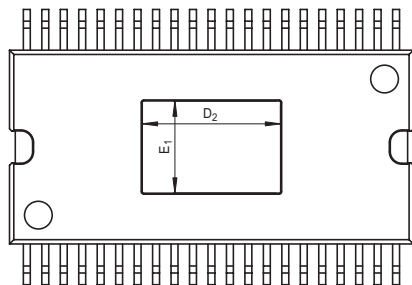
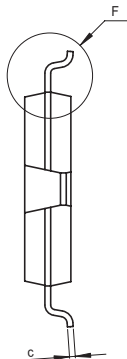
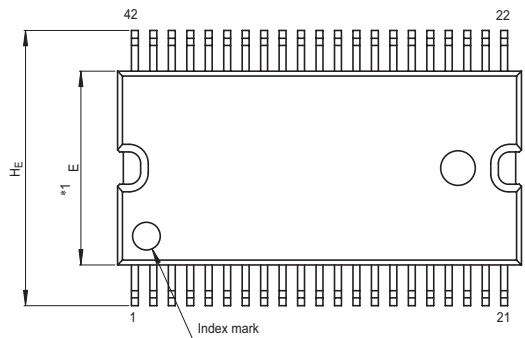


JEITA Package Code  
P-HSSOP42-8.4x17.5-0.80

RENESAS Code  
PRSP0042GB-E

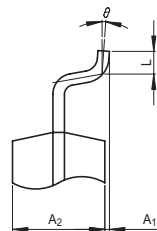
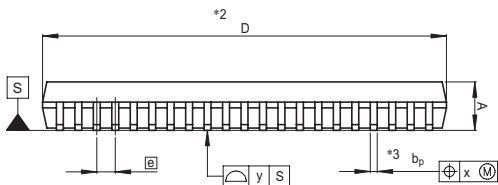
Previous Code  
42P9R-E

MASS[Typ.]  
0.7g



NOTE)

1. DIMENSIONS  $*1$ " AND  $*2$ " DO NOT INCLUDE MOLD FLASH.
2. DIMENSION  $*3$ " DOES NOT INCLUDE TRIM OFFSET.



Detail F

Reference Symbol	Dimension in Millimeters		
	Min	Nom	Max
D	17.3	17.5	17.7
E	8.2	8.4	8.6
A <sub>2</sub>	—	2.0	—
A	—	—	2.2
A <sub>1</sub>	0	0.1	0.2
b <sub>p</sub>	0.27	0.32	0.37
c	0.23	0.25	0.3
$\theta$	0°	—	10°
H <sub>E</sub>	11.63	11.93	12.23
$\ominus$	—	0.8	—
x	—	—	0.12
y	—	—	0.10
L	0.3	0.5	0.7
D <sub>2</sub>	5.8	6.0	6.2
E <sub>1</sub>	3.8	4.0	4.2