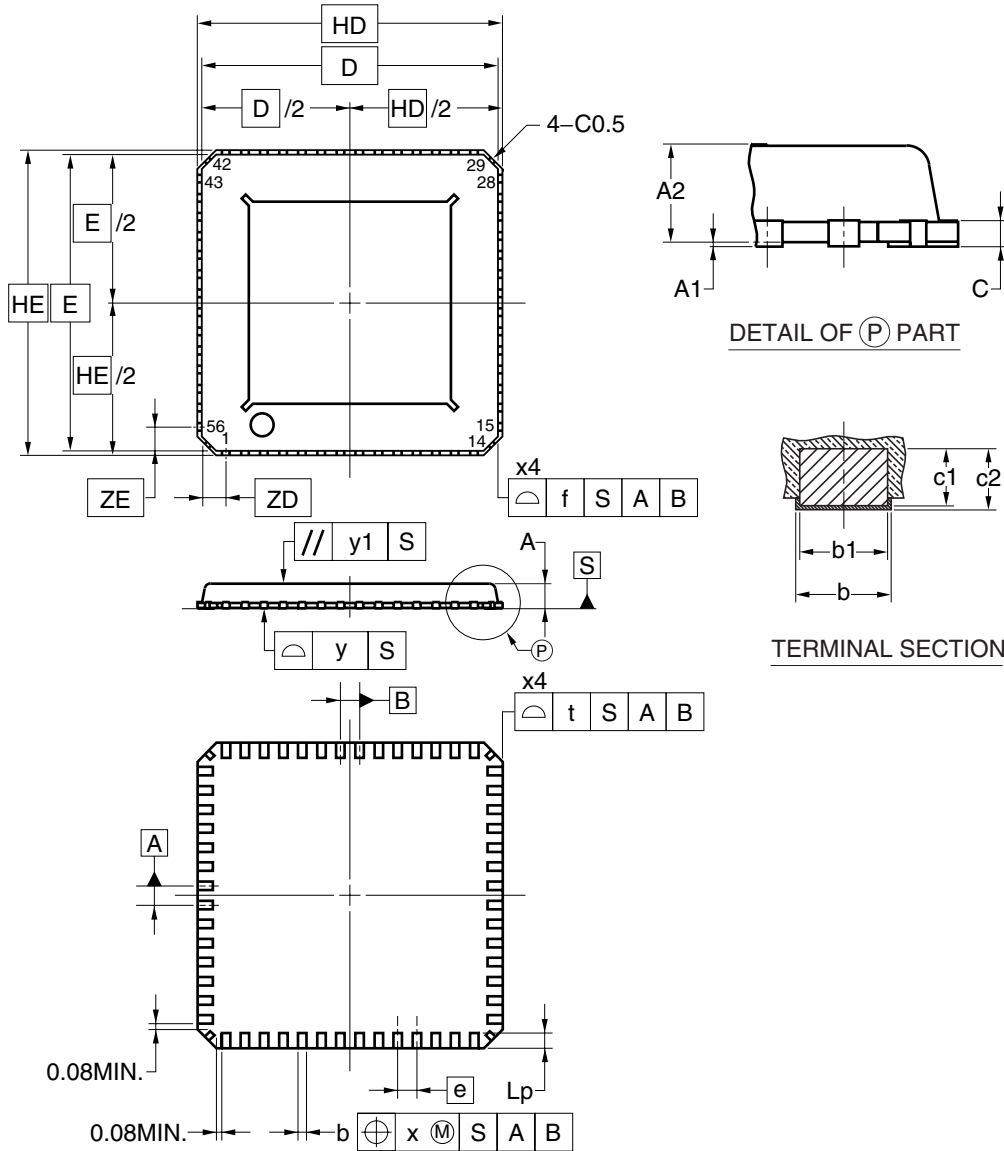


56-PIN PLASTIC WQFN (8x8)



(UNIT:mm)

ITEM	DIMENSIONS
D	7.75
E	7.75
f	0.20
HD	8.00
HE	8.00
t	0.20
A	0.67 ^{+0.08} _{-0.04}
A1	0.03 ^{+0.02} _{-0.025}
A2	0.64
b	0.23±0.05
b1	0.20±0.03
c	0.17
c1	0.14-0.16
c2	0.14-0.20
e	0.50
Lp	0.40±0.10
x	0.05
y	0.08
y1	0.10
ZD	0.625
ZE	0.625

- NOTES**
- ※1 "t" AND "f" EXCLUDES MOLD FLASH
 - ※2 ALTHOUGH THERE ARE 4 TERMINALS IN THE CORNER PART OF A PACKAGE, THESE TERMINALS ARE NOT DESIGNED FOR INTERCONNECTION, BUT FOR MANUFACTURING PROCESS OF THE PACKAGE. THEREFOR DO NOT INTEND TO SOLDER THESE 4 TERMINALS, SOLDERABILITY OF THE 4 TERMINALS ARE NOT GUARANTEED.

P56K9-50-9B4