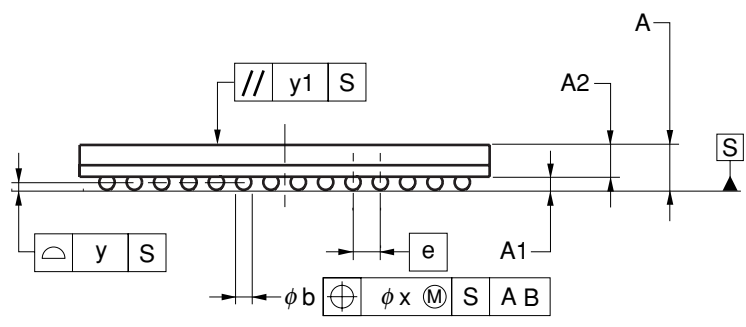
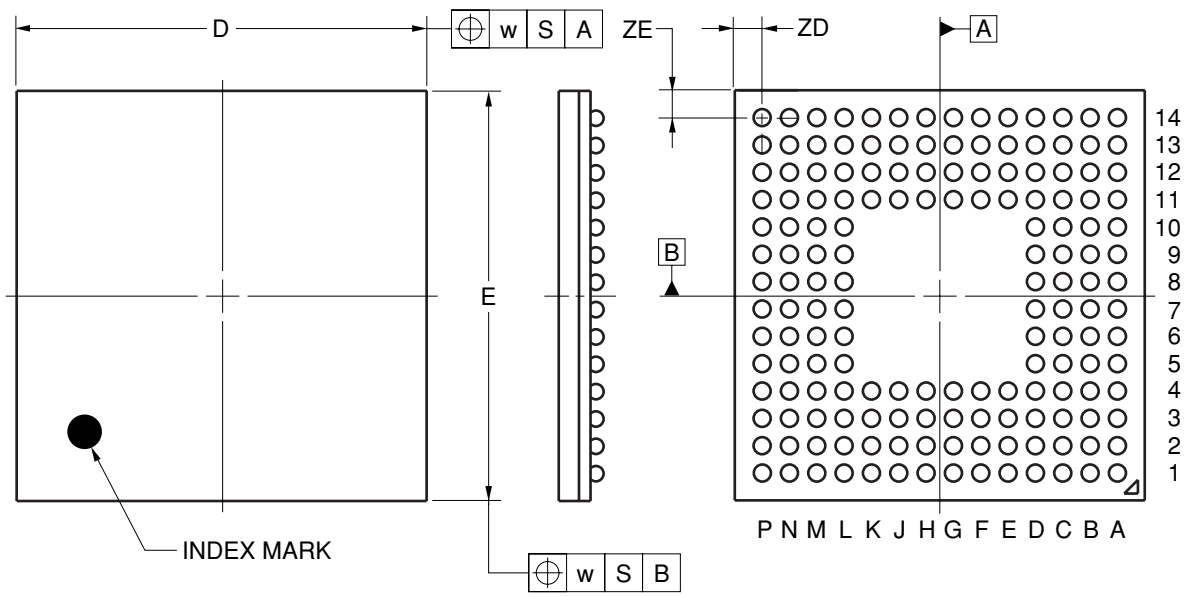


160-PIN PLASTIC FBGA (12x12)



(UNIT:mm)

| ITEM | DIMENSIONS |
|------|--|
| D | 12.00±0.10 |
| E | 12.00±0.10 |
| w | 0.20 |
| A | 1.28±0.10 |
| A1 | 0.35±0.06 |
| A2 | 0.93 |
| e | 0.80 |
| b | 0.50 ^{+0.05} _{-0.10} |
| x | 0.08 |
| y | 0.10 |
| y1 | 0.20 |
| ZD | 0.80 |
| ZE | 0.80 |

P160F1-80-EA7