

JEITA Package Code

RENESAS Code

Previous Code

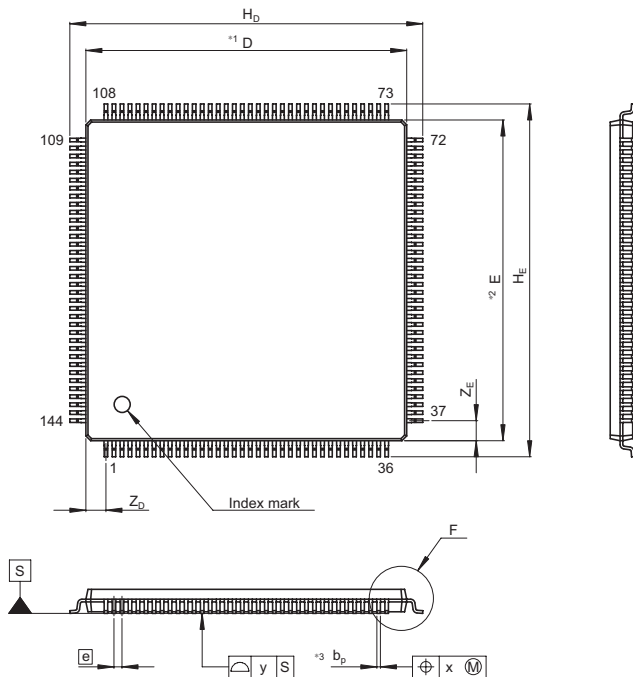
MASS[Typ.]

P-LFQFP144-20x20-0.50

PLQP0144KB-A

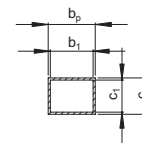
FP-144F/FP-144FV

1.4g

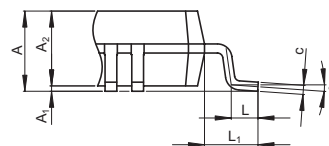


NOTE)

1. DIMENSIONS "1" AND "2" DO NOT INCLUDE MOLD FLASH
2. DIMENSION "3" DOES NOT INCLUDE TRIM OFFSET.



Terminal cross section



Detail F

Reference Symbol	Dimension in Millimeters		
	Min	Nom	Max
D	—	20	—
E	—	20	—
A <sub>2</sub>	—	1.40	—
H <sub>D</sub>	21.8	22.0	22.2
H <sub>E</sub>	21.8	22.0	22.2
A	—	—	1.70
A <sub>1</sub>	0.00	0.10	0.20
b <sub>p</sub>	0.17	0.22	0.27
b <sub>1</sub>	—	0.20	—
c	0.12	0.17	0.22
c <sub>1</sub>	—	0.15	—
$\theta$	0°	—	8°
[e]	—	0.5	—
x	—	—	0.08
y	—	—	0.10
Z <sub>D</sub>	—	1.25	—
Z <sub>E</sub>	—	1.25	—
L	0.4	0.5	0.6
L <sub>1</sub>	—	1.0	—