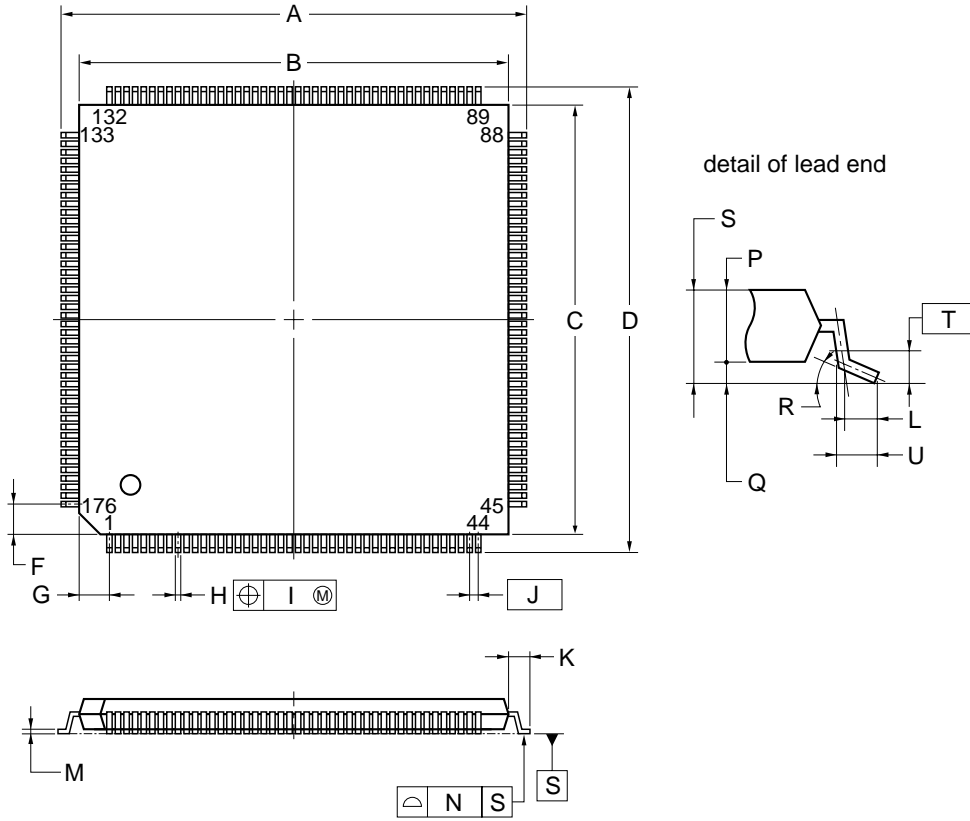


176-PIN PLASTIC LQFP (FINE PITCH) (20x20)



NOTE

Each lead centerline is located within 0.10 mm of its true position (T.P.) at maximum material condition.

ITEM	MILLIMETERS
A	22.00±0.20
B	20.00±0.20
C	20.00±0.20
D	22.00±0.20
F	1.40
G	1.40
H	0.18±0.05
I	0.10
J	0.40 (T.P.)
K	1.00±0.20
L	0.50
M	0.145±0.05
N	0.10
P	1.40 ^{+0.10} _{-0.05}
Q	0.125±0.075
R	3° ^{+5°} _{-3°}
S	1.70 MAX.
T	0.25
U	0.60±0.15

S176GJ-40-8EV-1