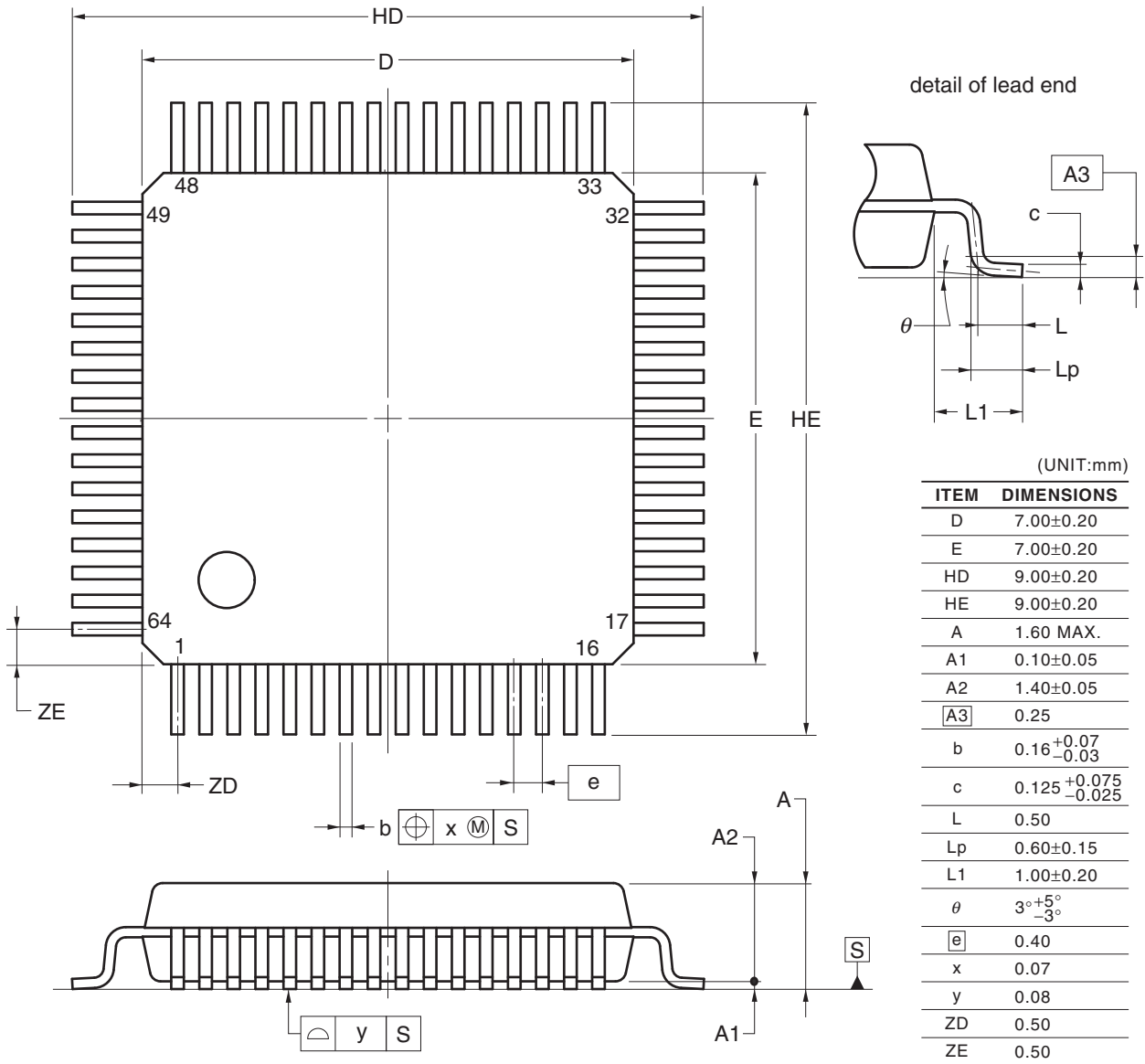


JEITA Package Code	RENESAS Code	Previous Code	MASS (TYP.) [g]
P-LFQFP64-7x7-0.40	PLQP0064LA-B	P64GA-40-GAN-2	0.17



NOTE
Each lead centerline is located within 0.07 mm of its true position at maximum material condition.