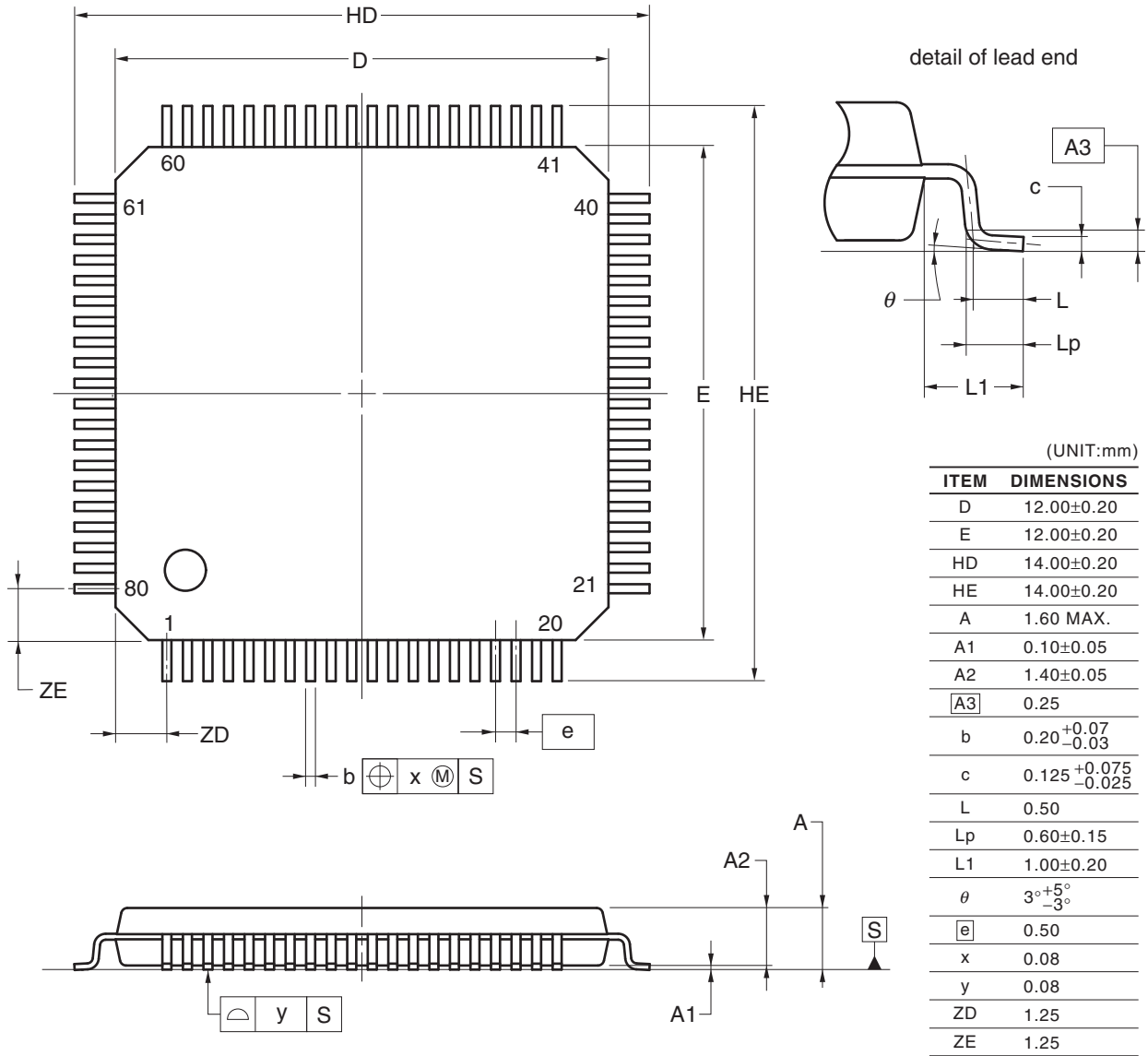


JEITA Package Code	RENESAS Code	Previous Code	MASS (TYP.) [g]
P-LFQFP80-12x12-0.50	PLQP0080KE-B	P80GK-50-GAK-2	0.53



NOTE
Each lead centerline is located within 0.08 mm of its true position at maximum material condition.