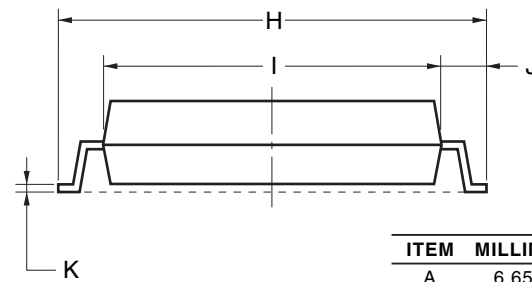
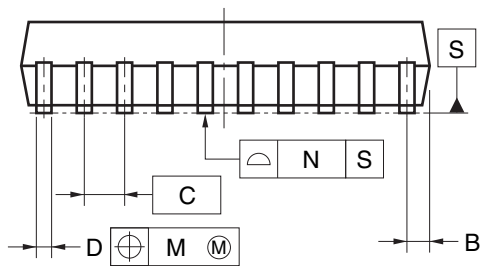
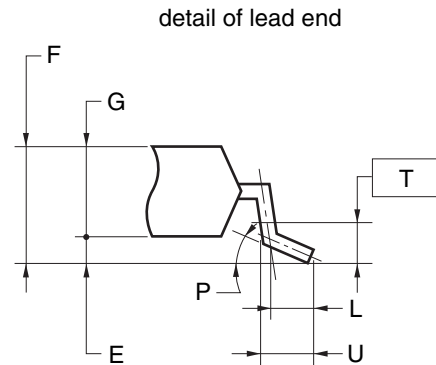
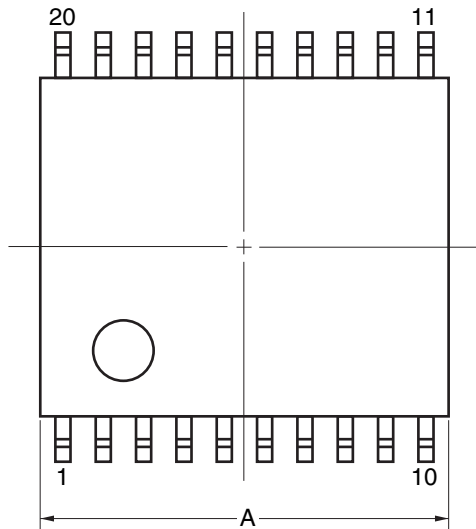


JEITA Package Code	RENESAS Code	Previous Code	MASS (TYP.) [g]
P-LSSOP20-0300-0.65	PLSP0020JC-A	S20MC-65-5A4-3	0.12

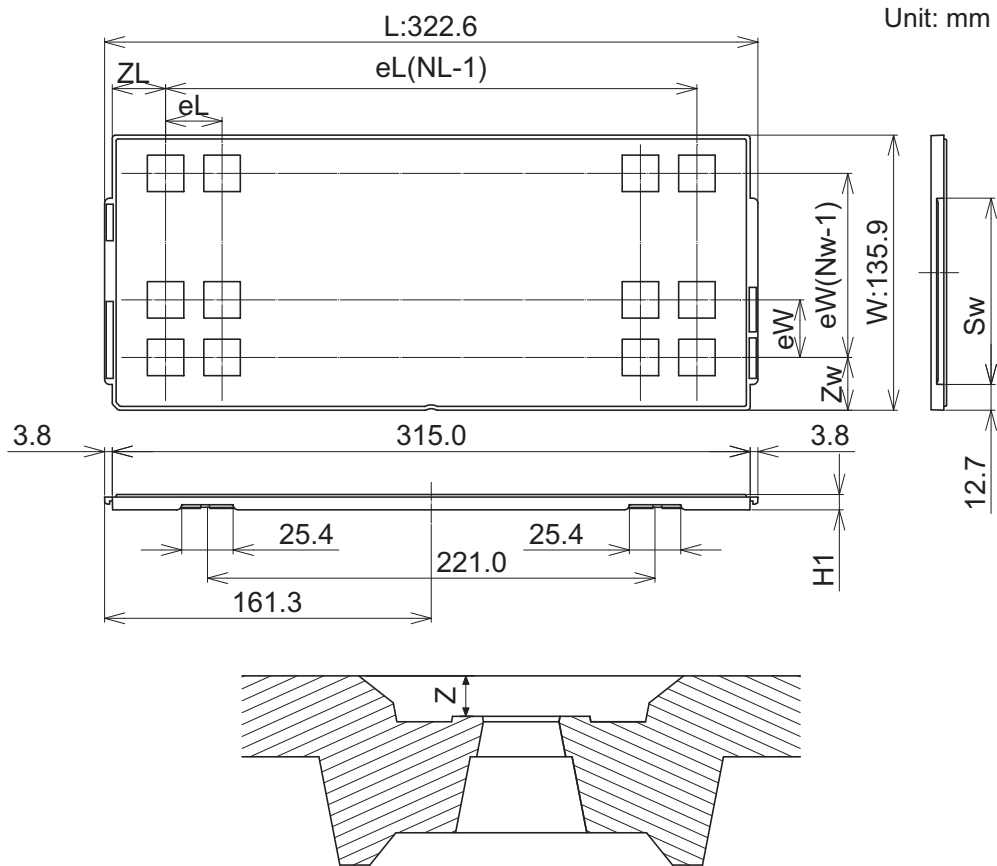


NOTE

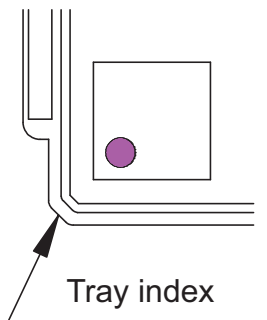
Each lead centerline is located within 0.13 mm of its true position (T.P.) at maximum material condition.

ITEM	MILLIMETERS
A	6.65±0.15
B	0.475 MAX.
C	0.65 (T.P.)
D	0.24 ^{+0.08} _{-0.07}
E	0.1±0.05
F	1.3±0.1
G	1.2
H	8.1±0.2
I	6.1±0.2
J	1.0±0.2
K	0.17±0.03
L	0.5
M	0.13
N	0.10
P	3° ^{+5°} _{-3°}
T	0.25
U	0.6±0.15

**Packing Specification
Tray Outline Drawing
300mil20pSSOP**



The pin1 is located in the hatching portion.



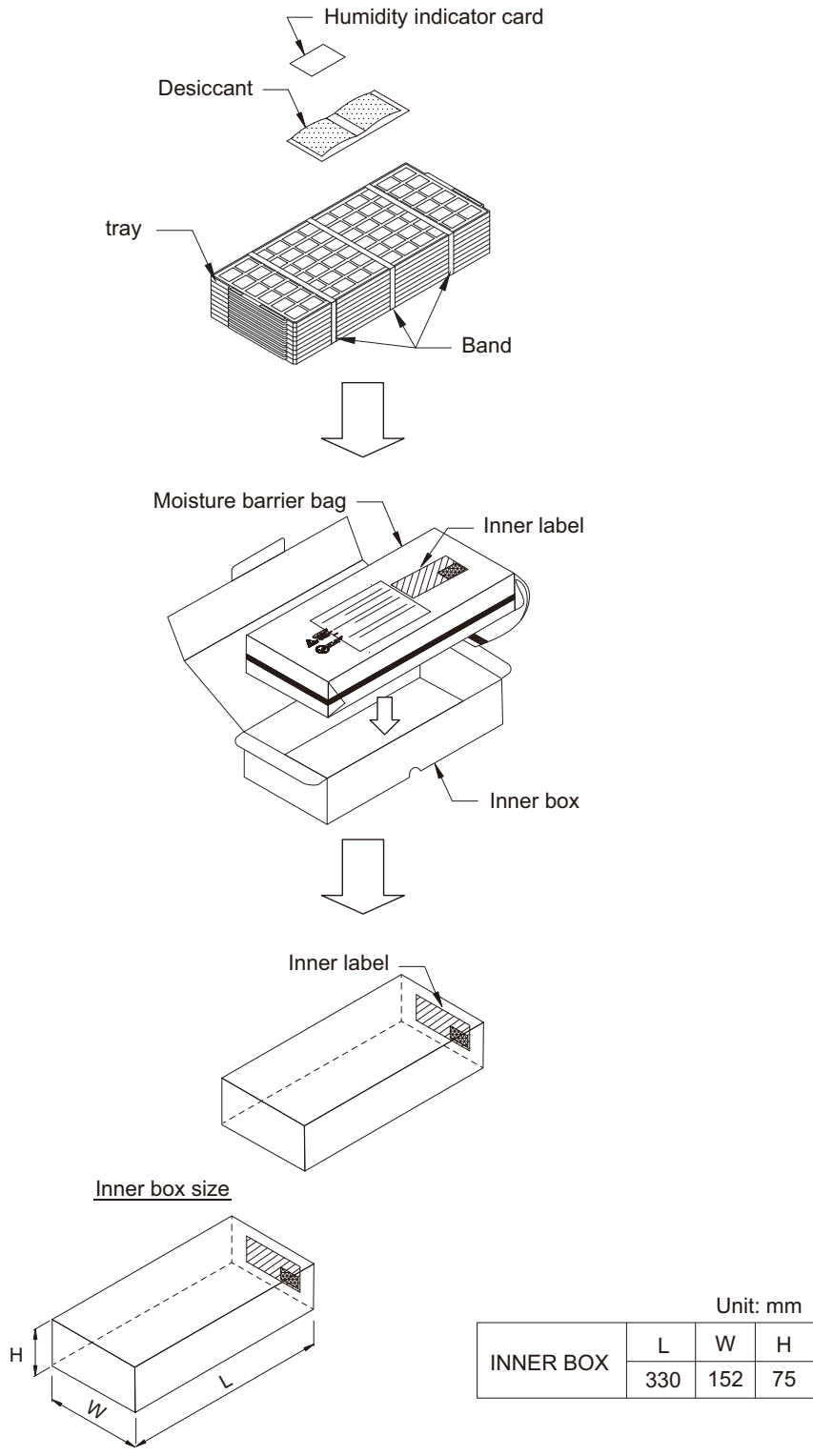
Tray Code		300mil20pSSOP
Position dimension of cells	Z	2.35
	Zw	10.58
	ZL	17.20
	eW	12.75
	eL	12.20
	Sw	92.1
Thickness (mm)	H1	7.62
Number of cells	Nw	10
	NL	24
Maximum storage pcs. IC/Tray		240
Maximum storage pcs. IC/Inner box		1920
Material		Carbon PPE
Heat resistant temperature		135°C MAX
JEDEC or Custom		JEDEC
Surface resistance		Less than $1 \times 10^{11} \Omega/\square$

RDK-H-000840

Packing Specification

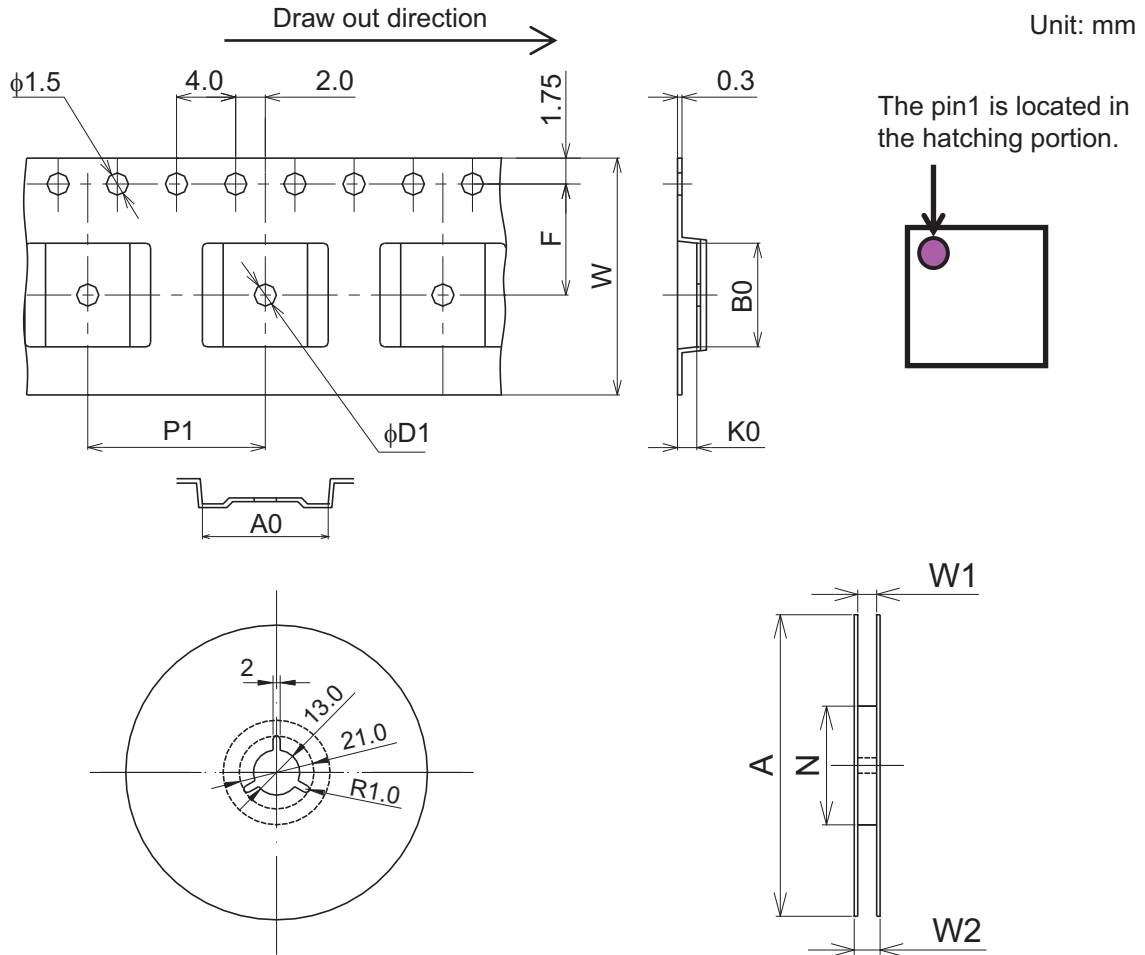
Tray Packing

(Tray dry pack)



H-000531

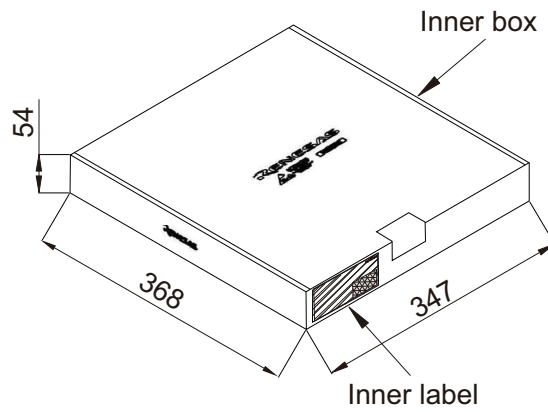
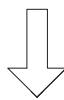
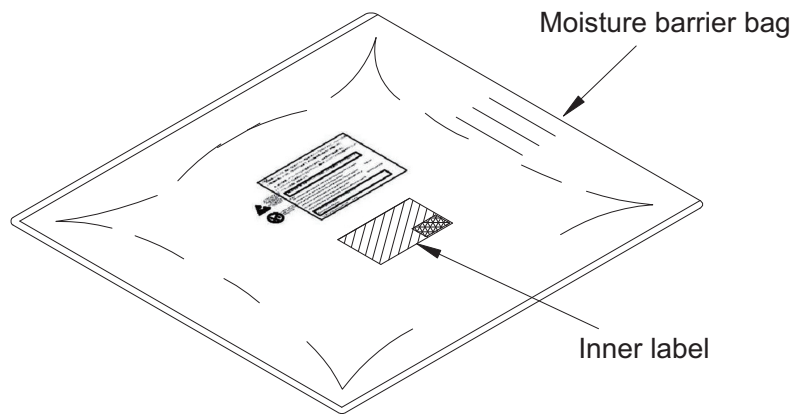
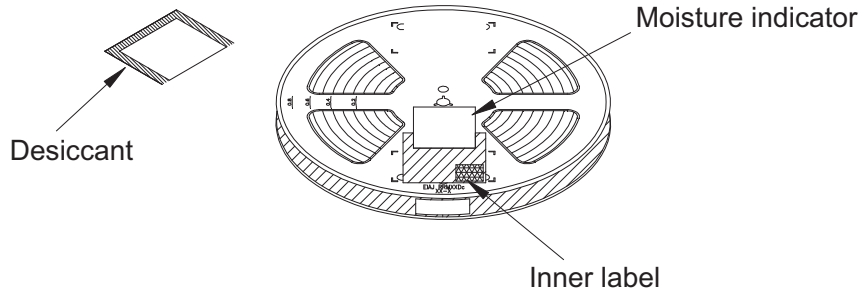
Packing Specification
Tape & Reel Outline Drawing
E16 * 12-06CA



Tape Code		E16 * 12-06CA
Tape Dimensions (mm)	W	16.0
	P1	12.0
	A0	8.5
	B0	7.0
	K0	1.3
	F	7.5
	D1	1.5
Reel Dimensions (mm)	A	330
	N	100
	W1	17.5
	W2	21.5
Maximum storage Pcs. IC/ Reel		2500
Material		Carbon PS
Surface resistance		Less than $1 \times 10^{11} \Omega/\square$

RDK-H-001669

**Packing Specification
Tape & Reel Packing
(Tape dry pack)**



RDK-H-000152

© 2017 Renesas Electronics Corporation. All rights reserved.