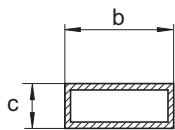
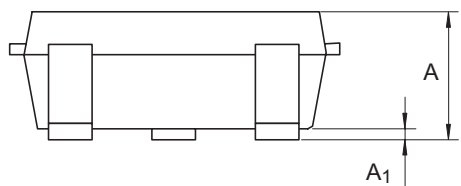
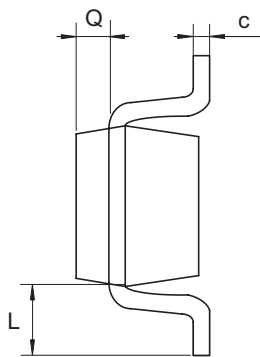
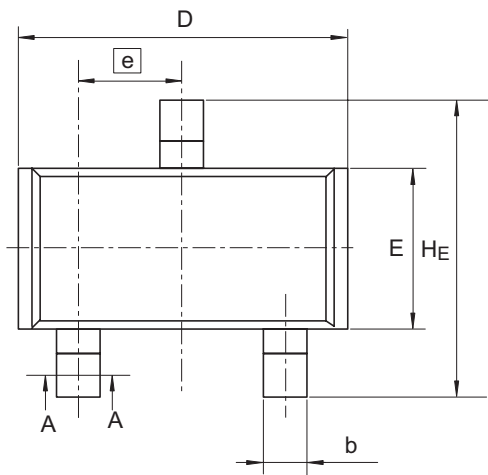
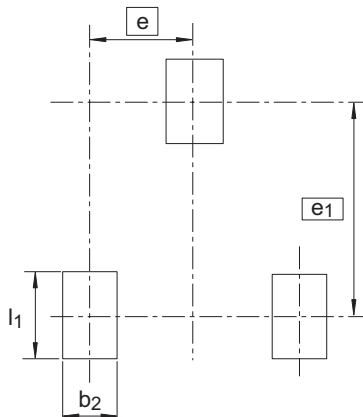


Package Name	JEITA Package Code	RENESAS Code	Previous Code	MASS[Typ.]
MPAK	SC-59A	PLSP0003ZC-A	MPAK(D) / MPAK(D)V	0.011g



A — A Section



Pattern of terminal position areas

Reference Symbol	Dimension in Millimeters		
	Min	Nom	Max
A	1.0	-	1.3
A ₁	0	-	0.1
b	0.35	0.4	0.5
c	0.1	0.16	0.26
D	2.7	-	3.1
E	1.35	1.5	1.65
e	-	0.95	-
H _E	2.2	2.8	3.0
L	-	0.65	-
b ₂	-	-	0.55
e ₁	-	1.95	-
l ₁	-	-	1.05
Q	-	0.3	-