

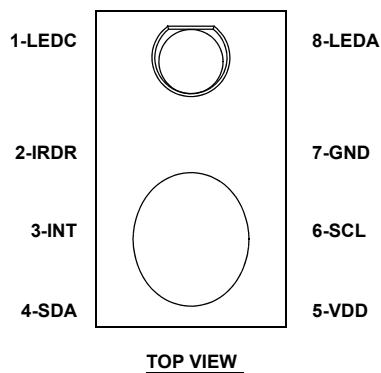
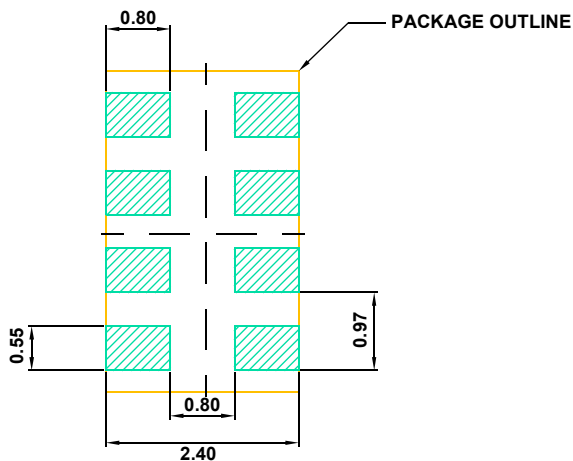
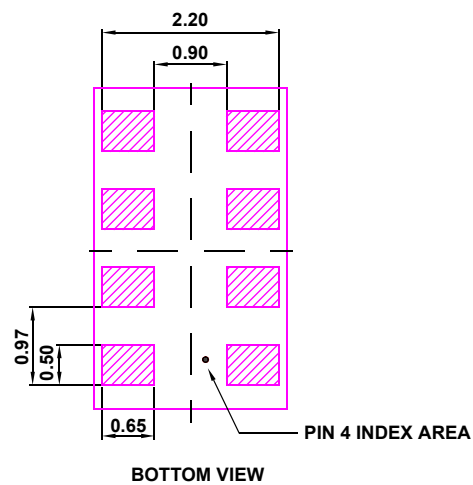
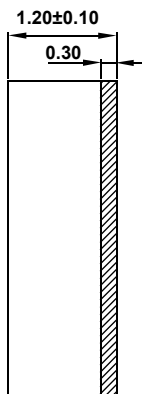
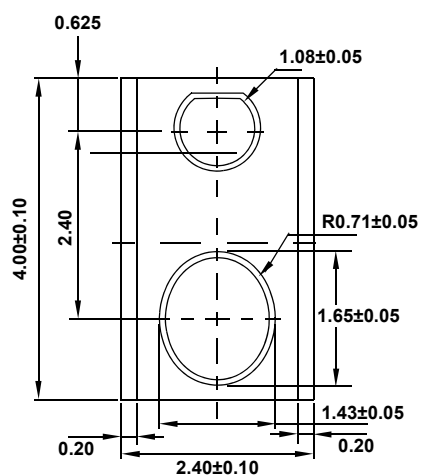
Plastic Packages for Integrated Circuits

Package Outline Drawing

L8.2.40x4

8 LEAD OPTICAL CO-PACKAGE

Rev 5, 12/13



NOTES:

1. Dimensions are in millimeters.
Dimensions in () for Reference Only.
2. Dimensioning and tolerancing conform to ASME Y14.5m-1994.
3. Unless otherwise specified, tolerance: Decimal ± 0.05
4. Pin #4 identifier is a laser-etched dot on bottom surface.