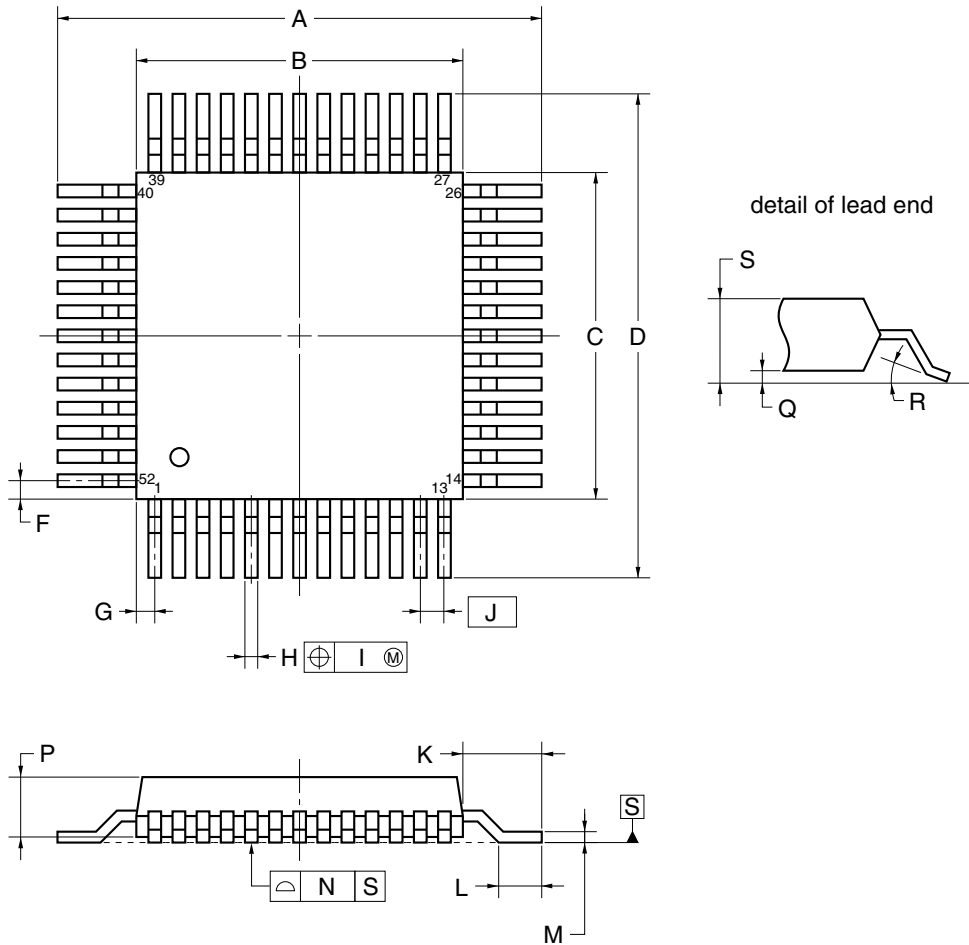


52-PIN PLASTIC QFP (14x14)



NOTE

Each lead centerline is located within 0.20 mm of its true position (T.P.) at maximum material condition.

ITEM	MILLIMETERS
A	17.6±0.4
B	14.0±0.2
C	14.0±0.2
D	17.6±0.4
F	1.0
G	1.0
H	0.40±0.10
I	0.20
J	1.0 (T.P.)
K	1.8±0.2
L	0.8±0.2
M	0.15 ^{+0.10} _{0.05}
N	0.10
P	2.6
Q	0.1±0.1
R	5°±5°
S	3.0 MAX.

P52GC-100-AB6-5