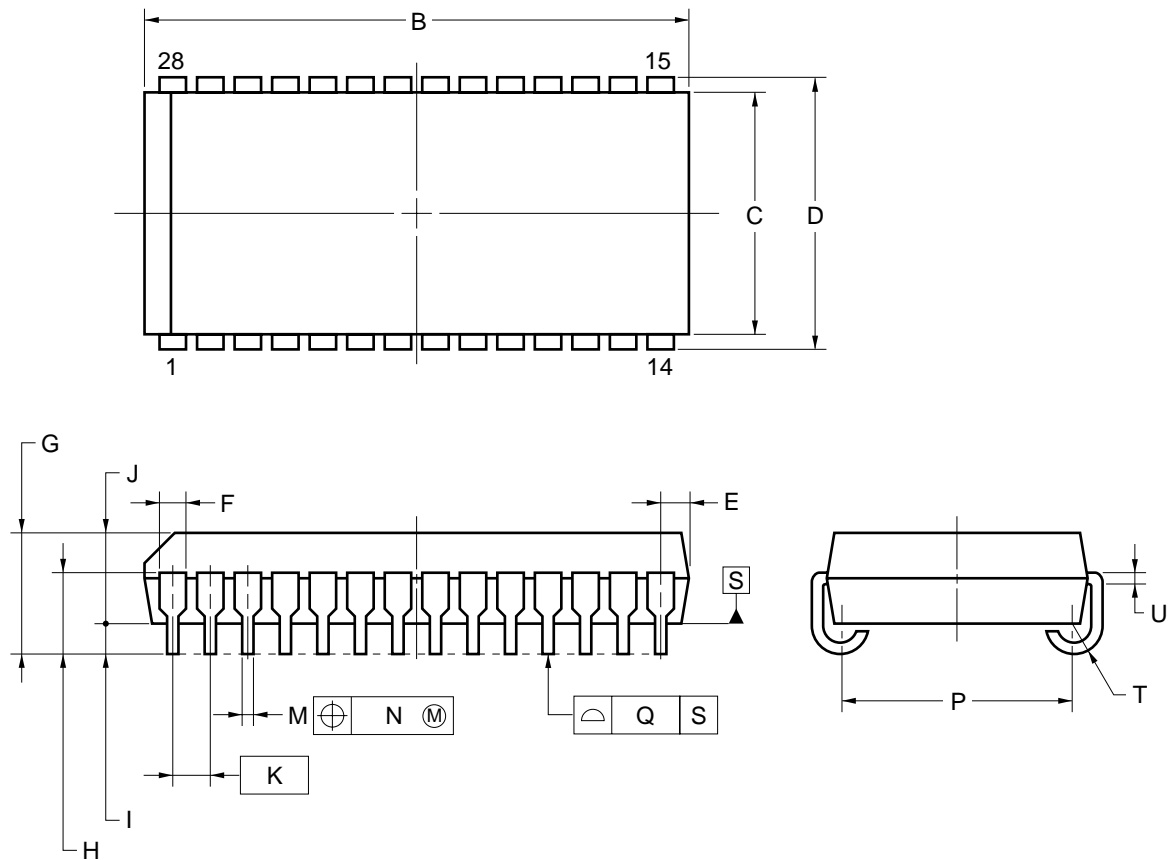


28-PIN PLASTIC SOJ (10.16mm(400))



NOTE

Each lead centerline is located within 0.12 mm of its true position (T.P.) at maximum material condition.

| ITEM | MILLIMETERS |
|------|--|
| B | 18.67 ^{+0.2} _{-0.35} |
| C | 10.16 |
| D | 11.18±0.2 |
| E | 1.08±0.15 |
| F | 0.74 |
| G | 3.5±0.2 |
| H | 2.545±0.2 |
| I | 0.8 MIN. |
| J | 2.6 |
| K | 1.27(T.P.) |
| M | 0.40±0.10 |
| N | 0.12 |
| P | 9.40±0.20 |
| Q | 0.10 |
| T | R0.85 |
| U | 0.20 ^{+0.10} _{-0.05} |

P28LE-400A1-1