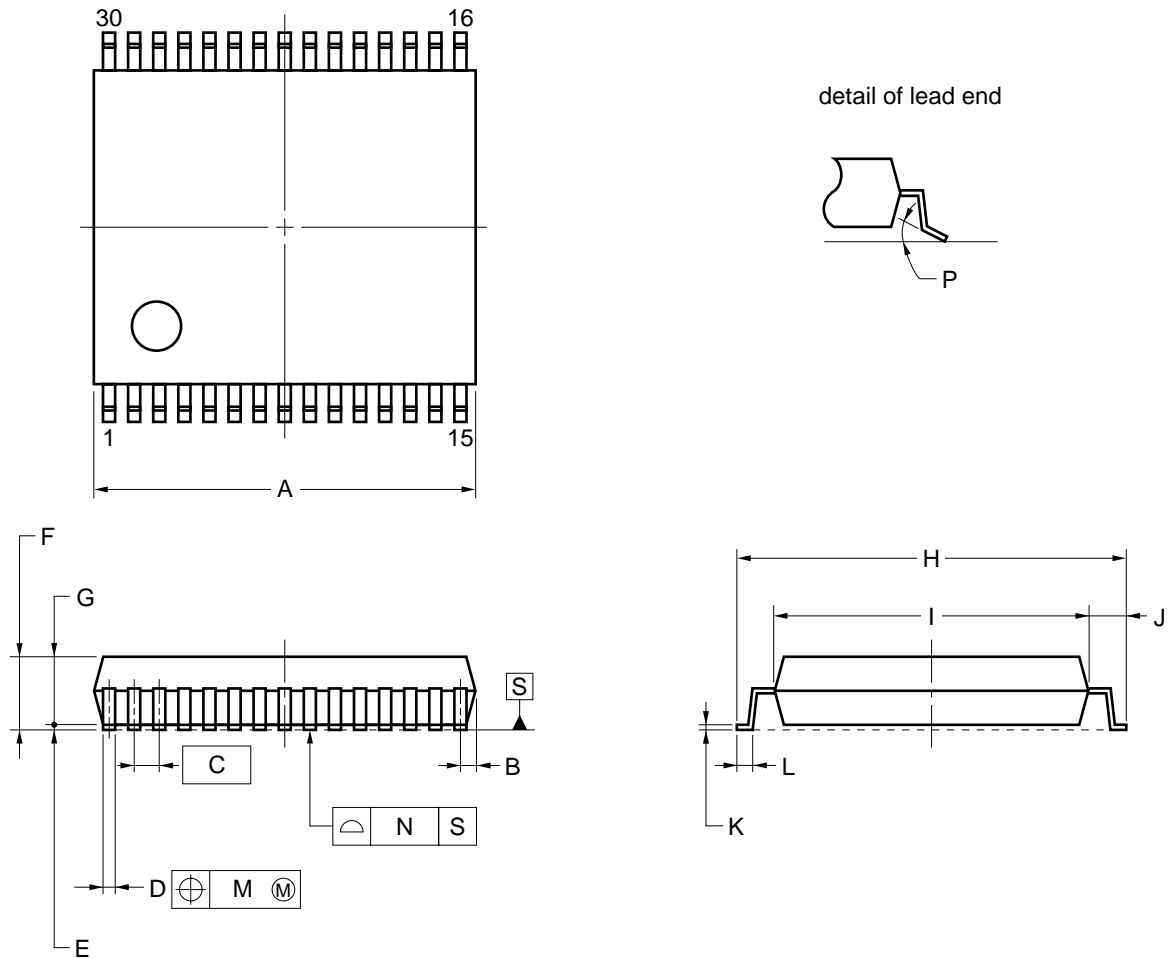


30-PIN PLASTIC SSOP (9.53 mm (375))



NOTE

Each lead centerline is located within 0.10 mm of its true position (T.P.) at maximum material condition.

ITEM	MILLIMETERS
A	10.11 MAX.
B	0.51 MAX.
C	0.65 (T.P.)
D	0.30±0.10
E	0.125±0.075
F	2.0 MAX.
G	1.7±0.1
H	10.0±0.2
I	8.0±0.2
J	1.0±0.2
K	0.15 ^{+0.10} _{-0.05}
L	0.5±0.2
M	0.10
N	0.10
P	3° ^{+7°} _{-3°}

S30GT-65-375B-1