

JEITA Package Code

RENESAS Code

Previous Code

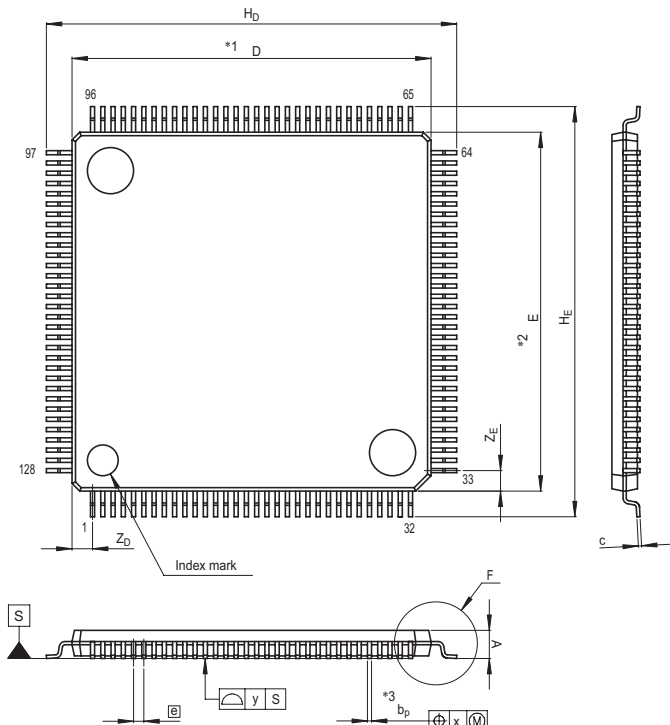
MASS[Typ.]

P-TFQFP128-14x14-0.40

PTQP0128LA-A

128PFB-A

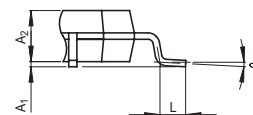
0.5g



NOTE)

1. DIMENSIONS "*1" AND "*2" DO NOT INCLUDE MOLD FLASH.
2. DIMENSION "*3" DOES NOT INCLUDE TRIM OFFSET.

Reference Symbol	Dimension in Millimeters		
	Min	Nom	Max
D	13.9	14.0	14.1
E	13.9	14.0	14.1
A ₂	—	1.0	—
H _D	15.8	16.0	16.2
H _E	15.8	16.0	16.2
A	—	—	1.2
A ₁	0.05	0.1	0.15
b _p	0.13	0.18	0.23
c	0.09	0.145	0.20
θ	0°	—	8°
Ⓢ	—	0.4	—
x	—	—	0.07
y	—	—	0.08
Z _D	—	0.8	—
Z _E	—	0.8	—
L	0.4	0.5	0.6



Detail F