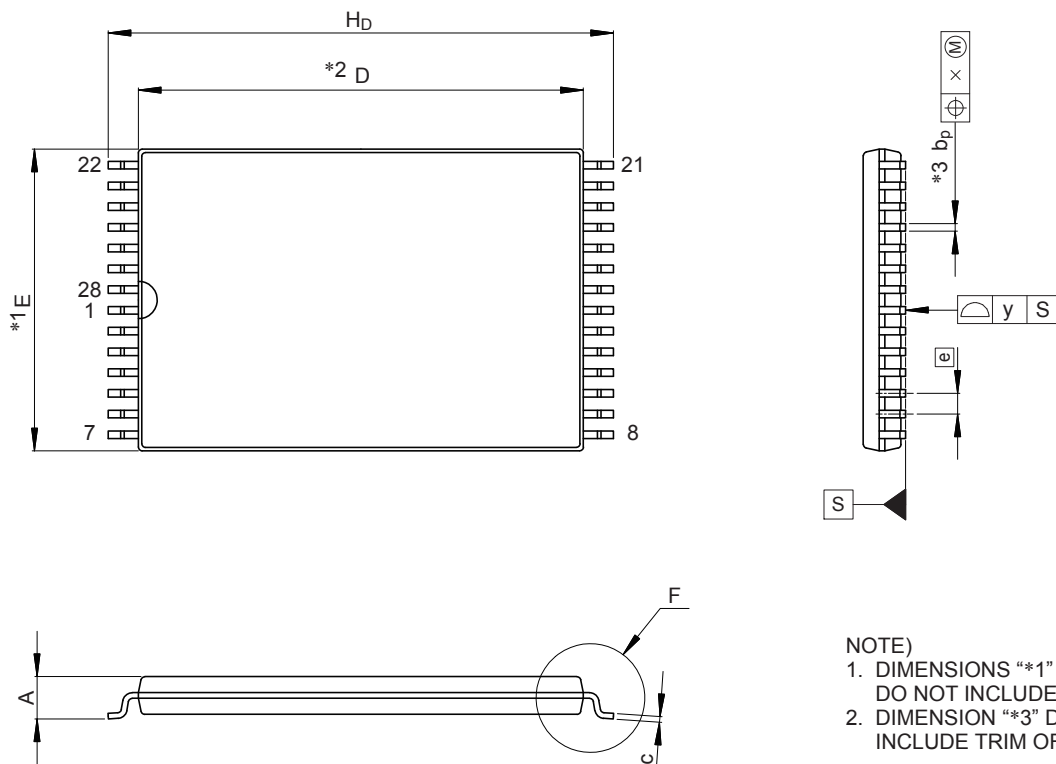
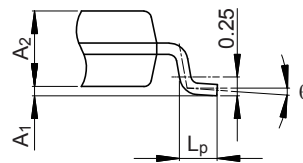


JEITA Package Code	RENESAS Code	Previous Code	MASS (Typ) [g]
P-TSOP(1)28-8x11.8-0.55	PTSA0028ZD-A	—	0.23

Unit: mm



- NOTE)
1. DIMENSIONS “*1” AND “*2” DO NOT INCLUDE MOLD FLASH.
 2. DIMENSION “*3” DOES NOT INCLUDE TRIM OFFSET.



Detail F

Reference Symbol	Dimensions in millimeters		
	Min	Nom	Max
D	11.7	11.8	11.9
E	7.9	8.0	8.1
A ₂	—	1.00	—
H _D	13.2	13.4	13.6
A	—	—	1.20
A ₁	0.05	0.125	0.20
b _p	0.15	0.20	0.30
c	0.13	0.15	0.21
θ	0°	—	10°
e	—	0.55	—
x	—	—	0.08
y	—	—	0.10
L _p	0.45	—	0.75