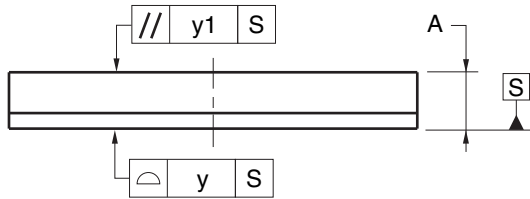
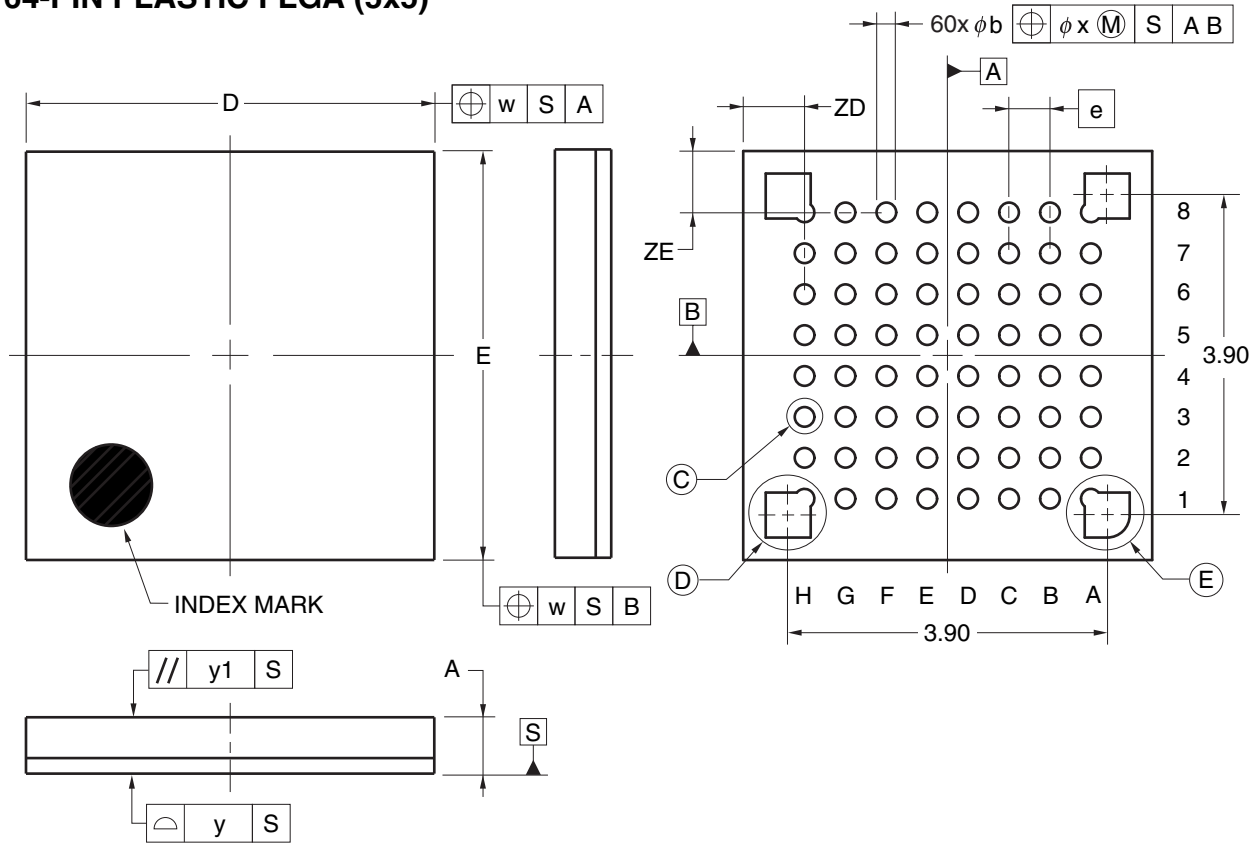
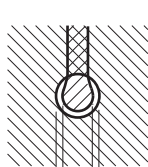


64-PIN PLASTIC FLGA (5x5)

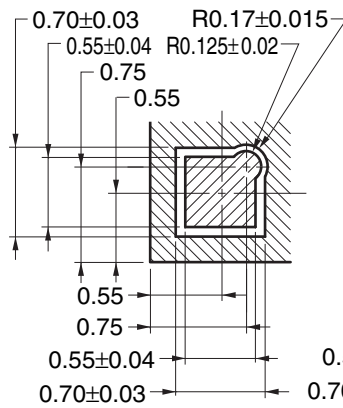


DETAIL (C)

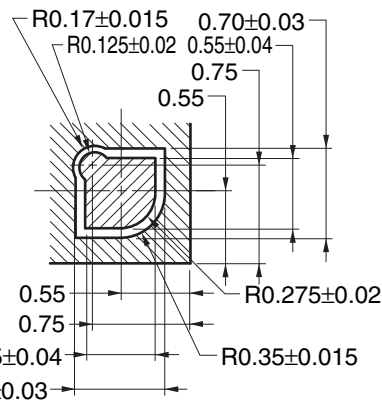


ϕb
(LAND PAD)
 $\phi 0.34 \pm 0.03$
(APERTURE OF
SOLDER RESIST)

DETAIL (D)



DETAIL (E)

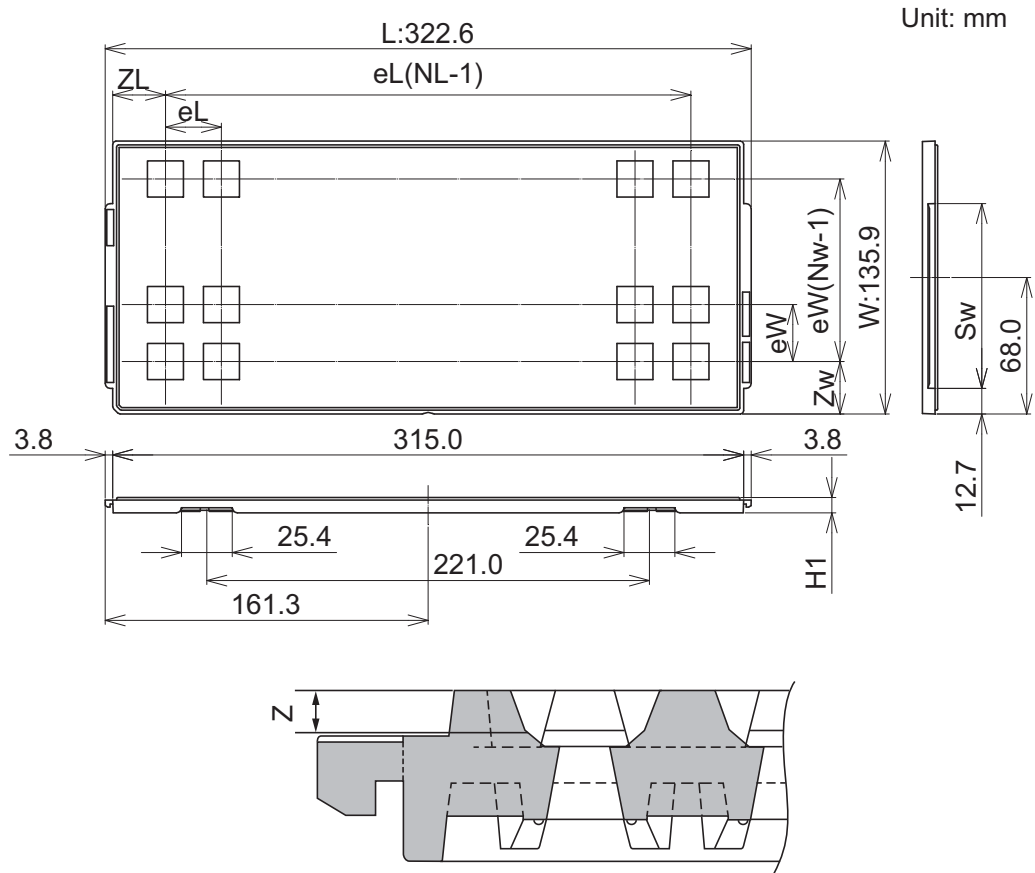


(UNIT:mm)

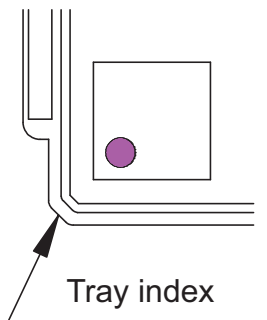
ITEM	DIMENSIONS
D	5.00 ± 0.10
E	5.00 ± 0.10
w	0.20
e	0.50
A	0.69 ± 0.07
b	0.25 ± 0.04
x	0.05
y	0.08
y1	0.20
ZD	0.75
ZE	0.75

P64FC-50-AN5

Packing Specification
Tray Outline Drawing
FBGA5x5ESP



The pin1 is located in the hatching portion.



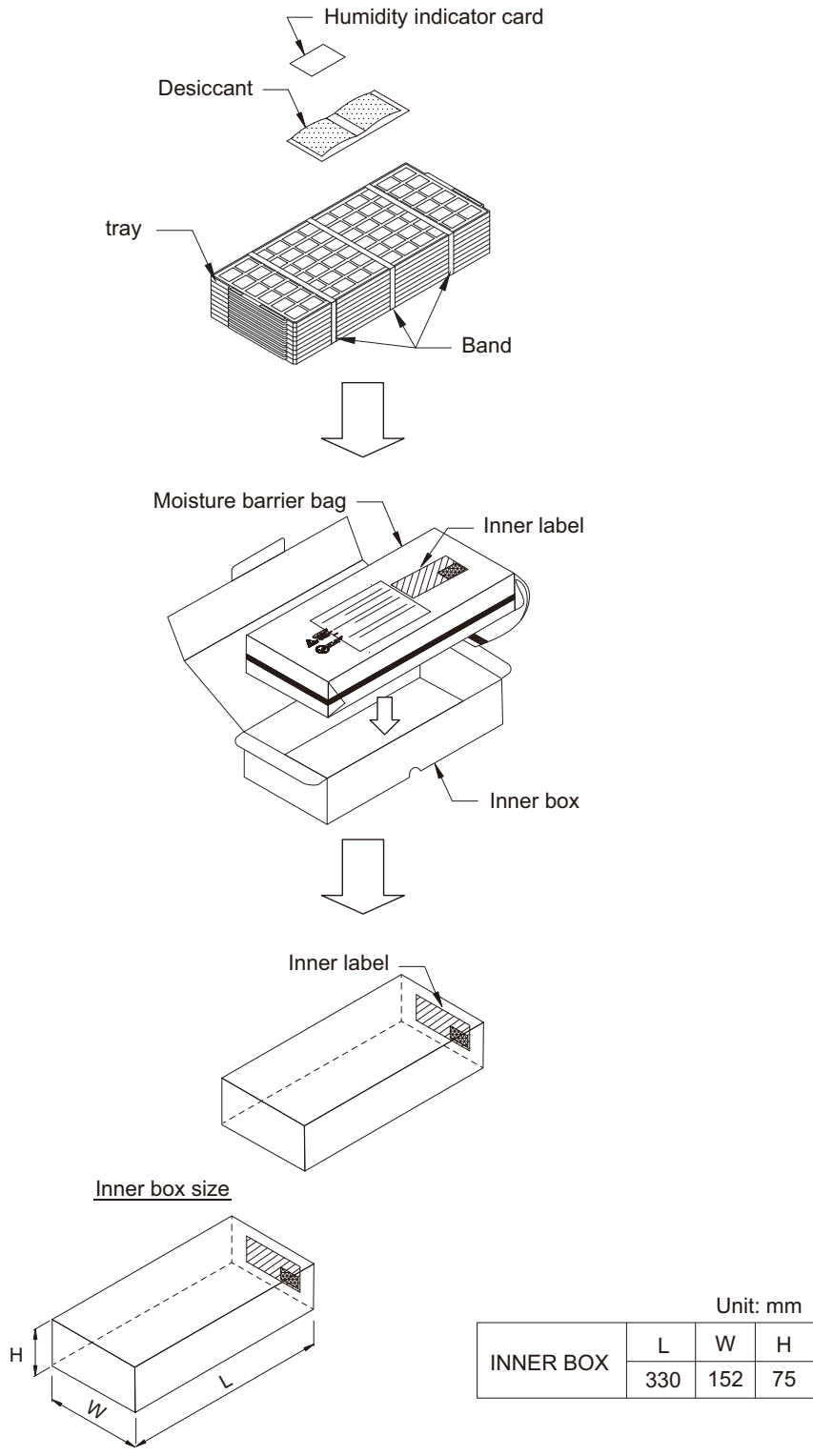
Tray Code		FBGA5x5ESP
Position dimension of cells	Z	1.83
	Zw	8.15
	ZL	7.90
	eW	9.20
	eL	8.80
	Sw	92.1
Thickness (mm)	H1	7.62
Number of cells	Nw	14
	NL	35
Maximum storage pcs. IC/Tray		490
Maximum storage pcs. IC/Inner box		3920
Material		Carbon PPE
Heat resistant temperature		135°C MAX
JEDEC or Custom		JEDEC
Surface resistance		Less than $1 \times 10^{11} \Omega/\square$

RDK-H-000597

Packing Specification

Tray Packing

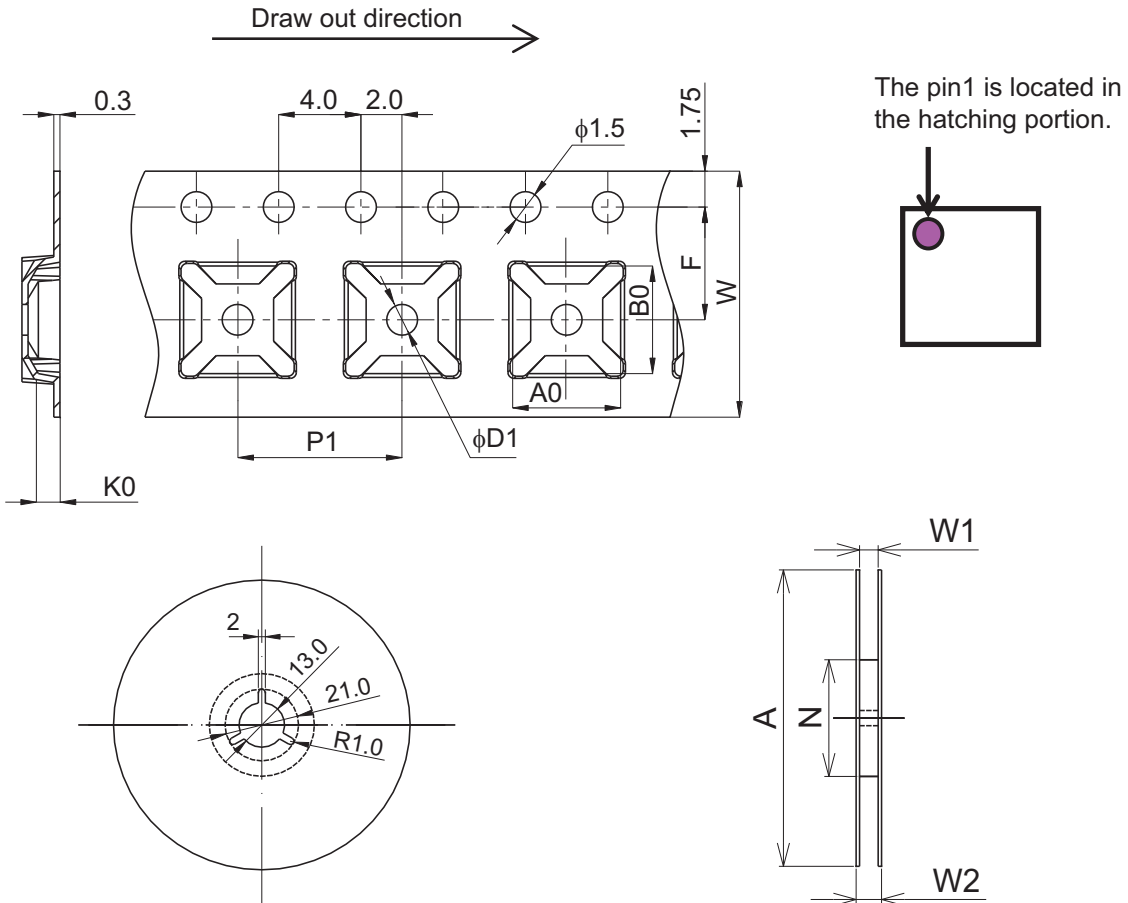
(Tray dry pack)



H-000531

Packing Specification
Tape & Reel Outline Drawing
E12 * 08-41CA

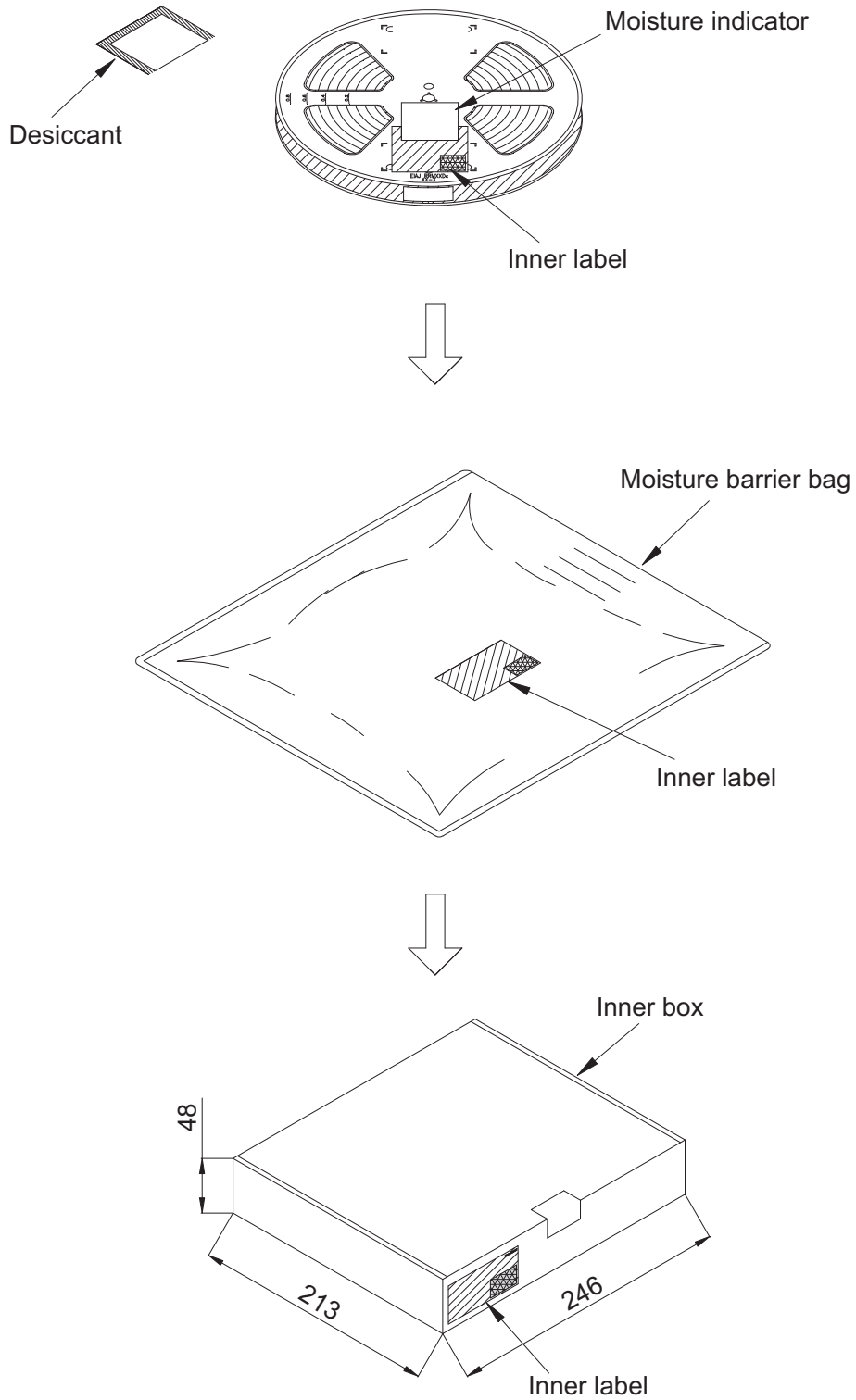
Unit: mm



Tape Code		E12 * 08-41CA
Tape Dimensions (mm)	W	12.0
	P1	8.0
	A0	5.25
	B0	5.25
	K0	1.06
	F	5.5
	D1	1.5
Reel Dimensions (mm)	A	180
	N	60
	W1	13.0
	W2	17.0
Maximum storage Pcs. IC/ Reel		1000
Material		Carbon PS
Surface resistance		Less than $1 \times 10^{11} \Omega/\square$

H-001675

Packing Specification
Tape & Reel Packing
(Tape dry pack)



H-000491