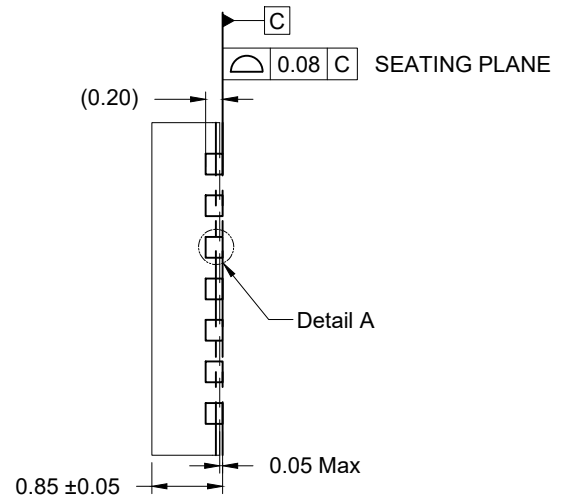
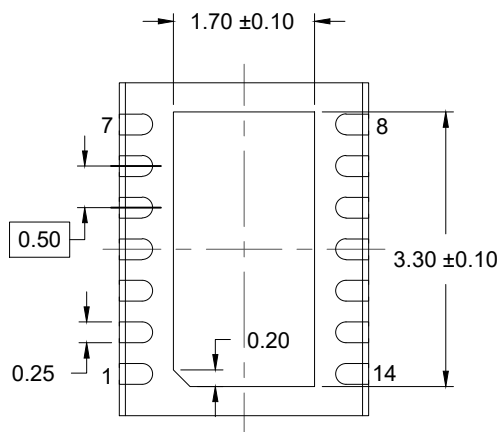


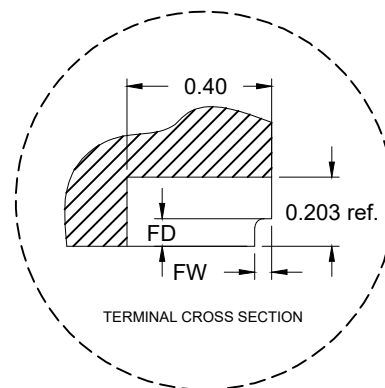
TOP VIEW



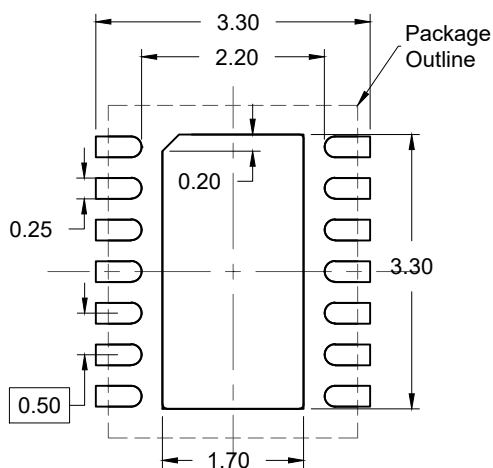
SIDE VIEW



BOTTOM VIEW



TERMINAL CROSS SECTION



RECOMMENDED LAND PATTERN
(PCB Top View, NSMD Design)

DETAIL A

Table 1: Dimensions of wettable flank (DETAIL A)

Symbol	Unit (mm)	
	MIN	MAX
FD	0.100	-
FW	0.001	0.075

NOTES:

1. JEDEC compatible.
2. All dimensions are in mm and angles are in degrees.
3. Use ± 0.05 mm for the non-toleranced dimensions.
4. Numbers in () are for references only.
5. Wettable flank (step cut).