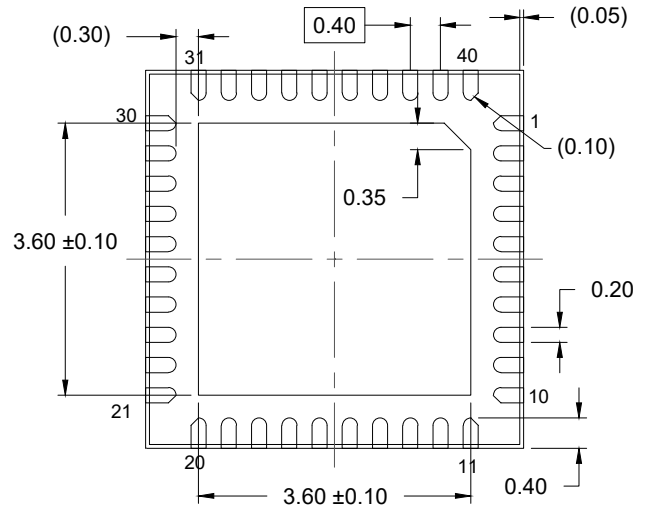
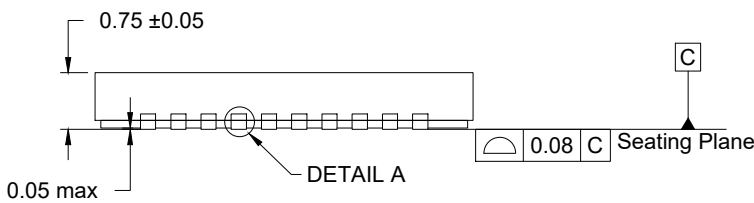


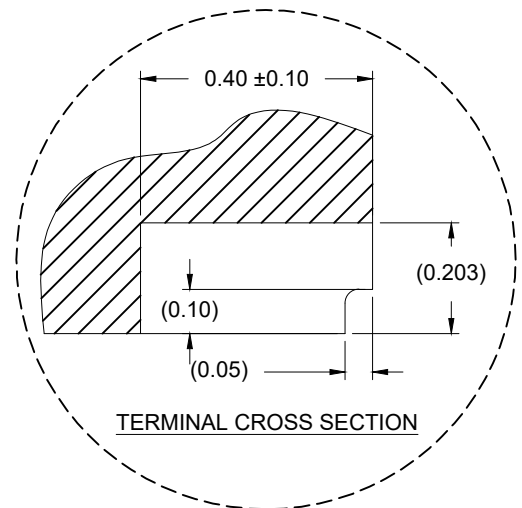
TOP VIEW



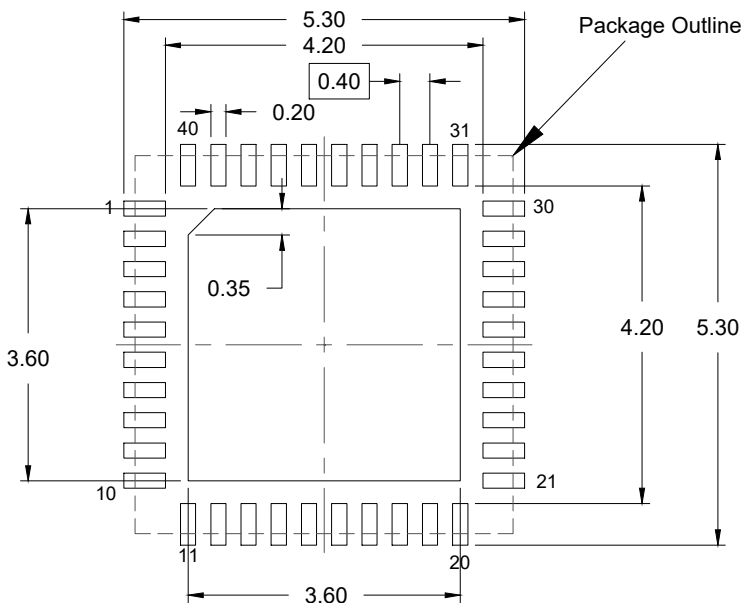
BOTTOM VIEW



SIDE VIEW



DETAIL A: WETTABLE FLANK OPTION



RECOMMENDED LAND PATTERN
 (PCB Top View, NSMD Design)

NOTES:

1. JEDEC compatible.
2. All dimensions are in mm and angles are in degrees.
3. Use ± 0.05 mm for the non-toleranced dimensions.
4. Numbers in () are for references only.