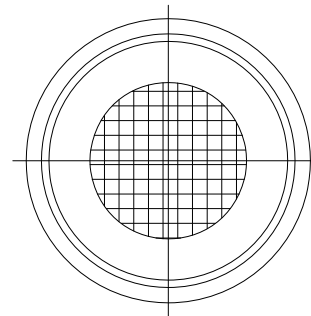
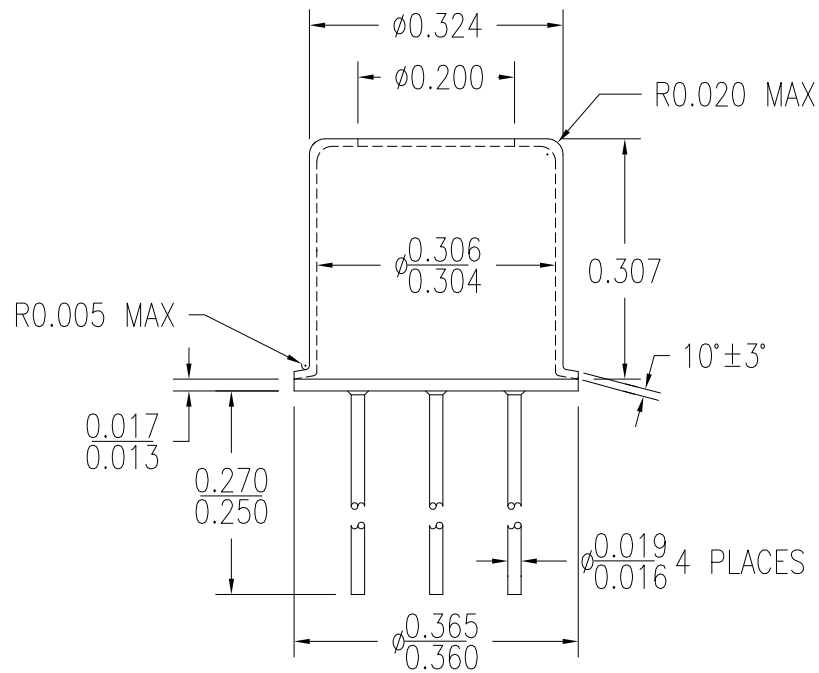
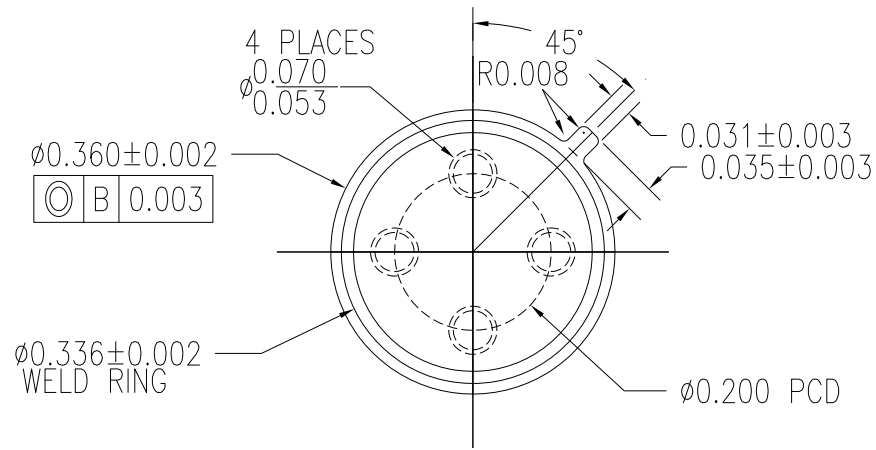



REVISIONS			
REV	DESCRIPTION	DATE	AUTHOR
00	INITIAL RELEASE	9/27/16	JH
01	UPDATE DRAWING	3/28/18	RC

NOTE: REFER TO DCP FOR OFFICIAL RELEASE DATE



NOTES:  
 1. ALL DIMENSIONS ARE IN INCH  
 2. PACKAGE IS OVER  $100^\circ\text{C}$  UNDER NORMAL OPERATION

TOLERANCES UNLESS SPECIFIED		 <b>www.IDT.com</b>	6024 Silver Creek Valley Rd San Jose, CA 95138 PHONE: (408) 284-8200 FAX: (408) 284-3572
DECIMAL	ANGULAR		
XX±	±		
XXX±			
XXXX±		TITLE T04 TRANSISTOR PACKAGE OUTLINE (T0-39)	
SIZE	DRAWING No.	REV	
C	PSC-4676	01	
DO NOT SCALE DRAWING			SHEET 1 OF 1