

IDT 5P49V5907 EVM BOARD

REV : 1

PAGE 01 : TITLE_PAGE

PAGE 02 : 5P49V5907 CONNECTION

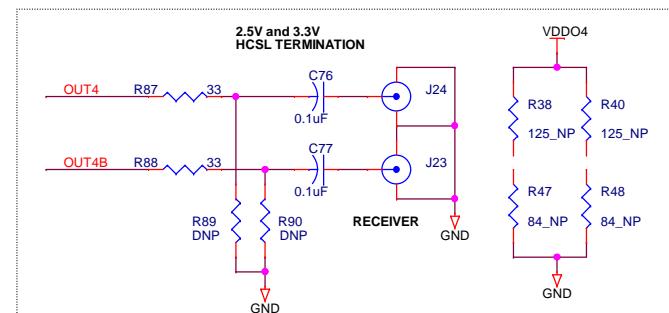
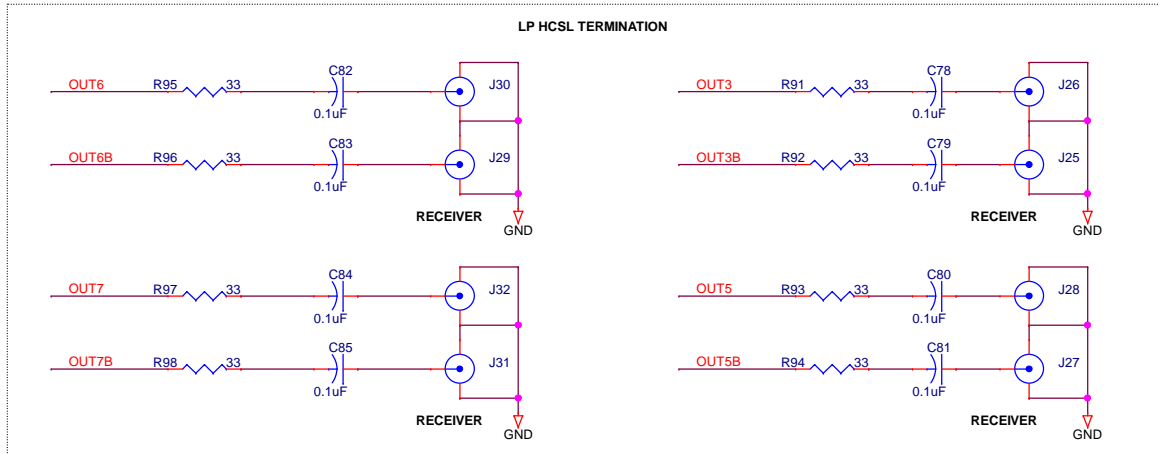
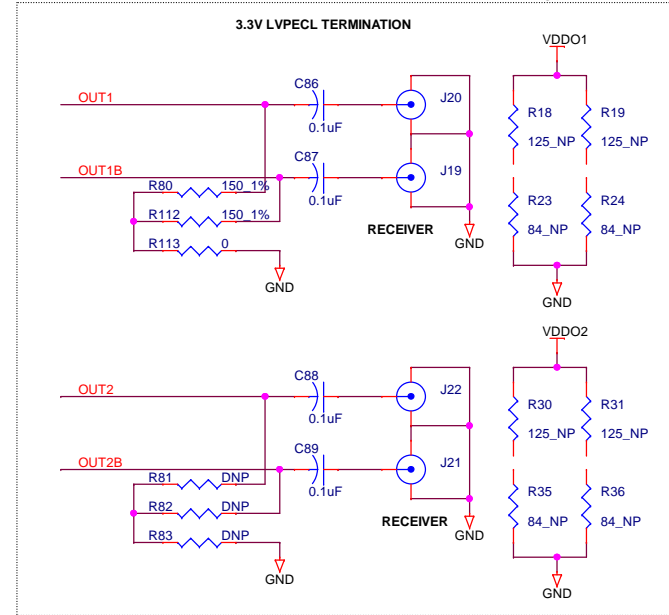
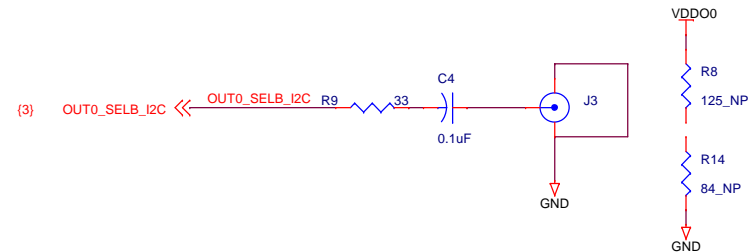
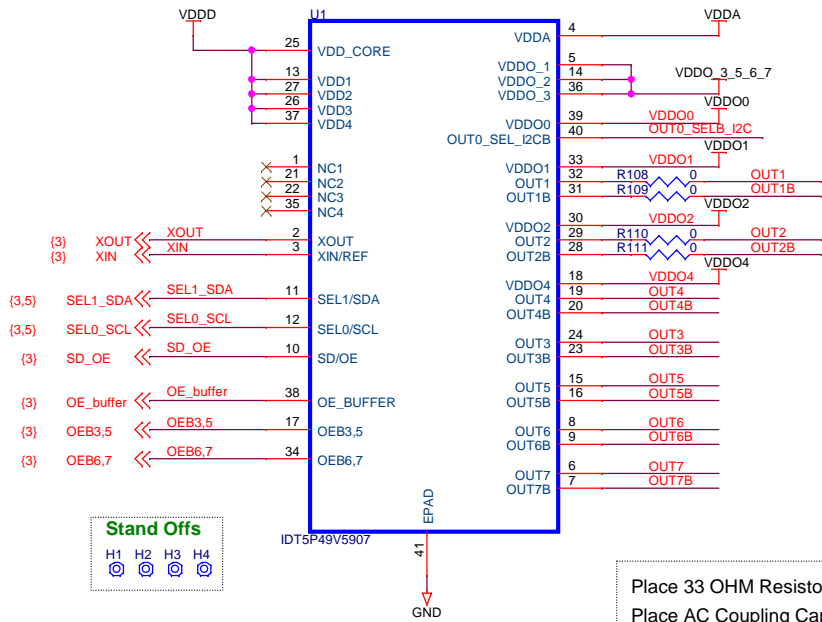
PAGE 03 : VC5

PAGE 04 : POWER CONNECTION

PAGE 05 : I2CMODULE

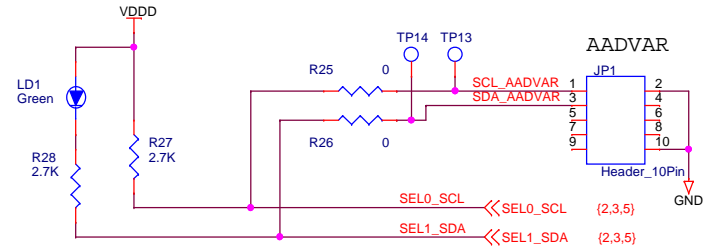
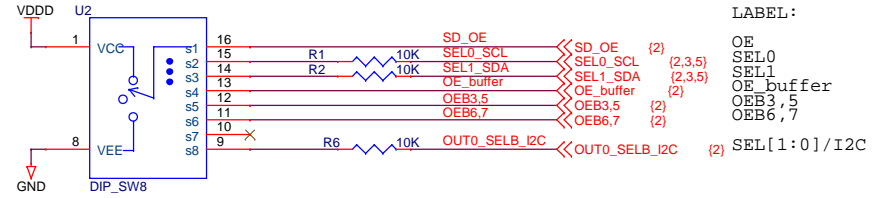
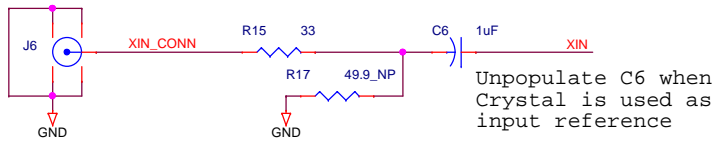
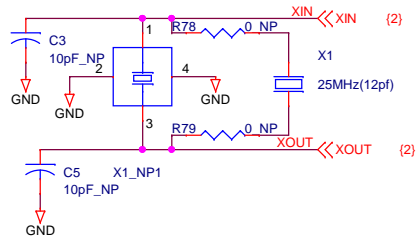
Title		
IDT_5P49V5907_EVM_BOARD_REV1		
Size	Document Number	Rev
B	305-PD-15-0204	1
Date:	Friday, May 22, 2015	Sheet 1 of 5

5P49V5907 CONNECTIONS



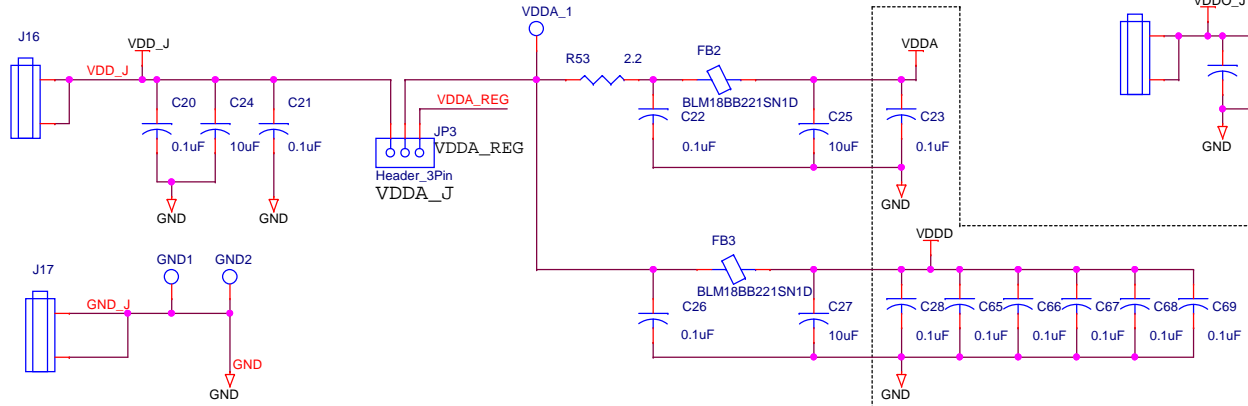
Place 33 OHM Resistors Closed to Main Device
R89 & R90 Should Closer to the SMA

Title IDT_5P49V5907_EVM_BOARD_REV1		
Size B	Document Number 305-PD-15-0204	Rev 1
Date: Friday, May 22, 2015	Sheet 2	of 5

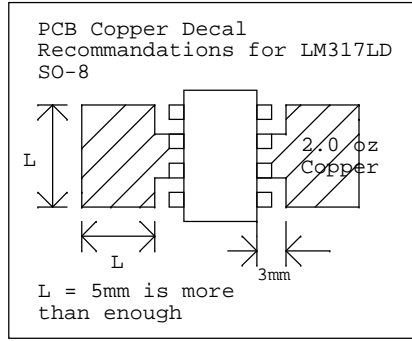
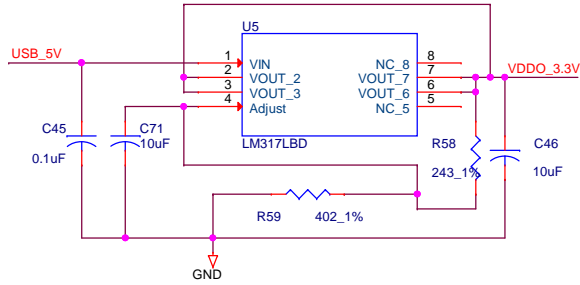
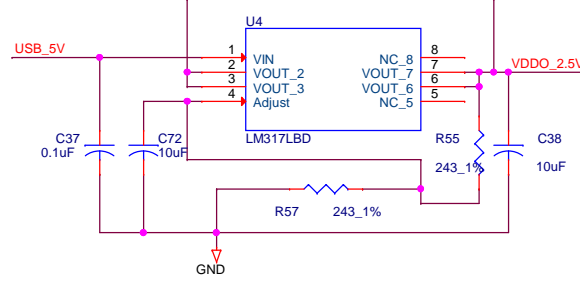
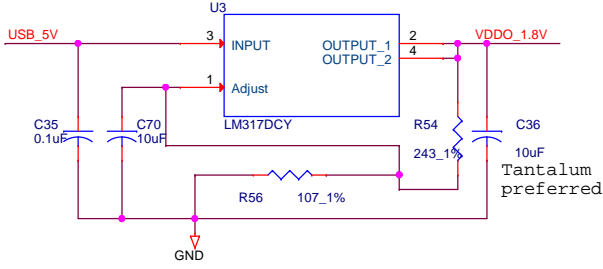


Title		
IDT_5P49V5907_EVM_BOARD_REV1		
Size	Document Number	Rev
B	305-PD-15-0204	1
Date:	Friday, May 22, 2015	Sheet 3 of 5

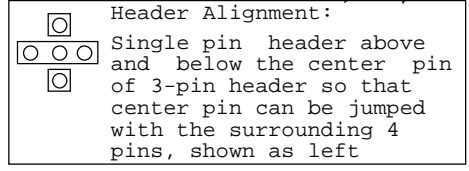
LABEL AS INDICATED FOR 3-PIN HEADERS



Locate near DUT power pin

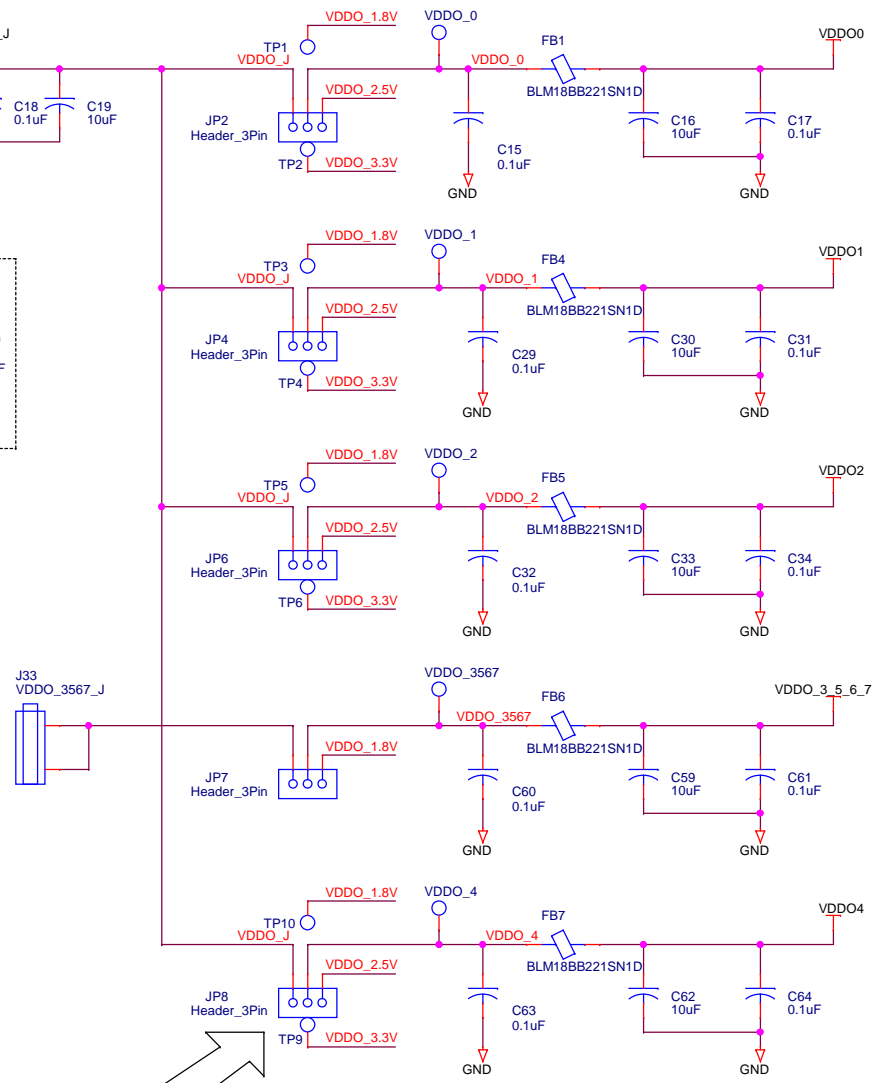


L = 5mm is more than enough



Header Alignment:
Single pin header above and below the center pin of 3-pin header so that center pin can be jumped with the surrounding 4 pins, shown as left

LABEL ON EACH RESPECTIVE PIN OF HEADERS: 1.8V, 2.5V, 3.3V



USB_5V << USB_5V (5)
VDDA_REG << VDDA_REG (5)

Title		
IDT_5P49V5907_EVM_BOARD_REV1		
Size	Document Number	Rev
B	305-PD-15-0204	1
Date:	Friday, May 22, 2015	Sheet 4 of 5

