

# DA145xx DevKit Pro Mainboard

Design Name	da145xxdevkt-p_vb
Ref. Number	376-18-B
Version	B1.0
Date	Aug 09, 2019
Designer	PR
<b>NOTE1</b>	<b>Supporting DA14585/6 and DA14531 PCIE-64 daughterboards</b>
<b>NOTE2</b>	<b>Not supporting external 6.8V power (VPP) for OTP programming (used by older DA1458x chips)</b>

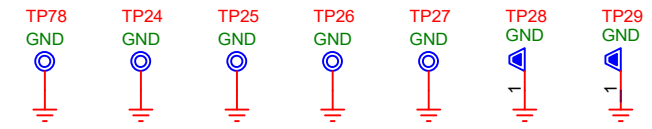
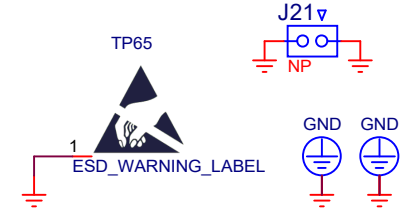
Configuration note

NOTE box

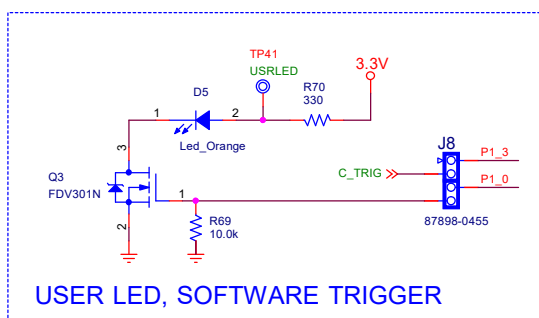
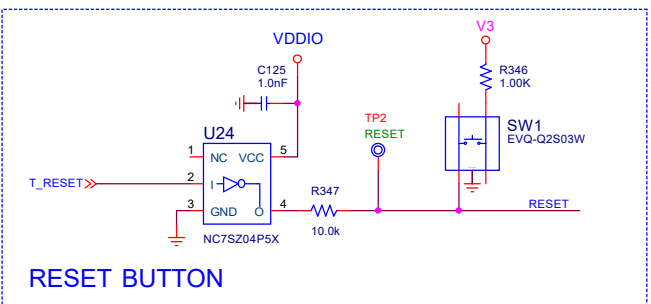
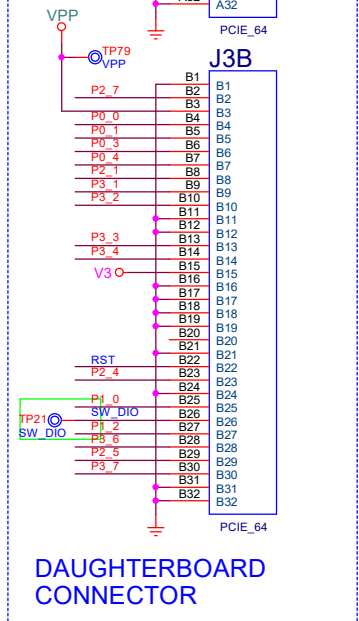
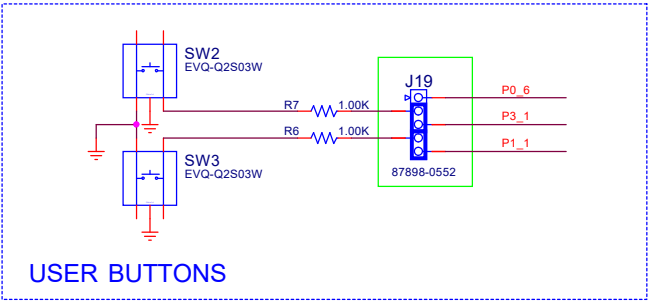
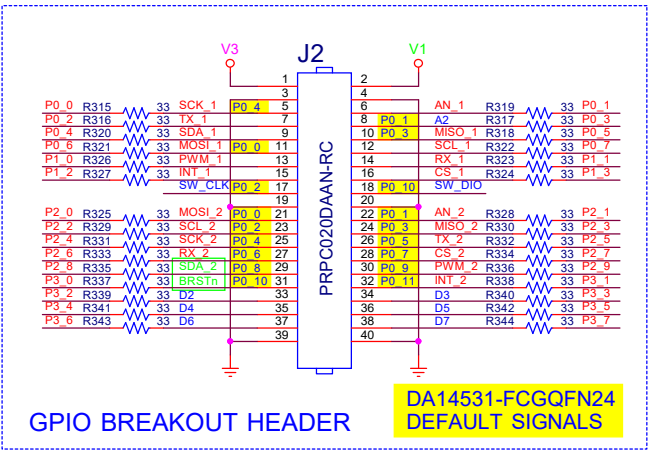
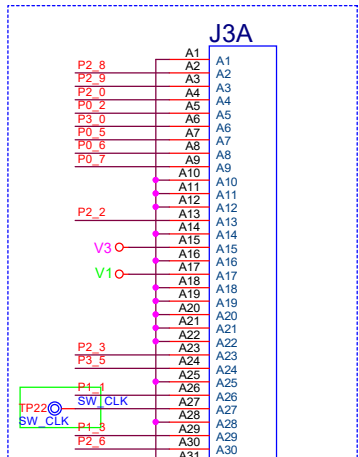
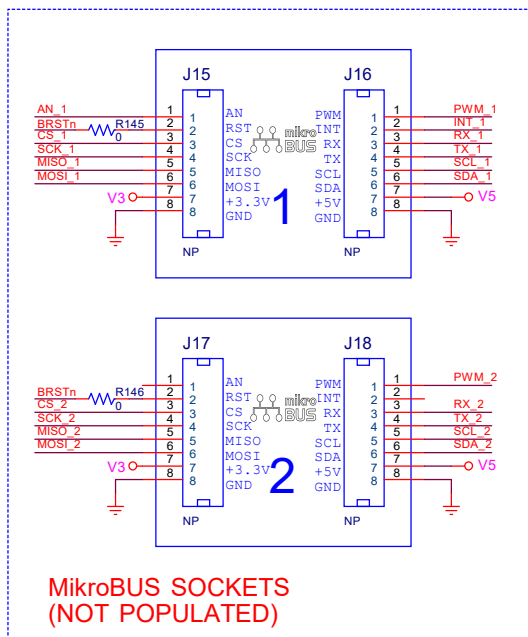
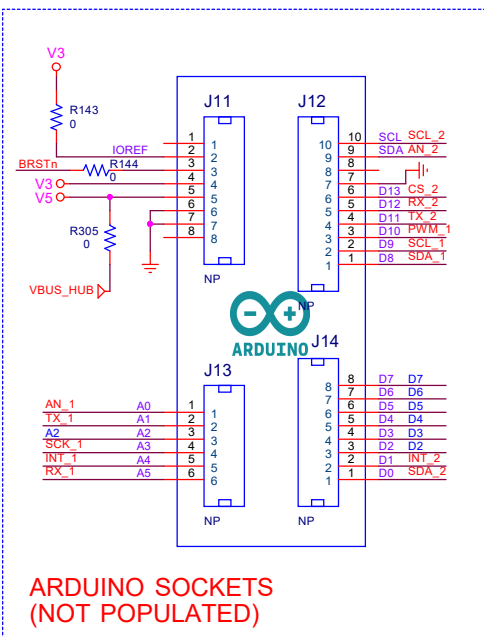
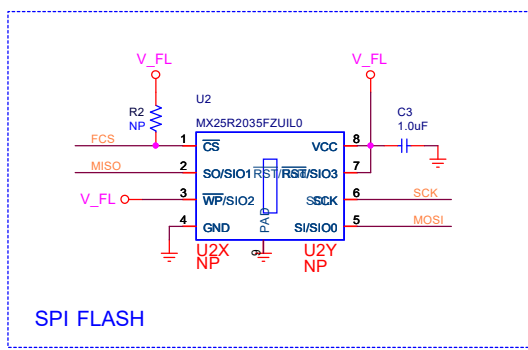
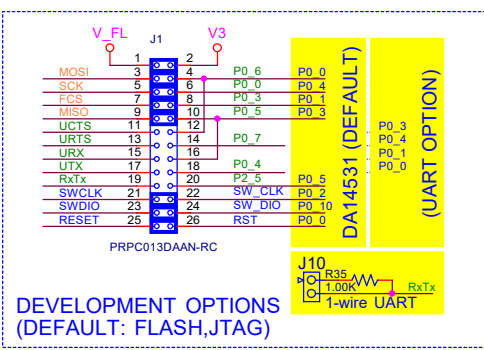
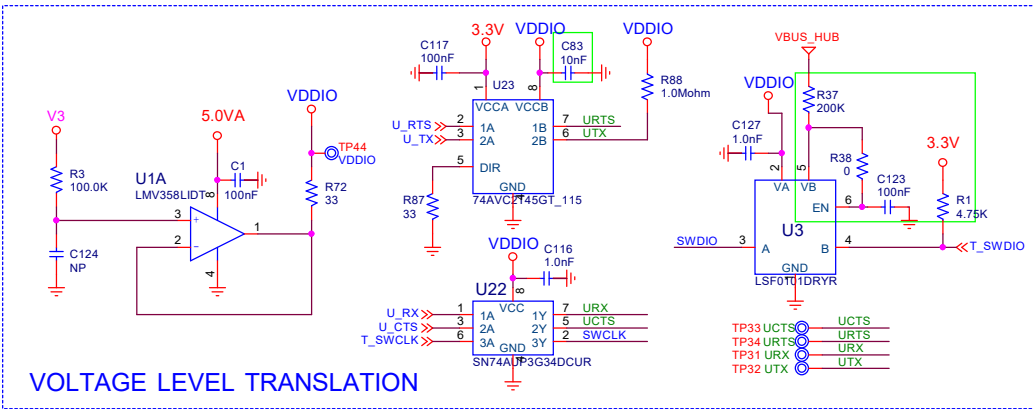
Changes in this Version.

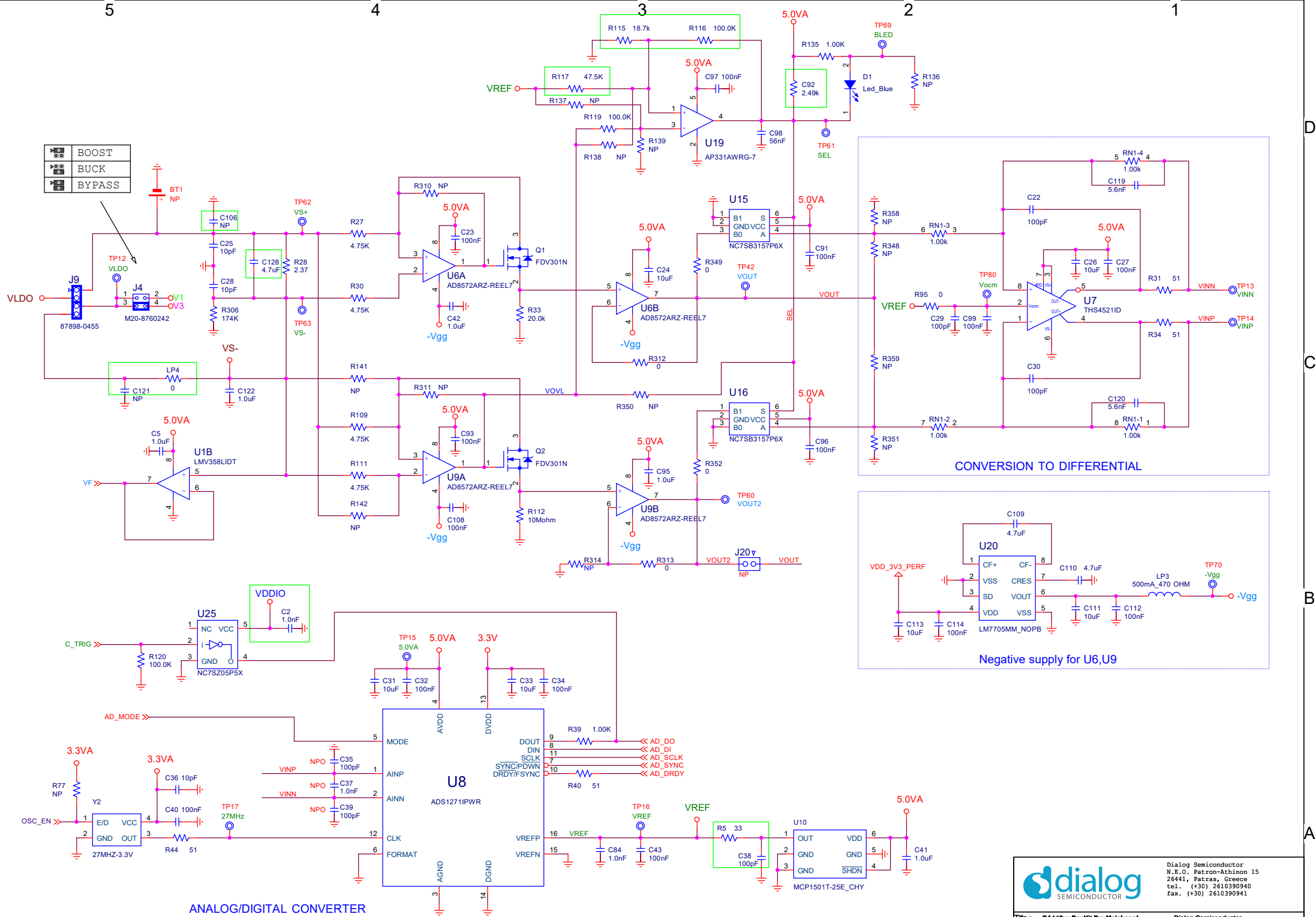
Version	Date	Comments
A0.0	21 / Jun / 2019	<p>Release to manufacturing</p> <p>Current measurement - VREF noise</p> <ul style="list-style-type: none"> <li>Changed C38 from 1uF to 100pF</li> <li>Changed R5 from 0 to 33 ohm</li> </ul> <p>Current measurement - waveform ringing</p> <ul style="list-style-type: none"> <li>Changed C121, C106 to N.P.</li> <li>Changed LP4, LP5 beads to 0 ohm resistors</li> <li>Placed on R29 a 4.7uF Capacitor</li> <li>Changed C4 from 5.6nF to 1nF</li> </ul> <p>Current measurement - switching transients</p> <ul style="list-style-type: none"> <li>changed R115 from 1M to 18.7k</li> <li>changed R116 from 1M to 100k</li> <li>changed R117 from 100k to 47.5k</li> <li>changed C92 from 56nF to 2.49k</li> </ul> <p>Renamed R29 to C128</p> <p>Added NP resistor R314 (option for current measurement)</p> <p>Changed U23 type from 74AVCH2T45GT to 74AVC2T45GT</p> <p>Changed U25 power to VDDIO and C2 from 100nF to 1nF</p> <p>Added TP21, TP22 (option for test jig)</p> <p>Added NP header J22 (option for VPP)</p> <p>Changed J19 to 5-pins type and set as default jumper option to connect SW2 button to P3_1 (P0_11 on DA14531)</p> <p>Changed R2 from 10k to NP</p> <p>Changed R37 from 100k to 200k</p> <p>Changed C123 from N.P. to 100nF</p> <p>Changed R38 from 100k to 0R and connected to U3-5</p> <p>Changed R1 from 1M to 4.75k</p> <p>Exchanged the functions of MikroBUS/Arduino socket signals related with P2_8/P3_0 (DA14531 P0_8/P0_10)</p>
B1.0	09 / Aug / 2019	<p>Changed C83 from 1nF to 10nF</p>

- TP71 FIDUCIAL
- TP72 FIDUCIAL
- TP73 FIDUCIAL
- TP45 FIDUCIAL
- TP46 FIDUCIAL
- TP47 FIDUCIAL



Dialog Semiconductor  
N.E.O. Patron-Athinon 15  
26441, Patras, Greece  
tel. (+30) 2610390940  
fax. (+30) 2610390941





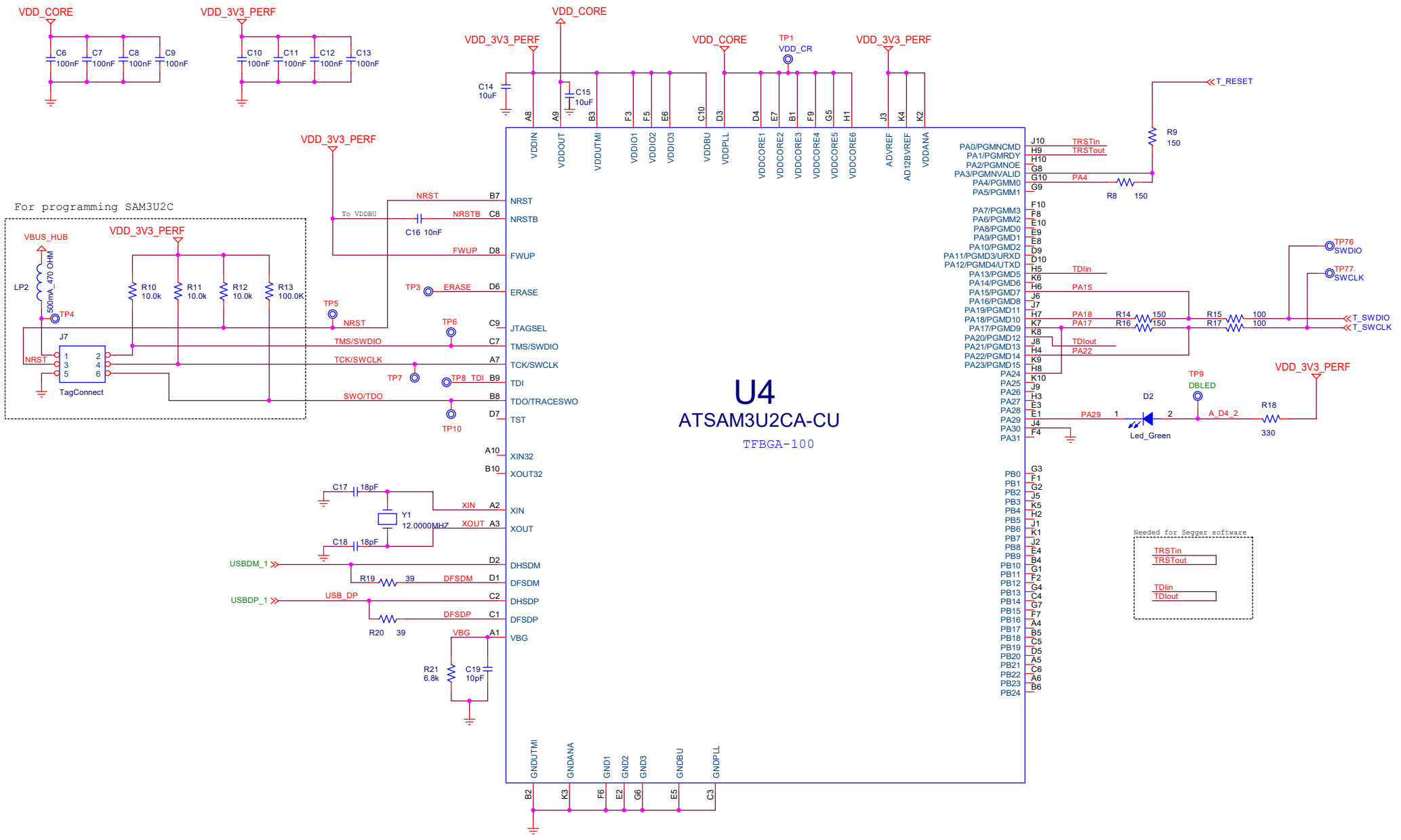
	BOOST
	BUCK
	BYPASS

CONVERSION TO DIFFERENTIAL

Negative supply for U6,U9

ANALOG/DIGITAL CONVERTER





**U4**  
**ATSAM3U2CA-CU**  
 TFBGA-100

Needed for Segger software  
 TRSTin  
 TRSTout  
 TDlin  
 TDlout

