

# DA1459x Devkit-Pro Daughterboard

|             |                   |
|-------------|-------------------|
| Design Name | d2634-db-wlcsp39  |
| Ref. Number | 469-07-C          |
| Version     | C3                |
| Date        | 09/Oct/2023       |
| Designer    | Panos Raftopoulos |
|             |                   |

Configuration note

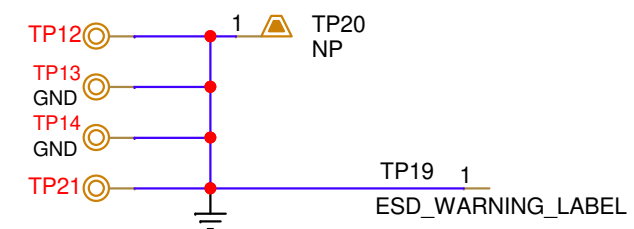
NOTE box

Changed in this Version.

⊙ TP10 FIDUCIAL

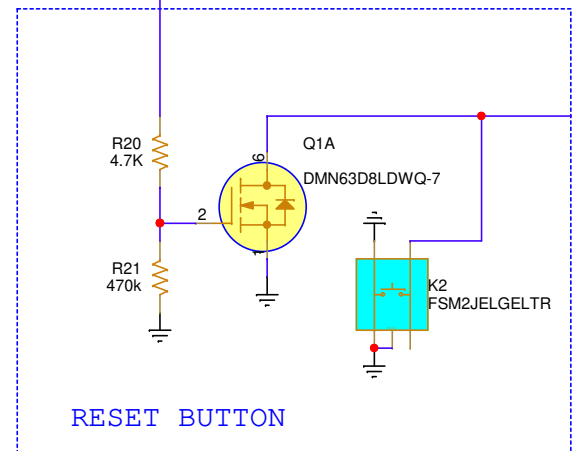
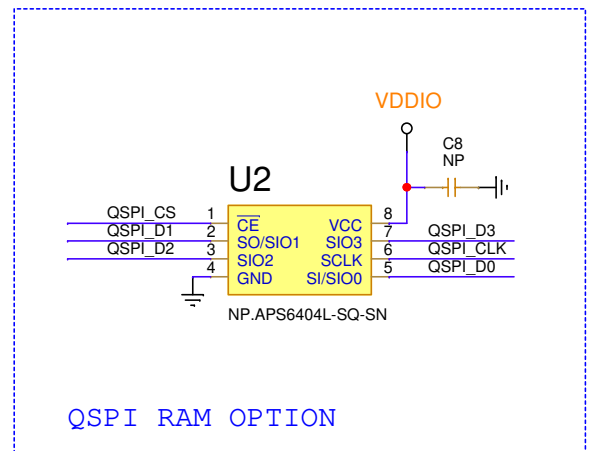
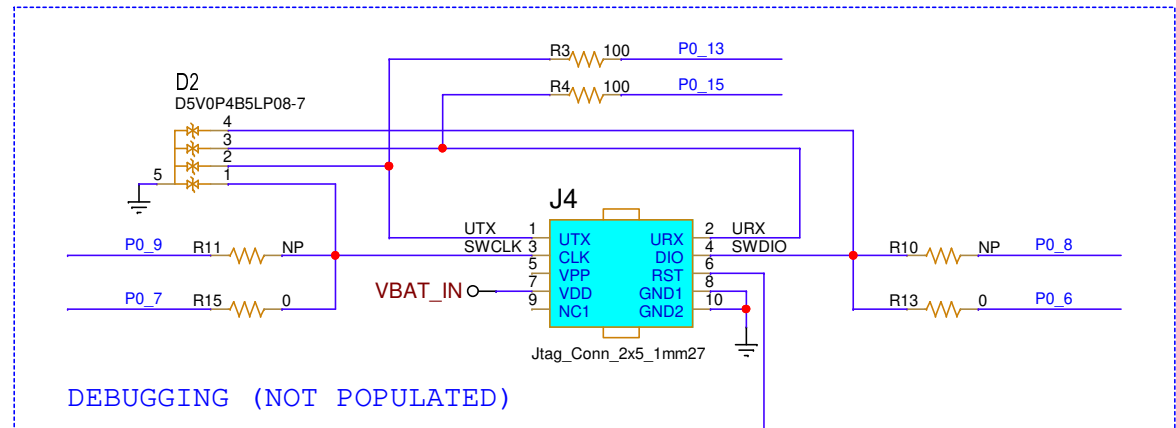
⊙ TP11 FIDUCIAL

| History Table |                            |  |
|---------------|----------------------------|--|
| Version       | Date                       | Comments   |
| A0.9          | 27/Feb/2020                | Release for internal review  |
|               | 05/Mar/2020                | Added TVS diode (D3 - CPDQC5V0CSP-HF) to VBAT<br>Changed TP20, U2 to NP<br>Changed Z1 to 5.6nH (antenna matching)<br>Changed Z2 to 1.0pF (antenna matching)<br>Changed Z3 to 0.5pF (antenna matching)<br>Changed net name on R16•2/J1•20 from P0_16 to C_TRIG(P1_2)  |
| A1.0          | 09/Mar/2020<br>16/Mar/2020 | Released B.O.M. to assembly house<br>Added alternative package option (L1608) for L1   |
|               |                            | Applied modifications to support extended temp. range <ul style="list-style-type: none"> <li>• SW1 replaced with pin header J3 and jumper JS1</li> <li>• Changed K2 part number to FSM4LPASTR</li> <li>• Changed D1 part number to KS DELMS1.22-QHRI-68-E6L4</li> <li>• Changed J7 to N.P. and added Z7 (10pF) as bypass</li> <li>• Changed part number of Y1 to NX2016SA-32MHZ-EXS00A</li> <li>• Changed C2,C5,C11 to GRM033C80J105ME05E</li> <li>• Changed C3,C4,C6 to ZRB15XC80J106ME05D</li> </ul> |
| A1.1          | 03/Apr/2020                | Released for manufacturing   |
| A1.2          | 30/Jun/2020                | BOM modification:<br>Changed J7 as populated, Z7 as NP (engineering builds only)   |
| A1.3          | 22/Oct/2020                | BOM modification:<br>Changed J4 as populated, Added Note for J7  |
| A1.4          | 16/Nov/2020                | RF Maching changes: <ol style="list-style-type: none"> <li>1. Z1 changed to LQP03TG1N5B02 1.5nH</li> <li>2. Z2 changed to 250R05L4R3BV4S 4.3pF</li> <li>3. Z3 changed to GRM0335C1H2R7CA01 2.7pF</li> </ol>  |
| B             | 27/Apr/2023                | Removed all references to dal469x mainboard<br>Replaced J3 header with a slide switch (SW1)<br>Removed xtal32k oprion (Y2/NP)<br>Changed the footprint of J4 header (NP) to SMT type   |
| C             | 31/Aug/2023                | Modified RF traces on the PCB for impedance matching   |
| C2            | 09/Oct/2023                | Added filter for FCC Tx spurious 3rd harmonic limit: <ul style="list-style-type: none"> <li>• Changed Z4 part number to LQP03TG2N8B02D</li> <li>• Changed Z5,Z6 part number to GJM0335C1HR70WB01D</li> </ul>   |
| C3            | 19/Oct/2024                | Changed C2 to 2.2uF<br>Changed C3,C4,C6 part number to GRM155R60J106ME05D  |
|               |                            |  |



Renesas Electronics  
N.E.O. Athinon-Patron 15  
26441, Patra, Greece  
tel. (+30) 2610390940  
fax. (+30) 2610390941

|  |                            |                     |    |
|--|----------------------------|---------------------|----|
| Title : D2634/DA1459x Devkit-Pro Daughterboard |                            | Renesas Electronics |    |
| Doc. Nr.                                       | 469-07-C                   | Designer:           | PR |
| Date:  | Thursday, October 19, 2023 | Rev:                | C3 |
| Sheet:   | 1                          | of                  | 2  |



|       |     |      |            |                  |
|-------|-----|------|------------|------------------|
| RSTn  | D4  | nRST | A9         | QSPI_CLK/P0_00   |
| P0_0  | R1  | 36   | QSPI_CS/G7 | QSPI_CS/P0_01    |
| P0_1  | R2  | 36   | QSPI_D0/C9 | QSPI_D0/P0_02    |
| P0_2  | R6  | 36   | QSPI_D1/D8 | QSPI_D1/P0_03    |
| P0_3  | R7  | 36   | QSPI_D2/B8 | QSPI_D2/P0_04    |
| P0_4  | R8  | 36   | QSPI_D3/E7 | QSPI_D3/P0_05    |
| P0_6  |     |      | B6         | M33_SWCLK/P0_07  |
| P0_7  |     |      | A7         | M33_SWCLK/P0_07  |
| P0_8  |     |      | D6         | CMAC_SWCLK/P0_09 |
| P0_9  |     |      | C7         | CMAC_SWCLK/P0_09 |
| P0_10 |     |      | C5         | P0_10            |
| P0_11 |     |      | E5         | P0_11            |
| P0_12 | R12 | 0    | H4         | P0_12            |
| P0_13 |     |      | G5         | P0_13            |
| P0_14 | R14 | 0    | J3         | P0_14            |
| P0_15 |     |      | J5         | P0_15            |
| P1_0  |     |      | J1         | P1_00            |
| P1_1  |     |      | H2         | P1_01            |
| P1_2  |     |      | G3         | P1_02            |

