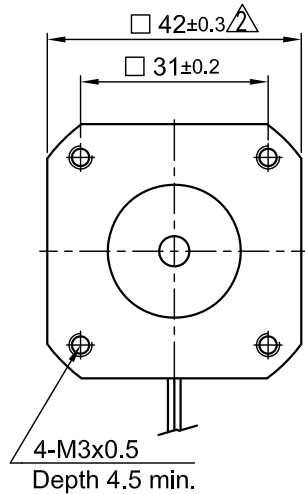
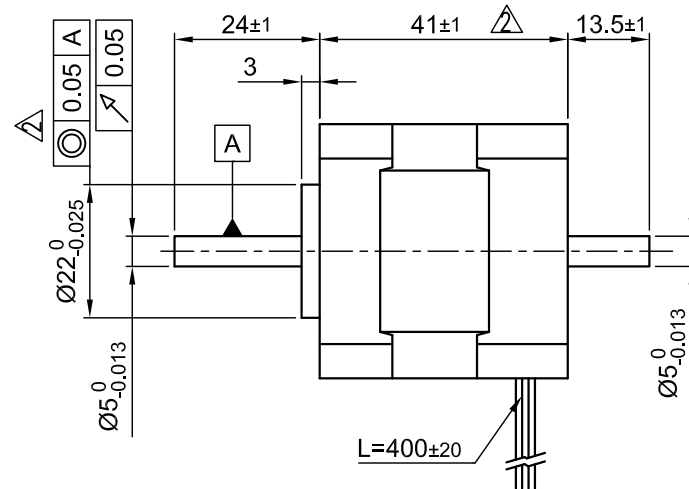


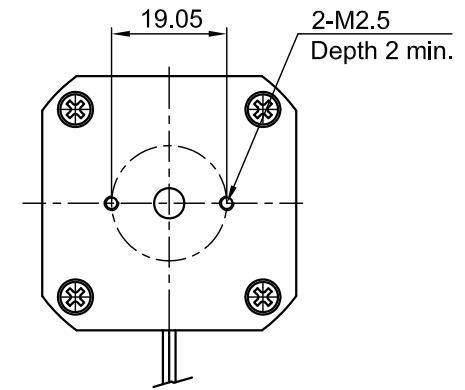
Front view and mounting



Side view

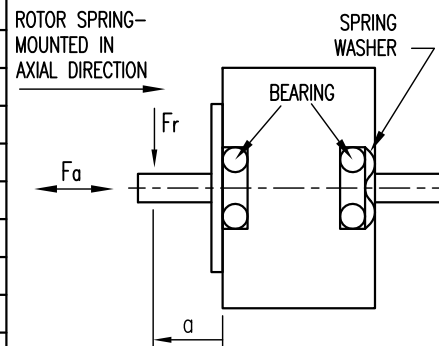


Rear view



SPECIFICATION	CONNECTION	DELTA
NO. OF POL./PHASE		8/3
VOLTAGE RATED (VDC)		24
CURRENT NO LOAD/RATED/PEAK (AMP)		0.2/1.79/5.4
RESISTANCE/PHASE TO PHASE (Ohms) @25°C		1.5±15%
INDUCTANCE/PHASE TO PHASE (mH) @1KHz		2.1±20%
TORQUE RATED/PEAK (Nm) [lb-in]		0.0625/0.19 [0.553/1.68]
TORQUE/VOLTAGE CONSTANT (Nm/A)/(Vrms/KRPM)		0.035/2.78=BACK EMF
POWER RATED (W)		26
SPEED RATED/NO LOAD (U/min)		4000/6200
ROTOR INERTIA (Kg-m ²) [lb-in ²]		2.4x10 ⁻⁶ [8.2x10 ⁻³]
WEIGHT (Kg) [lb]		0.3 [0.661]
TEMPERATURE RISE: MAX.80°C		
AMBIENT TEMPERATURE -10°~ 50°C [14°F ~ 122°F]		
INSULATION RESISTANCE 100 MOhm (UNDER NORMAL TEMPERATURE AND HUMIDITY)		
INSULATION CLASS B 130° [266°F]		
DIELECTRIC STRENGTH 500VAC FOR 1 MIN. (BETWEEN THE MOTOR COILS AND THE MOTOR CASE)		
AMBIENT HUMIDITY MAX. 85% (NO CONDENSATION)		

PERMISSIBLE RADIAL+AXIAL FORCE



AXIAL-FORCE Fa (N)	Fa=10	
DISTANCE a (mm)	20	
RADIAL-FORCE Fr (N)	28	
	AXIAL	RADIAL
SHAFT PLAY (mm)	0.08	0.02
AT LOAD MAX: (N)	4.5	4.5

WIRING DIAGRAM										
	PIN	COLOR	FUNCTION	Dir. ← →				LEAD GAUGE		
MOTOR 8 POL.	6	YEL	U	X	HI	HI	X	LOW	LOW	UL1430 AWG20
	7	RED	V	HI	X	LOW	LOW	X	HI	
	8	BLK	W	LOW	LOW	X	HI	HI	X	
HALL 24 IMPL. REV.	1	RED	+5V							UL1430 AWG26
	2	BLU	H1	0	0	0	1	1	1	
	3	WHT	H2	0	1	1	1	0	0	
	4	GRN	H3	1	1	0	0	0	1	
	5	BLK	GND							

DELTA CONNECTING

2	TOLERANCE+NEW UL NO.	16.10.09	J.W.
1	NEW VALUES	13.08.08	J.W.
REV	DESCRIPTION	DATE	APVD



DB42S03

SCALE FREE	APVD	S.Ha.	19.06.07
X ±0.5	CHKD		
1PL ±0.2	DRN	J.W.	14.05.07
2PL ±0.1	SIGNATURE	DATE	
ANGLE ±30'			

BRUSHLESS DC MOTOR

DWG.NO

DB42S03