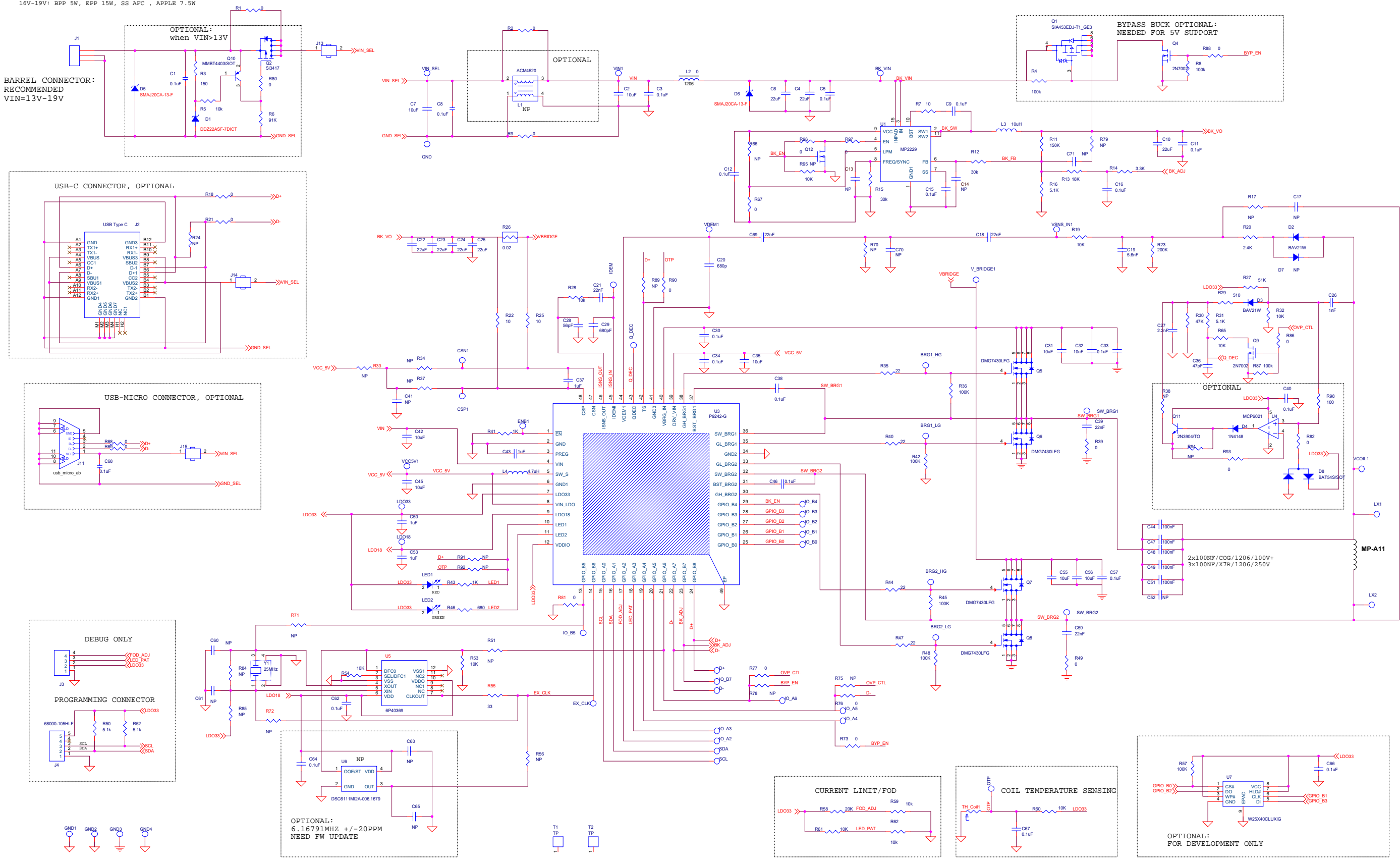


IDT P9242-G MP-A11 DEMO SCHEMATIC V3P8

5V: BPP ONLY
 QC/9V: BPP 5W, EPP 8W, APPLE 7.5W
 QC/12V: BPP 5W, EPP 10W, SS AFC, APPLE 7.5W
 16V-19V: BPP 5W, EPP 15W, SS AFC, APPLE 7.5W



BARREL CONNECTOR:
 RECOMMENDED
 VIN=13V-19V

USB-C CONNECTOR, OPTIONAL

USB-MICRO CONNECTOR, OPTIONAL

DEBUG ONLY

PROGRAMMING CONNECTOR

OPTIONAL:
 6.16791MHZ +/-20PPM
 NEED FW UPDATE

CURRENT LIMIT/FOD

COIL TEMPERATURE SENSING

OPTIONAL:
 FOR DEVELOPMENT ONLY

IDT
 Integrated Device Technology

THIS DOCUMENT CONTAINS INFORMATION PROPRIETARY TO Integrated Device Technology, Inc. (IDT). USE OR DISCLOSURE WITHOUT THE WRITTEN PERMISSION OF AN OFFICER OF IDT IS EXPRESSLY FORBIDDEN

File	P9242-G MP-A11 DEMO SCHEMATIC V3P8		
Size	Document Number	Rev	3.8
Date	Monday, August 20, 2018	Sheet	1 of 1