

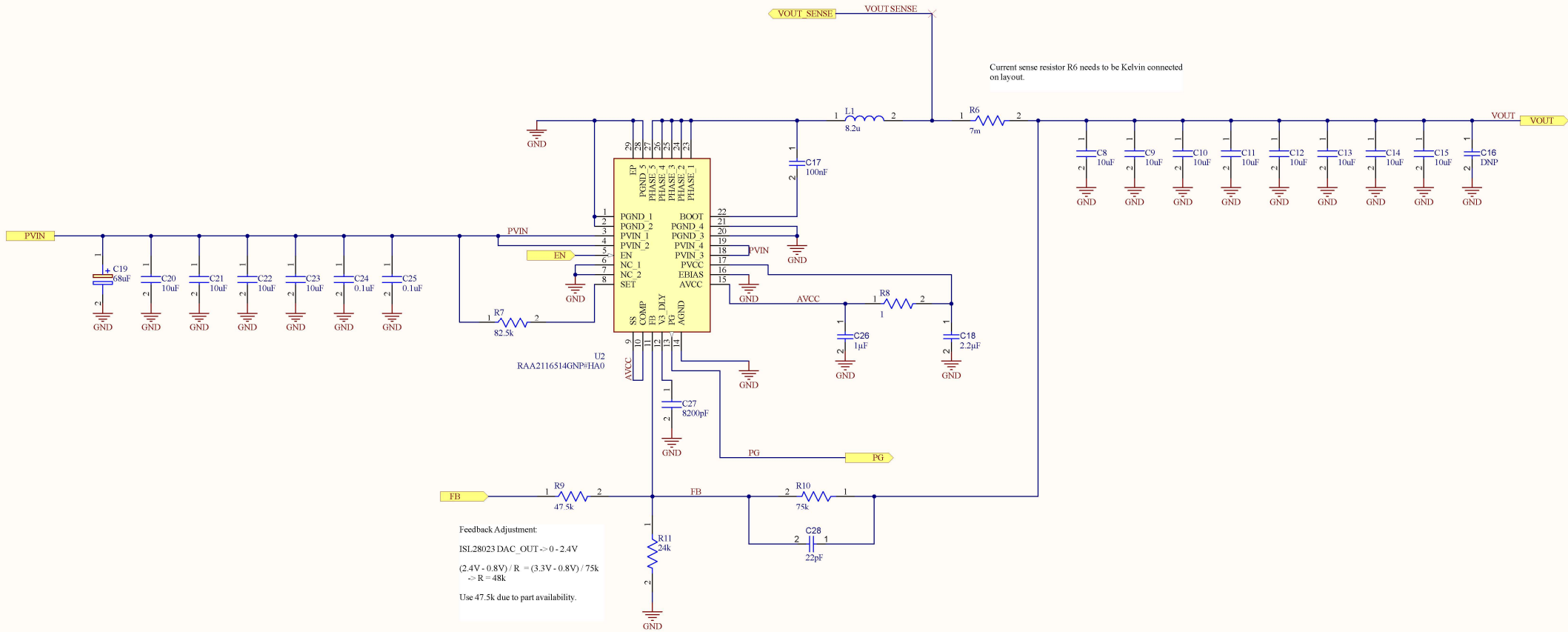
I2C Address:  
 Binary: 1011 111(0/1)  
 7-bit: 0x5F  
 8-bit: 0xBE/F

**PowerBoard**

Version: 1	Document Revision: 1
Release Date: 4/21/22	Sheet 2 of 3
File: ISL28023-SchDoc	



[www.renesas.com](http://www.renesas.com)



Feedback Adjustment:  
 ISL28023 DAC\_OUT -> 0 - 2.4V  
 $(2.4V - 0.8V) / R = (3.3V - 0.8V) / 75k$   
 $\rightarrow R = 48k$   
 Use 47.5k due to part availability.