


RAJ306010 Evaluation Board (RTK0EML2C0D05020BJ) Schematic_full

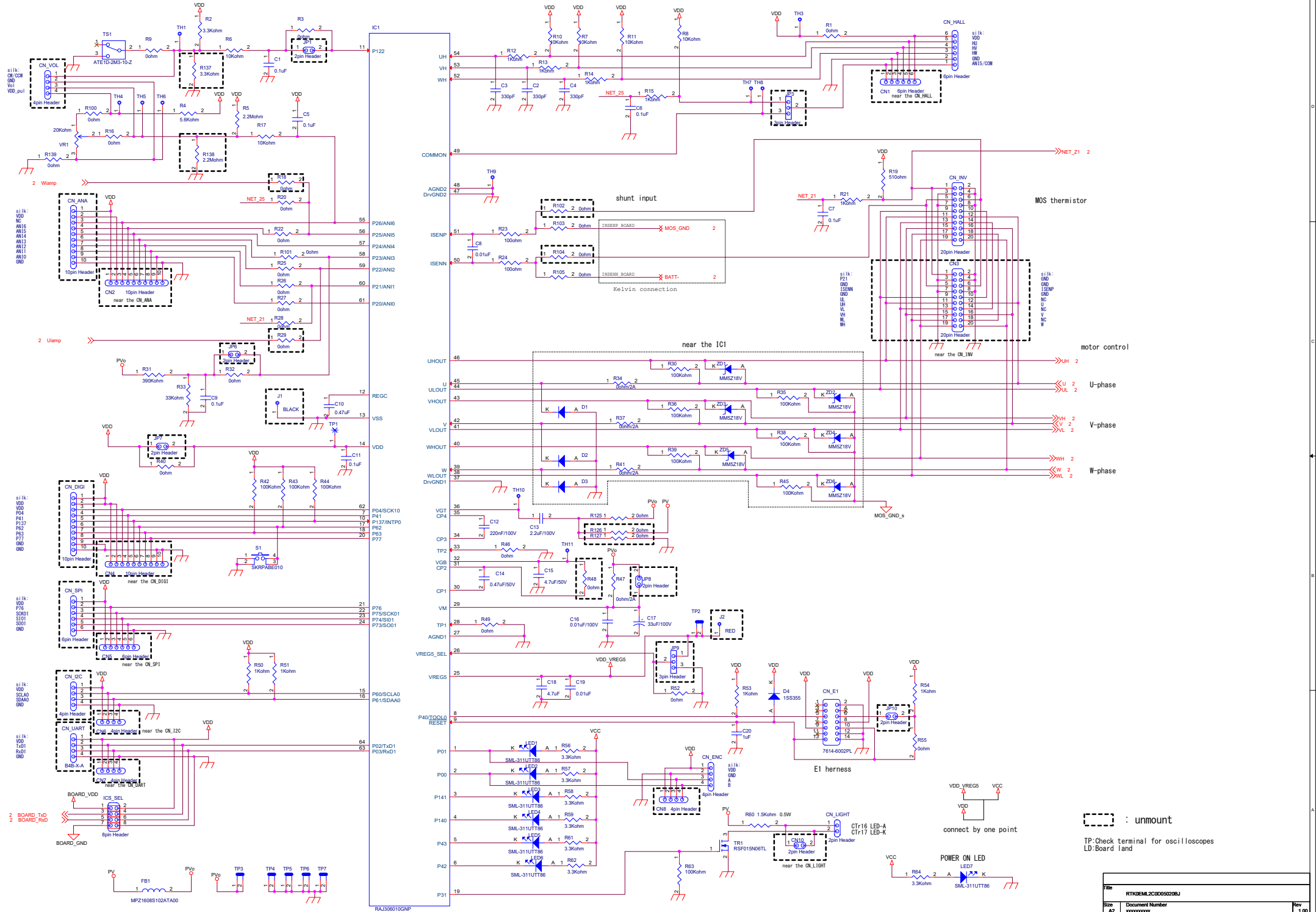
- 1:Contents
- 2:RAJ306010
- 3:RX231,MOSFET,Optional Circuit
- 4:History

IMB-PB-210074<A1181036/K11233160425>

 : unmount

TP:Check terminal for oscilloscopes
LD:Board land

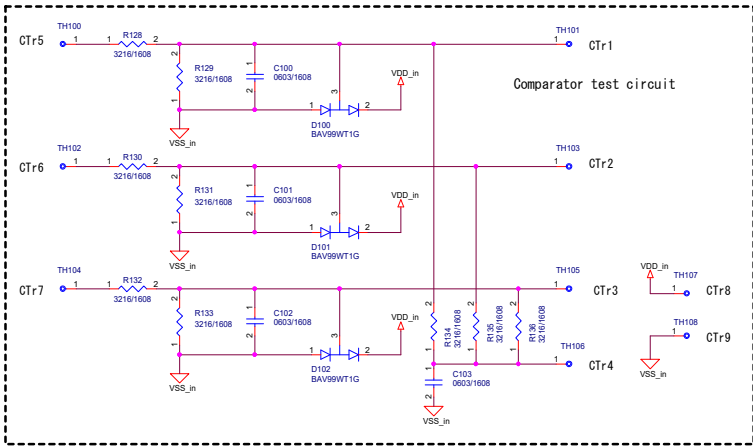
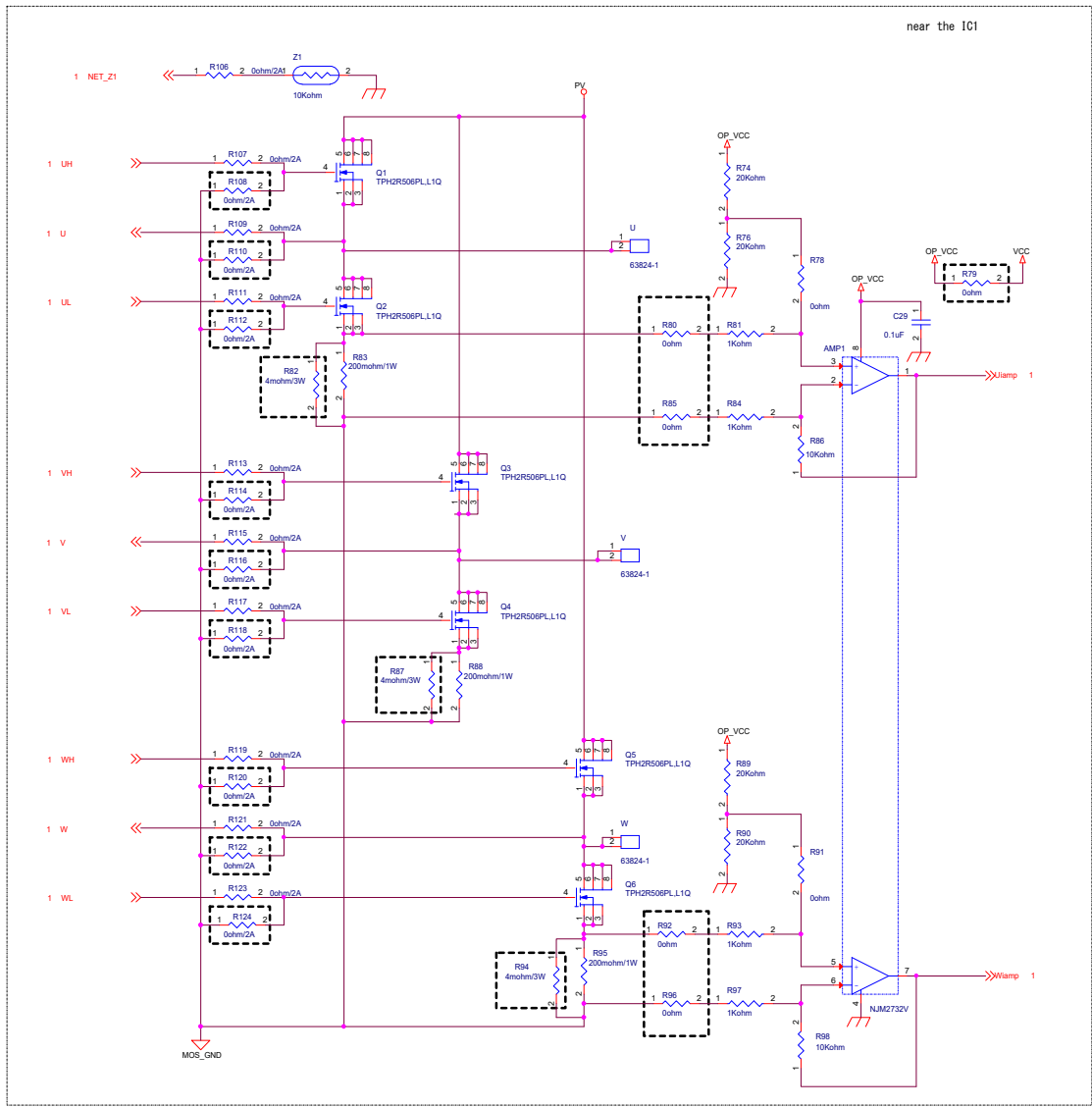
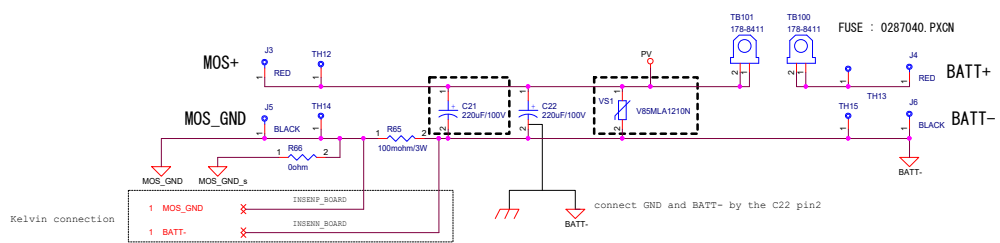
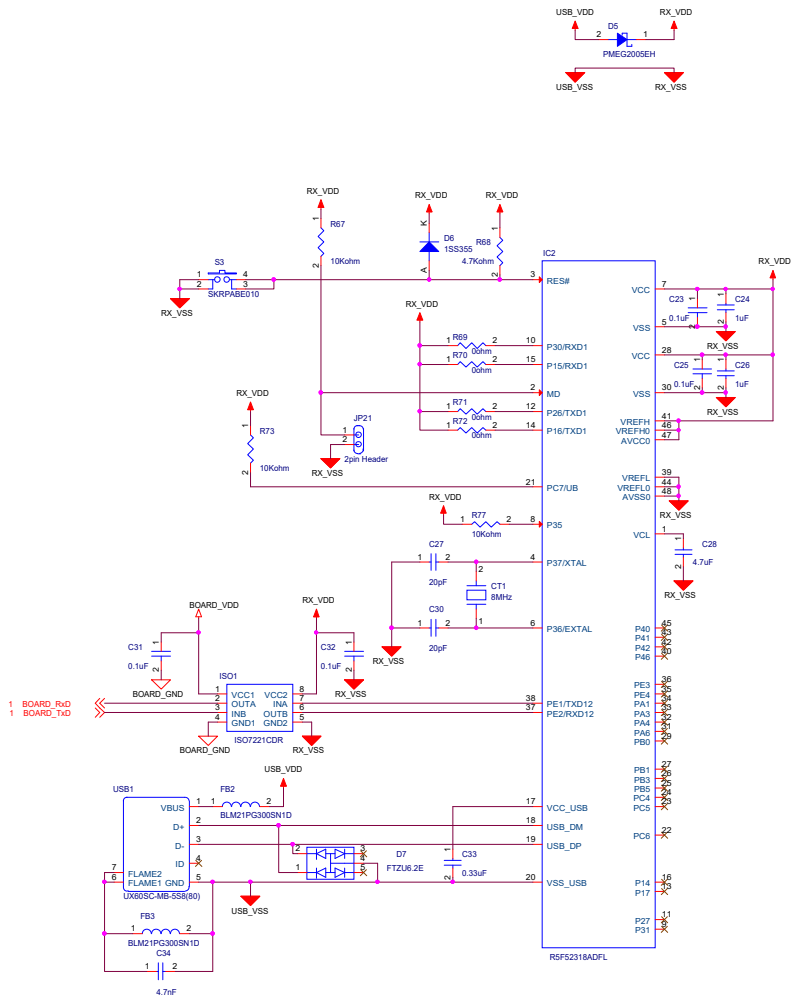
| | | |
|---|-----------------|------|
| Title | | |
| RTK0EML2C0D05020BJ | | |
| Size | Document Number | Rev |
| A2 | XXXXXXXXXX | 1.00 |
| Date: Wednesday, Jul 1, 2020 Sheet 1 of 4 | | |



⊠ : unmount

TP: Check terminal for oscilloscopes
LD: Board land

| | | |
|------|------------------------|--------------|
| File | RTK0EML2C0005020BJ | |
| Size | Document Number | Rev |
| A2 | XXXXXXXXXX | 1.00 |
| Date | Wednesday, Jul 1, 2020 | Sheet 2 of 4 |



[] : unmount

TP: Check terminal for oscilloscope
 LD: Board land

| | | |
|-------|------------------------|--------------|
| File | RTK0EML2C0005020BJ | |
| Size | Document Number | Rev |
| A2 | xxxxxxx | 1.00 |
| Date: | Wednesday, Jul 1, 2020 | Sheet 3 of 4 |

History

| REV. | Date | Page | Summary |
|------|------------|------|------------|
| 1.00 | Jul 1,2020 | - | Create New |
| | | | |