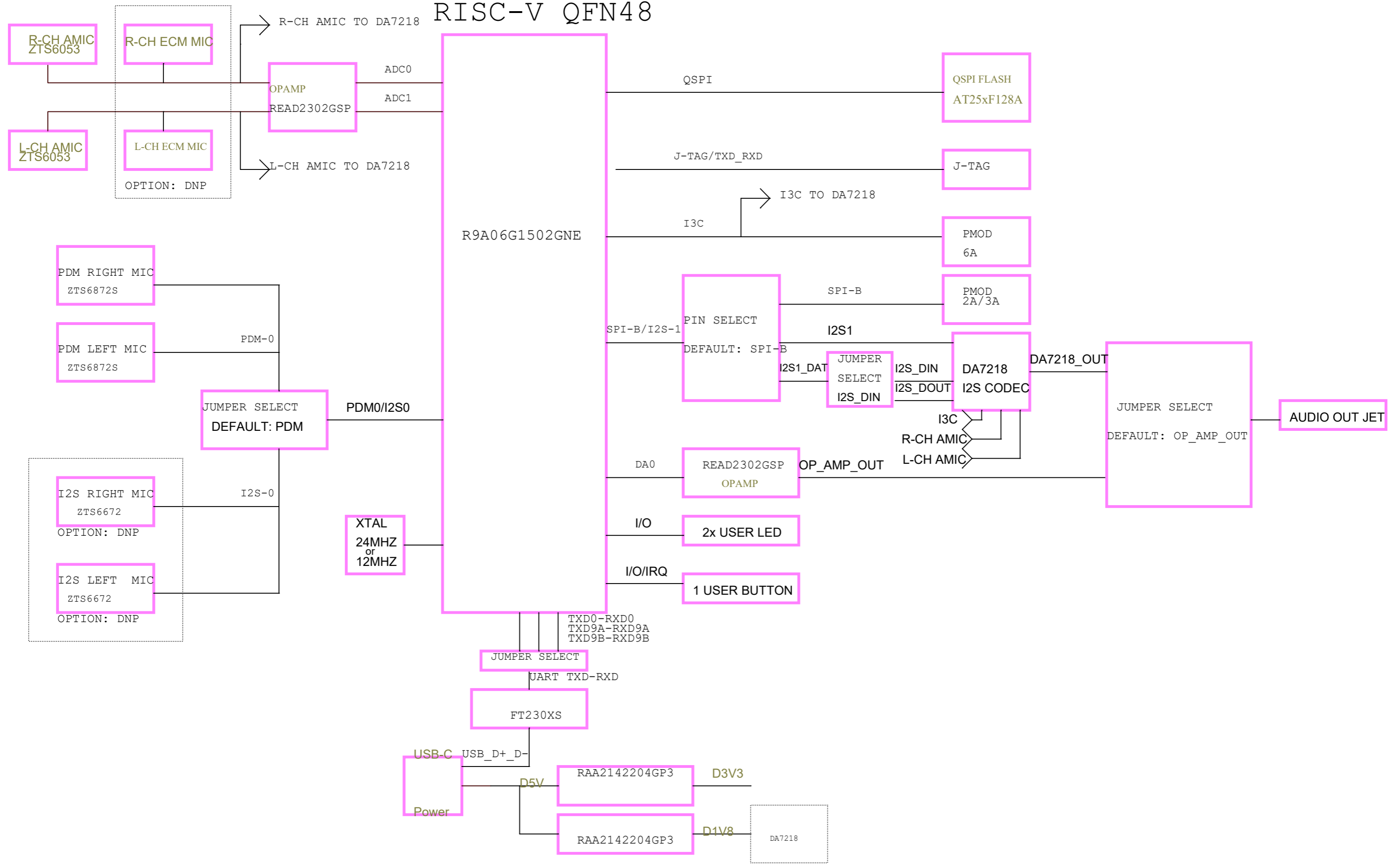


Table of Contents

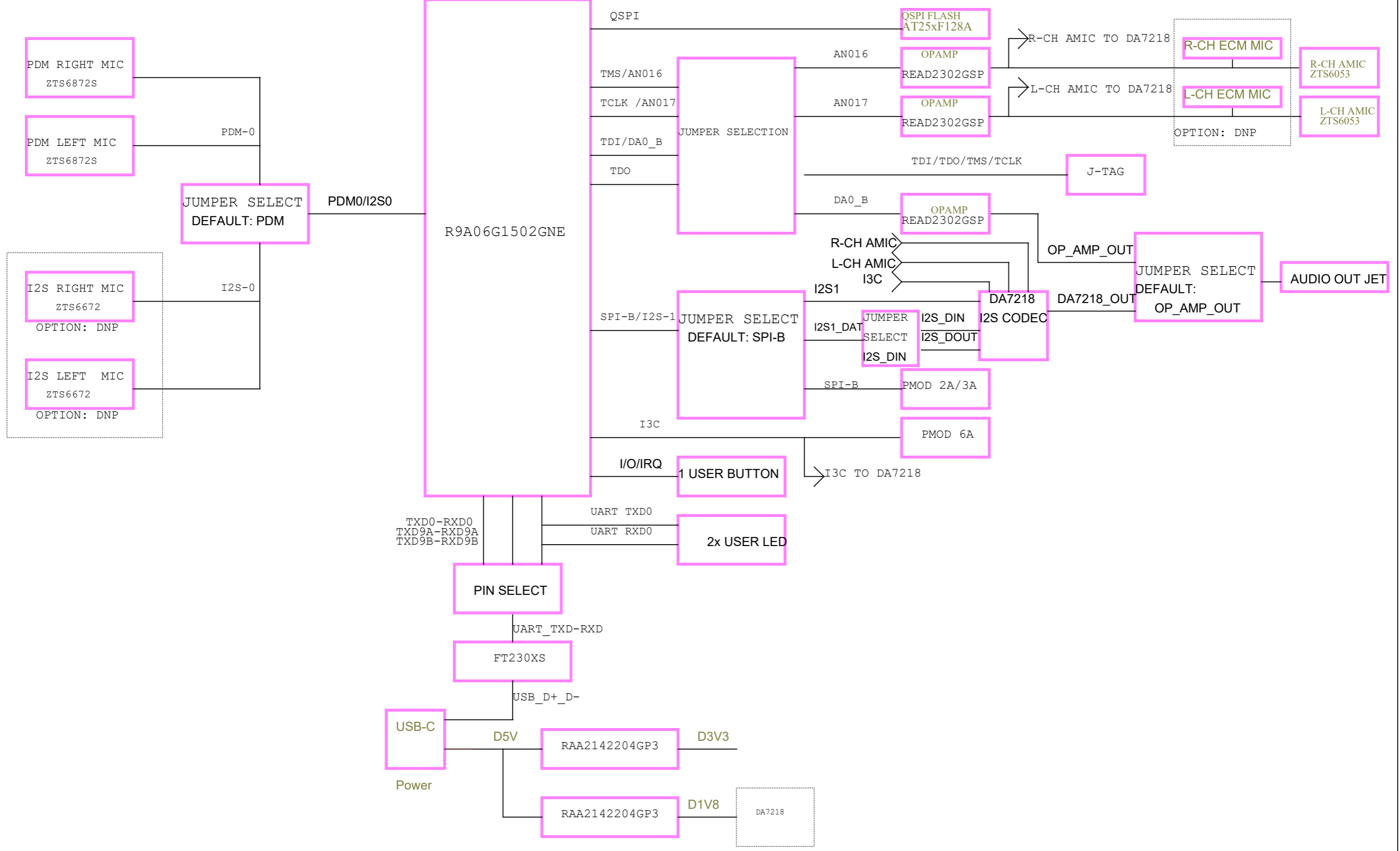
1	Title Page
2	RISC-V QFN48 Block Diagram
3	RISC-V QFN32 Block Diagram
4	RISC-V QFN24 Block Diagram
5	RISC-V QFN48 SCHEMATIC 1
6	RISC-V QFN48 SCHEMATIC 2

		Revision	Date	Description
				Initial formal release

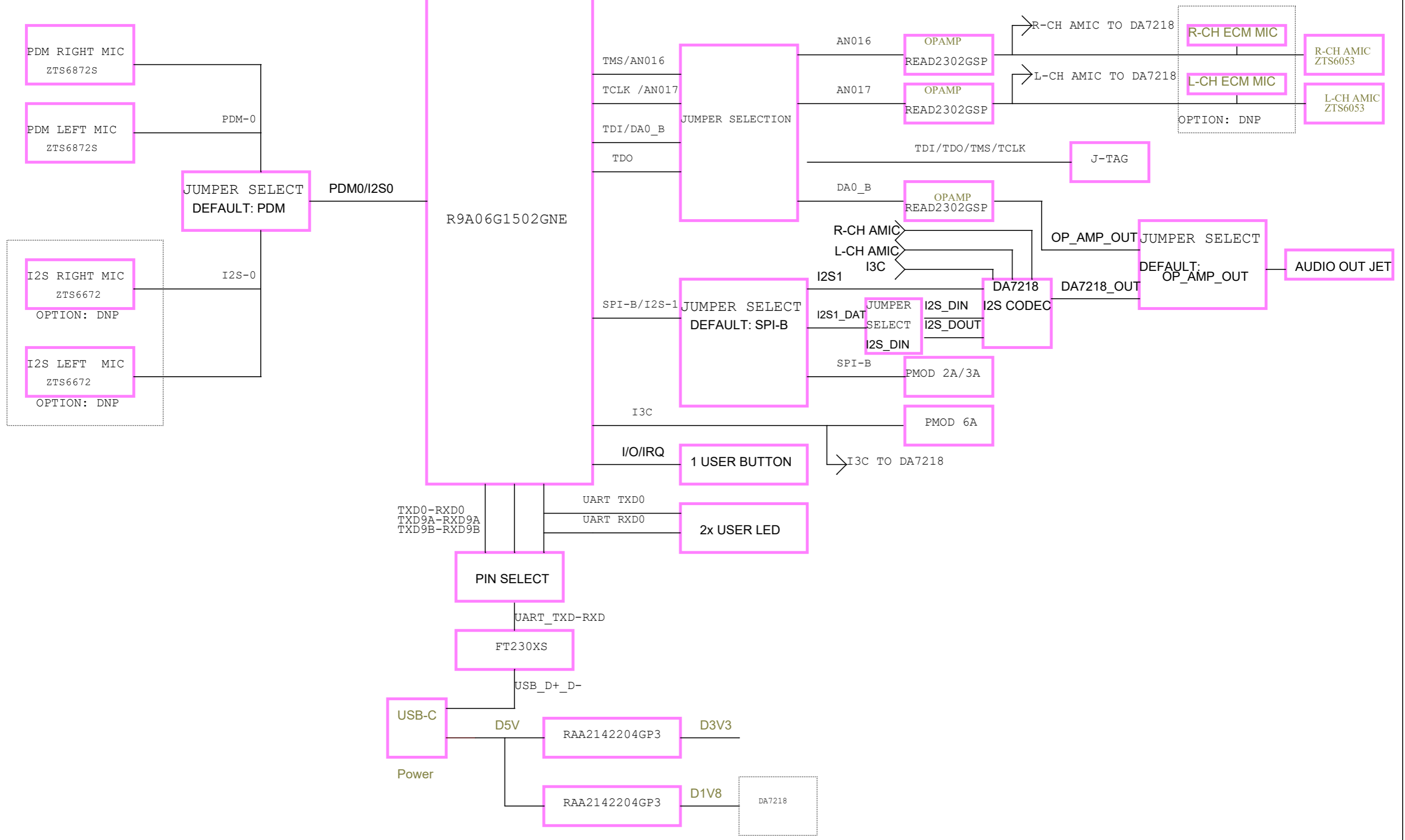
RISC-V QFN48



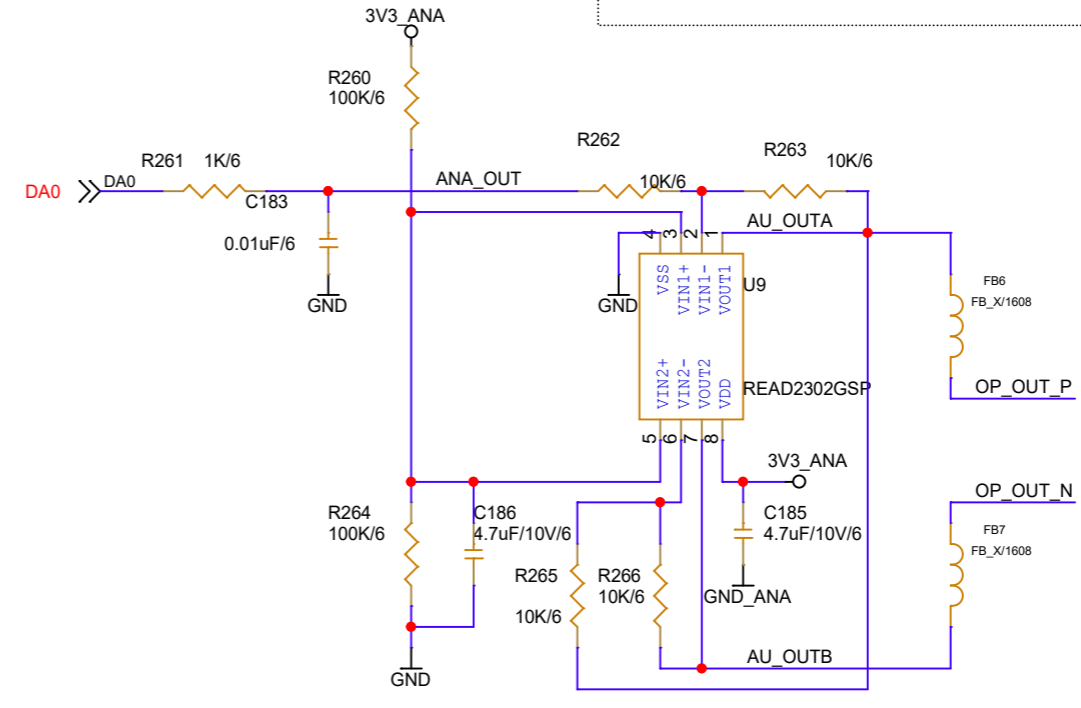
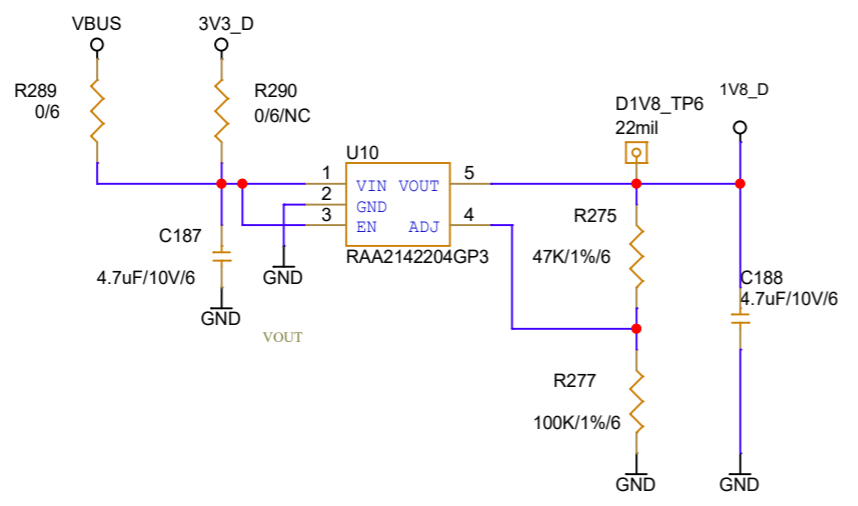
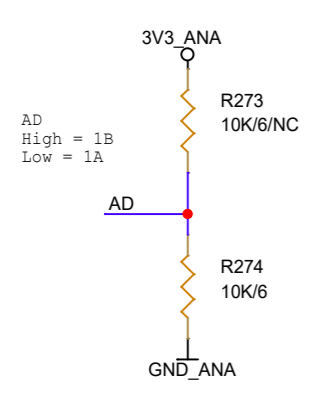
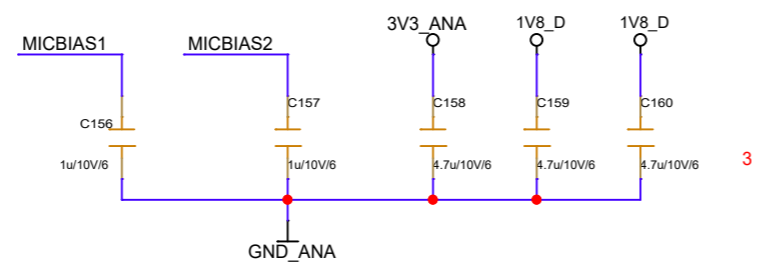
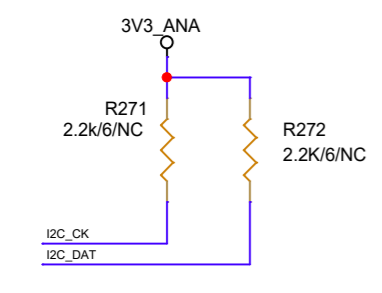
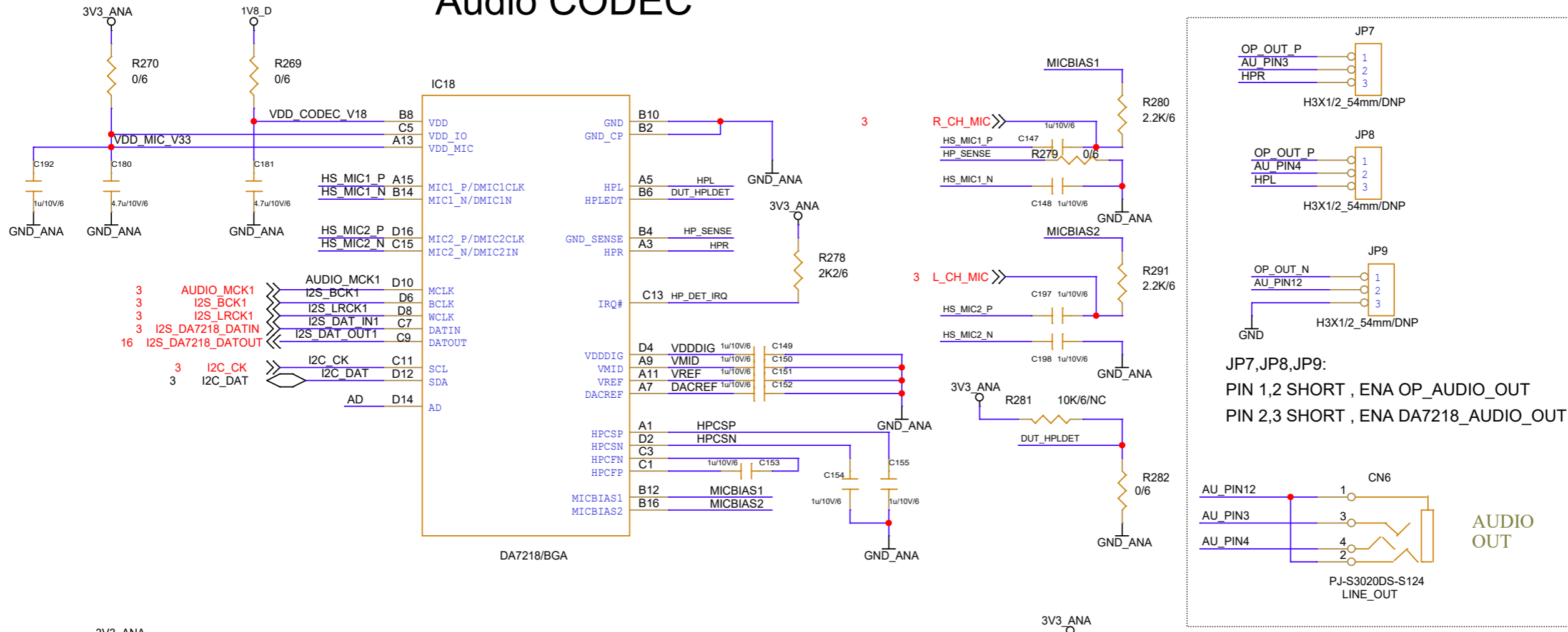
RISC-V QFN32



RISC-V QFN24



Audio CODEC



Title		
QFN48 AUDIO OUT		
Size B	Document Number	Rev
	RISC-V VUI	1.0
Date:	Thursday, March 31, 2022	Sheet 6 of 6