

1

2

3

4

D

D

C

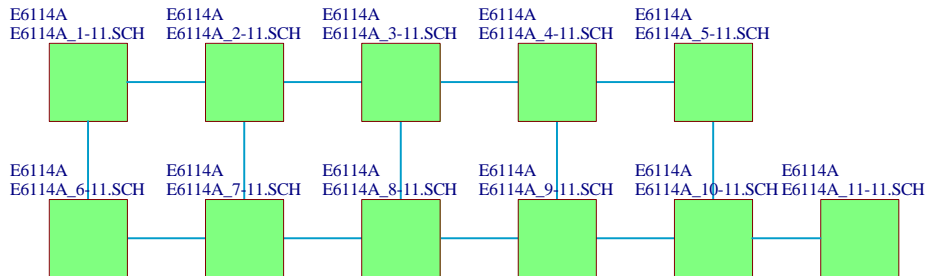
C

B

B

A

A



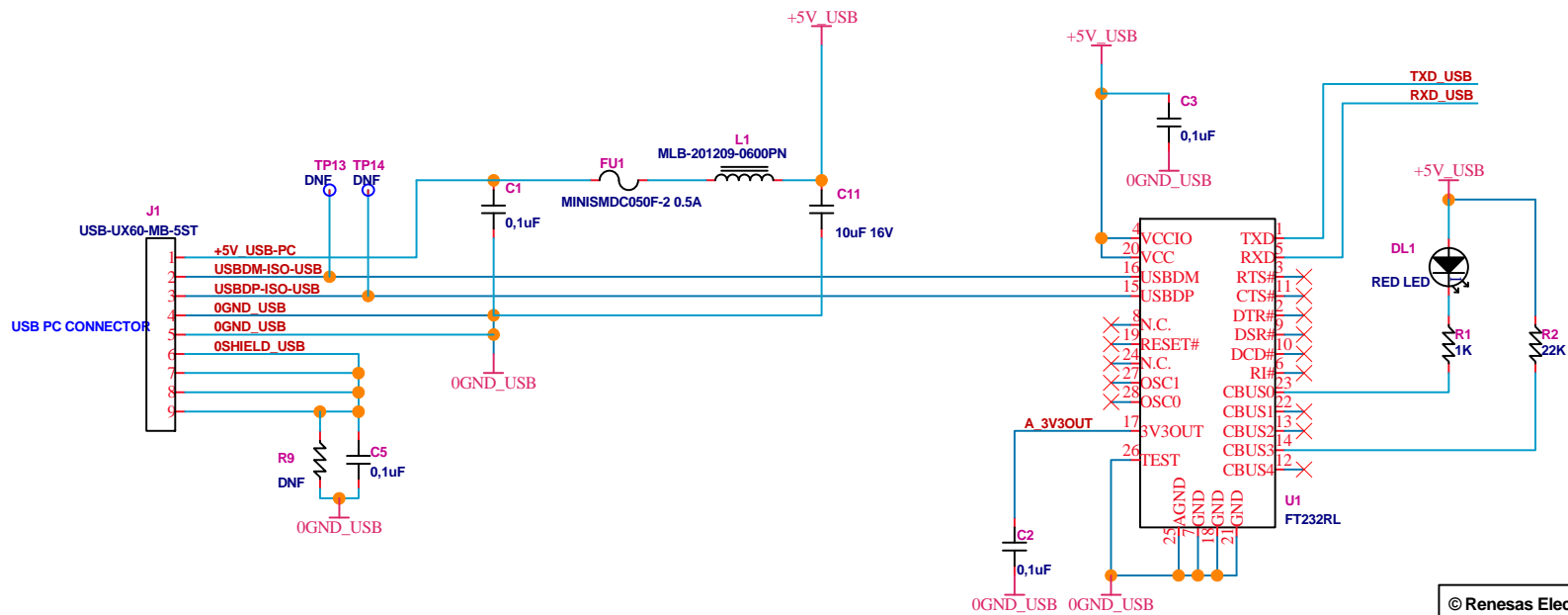
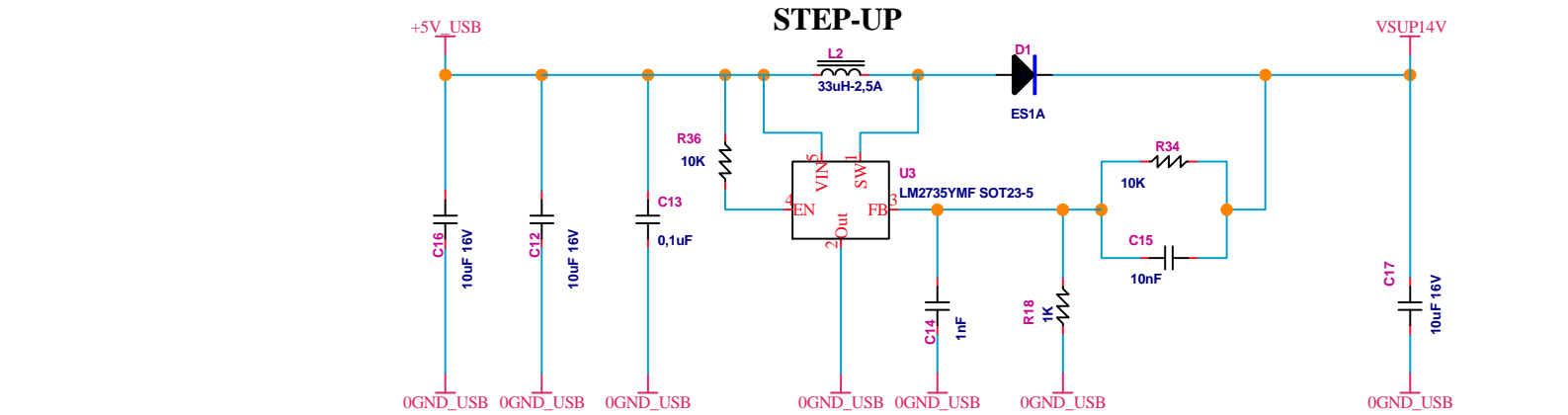
© Renesas Electronics Corporation 2013			
Title RX220 Low Cost Motor Control Starter Kit (YRMCKITRX220)			
Size A4	Document Number		Rev. 2.0
Date JUN, 29, 2013	Sheet .0	OF	.11

1

2

3

4



© Renesas Electronics Corporation 2013			
Title RX220 Low Cost Motor Control Starter Kit (YRMCKITRX220)			
Size A4	Document Number		Rev. 2.0
Date JUN, 29, 2013	Sheet .1	OF	.11

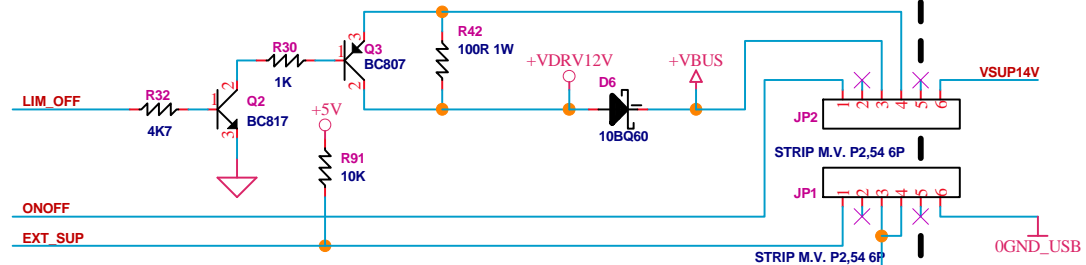
DESIGNATOR .PART TYPE

.E6114A .PCB FOR E6114A

ZZSYMBOL1 DNF

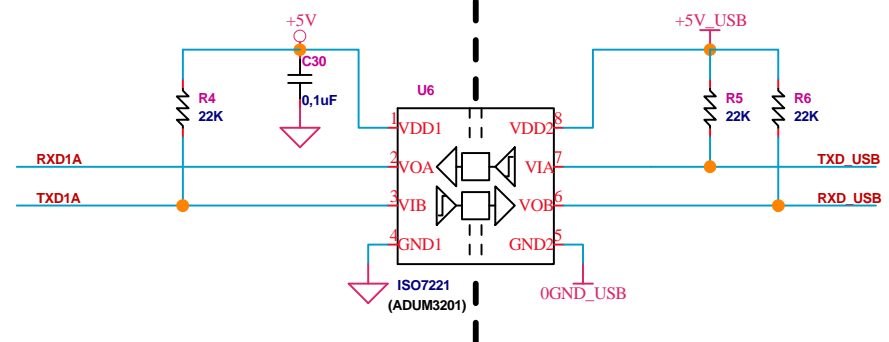
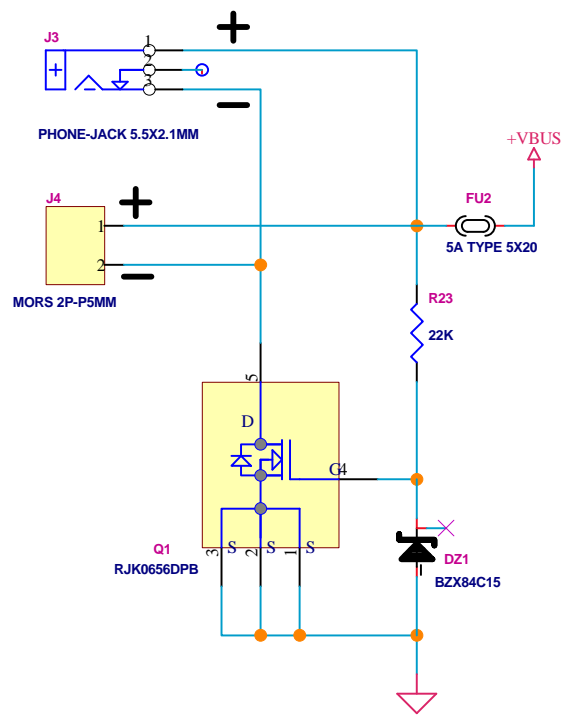
### INSULATING BARRIER

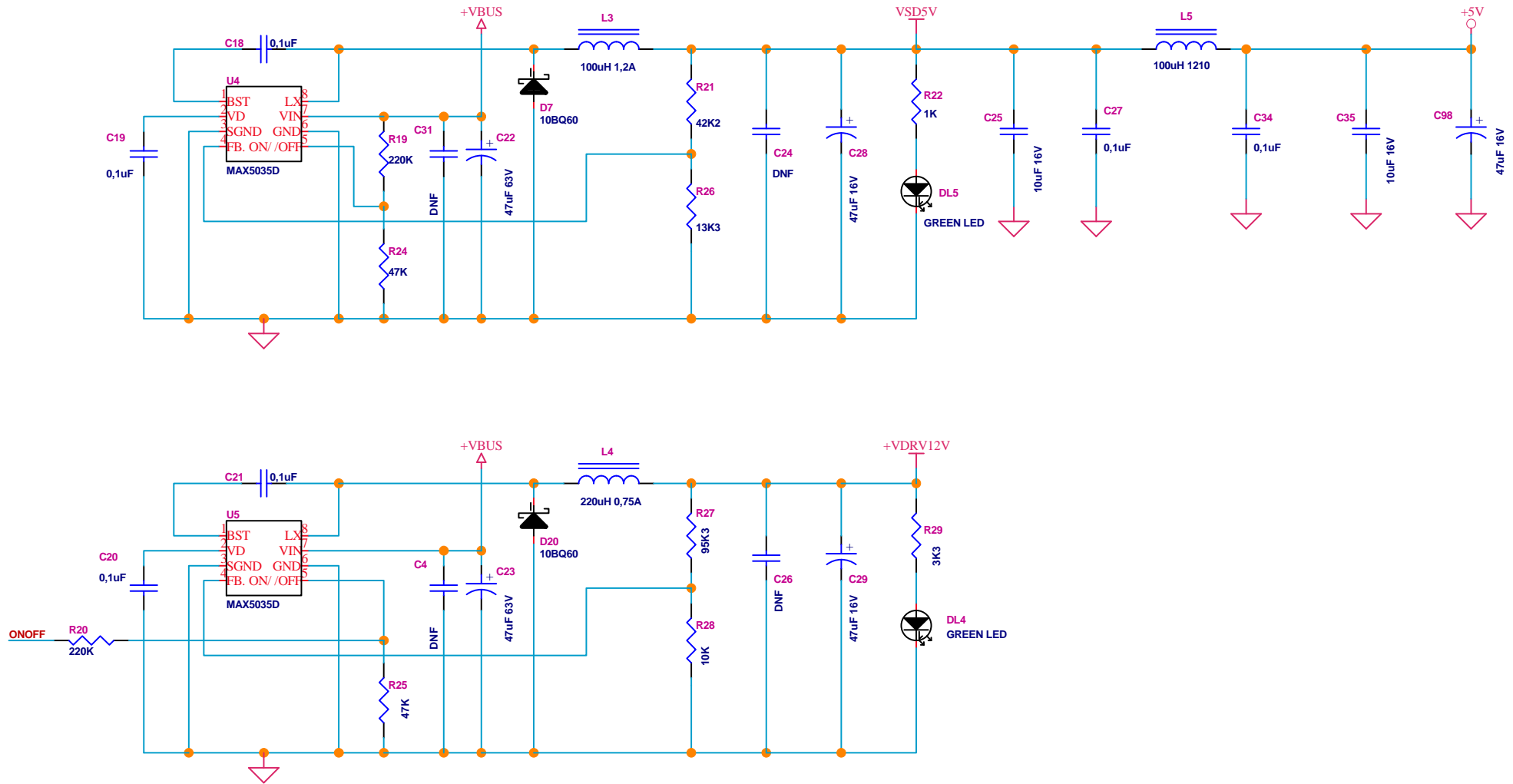
uP AREA | USB AREA

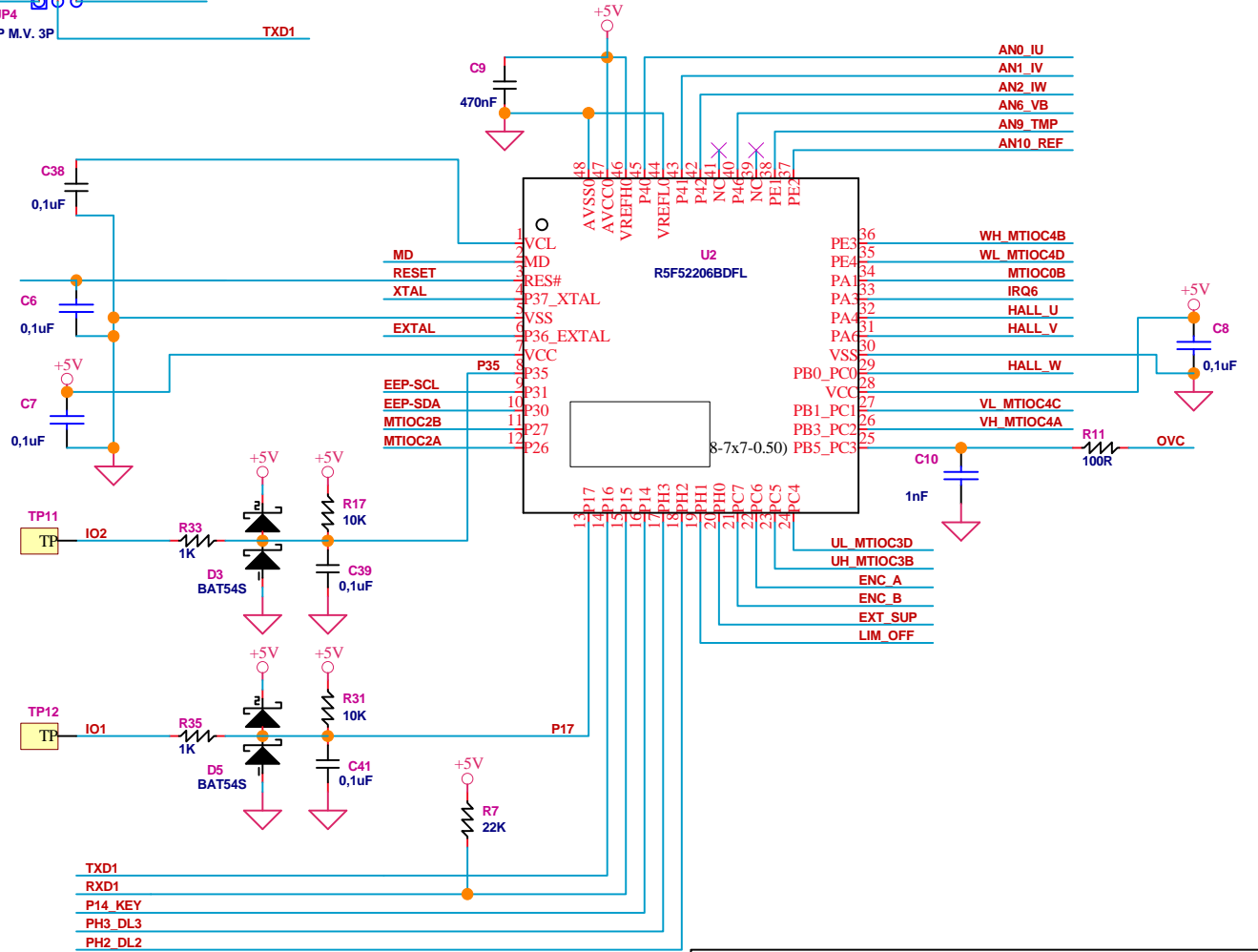
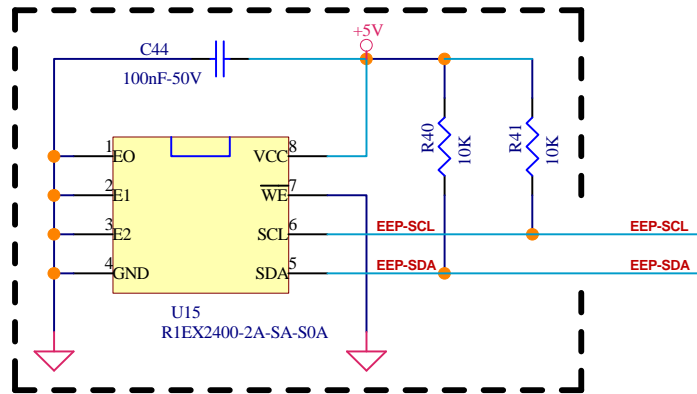
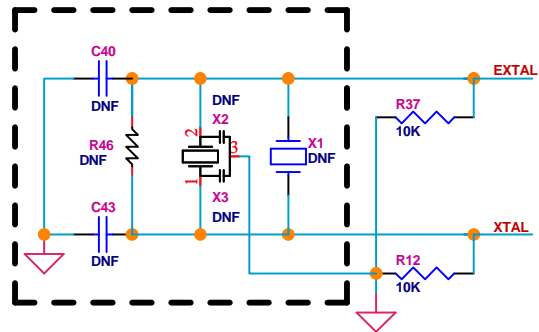
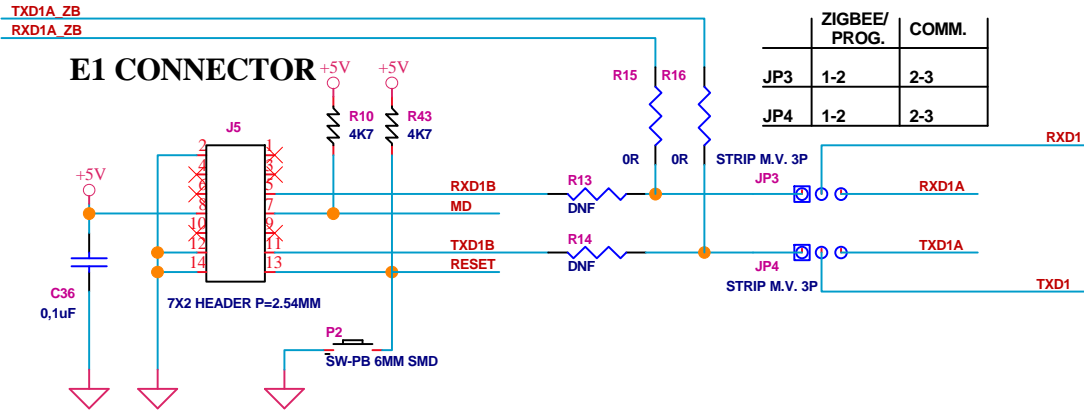


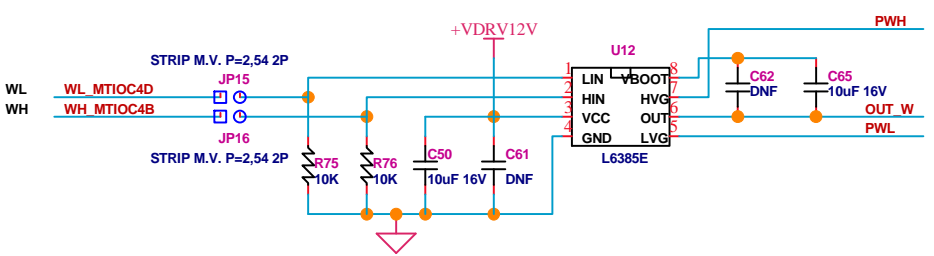
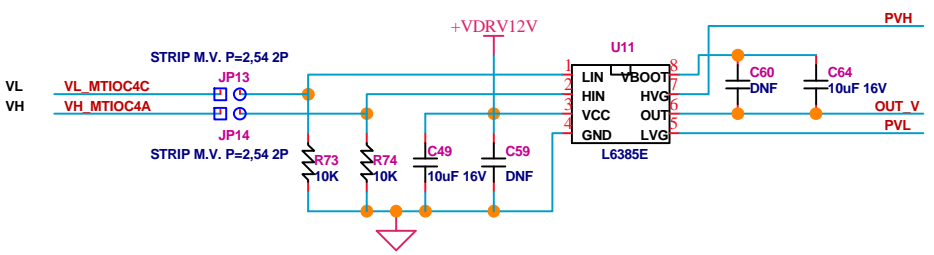
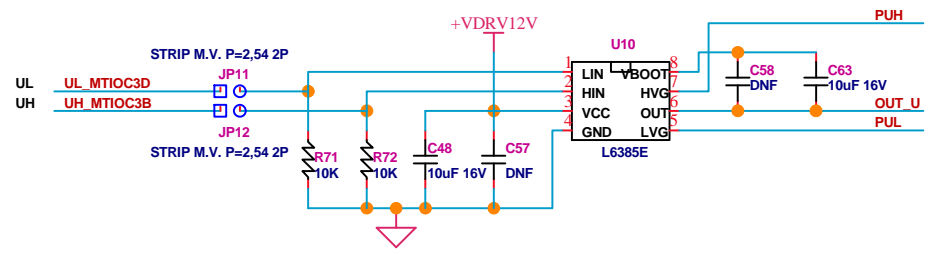
	EXT. POWER SUPPLY	USB POWER SUPPLY
JP1	1-3	4-6
JP2	1-3	4-6

### EXTERNAL DC POWER SUPPLY INPUT MAX 48V, 3A



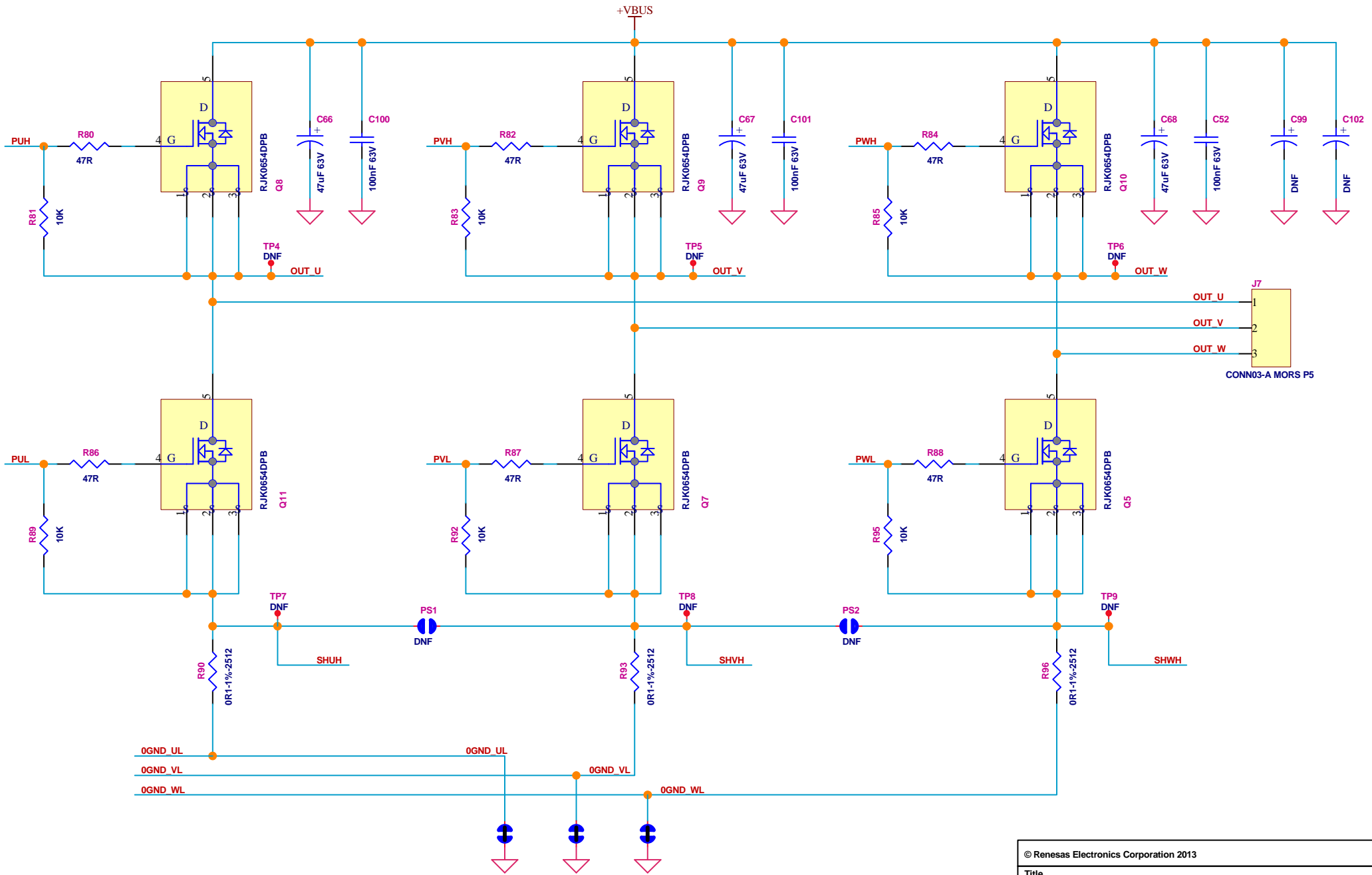




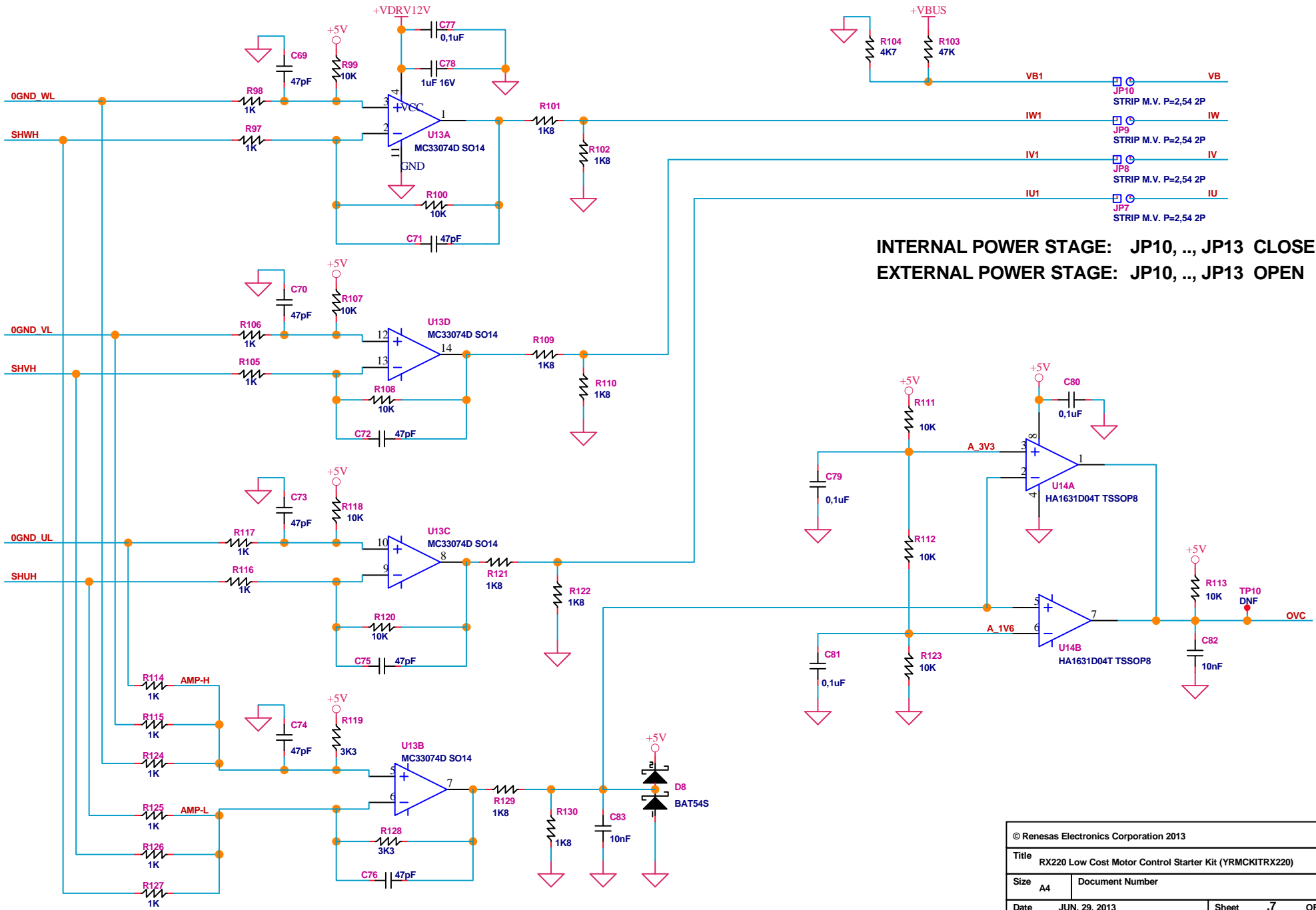


**INTERNAL POWER STAGE: JP14, ..., JP19 CLOSED**  
**EXTERNAL POWER STAGE: JP14, ..., JP19 OPEN**

© Renesas Electronics Corporation 2013		
Title RX220 Low Cost Motor Control Starter Kit (YRMCKITRX220)		
Size A4	Document Number	Rev. 2.0
Date JUN, 29, 2013	Sheet .5	OF .11



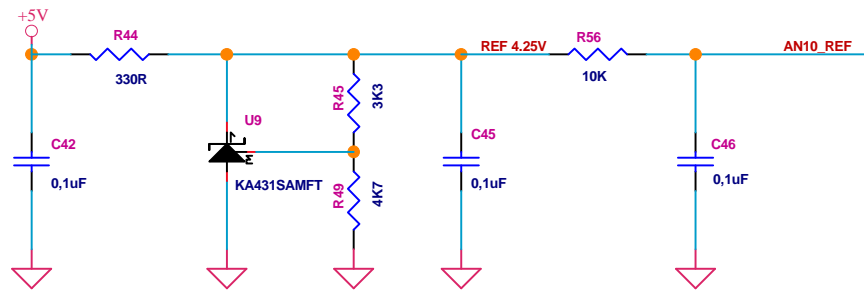
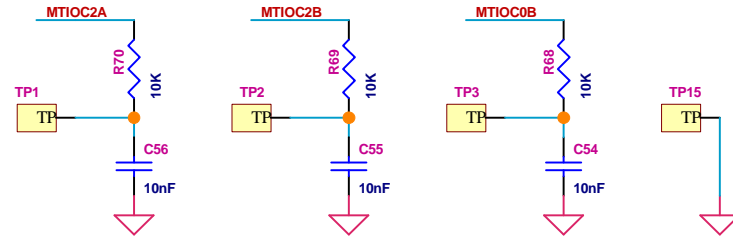
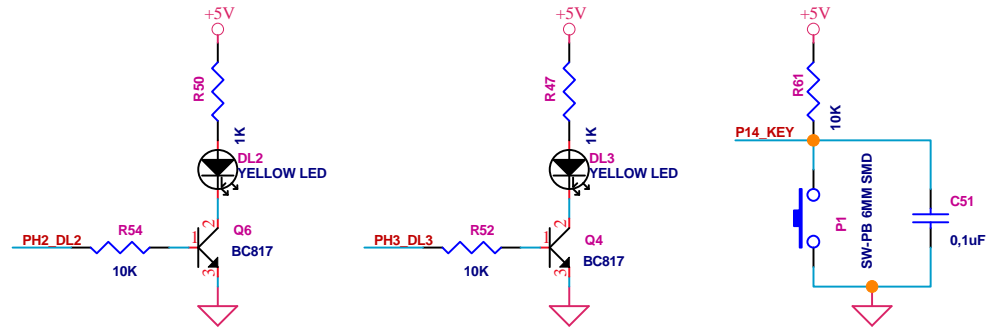
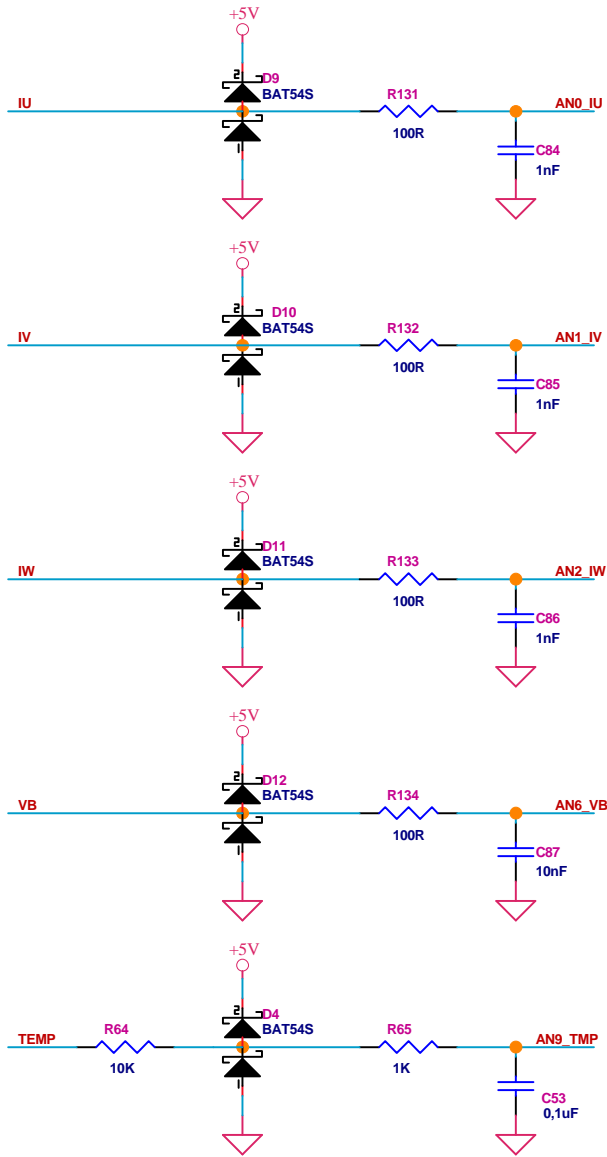
© Renesas Electronics Corporation 2013		
Title RX220 Low Cost Motor Control Starter Kit (YRMCKITRX220)		
Size A4	Document Number	Rev. 2.0
Date JUN, 29, 2013	Sheet .6	OF .11

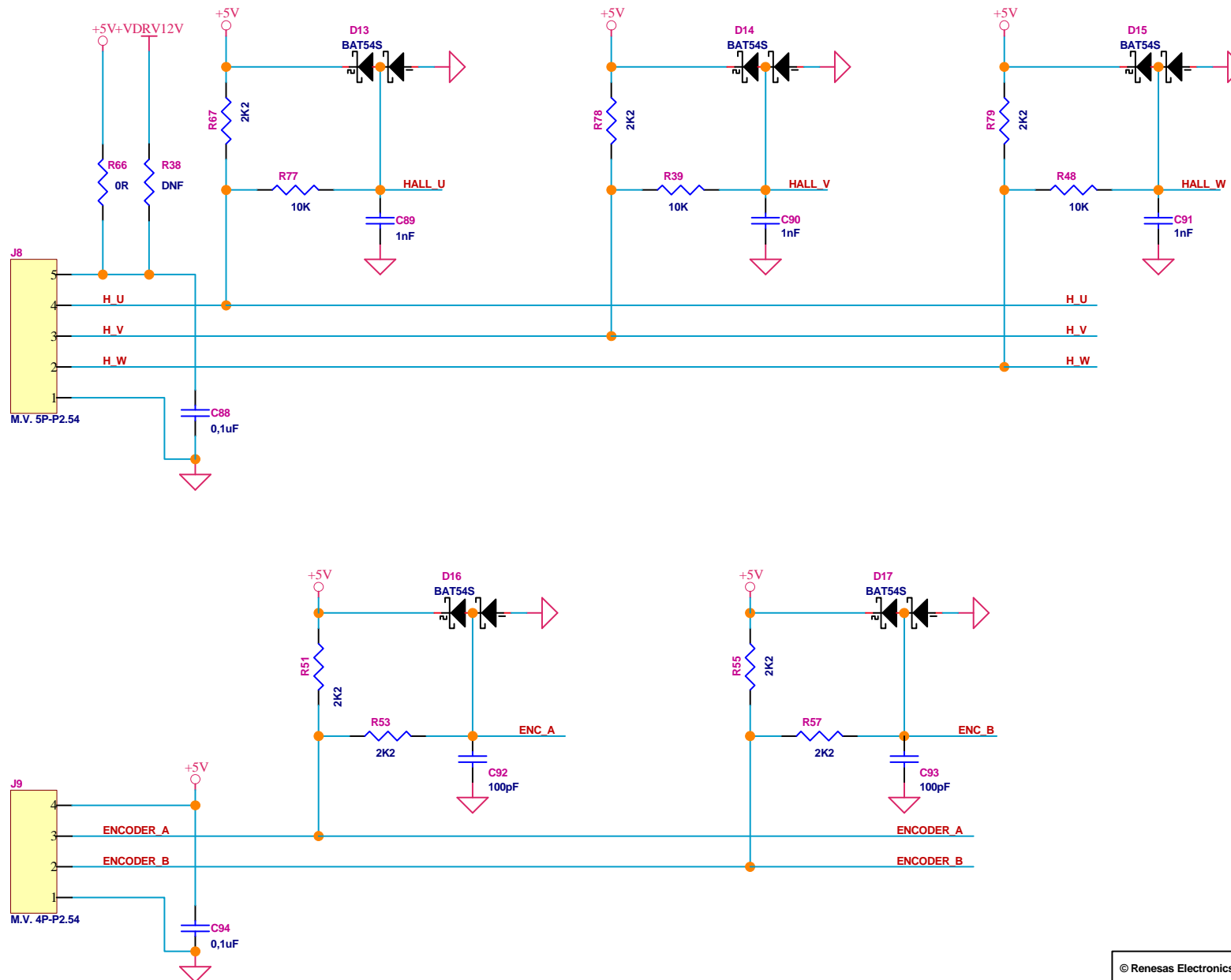


**INTERNAL POWER STAGE: JP10, ..., JP13 CLOSED**  
**EXTERNAL POWER STAGE: JP10, ..., JP13 OPEN**

© Renesas Electronics Corporation 2013			
Title RX220 Low Cost Motor Control Starter Kit (YRMCKITRX220)			
Size A4	Document Number		Rev. 2.0
Date JUN, 29, 2013	Sheet .7	OF	.11



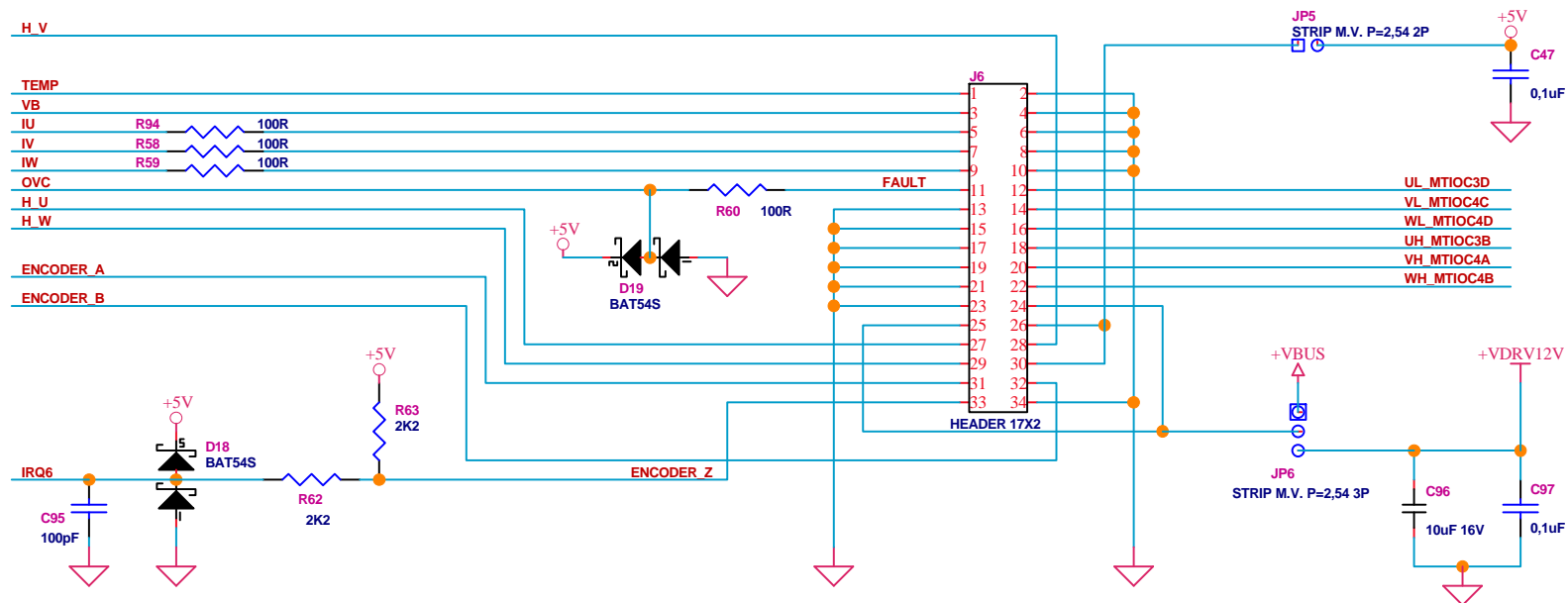




© Renesas Electronics Corporation 2013		
Title RX220 Low Cost Motor Control Starter Kit (YRMCKITRX220)		
Size A4	Document Number	Rev. 2.0
Date JUN, 29, 2013	Sheet .9	OF .11

### EXTERNAL POWER STAGE CONNECTOR

**WARNING: JP10, ..., JP19 MUST BE OPEN BEFORE CONNECTING J10**



© Renesas Electronics Corporation 2013		
Title RX220 Low Cost Motor Control Starter Kit (YRMCKITRX220)		
Size A4	Document Number	Rev. 2.0
Date JUN, 29, 2013	Sheet .10	OF .11

