


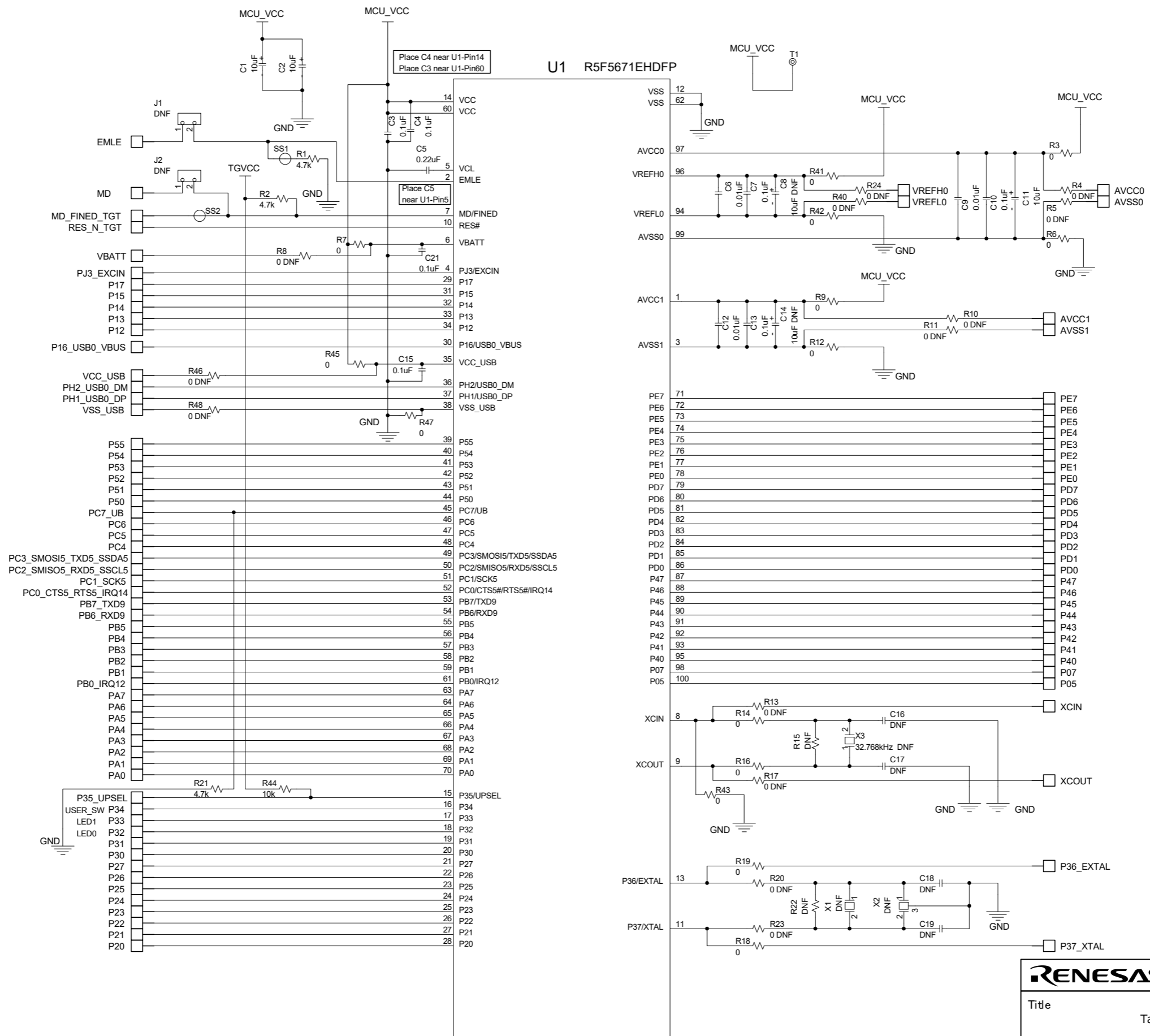
Target Board for RX671 Schematic  
(Product No: RTK5RX6710C00000BJ)

PAGE	DESCRIPTION
1	Index
2	MAIN
3	USER BLOCK
4	Emulator Circuit

- Note:  
 C, EC : Capacitor  
 D : Diode  
 R : Fixed Resistor  
 U, EU : Integrated Circuit  
 X : Crystal, Oscillator  
 SW, RES : Switch  
 LED : Light Emitting Diode  
 J, CN : Connector  
 N.C. : Not connected  
 ⊖ SS : Short-pad Short-type(Default : Short)  
 ⊖ SO : Short-pad Open-type(Default : Open)

\* "DNF" marking means that component is not fitted by default.

		Renesas Electronics Corporation	
Title Target Board for RX671 Schematic [Index]			
Size A3	Document Number R20UT4898EJ0100	Rev 1.00	
Date: Mar 1, 2021	Sheet 1 of 4		



<b>RENESAS</b>		Renesas Electronics Corporation	
Title Target Board for RX671 Schematic [MAIN]			
Size A3	Document Number R20UT4898EJ0100	Rev 1.00	
Date: Mar 1, 2021	Sheet 2 of 4		

1 2 3 4 5 6 7 8

A A

B B

C C

D D

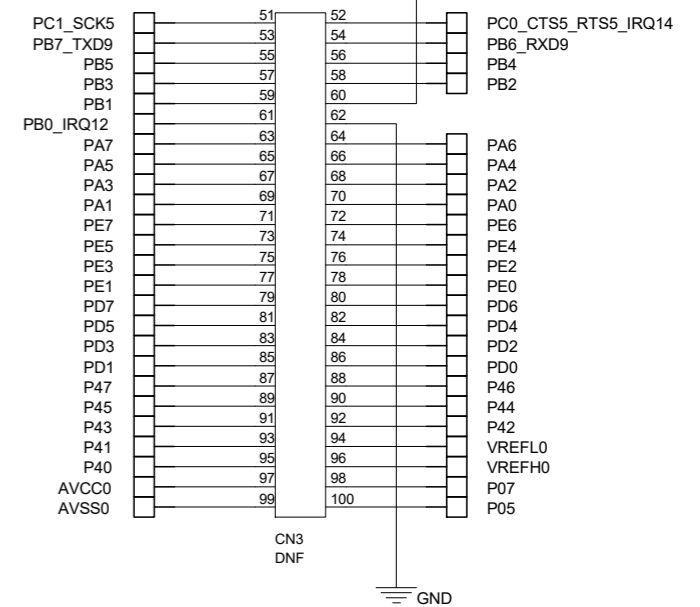
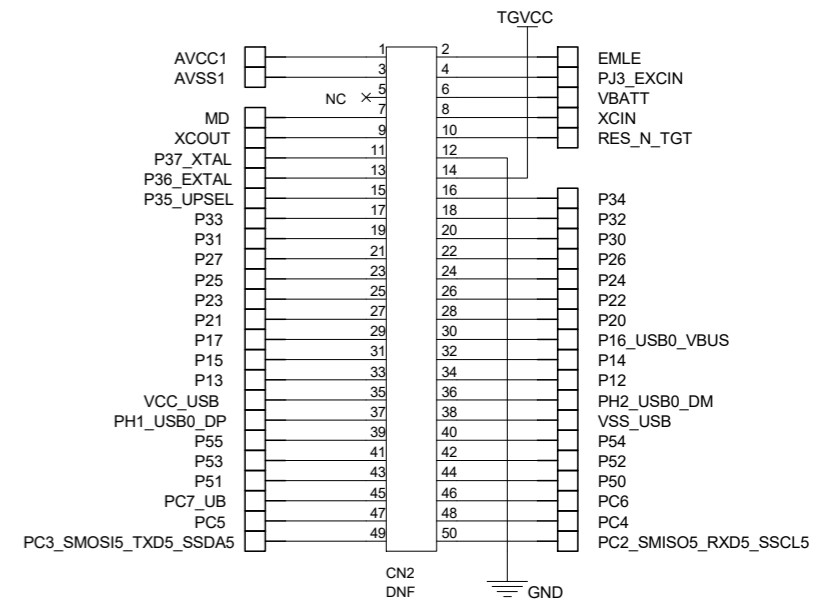
E E

F F

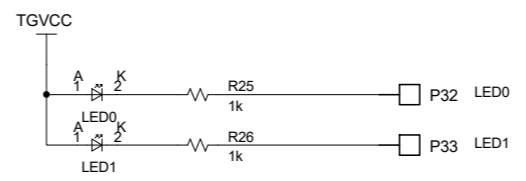
G G

H H

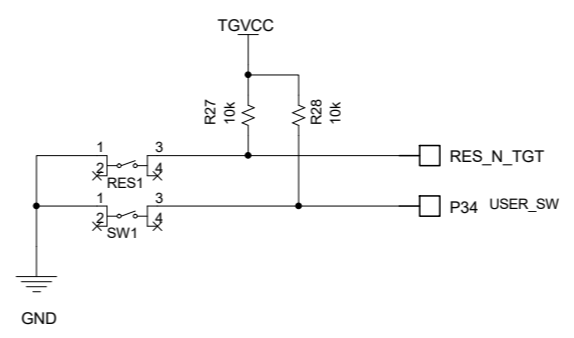
# MCU HEADER



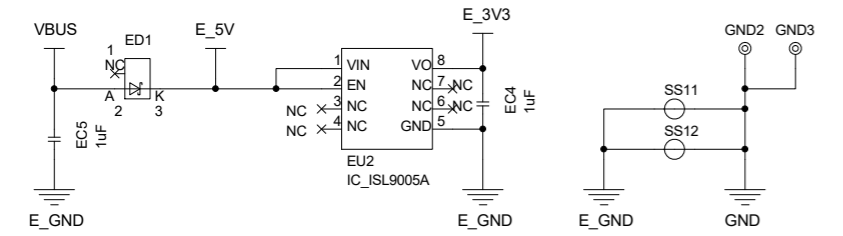
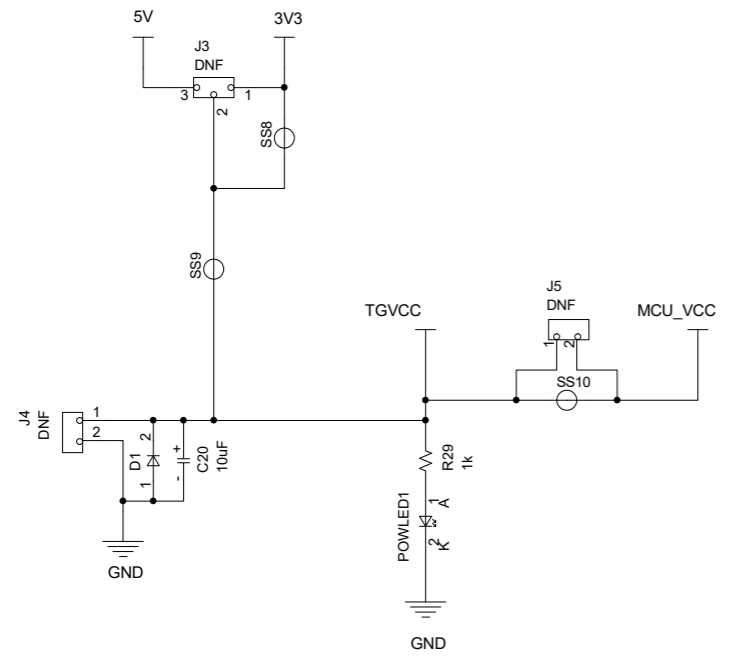
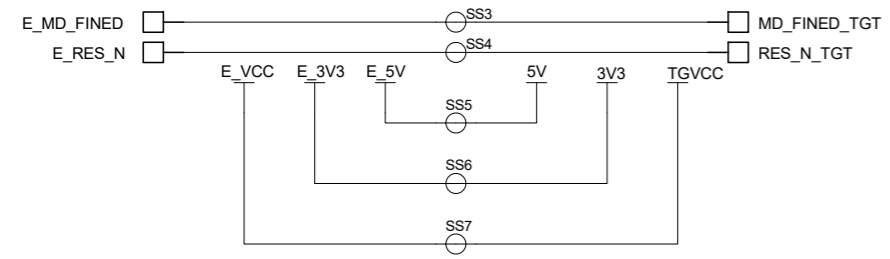
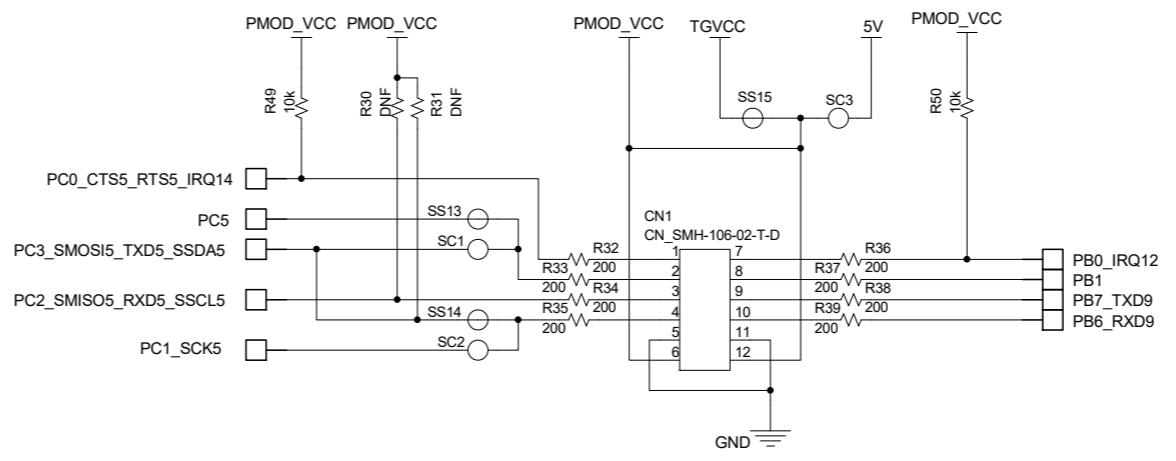
## LED



## Switch



## PMOD



<b>RENESAS</b>		Renesas Electronics Corporation	
Title Target Board for RX671 Schematic [USER BLOCK]			
Size A3	Document Number R20UT4898EJ0100	Rev 1.00	
Date:	Mar 1, 2021	Sheet	3 of 4

1 2 3 4 5 6 7 8

1 2 3 4 5 6 7 8

A

A

B

B

C

C

D

D

E

E

F

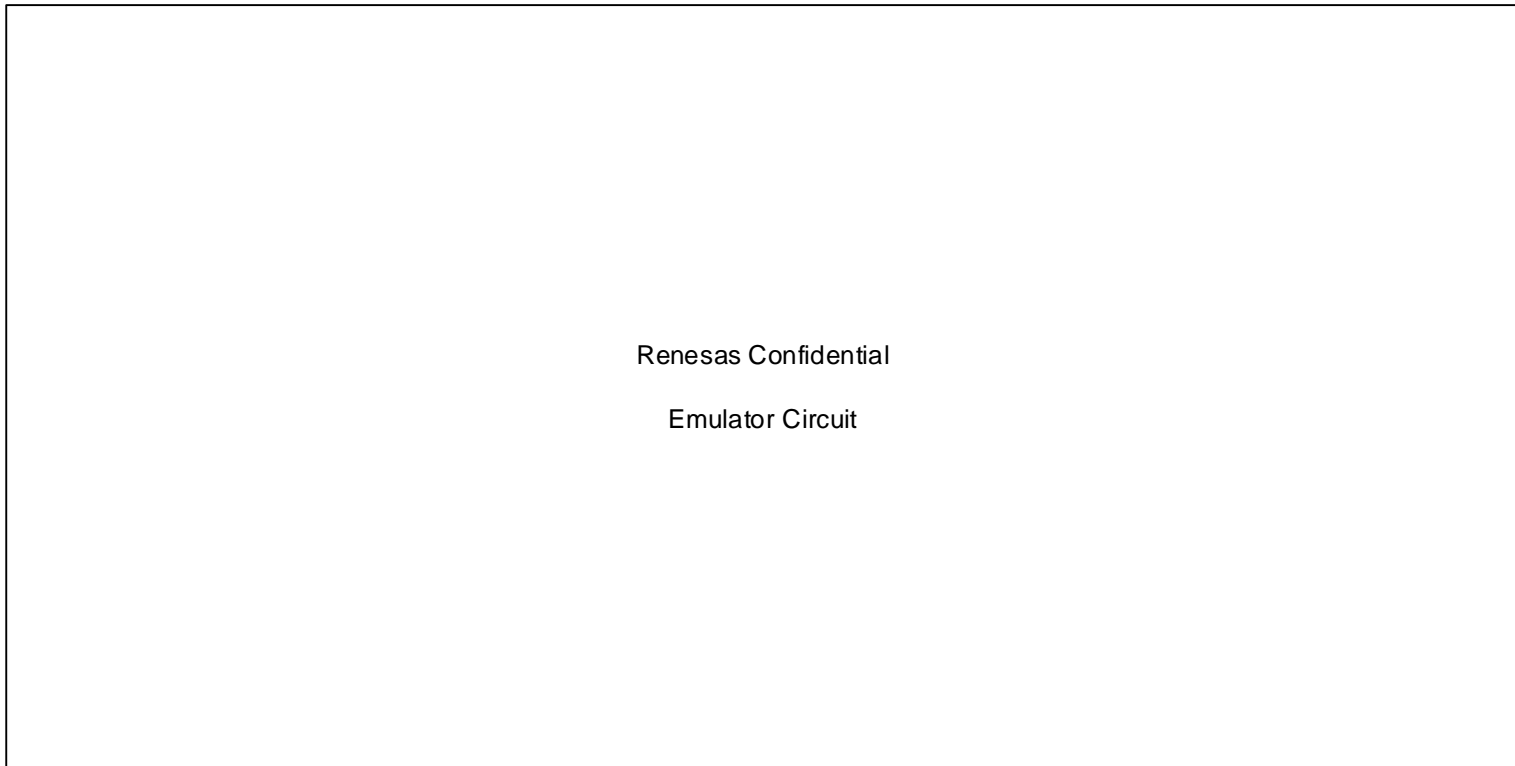
F

G

G

H

H



<b>RENESAS</b>		Renesas Electronics Corporation	
Title Target Board for RX671 Schematic [Emulator Circuit]			
Size A3	Document Number R20UT4898EJ0100		Rev 1.00
Date: Mar 1, 2021	Sheet 4 of 4		

1 2 3 4 5 6 7 8