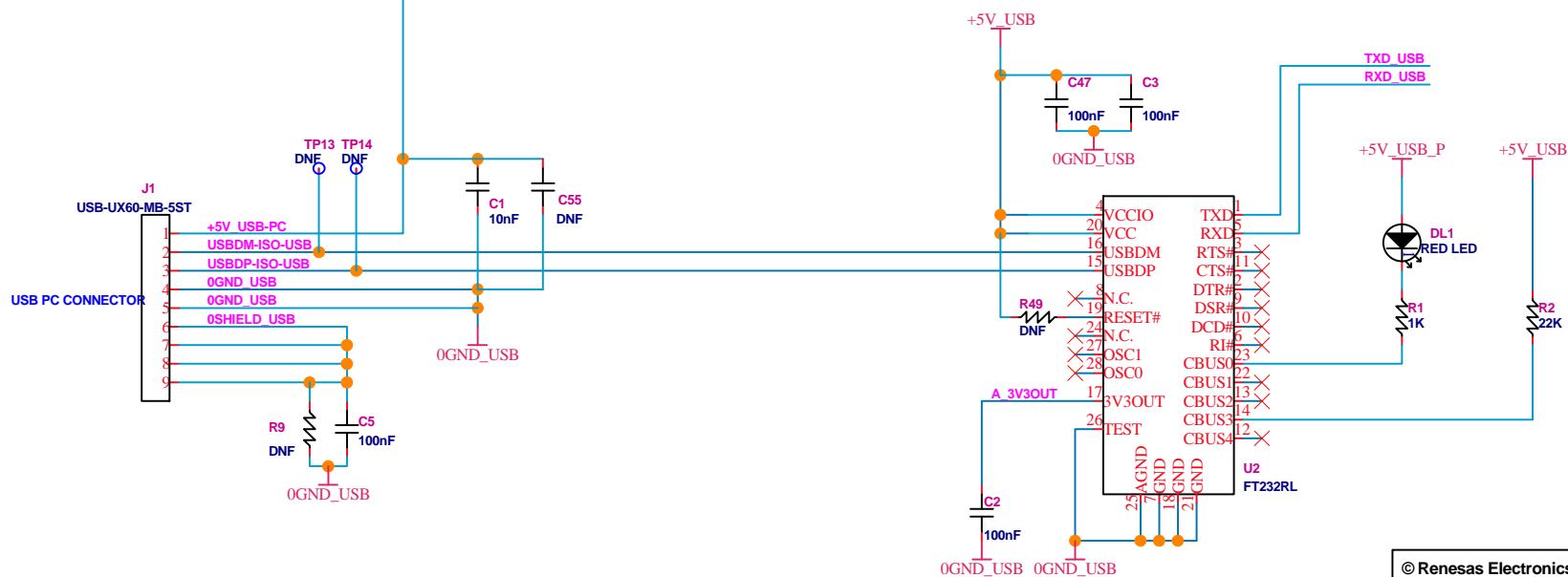
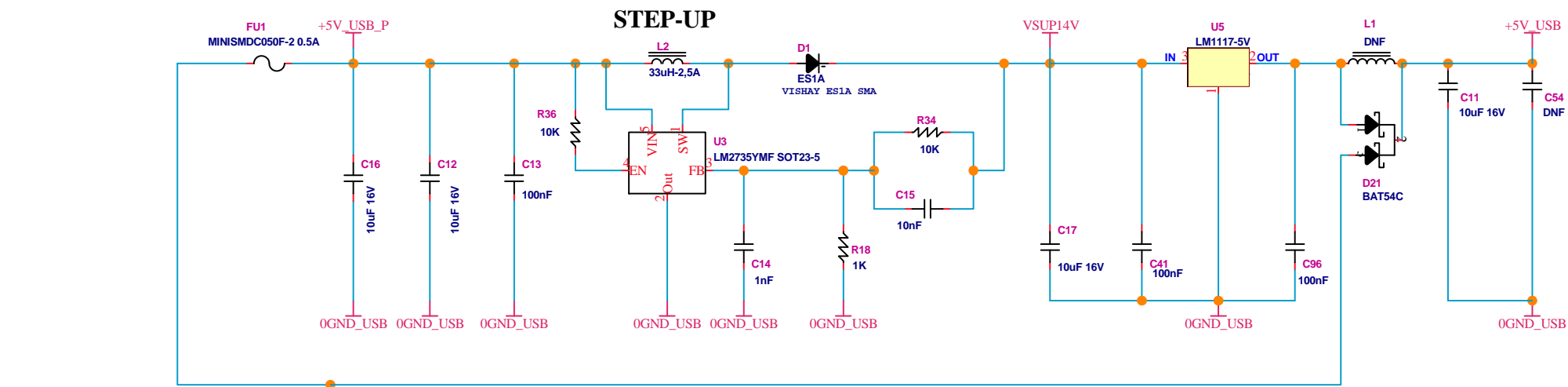
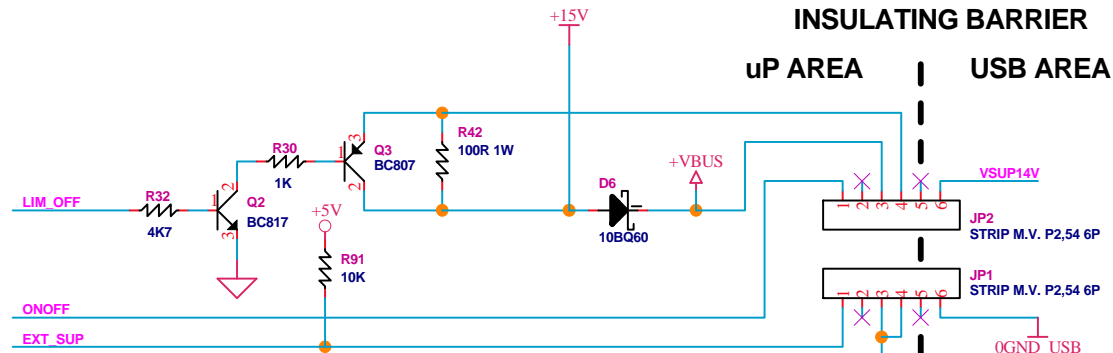


© Renesas Electronics Corporation 2015		
Title RX23T Low Cost Motor Control Starter Kit (YROTATE-IT-RX23T)		
Size A4	Document Number YROTATE-IT-RX23T	Rev. 1.0
Date APR, 29, 2015	Sheet .0	OF .10



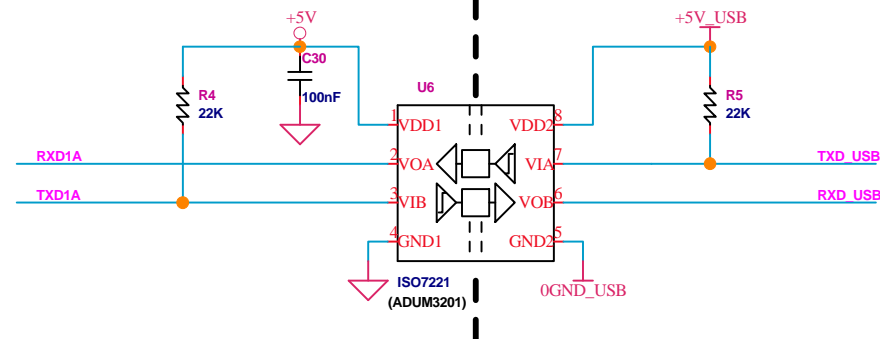
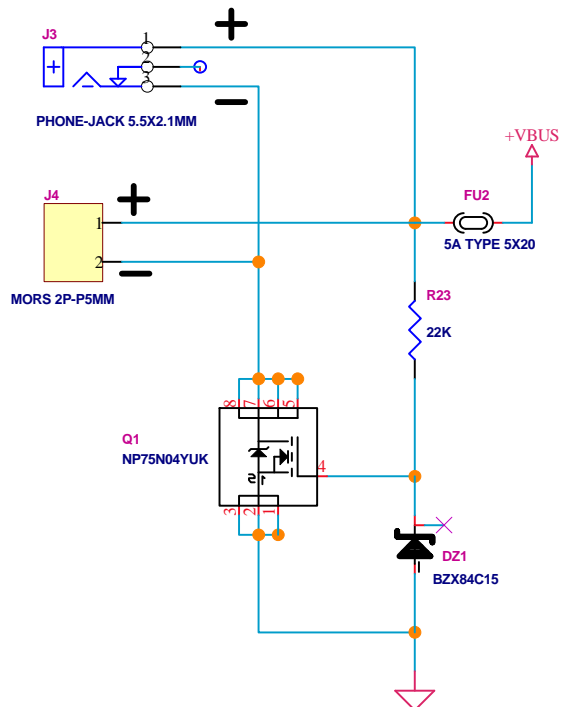
© Renesas Electronics Corporation 2015		
Title RX23T Low Cost Motor Control Starter Kit (YROTATE-IT-RX23T)		
Size A4	Document Number YROTATE-IT-RX23T	Rev. 1.0
Date APR, 29, 2015	Sheet .1	OF .10

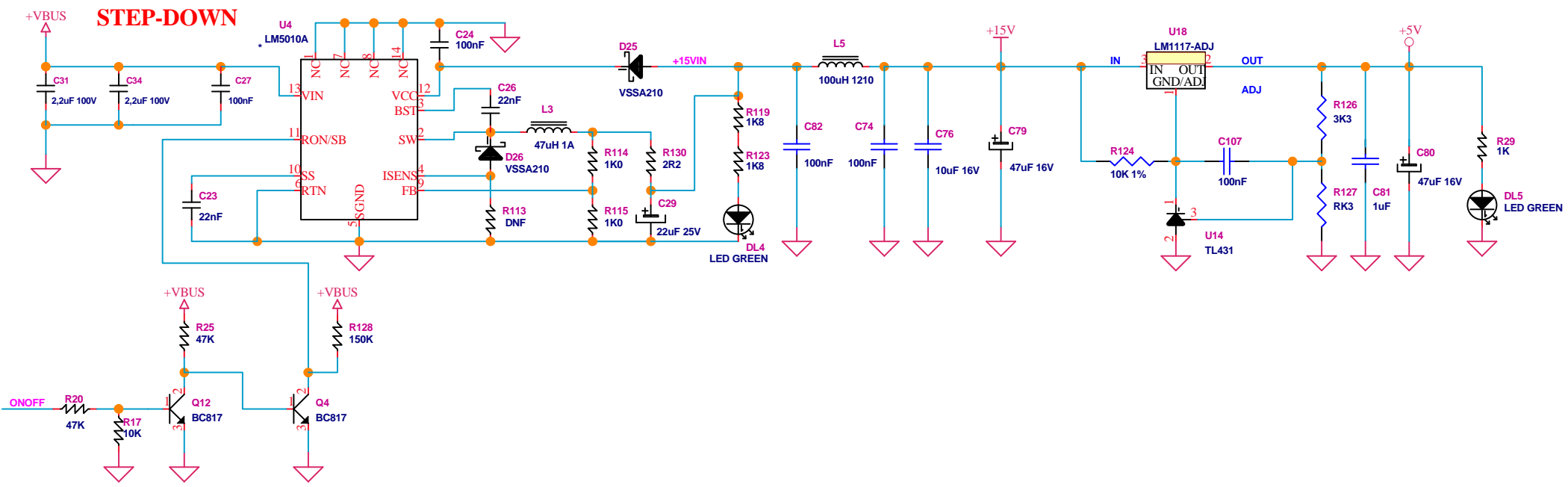
000NET 000NET
 .DESIGNATOR L... PART TYPE
 .E6132 .PCB FOR (YROTATE-IT-RX23T1)
 .ZZSYMBOL1 DNF



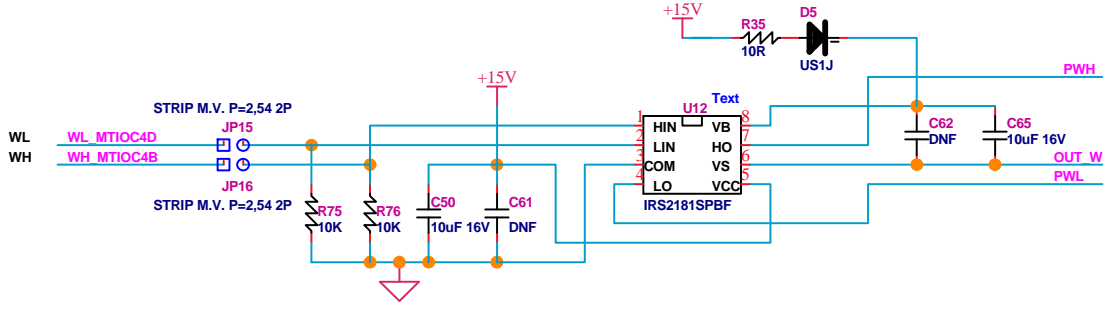
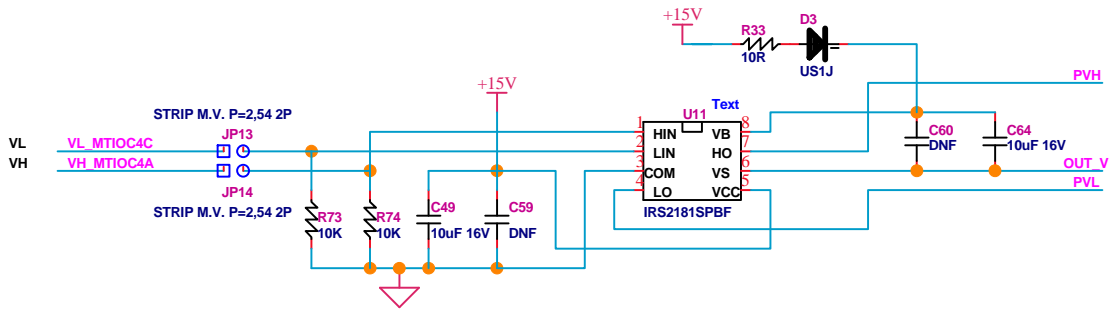
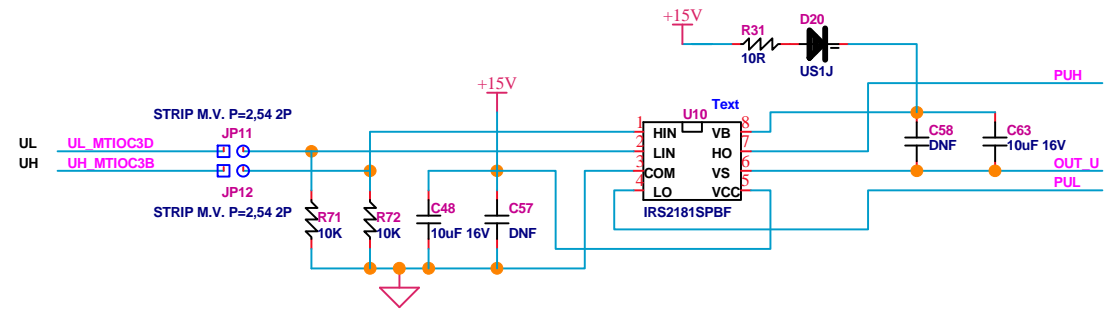
	EXT. POWER SUPPLY	USB POWER SUPPLY
JP1	1-3	4-6
JP2	1-3	4-6

**EXTERNAL DC POWER SUPPLY INPUT
MAX 48V, 3A**

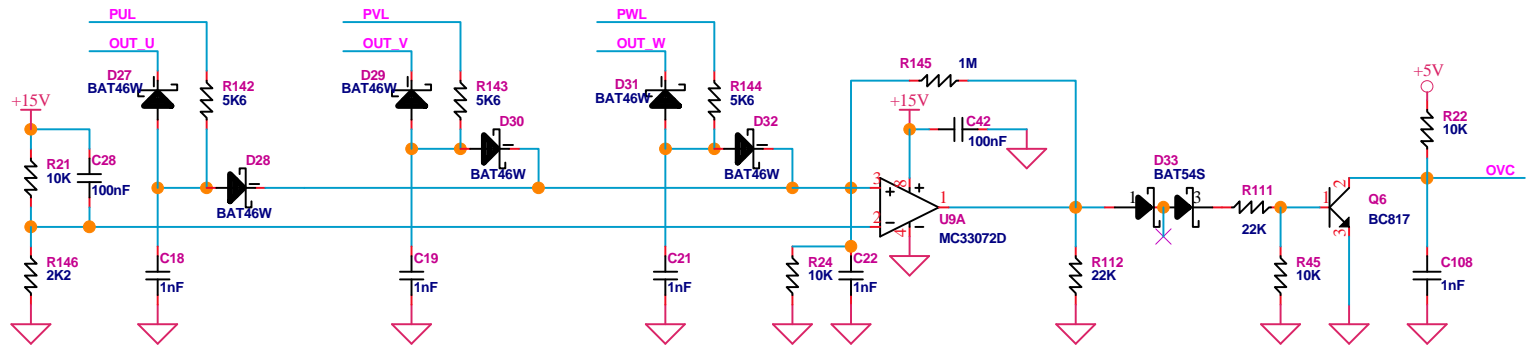




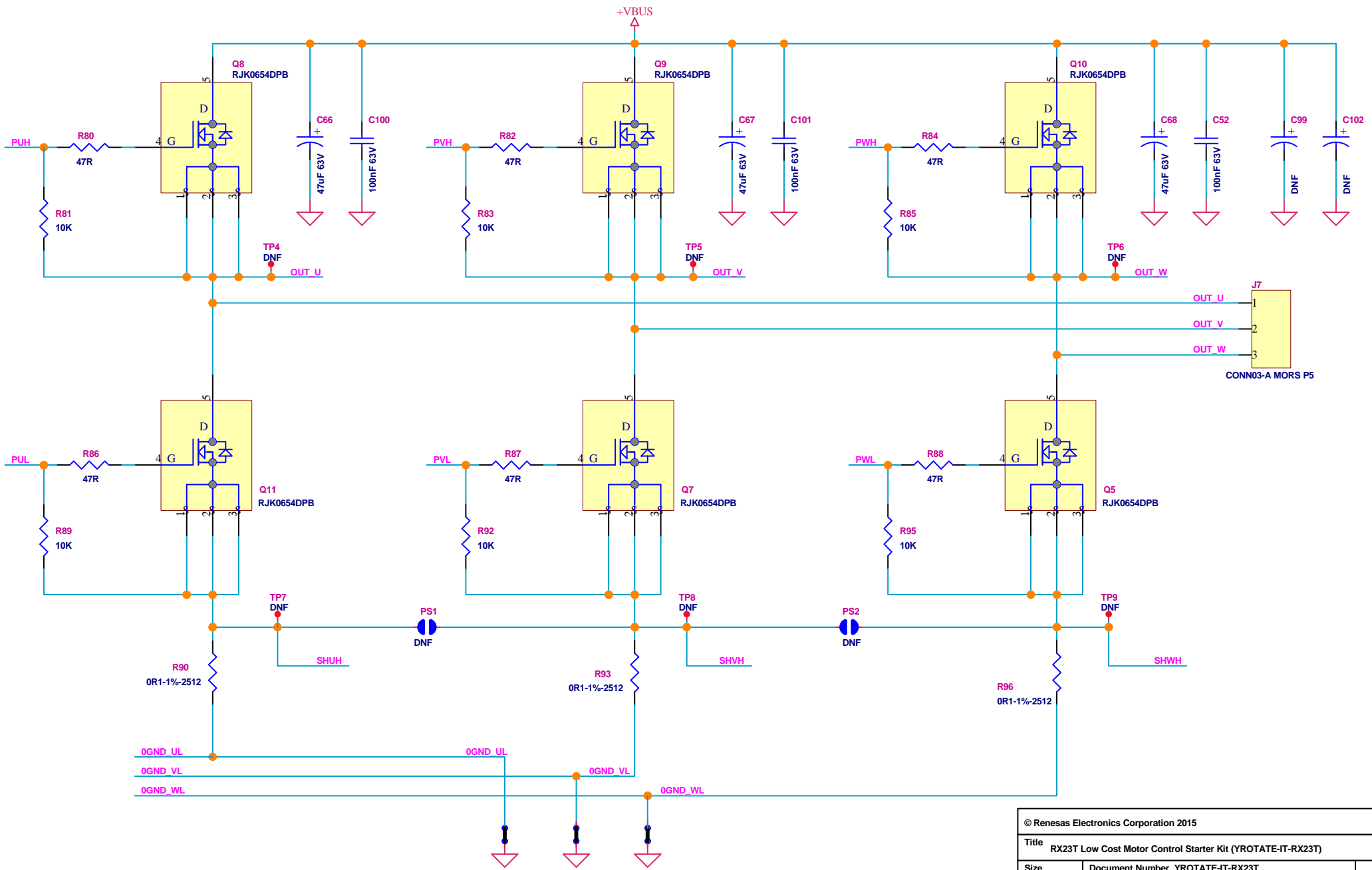
© Renesas Electronics Corporation 2015			
Title RX23T Low Cost Motor Control Starter Kit (YROTATE-IT-RX23T)			
Size A4	Document Number YROTATE-IT-RX23T	Rev. 1.0	
Date APR, 29, 2015	Sheet .3	OF	.10



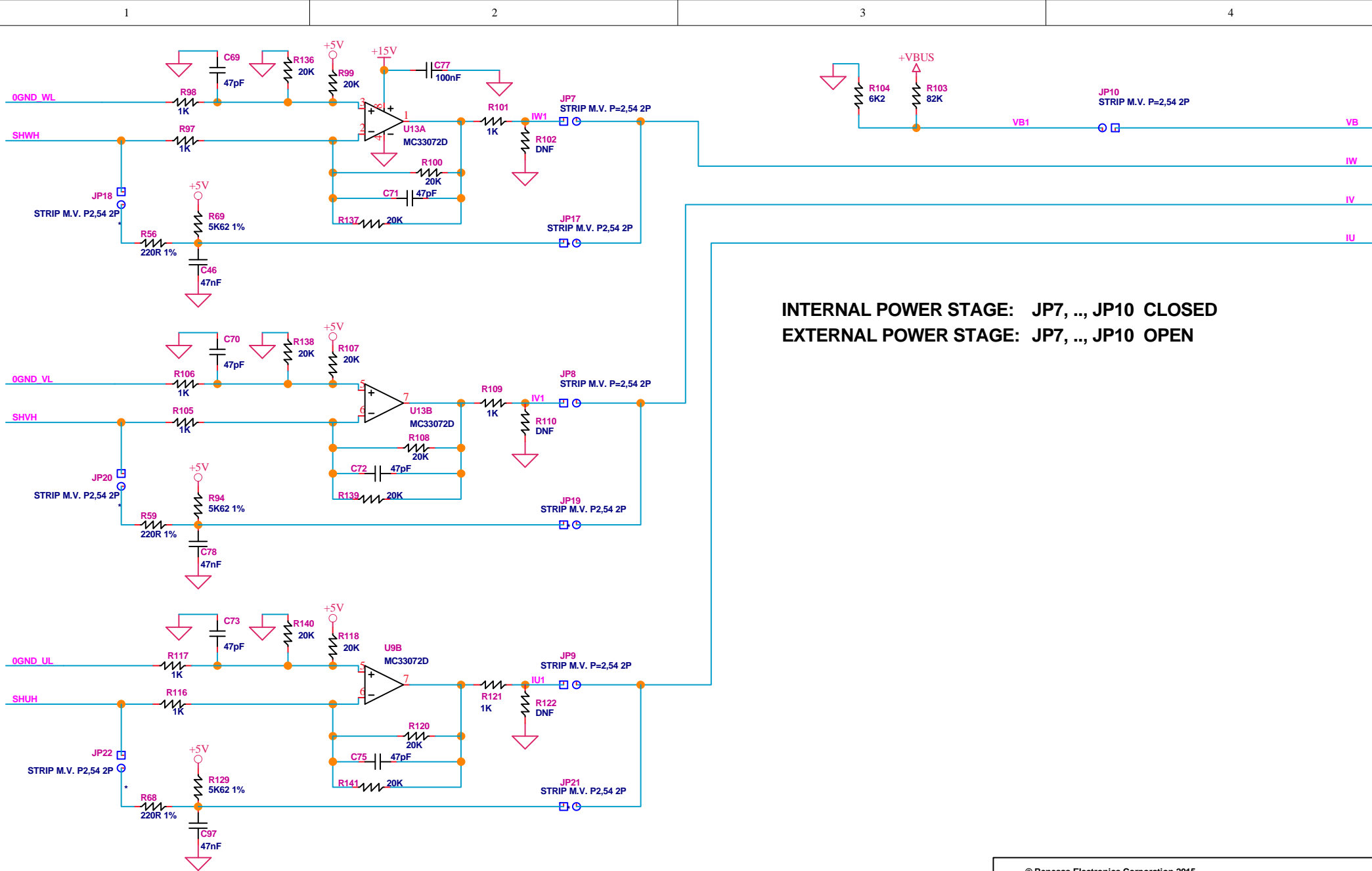
INTERNAL POWER STAGE: JP11, ..., JP16 CLOSED
EXTERNAL POWER STAGE: JP11, ..., JP16 OPEN



© Renesas Electronics Corporation 2015		
Title RX23T Low Cost Motor Control Starter Kit (YROTATE-IT-RX23T)		
Size A4	Document Number YROTATE-IT-RX23T	Rev. 1.0
Date APR, 29, 2015	Sheet .5	OF .10

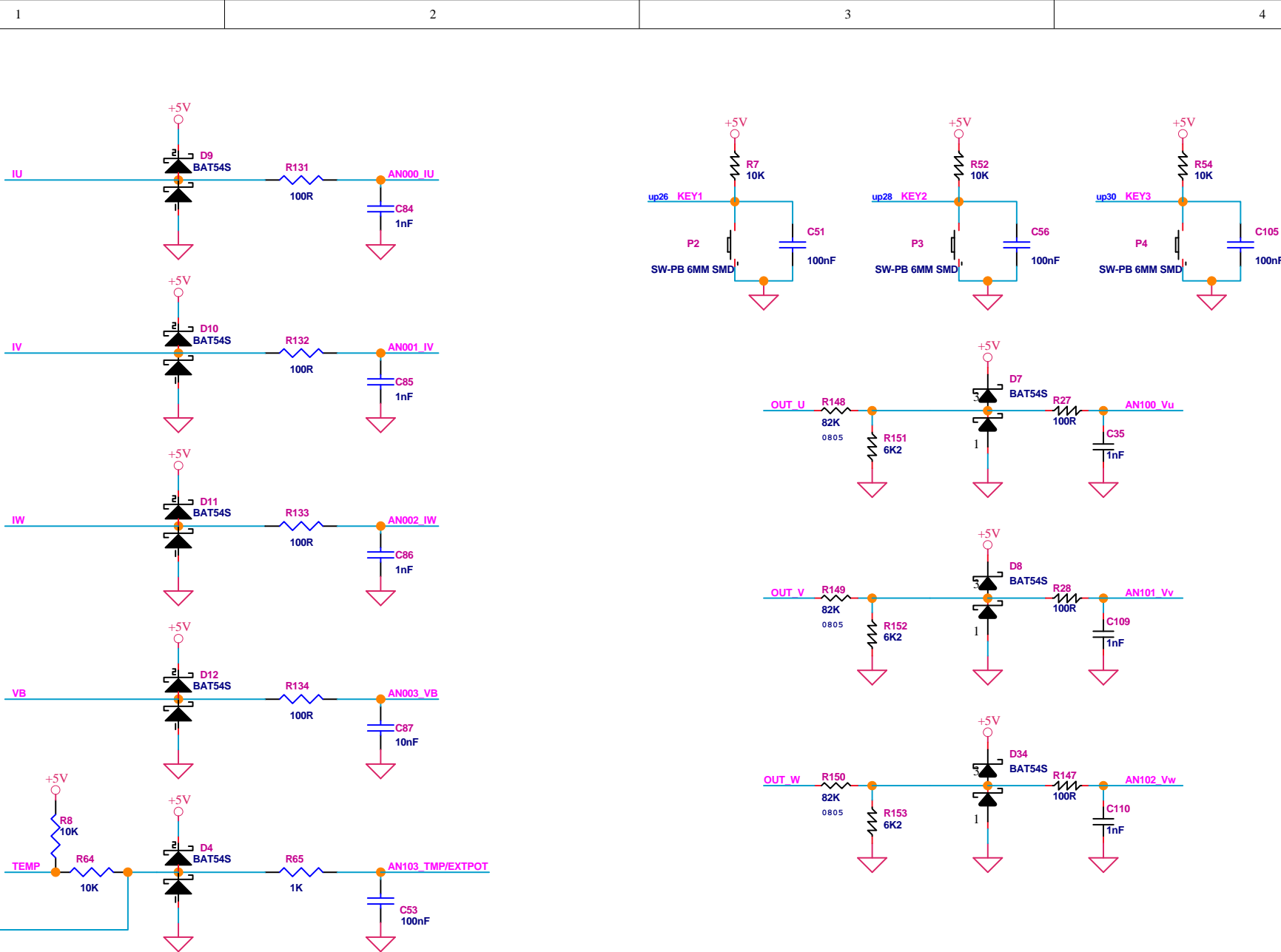


© Renesas Electronics Corporation 2015		
Title RX23T Low Cost Motor Control Starter Kit (YROTATE-IT-RX23T)		
Size A4	Document Number YROTATE-IT-RX23T	Rev. 1.0
Date APR, 29, 2015	Sheet .6	OF .10



INTERNAL POWER STAGE: JP7, ..., JP10 CLOSED
EXTERNAL POWER STAGE: JP7, ..., JP10 OPEN

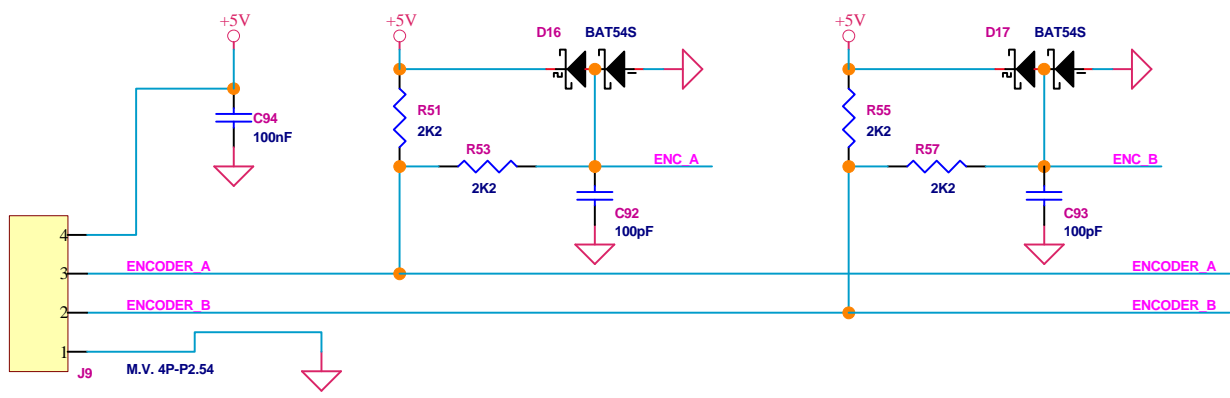
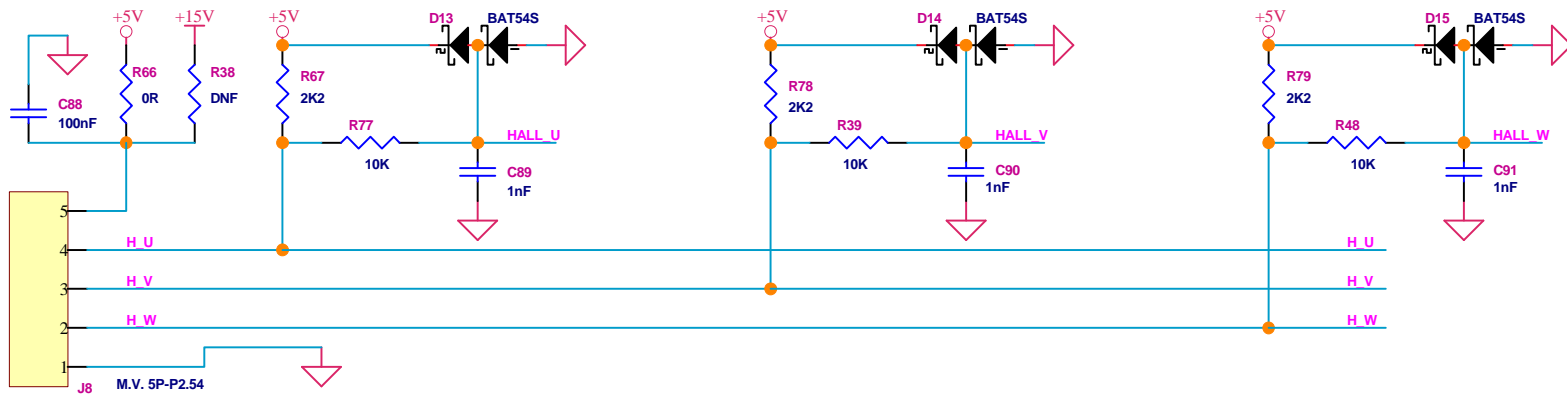
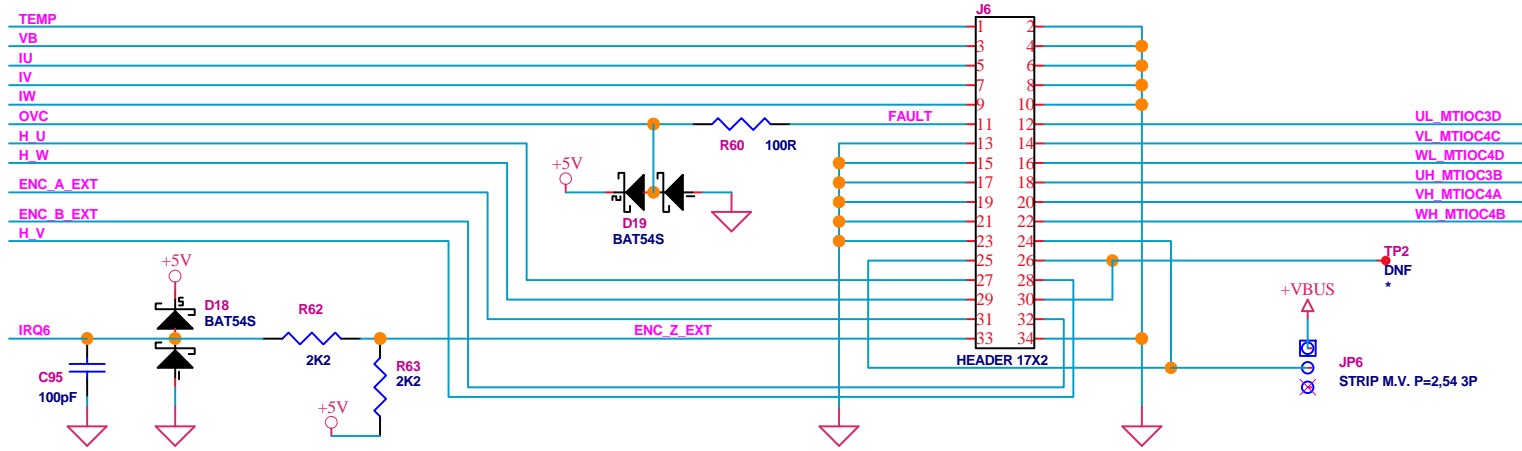
© Renesas Electronics Corporation 2015		
Title RX23T Low Cost Motor Control Starter Kit (YROTATE-IT-RX23T)		
Size A4	Document Number YROTATE-IT-RX23T	Rev. 1.0
Date APR, 29, 2015	Sheet .7	OF .10



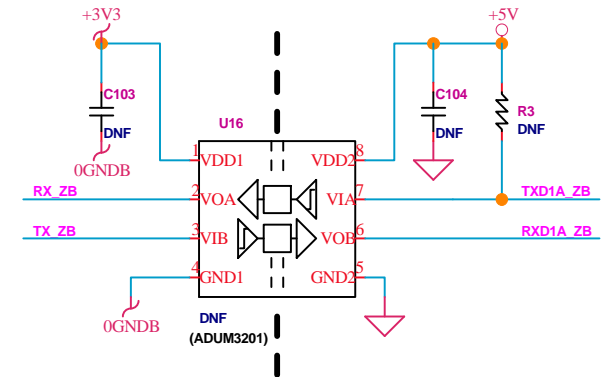
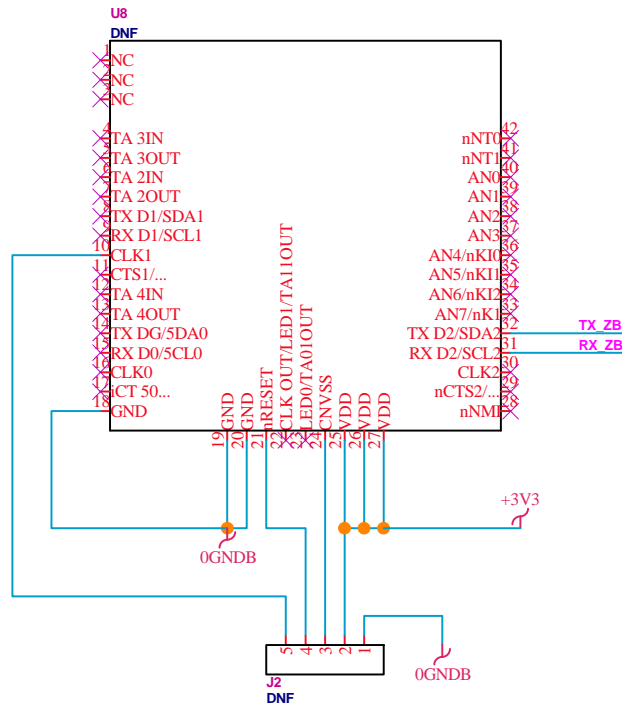
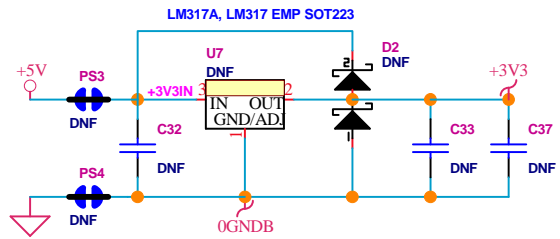
© Renesas Electronics Corporation 2015		
Title RX23T Low Cost Motor Control Starter Kit (YROTATE-IT-RX23T)		
Size A4	Document Number YROTATE-IT-RX23T	Rev. 1.0
Date APR, 29, 2015	Sheet .8	OF .10

EXTERNAL POWER STAGE CONNECTOR

WARNING: JP7, ..., JP16+JP17+JP19+JP21 MUST BE OPEN BEFORE CONNECTING J6



© Renesas Electronics Corporation 2015		
Title RX23T Low Cost Motor Control Starter Kit (YROTATE-IT-RX23T)		
Size A4	Document Number YROTATE-IT-RX23T	Rev. 1.0
Date APR, 29, 2015	Sheet .9	OF .10



© Renesas Electronics Corporation 2015		
Title RX23T Low Cost Motor Control Starter Kit (YROTATE-IT-RX23T)		
Size A4	Document Number YROTATE-IT-RX23T	Rev. 1.0
Date APR, 29, 2015	Sheet .10	OF .10