

**Introduction**

Some designers (especially digital designers doing analog design) are intimidated by current feedback amplifiers (CFAs), thus they don't take advantage of the CFA's superior frequency performance. CFAs have become pervasive because they have an architectural advantage that delivers high bandwidth and slew rate at low supply currents. A designer without CFAs in his arsenal is inadequately armed for today's high speed design challenges.

Most of your voltage feedback amplifier (VFA) knowledge is applicable to CFA design because the ideal equations for both amplifiers are identical. The VFA attempts to drive the input error voltage to zero, while the CFA attempts to drive the input error current to zero, so understanding the VFA feedback mechanism simplifies the task of understanding CFA operation. Two characteristics of the CFA will take some getting used to: the closed loop bandwidth is relatively independent of the closed loop gain, and the amplifier's stability is dependent on the feedback resistor value. Both of these differences offer significant advantages for the CFA with very little drawback.

The simplified approach presented here may not be adequate for the more scientifically inclined reader, thus, if a more detailed analysis (including in-depth mathematical derivations) is desired the reader is encouraged to peruse reference [1].

**Simplified CFA Model**

The simplified CFA model is shown in Figure 1. The external resistors,  $R_G$  and  $R_F$ , are the gain and feedback elements which determine the gain and bandwidth performance, thus

the object is to determine the proper value for these resistors. When the circuit is configured for non-inverting gain (Figure 1), the input for the circuit is +IN. This terminal connects to a unity gain buffer input, so it has the characteristics of high input impedance and low bias current. Conversely, the -IN input connects to the output of the same buffer.  $R_B$  models the output resistance of the buffer, but it is usually a small value which can be ignored. The -IN input has the characteristics of a buffer output which are very low impedance and high current sinking/sourcing capability. The high current capability of the buffer output enables large transient currents to flow through the external circuits, and as will be shown later, this enables higher slew rates for the CFA.

The unity gain input buffer forces -IN to follow +IN unconditionally. During quiescent operation only a small current flows through -IN. This is the error current,  $I_e$ , which is analogous to the error voltage of a VFA. The current flowing through -IN is always mirrored (represented by the current source  $I_e$ ) onto a high impedance node (Z) where it is converted to a voltage via the transimpedance gain of the CFA. Transimpedance gain serves the same function in a CFA that open loop voltage gain serves in a VFA; i.e., it is the driving force which closes the feedback loop. If the amplifier has a large transimpedance gain (Z) it will have a low error current because  $I_e = V_{OUT}/Z$ . The controlled current source in the simplified model represents the transimpedance element, and when the current flows through the terminating impedance,  $R_H \parallel C_H$ , a voltage is developed at the input node of the output buffer. The output buffer is another unity gain buffer, and it provides the current capability for driving low impedance loads.

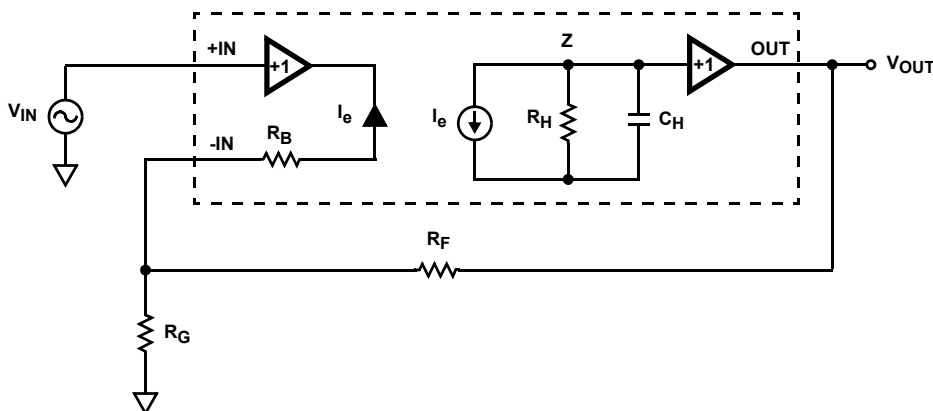


FIGURE 1. THIS SIMPLIFIED MODEL DEMONSTRATES HOW THE CURRENT-FEEDBACK AMPLIFIER (CFA) OPERATES, AND HOW IT DIFFERS FROM THE VOLTAGE-FEEDBACK AMPLIFIER (VFA). THE CONTROLLED CURRENT SOURCE AT NODE Z REPRESENTS THE TRANSIMPEDANCE ELEMENT

For example, consider a voltage follower ( $R_G = \text{infinity}$ ) where at  $t = 0$   $V_{+IN} = V_{OUT} = 0$ . If at  $t = 0+$  a unit step voltage is applied to the input, then at  $t = 0+$   $V_{+IN} = V_{-IN} = 1V$ , and  $V_{OUT} - V_{-IN} = -1V$ , thus  $I_e = -1V/R_F$ . Notice that the slew current,  $I_e$ , is dependent on the magnitude of the output voltage change and  $R_F$ . This error current is sourced by the input buffer, so an equal current is mirrored onto node Z, causing the voltage to rise, and consequently the output voltage increases. The feedback loop keeps  $V_{OUT}$  rising until the error current is driven to the minimum value, and at this point  $V_{+IN} = V_{OUT}$  within the error tolerance.

### Analyze CFA Amplifiers Just Like VFA Amplifiers

The same four “ideal op amp” assumptions employed to derive the VFA closed loop gain equations are used to derive the ideal CFA closed loop gain equations. By definition,  $V_{-IN} = V_{+IN}$  because the element separating the two inputs is a well designed unity gain buffer. The non-inverting input current is low enough to be neglected ( $+IN = 0$ ) because this current is a buffer input current. The inverting input current equals zero ( $-IN = 0$ ) because the feedback loop drives the error current to zero. As long as the transimpedance gain is large the  $-IN$  current is negligible. It is prudent to note that the two input currents are totally uncorrelated, thus the common VFA technique of canceling input current errors by balancing the impedance seen at the positive and negative inputs is not recommended for CFAs. The transimpedance gain is extremely high, which enables the feedback loop to function properly just like high open loop gain does in a VFA.

The feedback network is constructed the same for the CFA and VFA; a feedback resistor ( $R_F$ ) is connected from the op amp output to the inverting input, and a gain setting resistor ( $R_G$ ) is connected from the inverting input to ground in both cases. Because the feedback network is the same for the CFA and VFA, and because the ideal op amp assumptions are valid for both types, it is obvious that the VFA ideal closed loop gain equation must hold for the CFA.

The non-inverting gain formula, Equation 1, is based on these assumptions; the voltage across  $R_G$  is  $V_{IN}$  because  $-IN$  tracks  $+IN$ , so the voltage divider rule yields:

$V_{IN} = V_{OUT} R_G / (R_G + R_F)$ , or:

$$\frac{V_{OUT}}{V_{IN}} = \frac{R_F + R_G}{R_G} = 1 + \frac{R_F}{R_G} \quad (\text{EQ. 1})$$

When the CFA is used in an inverting gain configuration ( $V_{+IN} = V_{-IN} = 0V$ ) the input current is  $V_{IN}/R_G$  (see Figure 2), and the feedback current, which must be equivalent to the input current because no current flows into the op amp inputs, is equal to  $-V_{OUT}/R_F$ . Equating the currents yields:

$$\frac{V_{OUT}}{V_{IN}} = -\frac{R_F}{R_G} \quad (\text{EQ. 2})$$

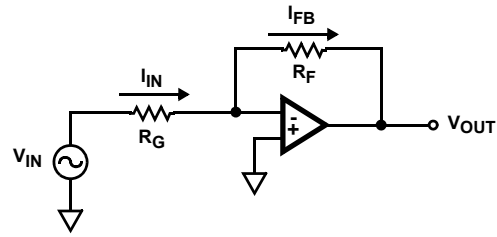


FIGURE 2. THE INVERTING GAIN CONFIGURATION FOR A CURRENT-FEEDBACK AMPLIFIER HAS INPUT AND FEEDBACK RESISTORS JUST LIKE A VFA. THE CIRCUIT’S GAIN EQUATION IS:  $(V_{OUT}/V_{IN}) = -(R_F/R_G)$

### Frequency Response

The non-ideal gain equation for the non-inverting CFA is taken from Reference 1, Equation 18, and it is repeated here as Equation 3. Notice that the input buffer output resistance,  $R_B$ , is designated as  $Z_B$  in Equation 3.

$$\frac{V_{OUT}}{V_{IN}} = \frac{Z(1 + Z_F/Z_G)}{Z_F(1 + Z_B/Z_F \parallel Z_G)} \cdot \frac{1}{1 + \frac{Z}{Z_F(1 + Z_B/Z_F \parallel Z_G)}} \quad (\text{EQ. 3})$$

If the input buffer output resistance is zero, which is the goal of every CFA IC designer, Equation 3 reduces to:

$$\frac{V_{OUT}}{V_{IN}} = \frac{Z/Z_F(1 + Z_F/Z_G)}{1 + Z/Z_F} \quad (\text{EQ. 4})$$

The transimpedance gain ( $Z$ ) contains two or more poles, and these poles make the transfer function frequency dependent. If  $Z$  were independent of frequency, and  $Z_F$  and  $Z_G$  were purely resistive, the CFA would be independent of frequency.

Equation 4 is in the form of the classic closed loop feedback equation  $V_{OUT}/V_{IN} = A/(1 + A\beta)$ . The sole determining factor for stability in a feedback system is the loop gain, often mathematically expressed as  $A\beta$ , and the loop gain in Equation 4 is the quantity  $Z/Z_F$  [1]. Thus, a fundamental conclusion is that the CFA’s stability is completely dependent on the transimpedance and the feedback impedance. This is very different from the VFA where stability is dependent on closed loop gain [1] ( $A\beta = a/A_{CL}$ ). Another important note about the CFA’s loop gain is that  $Z_F$  being in the denominator precludes  $Z_F$  from being zero ohms in a linear circuit. Therefore, a  $R_F$  is required even for unity gain applications, and capacitive feedback is undesirable because it will cause  $Z_F$  to go to zero at some frequency.

A Bode [2] plot is a log magnitude plot of the gain and phase, and it evaluates stability very effectively. This plot is a transimpedance gain plot for a CFA, where it would be a voltage gain plot for a VFA. The CFA Bode plot for the loop gain of Equation 4 (with the transimpedance plotted as a two-pole transfer function) is given in Figure 3; notice that numerator and denominator of the loop gain are plotted separately and added graphically to obtain the final result. The criteria for stability is that the loop gain be less than one before  $-180$

degrees of phase shift is accumulated; i.e.,  $|A\beta| < 1$  at  $\phi < -180$ .

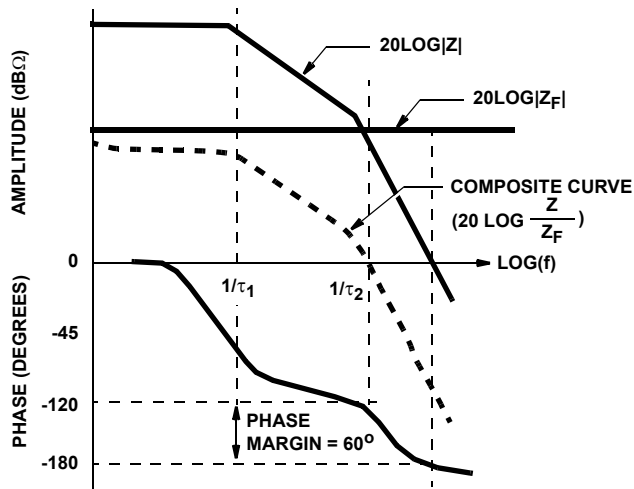


FIGURE 3. THIS BODE PLOT OF A CFA IS USEFUL FOR STABILITY ANALYSIS. WITH A VFA, THE AMPLITUDE SCALE WOULD REPRESENT VOLTAGE GAIN, BUT IN THE CASE OF THE CFA, THE AMPLITUDE SCALE SHOWS THE AMPLIFIER'S TRANSIMPEDANCE GAIN

When the composite curve crosses 0dB ( $A\beta = 1$ ) the phase shift is -120 degrees, so this particular CFA would have 60 degrees of phase margin, and it would be very stable with that value of  $Z_F$ . On the Bode plot,  $|Z_F| = R_F$  subtracts from the  $|Z|$  curve moving the composite curve down from the  $Z$  curve, and moving the 0dB gain crossing point to the left into an area of less phase shift. Thus, the conclusion can be made that increasing  $R_F$  stabilizes the CFA by reducing the loop gain without impacting the open loop phase shift (i.e., the phase margin has increased, see Figure 4). Note, also from Figure 4, that the amplifier's bandwidth ( $BW_1$ ,  $BW_2$ ) decreases as  $R_F$  increases. These are critical conclusions because they indicate that the value of  $R_F$  can be adjusted to trade stability for bandwidth, and this is the basis for the conclusion that the CFA bandwidth is inversely proportional to  $R_F$ . In actual practice the designer will never decrease  $R_F$  so much that the CFA approaches instability, because gain peaking and overshoot increase dramatically long before the circuit becomes unstable. Note, when increasing the closed loop gain of a CFA circuit,  $R_G$  should be decreased rather than increasing  $R_F$ .

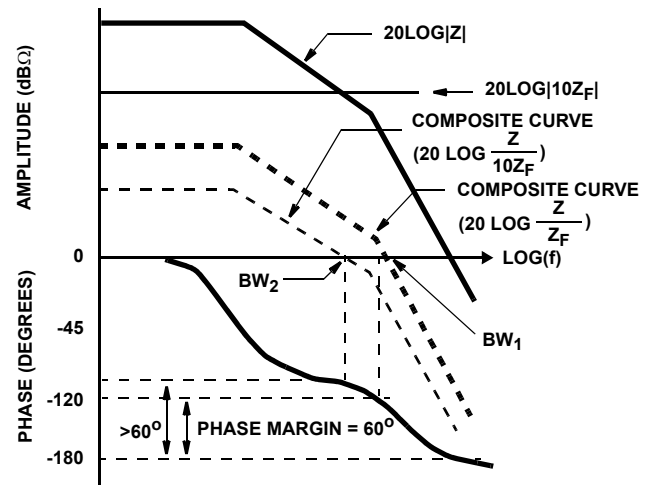


FIGURE 4. BY ADJUSTING THE VALUE OF  $R_F$ , THE DESIGNER CAN MAKE A TRADE-OFF BETWEEN STABILITY AND BANDWIDTH. THE BANDWIDTH IS INVERSELY PROPORTIONAL TO  $R_F$

Inspecting Equation 4 reveals that the closed loop gain does not affect stability or the bandwidth of the CFA because it does not impact the loop gain nor the pole-zero locations. This means that the CFA bandwidth is independent of closed loop gain, except for the minor effect of the neglected  $Z_B$  term (see Equation 3). When  $Z_B$  is taken into consideration, the CFA bandwidth becomes slightly dependent on closed loop gain, but it is still much more independent of closed loop gain than the VFA is. This phenomenon explains why CFAs make much better high frequency, high gain amplifiers than VFAs do.  $Z_B$  is usually an emitter-follower type output impedance which exhibits a zero in the transfer function at high frequencies. This explains why CFAs tend to become peaky at high frequencies especially when there is significant capacitance on the inverting input.

### Slew Rate And Pulse Performance

Slew rate is a measure of the amplifier's ability to transition from one output voltage to another in response to an input voltage change. Fast slew rates are required for good pulse amplifiers because pulses contain fast rise and fall times.

The error current is multiplied by the transimpedance gain to form the unbuffered output voltage, so the sooner the error current is driven to zero the faster the amplifier gets to its final output voltage. An earlier derivation established the formula for the unity gain CFA error current as  $I_e = (V_{OUT} - V_{IN})/R_F$ . Thus, if  $R_F$  is decreased or  $\Delta V_{IN}$  is increased, more current is available to slew the internal high impedance node and faster slew rates result. If the input step size is doubled in a CFA the current available for slewing is doubled, hence the rise/fall time is virtually independent of step size. The VFA has an internal current source which limits the maximum slew rate regardless of the voltage step size. The usual method of increasing slew rate in a VFA is for the op amp manufacturer to increase this internal current source which also increases supply current.

The input buffer must first slew to follow the input signal, so the input buffer's slew rate is a critical part of the overall slew rate. In high gain configurations the input buffer does not go through a large voltage change compared to the output, so its slew rate does not contribute much error. In low gain configurations the input buffer can significantly degrade the slew rate. For example: in unity gain applications the CFA's input buffer must slew the inverting input the same amount as the output, and this often limits the unity gain CFA's slew rate. In inverting gain configurations -IN is a virtual ground so the input buffer doesn't have to slew much, so the inverting gain configuration has the fastest slew rate.

### How To Convert From VFAs to CFAs

The CFA can usually replace the VFA in most high frequency applications with better performance and lower cost[3]. There are a few salient points to be aware of during the replacement, and most cases will require either minor or no PC board changes. But remember that the CFA must **always** have a feedback resistor. It can't be substituted directly for a VFA in unity gain applications where the output is shorted to the inverting input ( $R_F = 0$ ).

The key to CFA stability is the feedback resistor. While higher  $R_F$  values are fine for VFAs, most CFAs are optimized for  $R_F < 1k\Omega$ , and higher than optimum values degrade CFA performance dramatically. A value of  $R_F$  that yields stable operation can always be found. It is best to start with the manufacturer's recommended value, but graphical techniques [3] can be used to select new  $R_F$  values if wider bandwidth or a higher closed loop gain (reduce  $R_G$  rather than increase  $R_F$ ) is desired. Remember, reducing  $R_F$  increases bandwidth while increasing ringing and overshoot. Don't drop the value of  $R_F$  too much or oscillation will result. Other common factors that destabilize CFAs when replacing VFAs are excessive capacitance on the inverting input or the output. A common source of ringing or oscillation in any high frequency amplifier is a long PC board trace length attached to the inverting input lead; this situation is exacerbated with a CFA.

Circuit configurations using feedback capacitors or diodes do not lend themselves to CFAs because these feedback components will approach zero impedance at some operating point and oscillation will result. Diodes in the feedback loop can often be replaced by input or output clamp diodes. Feedback capacitors can be neutralized by putting a resistor equal to the optimum value of  $R_F$  in series with them. The classic inverting integrator cannot be implemented in a CFA, so the non-inverting integrator is often used in its place. Basically speaking, the CFA is no harder to use than the VFA with equivalent bandwidth; it's just a little different.

### References

For Intersil documents available on the internet, see web site <http://www.intersil.com>

- [1] *AN9420 Application Note*, Intersil, "Current Feedback Amplifier Theory and Applications"
- [2] Bode H. W., "Network Analysis And Feedback Amplifier Design", D. VanNostrand Inc., 1945
- [3] *AN9663 Application Note*, Intersil, "Converting From Voltage-Feedback To Current-Feedback Amplifiers"

## Notice

1. Descriptions of circuits, software and other related information in this document are provided only to illustrate the operation of semiconductor products and application examples. You are fully responsible for the incorporation or any other use of the circuits, software, and information in the design of your product or system. Renesas Electronics disclaims any and all liability for any losses and damages incurred by you or third parties arising from the use of these circuits, software, or information.
  2. Renesas Electronics hereby expressly disclaims any warranties against and liability for infringement or any other claims involving patents, copyrights, or other intellectual property rights of third parties, by or arising from the use of Renesas Electronics products or technical information described in this document, including but not limited to, the product data, drawings, charts, programs, algorithms, and application examples.
  3. No license, express, implied or otherwise, is granted hereby under any patents, copyrights or other intellectual property rights of Renesas Electronics or others.
  4. You shall not alter, modify, copy, or reverse engineer any Renesas Electronics product, whether in whole or in part. Renesas Electronics disclaims any and all liability for any losses or damages incurred by you or third parties arising from such alteration, modification, copying or reverse engineering.
  5. Renesas Electronics products are classified according to the following two quality grades: "Standard" and "High Quality". The intended applications for each Renesas Electronics product depends on the product's quality grade, as indicated below.  
"Standard": Computers; office equipment; communications equipment; test and measurement equipment; audio and visual equipment; home electronic appliances; machine tools; personal electronic equipment; industrial robots; etc.  
"High Quality": Transportation equipment (automobiles, trains, ships, etc.); traffic control (traffic lights); large-scale communication equipment; key financial terminal systems; safety control equipment; etc.  
Unless expressly designated as a high reliability product or a product for harsh environments in a Renesas Electronics data sheet or other Renesas Electronics document, Renesas Electronics products are not intended or authorized for use in products or systems that may pose a direct threat to human life or bodily injury (artificial life support devices or systems; surgical implantations; etc.), or may cause serious property damage (space system; undersea repeaters; nuclear power control systems; aircraft control systems; key plant systems; military equipment; etc.). Renesas Electronics disclaims any and all liability for any damages or losses incurred by you or any third parties arising from the use of any Renesas Electronics product that is inconsistent with any Renesas Electronics data sheet, user's manual or other Renesas Electronics document.
  6. When using Renesas Electronics products, refer to the latest product information (data sheets, user's manuals, application notes, "General Notes for Handling and Using Semiconductor Devices" in the reliability handbook, etc.), and ensure that usage conditions are within the ranges specified by Renesas Electronics with respect to maximum ratings, operating power supply voltage range, heat dissipation characteristics, installation, etc. Renesas Electronics disclaims any and all liability for any malfunctions, failure or accident arising out of the use of Renesas Electronics products outside of such specified ranges.
  7. Although Renesas Electronics endeavors to improve the quality and reliability of Renesas Electronics products, semiconductor products have specific characteristics, such as the occurrence of failure at a certain rate and malfunctions under certain use conditions. Unless designated as a high reliability product or a product for harsh environments in a Renesas Electronics data sheet or other Renesas Electronics document, Renesas Electronics products are not subject to radiation resistance design. You are responsible for implementing safety measures to guard against the possibility of bodily injury, injury or damage caused by fire, and/or danger to the public in the event of a failure or malfunction of Renesas Electronics products, such as safety design for hardware and software, including but not limited to redundancy, fire control and malfunction prevention, appropriate treatment for aging degradation or any other appropriate measures. Because the evaluation of microcomputer software alone is very difficult and impractical, you are responsible for evaluating the safety of the final products or systems manufactured by you.
  8. Please contact a Renesas Electronics sales office for details as to environmental matters such as the environmental compatibility of each Renesas Electronics product. You are responsible for carefully and sufficiently investigating applicable laws and regulations that regulate the inclusion or use of controlled substances, including without limitation, the EU RoHS Directive, and using Renesas Electronics products in compliance with all these applicable laws and regulations. Renesas Electronics disclaims any and all liability for damages or losses occurring as a result of your noncompliance with applicable laws and regulations.
  9. Renesas Electronics products and technologies shall not be used for or incorporated into any products or systems whose manufacture, use, or sale is prohibited under any applicable domestic or foreign laws or regulations. You shall comply with any applicable export control laws and regulations promulgated and administered by the governments of any countries asserting jurisdiction over the parties or transactions.
  10. It is the responsibility of the buyer or distributor of Renesas Electronics products, or any other party who distributes, disposes of, or otherwise sells or transfers the product to a third party, to notify such third party in advance of the contents and conditions set forth in this document.
  11. This document shall not be reprinted, reproduced or duplicated in any form, in whole or in part, without prior written consent of Renesas Electronics.
  12. Please contact a Renesas Electronics sales office if you have any questions regarding the information contained in this document or Renesas Electronics products.
- (Note 1) "Renesas Electronics" as used in this document means Renesas Electronics Corporation and also includes its directly or indirectly controlled subsidiaries.  
(Note 2) "Renesas Electronics product(s)" means any product developed or manufactured by or for Renesas Electronics.

(Rev.4.0-1 November 2017)



### SALES OFFICES

Renesas Electronics Corporation

<http://www.renesas.com>

Refer to "<http://www.renesas.com/>" for the latest and detailed information.

**Renesas Electronics America Inc.**  
1001 Murphy Ranch Road, Milpitas, CA 95035, U.S.A.  
Tel: +1-408-432-8888, Fax: +1-408-434-5351

**Renesas Electronics Canada Limited**  
9251 Yonge Street, Suite 8309 Richmond Hill, Ontario Canada L4C 9T3  
Tel: +1-905-237-2004

**Renesas Electronics Europe Limited**  
Dukes Meadow, Millboard Road, Bourne End, Buckinghamshire, SL8 5FH, U.K  
Tel: +44-1628-651-700, Fax: +44-1628-651-804

**Renesas Electronics Europe GmbH**  
Arcadiastrasse 10, 40472 Düsseldorf, Germany  
Tel: +49-211-6503-0, Fax: +49-211-6503-1327

**Renesas Electronics (China) Co., Ltd.**  
Room 1709 Quantum Plaza, No.27 ZhichunLu, Haidian District, Beijing, 100191 P. R. China  
Tel: +86-10-8235-1155, Fax: +86-10-8235-7679

**Renesas Electronics (Shanghai) Co., Ltd.**  
Unit 301, Tower A, Central Towers, 555 Langao Road, Putuo District, Shanghai, 200333 P. R. China  
Tel: +86-21-2226-0888, Fax: +86-21-2226-0999

**Renesas Electronics Hong Kong Limited**  
Unit 1601-1611, 16/F., Tower 2, Grand Century Place, 193 Prince Edward Road West, Mongkok, Kowloon, Hong Kong  
Tel: +852-2265-6688, Fax: +852-2886-9022

**Renesas Electronics Taiwan Co., Ltd.**  
13F, No. 363, Fu Shing North Road, Taipei 10543, Taiwan  
Tel: +886-2-8175-9600, Fax: +886-2-8175-9670

**Renesas Electronics Singapore Pte. Ltd.**  
80 Bendemeer Road, Unit #06-02 Hyflux Innovation Centre, Singapore 339949  
Tel: +65-6213-0200, Fax: +65-6213-0300

**Renesas Electronics Malaysia Sdn.Bhd.**  
Unit 1207, Block B, Menara Amcorp, Amcorp Trade Centre, No. 18, Jln Persiaran Barat, 46050 Petaling Jaya, Selangor Darul Ehsan, Malaysia  
Tel: +60-3-7955-9390, Fax: +60-3-7955-9510

**Renesas Electronics India Pvt. Ltd.**  
No.777C, 100 Feet Road, HAL 2nd Stage, Indiranagar, Bangalore 560 038, India  
Tel: +91-80-67208700, Fax: +91-80-67208777

**Renesas Electronics Korea Co., Ltd.**  
17F, KAMCO Yangjae Tower, 262, Gangnam-daero, Gangnam-gu, Seoul, 06265 Korea  
Tel: +82-2-558-3737, Fax: +82-2-558-5338