

RX65N Group and RX651 Group

Precautions Regarding High-Temperature Operation of RX65N Group and RX651 Group

Summary

This document explains G version products for high-temperature operation guarantee, including precautions on temperature profiles and derating examples to be considered for reliability design in high-temperature applications.

Contents

1.	Relationship between Actual Usage Environment and Reliability of RX Family Products.....	2
1.1	Conceptualizing MCU Reliability	2
1.2	Derating	2
2.	Definitions of Thermal Characteristics.....	3
3.	Thermal Design	4
3.1	Tj Calculation Examples	4
3.1.1	Precautions When Calculating Tj	4
3.1.2	Calculating Tj from Temperature at Center of Package Top (Tt).....	4
3.1.3	Precautions When Calculating Tt	5
3.2	Thermal Design Parameters	6
3.2.1	RX65N Group and RX651 Group Thermal Design Parameters	6
3.3	Calculating Power Consumption (Pd)	7
4.	Derating Examples for Typical High-Temperature Applications	9
5.	Reference Document.....	12
	Revision History.....	14

1. Relationship between Actual Usage Environment and Reliability of RX Family Products

1.1 Conceptualizing MCU Reliability

When using RX Family MCUs, the following precautions should be observed in order to ensure device reliability.

The reliability of a semiconductor device is expressed as a failure rate curve (bathtub curve). Device failures can be classified into three types: initial failures, which occur comparatively early on after the device enters use (operation); random failures, which occur over a long period of time; and wear-out (life span) failures, which become more frequent over time at the end of the intended lifetime of the device. For details on bathtub curves, refer to Semiconductor Reliability Handbook, rev. 2.50 (R51ZZ0001EJ0250).

Of the above, wear-out failures have a particularly large dependency on the temperature environment in which the semiconductor device is used. To prevent RX MCUs from undergoing wear-out failure, it is important to think about derating.

1.2 Derating

Derating is defined in JIS Z 8115 reducing a load systematically by operating a device under its rated maximum capacity to enhance reliability.

The quality and reliability of a device are greatly influenced by its usage environment. If a device is used under harsh conditions, its reliability decreases, or it increases when used under mild conditions. If a device is used in an extremely harsh usage environment equivalent to life time tests. Even if the maximum ratings are not exceeded, using a device under very harsh conditions equivalent to lifetime testing can cause wear-out failure. Thus, it is very important to think about derating.

Derating is generally applied to devices with wide usage ranges such as discrete parts and power ICs where the junction temperature should be considered even when used within the specified range (e.g. allowable voltage) in order to avoid the heat issue due to the balance between generated power, ambient temperature, and characteristics of heat-sink in use. Also, derating should be considered for devices which require adjustments to keep the balance between ambient temperature, junction temperature, voltage, current, and other mutually-related usage conditions.

For details on derating, refer to 5.2.3, Derating, in Semiconductor Reliability Handbook, rev. 2.50 (R51ZZ0001EJ0250).

This application note presents high-temperature profiles for typical high-temperature applications and derating examples for RX Family MCUs.

2. Definitions of Thermal Characteristics

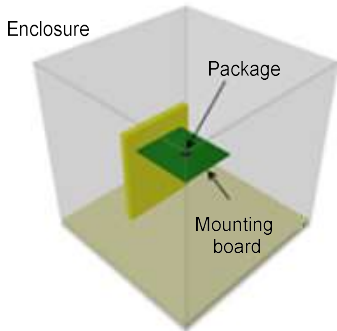
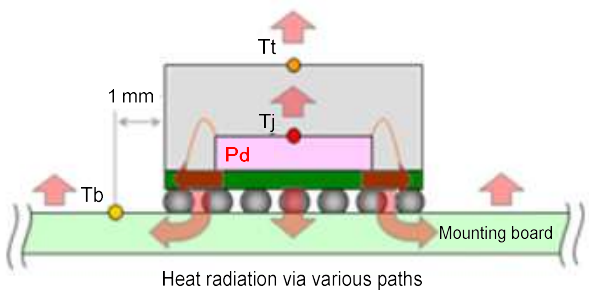
The definitions of thermal characteristics are based on the JEDEC specification referenced below. For details, refer to the following URL:

<https://www.renesas.com/us/en/support/technical-resources/packaging/characteristic/heat-dissipation.html>

Table 2.1 ICs: Definitions of Thermal Characteristics

θ_{ja}	Definition	The thermal resistance between the junction temperature (T_j) and ambient temperature (T_a) when the package is mounted on the board. Two types of environment are considered: one in which only natural convection occurs, and one in which forced air cooling is assumed.
	Application	Comparison of heat radiation performance of different packages
ψ_{jt}	Definition	A thermal design parameter that expresses the temperature difference between the junction temperature (T_j) and the temperature at the center of the package top (T_t), relative to the power consumption (P_d) of the device overall.
	Application	Estimation of the junction temperature (T_j), based on ψ_{jt} calculated in an appropriate environment, T_t and P_d

T_a : Temperature in location not affected by heat generation source

Thermal Characteristic	θ_{ja}	ψ_{jt}
Environment		
Definition expression	$\theta_{ja} = \frac{T_j - T_a}{P_d}$	$\psi_{jt} = \frac{T_j - T_t}{P_d}$

- Enclosure: 304.8 × 304.8 × 304.8 mm (JESD51-2 conformant)
- Mounting board:
 - BGA 40 mm square or less → 101.6 × 114.3 × t1.6 mm, 4 layers (JESD51-9 conformant)
 - QFP 27 mm square or more → 101.6 × 114.3 × t1.6 mm, 4 layers (JESD51-7 conformant)
 - QFP less than 27 mm square → 76.2 × 114.3 × t1.6 mm, 4 layers (JESD51-7 conformant)

3. Thermal Design

Generally speaking, the junction temperature of a semiconductor device affects the lifetime of the device and, if it rises too high, can destroy it. For this reason, system chips with high power consumption have a specified junction temperature (Tj) range, and it is necessary to ensure that the thermal design is such that the junction temperature remains within the allowable range during operation.

If the usage environment is such that the limit of the junction temperature (Tj) allowable range is likely to be approached or exceeded, estimate the junction temperature. Calculate the Tj in your own specific use case to confirm that it is below the maximum allowable junction temperature. If the result exceeds the maximum allowable value, reconsider the component layout, enclosure configuration, and power consumption.

It is not possible to measure the junction temperature (Tj) directly, so it is necessary to calculate it from the power consumption or surface temperature by using the thermal design parameters. This guide presents examples of Tj calculation using two methods.

3.1 Tj Calculation Examples

3.1.1 Precautions When Calculating Tj

θ_{ja} is calculated in the environment following the JEDEC specifications, so the values may vary greatly according to the layout of the mounting board, enclosure etc. As Tj obtained from θ_{ja} may deviate from Tj measured in actual usage environment of customers, please confirm Tj by [3.1.2 Calculating Tj from Temperature at Center of Package Top

3.1.2 Calculating Tj from Temperature at Center of Package Top (Tt)

Estimate the temperature at the center of the package top (Tt) and the overall power consumption (Pd) of the chip in your usage environment, and calculate the junction temperature (Tj) using the formula given below.

$$T_j = T_t + P_d \times \psi_{jt}$$

Tj: Junction temperature [°C]

Tt: Temperature at center of package top [°C]

Pd: Overall power consumption of chip [W]

ψ_{jt} : Thermal design parameter [°C/W] from junction temperature (Tj) to center of package top

Note 1. For Pd, refer to 3.3, Calculating Power Consumption (Pd).

Note 2. For ψ_{jt} , refer to 3.2, Thermal Design Parameters.

If the junction temperature (Tj) exceeds 125°C, reconsider the component layout, enclosure configuration, and power consumption, as necessary.

3.1.3 Precautions When Calculating Tt

- Measurement Using a Thermocouple

To ensure accurate temperature measurements, care should be taken regarding the thermocouple used and the manner in which it is attached to the measurement target.

Some precautions and suggestions are presented below:

- Use a thermocouple with wires that are as thin as possible. (Due to limitations on heat extraction, the recommended wire diameter is 150 μm or less.)
- A K-type thermocouple is recommended. (T-type thermocouples tend to generate a lot of heat, and they may provide artificially low temperature measurements.)
- Use heat-resistant plastic tape or a heat-resistant plastic material to secure the thermocouple in place.
- Secure the thermocouple firmly to the measurement target. (Any looseness may result in measurement error.)

- Measurement Point

Confirm that the temperature is in the saturation state and measure Tt at the center of the top surface of the package.

- Measurement Using a Thermographic Camera

To ensure accurate temperature measurements, set the emissivity of the measurement target on the thermographic camera. The emissivity of the board surface is typically 0.8 to 0.9, but that of metal surfaces is generally lower. (Performing measurements of a metal surface with a setting of 0.8 to 0.9 will result in a lower measured value than the actual temperature.) If the emissivity is unclear, prepare the surface by applying black body spray or the like. Setting the emissivity to that of the black body spray will enable you to obtain an accurate temperature measurement.

Note that any objects between the thermographic camera and the measurement target (even a transparent acrylic panel) will prevent you from obtaining accurate measurements. (In this example, the thermographic camera would be measuring the temperature of the transparent acrylic panel.)

Depending on the layout of the measurement target, measurement using a thermographic camera might be more difficult than measurement using a thermocouple, but it is an effective way to determine the temperature distribution. It is therefore recommended that a thermographic camera and a thermocouple be used in combination.

3.2 Thermal Design Parameters

3.2.1 RX65N Group and RX651 Group Thermal Design Parameters

The thermal design parameters of the RX65N Group and RX651 Group are listed below.

Table 3.1 RX65N Group and RX651 Group Thermal Design Parameters

Package	Mounting Board Layers	θ_{ja} [°C/W]	ψ_{jt} [°C/W]
176-pin LFQFP PLQP0176KB-A	4	48.0	1.0
144-pin LFQFP PLQP0144KA-B	4	50.9	1.5
100-pin LFQFP PLQP0100KB-B	4	52.5	1.5
64-pin LFQFP PLQP0064KB-C	4	53.7	1.5
177-pin TFLGA (PTLG0177KA-A)	4	36.3	0.3
176-pin LFBGA (PLBG0176GA-A)	4	35.4	0.3
145-pin TFLGA (PTLG0145KA-A)	4	34.6	0.4
100-pin TFLGA (PTLG0100JA-A)	4	34.1	0.4
64-pin TFBGA (PTBG0064KB-A)	4	35.3	0.5

Note: The above values were calculated using the measurement environment specified in the EIA/JEDEC standard. For details of the standard, refer to EIA/JEDEC Standard (LFQFP is based on JESD 51-2 and JESD 51-7, TFLGA/LFBGA/TFBGA are based JESD51-2 and JESD51-9).

3.3 Calculating Power Consumption (Pd)

Use the following formula to calculate the power consumption (Pd):

$$\text{Power consumption} = \text{voltage} \times \text{current} + \sum\{(\text{VOL} \times \text{IOL})\} + \sum\{(\text{VCC} - \text{VOH}) \times | - \text{IOH} |\} \quad \text{--- (1)}$$

Figure 3.1 is a configuration diagram showing the current paths. Both DC and AC current are used, and they are calculated using the following formulas:

$$\text{DC current} = \text{leak current} + \text{analog current} \quad \text{--- (2)}$$

$$\text{AC current} = \text{logic current} + \sum \text{IO_AC current} \quad \text{--- (3)}$$

The $\sum \text{IO_AC}$ current is calculated from the number of and capacitance of the I/O lines (input pin capacitance*1, external load capacitance), and the pin switching frequency, using the following formula:

$$\sum \text{IO_AC current} = \sum (\text{input pin capacitance} + \text{external load capacitance}) \times \text{switching frequency} \times \text{VCC} \quad \text{--- (4)}$$

Note 1. For the input pin capacitance (Cin), refer to 60, Electric Characteristics, in the hardware manual of the MCU.

Calculate the leak current, analog current, and logic current from the data listed in Table 3.2, Classification of RX65N Group and RX651 Group Current Consumption. The logic current is an AC current, so multiply the unitary current (mA/MHz) by the operating frequency (MHz).

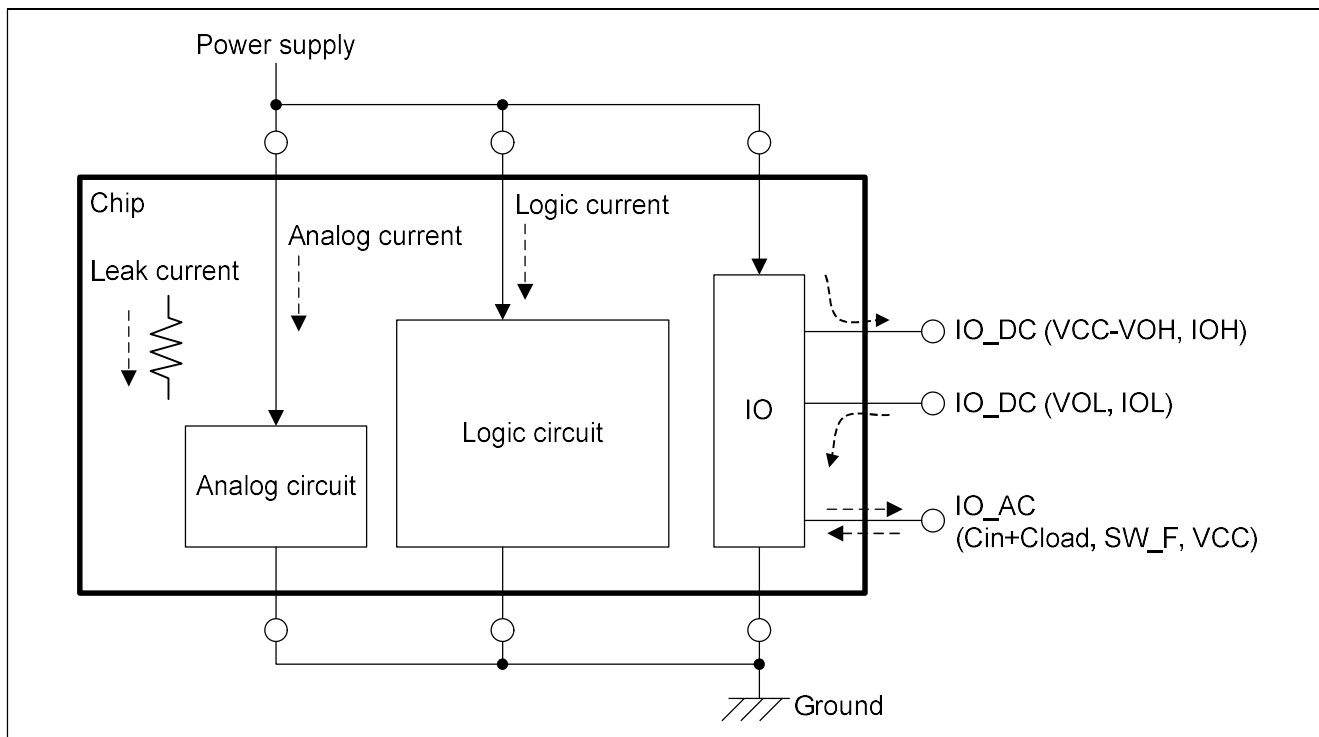


Figure 3.1 Current Path Configuration Diagram

Table 3.2 Classification of RX65N Group and RX651 Group Current Consumption

No.	Type	Category	Subcategory	Item	Frequency [MHz]	Unitary Current [mA/MHz]*2	Max. Current [mA]*1	Remarks
1	DC	Leak		Products with 1 Mbyte of code flash memory or less	—	—	9.8	
2				Products with at least 1.5 Mbytes of code flash memory	—	—	22.4	
3		Analog		USBb (USB2.0 FS)	—	—	10	
4				S12ADFa (2 units, channel-specific sample and hold, temperature sensor)	—	—	3.6	
5				R12DA (2 channels, buffered output)	—	—	0.8	
6	AC	Logic	CPU	CoreMark operation	120	0.125	15	
7			Peripheral IP modules	DMACa, DTCb		0.019	2.23	
8				MTU3a		0.021	2.51	
9				ETHERC		0.018	2.17	
10				RSPIC (1 channel)		0.003	0.40	Max. 3 channels
11				AESa		0.028	3.31	
12				Trusted Secure IP	60	0.161	9.68	
13				EXDMACa		0.006	0.35	
14				TPUa		0.003	0.20	
15				RTCd, WDTA, IWDTa		0.006	0.35	
16				CMT, CMTW, TMR (1 unit each)		0.003	0.15	Max. 2 units each
17				POE3a, PPG (1unit)		0.002	0.10	
18				USBb		0.009	0.55	
19				SCIg, SCIH (1 channel)		0.003	0.15	Max. 10 channels
20				SCII (1 channel)		0.006	0.34	Max. 2 channels
21			RIICa (1 channel)		0.002	0.10	Max. 3 channels	
22			CAN (1 channel)		0.004	0.25	Max. 2 channels	
23			QSPI		0.003	0.15		
24			SDHI		0.010	0.60		
25			SDSI		0.010	0.60		
26			MMCIF		0.012	0.70		
27			PDC		0.002	0.10		
28			S12ADFa (1 unit), TEMPS		0.008	0.45	ADC max. 2 units	
29			R12DA (2 channels)		0.002	0.10	Max. 2 channels	
30			DOC		0.003	0.15		
31			CRCA		0.005	0.30		
32			CAC		0.003	0.15		
33			ELC		0.004	0.25		
34			GLCDC		0.017	0.99		
35			DRW2D		0.046	2.75		
36			RNG		0.005	0.30		

Note 1. Worst conditions (VCC = 3.6 V, Tj = 125°C).

Note 2. The unitary current related to AC is not dependent on the VCC value.

4. Derating Examples for Typical High-Temperature Applications

Table 4.1 lists high-temperature profiles for high-temperature applications assumed to be typical for RX65N and RX651 Group MCUs as well as recommended high-temperature profiles for derating. This recommendation profiles are estimated from Renesas quality test results.

For product numbers of specific target MCUs, refer to Table 4.2, Target Product Numbers (RX65N Group and RX651 Group).

In the derating examples 10 years of operation is assumed, except for example 5.

Choose the example that best approximates your usage conditions. If none of the examples provided is applicable, please contact Renesas individually.

Table 4.1 Typical High-Temperature Applications

Example	Application	Anticipated High-Temperature Profile	Recommended High-Temperature Profile for Derating
1	Cooking devices (cooktops, IH cookers, etc.)	Operating time in high-temperature environment of 3 hours/day In standby or stopped state at other times	$-40^{\circ}\text{C} \leq T_j \leq 125^{\circ}\text{C}$, 3 hours/day. In standby or stopped state at $-40^{\circ}\text{C} \leq T_j \leq 90^{\circ}\text{C}$ at other times
2	Household appliance motors, power tools, etc.	Used in high-temperature environment for 6 hours/day In standby or stopped state at other times	$115^{\circ}\text{C} < T_j \leq 125^{\circ}\text{C}$, 3 hours/day. $-40^{\circ}\text{C} \leq T_j \leq 115^{\circ}\text{C}$, 3 hours/day In standby or stopped state at $-40^{\circ}\text{C} \leq T_j \leq 90^{\circ}\text{C}$ at other times
3	EV chargers, etc.	Used in high-temperature environment for 8 hours/day In standby or stopped state at other times	$115^{\circ}\text{C} < T_j \leq 125^{\circ}\text{C}$, 4 hours/day. $-40^{\circ}\text{C} \leq T_j \leq 115^{\circ}\text{C}$, 4 hours/day In standby or stopped state at $-40^{\circ}\text{C} \leq T_j \leq 85^{\circ}\text{C}$ at other times
4	Smart meters, power controllers, etc., equipment installed out of doors, etc. (24-hour operation)	Used in high-temperature environment for 8 hours/day Also operating at other times	$115^{\circ}\text{C} < T_j \leq 125^{\circ}\text{C}$, 4 hours/day. $-40^{\circ}\text{C} \leq T_j \leq 115^{\circ}\text{C}$, 4 hours/day $-40^{\circ}\text{C} \leq T_j \leq 100^{\circ}\text{C}$ at other times
5	PC server power supplies, etc. (24-hour operation)	In continuous use for 5 years in environment that includes high temperatures	$115^{\circ}\text{C} < T_j \leq 125^{\circ}\text{C}$, 15,000 hours $-40^{\circ}\text{C} \leq T_j \leq 115^{\circ}\text{C}$, 30,000 hours In continuous use for 5 years
6	Industrial motors (24-hour operation: example 1)	In continuous use in high-temperature environment	$102^{\circ}\text{C} < T_j \leq 112^{\circ}\text{C}$, 80% $-40^{\circ}\text{C} \leq T_j \leq 102^{\circ}\text{C}$, 20%
7	Industrial motors (24-hour operation: example 2)	In continuous use in environment that includes very high temperatures	$110^{\circ}\text{C} < T_j \leq 125^{\circ}\text{C}$, 5% $105^{\circ}\text{C} < T_j \leq 110^{\circ}\text{C}$, 75% $-40^{\circ}\text{C} \leq T_j \leq 105^{\circ}\text{C}$, 20%
8	Industrial motors (24-hour operation: example 3)	In continuous use in high-temperature environment	$T_j \leq 110^{\circ}\text{C}$, 100%

Note: The ambient temperature (T_a) should be between -40°C and 105°C .

Table 4.2 Target Product Numbers (RX65N Group and RX651 Group)

Target Product Numbers	Package	Target Product Numbers	Package
R5F5651EDGFM	LFQFP64	R5F565NEDGFB	
R5F5651EHGFM		R5F565NEHGFB	
R5F5651CDGFM		R5F565NCDGFB	
R5F5651CHGFM		R5F565NCHGFB	
R5F56519BGFM		R5F565N9AGFB	
R5F56519FGFM		R5F565N9BGFB	
R5F56517BGFM		R5F565N9EGFB	
R5F56517FGFM		R5F565N9FGFB	
R5F56514BGFM		R5F565N7AGFB	
R5F56514FGFM		R5F565N7BGFB	
R5F565NEDGFP	LFQFP144	R5F565N7EGFB	
R5F565NEHGFP		R5F565N7FGFB	
R5F565NCDGFP		R5F565N4AGFB	
R5F565NCHGFP		R5F565N4BGFB	
R5F565N9AGFP		R5F565N4EGFB	
R5F565N9BGFP		R5F565N4FGFB	
R5F565N9EGFP		R5F5651EDGFB	
R5F565N9FGFP		R5F5651EHGFB	
R5F565N7AGFP		R5F5651CDGFB	
R5F565N7BGFP		R5F5651CHGFB	
R5F565N7EGFP	LFQFP100	R5F56519AGFB	
R5F565N7FGFP		R5F56519BGFB	
R5F565N4AGFP		R5F56519EGFB	
R5F565N4BGFP		R5F56519FGFB	
R5F565N4EGFP		R5F56517AGFB	
R5F565N4FGFP		R5F56517BGFB	
R5F5651EDGFP		R5F56517EGFB	
R5F5651EHGFP		R5F56517FGFB	
R5F5651CDGFP		R5F56514AGFB	
R5F5651CHGFP		R5F56514BGFB	
R5F56519AGFP	LFQFP176	R5F56514EGFB	
R5F56519BGFP		R5F56514FGFB	
R5F56519EGFP		R5F565NEDGFC	
R5F56519FGFP		R5F565NEHGFC	
R5F56517AGFP		R5F565NCDGFC	
R5F56517BGFP		R5F565NCHGFC	
R5F56517EGFP		R5F5651EDGFC	
R5F56517FGFP		R5F5651EHGFC	
R5F56514AGFP		R5F5651CDGFC	
R5F56514BGFP		R5F5651CHGFC	
R5F56514EGFP			
R5F56514FGFP			

Table 4.3 Target Product Numbers (RX65N Group and RX651 Group)

Target Product Numbers	Package	Target Product Numbers	Package
R5F5651EDGBP	TFBGA64	R5F5651EDGLK	
R5F5651EHGBP		R5F5651EHGLK	
R5F5651CDGBP		R5F565NEDGLK	
R5F5651CHGBP		R5F565NEHGLK	
R5F56519BGBP		R5F5651CDGLK	
R5F56519FGBP		R5F5651CHGLK	
R5F56517BGBP		R5F565NCDGLK	
R5F56517FGBP		R5F565NCHGLK	
R5F56514BGBP		R5F56519AGLK	
R5F56514FGBP		R5F56519BGLK	
R5F5651EDGLJ		R5F56519EGLK	
R5F5651EHGLJ		R5F56519FGLK	
R5F565NEDGLJ		R5F565N9AGLK	
R5F565NEHGLJ		R5F565N9BGLK	
R5F5651CDGLJ		R5F565N9EGLK	
R5F5651CHGLJ		R5F565N9FGLK	
R5F565NCDGLJ	R5F56517AGLK	TFLGA145	
R5F565NCHGLJ	R5F56517BGLK		
R5F56519AGLJ	R5F56517EGLK		
R5F56519BGLJ	R5F56517FGLK		
R5F56519EGLJ	R5F565N7AGLK		
R5F56519FGLJ	R5F565N7BGLK		
R5F565N9AGLJ	R5F565N7EGLK		
R5F565N9BGLJ	R5F565N7FGLK		
R5F565N9EGLJ	R5F56514AGLK		
R5F565N9FGLJ	R5F56514BGLK		
R5F56517AGLJ	R5F56514EGLK		
R5F56517BGLJ	R5F56514FGLK		
R5F56517EGLJ	R5F565N4AGLK		
R5F56517FGLJ	R5F565N4BGLK		
R5F565N7AGLJ	R5F565N4EGLK		
R5F565N7BGLJ	R5F565N4FGLK		
R5F565N7EGLJ	R5F5651EDGBG	LFBGA176	
R5F565N7FGLJ	R5F5651EHGBG		
R5F56514AGLJ	R5F565NEDGBG		
R5F56514BGLJ	R5F565NEHGBG		
R5F56514EGLJ	R5F5651CDGBG		
R5F56514FGLJ	R5F5651CHGBG		
R5F565N4AGLJ	R5F565NCDGBG		
R5F565N4BGLJ	R5F565NCHGBG		
R5F565N4EGLJ	R5F5651EDGLC		
R5F565N4FGLJ	R5F5651EHGLC		
	R5F565NEDGLC	TFLGA177	
	R5F565NEHGLC		
	R5F5651CDGLC		
	R5F5651CHGLC		
	R5F565NCDGLC		
	R5F565NCHGLC		

5. Reference Document

Semiconductor Reliability Handbook Rev. 2.50 (R51ZZ0001EJ0250) January, 2017

Website and Support

Renesas Electronics Website

<http://www.renesas.com/>

Inquiries

<http://www.renesas.com/contact/>

All trademarks and registered trademarks are the property of their respective owners.

Revision History

Rev.	Date	Description	
		Page	Summary
1.00	Oct 02, 2017	—	First edition issued.
2.00	Jun 24, 2019	10	Clerical corrections of Table 4.1
		11	Added LFQFP64, deleted calculating Tj from θ_{ja}
3.00	2020.10.06	6,11	Added TFLGA100,145,177/LFBGA176/TFBGA64
		9	Added example 8 of high-temperature profiles

General Precautions in the Handling of Microprocessing Unit and Microcontroller Unit Products

The following usage notes are applicable to all Microprocessing unit and Microcontroller unit products from Renesas. For detailed usage notes on the products covered by this document, refer to the relevant sections of the document as well as any technical updates that have been issued for the products.

1. Precaution against Electrostatic Discharge (ESD)

A strong electrical field, when exposed to a CMOS device, can cause destruction of the gate oxide and ultimately degrade the device operation. Steps must be taken to stop the generation of static electricity as much as possible, and quickly dissipate it when it occurs. Environmental control must be adequate. When it is dry, a humidifier should be used. This is recommended to avoid using insulators that can easily build up static electricity.

Semiconductor devices must be stored and transported in an anti-static container, static shielding bag or conductive material. All test and measurement tools including work benches and floors must be grounded. The operator must also be grounded using a wrist strap. Semiconductor devices must not be touched with bare hands. Similar precautions must be taken for printed circuit boards with mounted semiconductor devices.

2. Processing at power-on

The state of the product is undefined at the time when power is supplied. The states of internal circuits in the LSI are indeterminate and the states of register settings and pins are undefined at the time when power is supplied. In a finished product where the reset signal is applied to the external reset pin, the states of pins are not guaranteed from the time when power is supplied until the reset process is completed. In a similar way, the states of pins in a product that is reset by an on-chip power-on reset function are not guaranteed from the time when power is supplied until the power reaches the level at which resetting is specified.

3. Input of signal during power-off state

Do not input signals or an I/O pull-up power supply while the device is powered off. The current injection that results from input of such a signal or I/O pull-up power supply may cause malfunction and the abnormal current that passes in the device at this time may cause degradation of internal elements. Follow the guideline for input signal during power-off state as described in your product documentation.

4. Handling of unused pins

Handle unused pins in accordance with the directions given under handling of unused pins in the manual. The input pins of CMOS products are generally in the high-impedance state. In operation with an unused pin in the open-circuit state, extra electromagnetic noise is induced in the vicinity of the LSI, an associated shoot-through current flows internally, and malfunctions occur due to the false recognition of the pin state as an input signal become possible.

5. Clock signals

After applying a reset, only release the reset line after the operating clock signal becomes stable. When switching the clock signal during program execution, wait until the target clock signal is stabilized. When the clock signal is generated with an external resonator or from an external oscillator during a reset, ensure that the reset line is only released after full stabilization of the clock signal. Additionally, when switching to a clock signal produced with an external resonator or by an external oscillator while program execution is in progress, wait until the target clock signal is stable.

6. Voltage application waveform at input pin

Waveform distortion due to input noise or a reflected wave may cause malfunction. If the input of the CMOS device stays in the area between V_{IL} (Max.) and V_{IH} (Min.) due to noise, for example, the device may malfunction. Take care to prevent chattering noise from entering the device when the input level is fixed, and also in the transition period when the input level passes through the area between V_{IL} (Max.) and V_{IH} (Min.).

7. Prohibition of access to reserved addresses

Access to reserved addresses is prohibited. The reserved addresses are provided for possible future expansion of functions. Do not access these addresses as the correct operation of the LSI is not guaranteed.

8. Differences between products

Before changing from one product to another, for example to a product with a different part number, confirm that the change will not lead to problems. The characteristics of a microprocessing unit or microcontroller unit products in the same group but having a different part number might differ in terms of internal memory capacity, layout pattern, and other factors, which can affect the ranges of electrical characteristics, such as characteristic values, operating margins, immunity to noise, and amount of radiated noise. When changing to a product with a different part number, implement a system-evaluation test for the given product.

Notice

1. Descriptions of circuits, software and other related information in this document are provided only to illustrate the operation of semiconductor products and application examples. You are fully responsible for the incorporation or any other use of the circuits, software, and information in the design of your product or system. Renesas Electronics disclaims any and all liability for any losses and damages incurred by you or third parties arising from the use of these circuits, software, or information.
 2. Renesas Electronics hereby expressly disclaims any warranties against and liability for infringement or any other claims involving patents, copyrights, or other intellectual property rights of third parties, by or arising from the use of Renesas Electronics products or technical information described in this document, including but not limited to, the product data, drawings, charts, programs, algorithms, and application examples.
 3. No license, express, implied or otherwise, is granted hereby under any patents, copyrights or other intellectual property rights of Renesas Electronics or others.
 4. You shall not alter, modify, copy, or reverse engineer any Renesas Electronics product, whether in whole or in part. Renesas Electronics disclaims any and all liability for any losses or damages incurred by you or third parties arising from such alteration, modification, copying or reverse engineering.
 5. Renesas Electronics products are classified according to the following two quality grades: "Standard" and "High Quality". The intended applications for each Renesas Electronics product depends on the product's quality grade, as indicated below.
 - "Standard": Computers; office equipment; communications equipment; test and measurement equipment; audio and visual equipment; home electronic appliances; machine tools; personal electronic equipment; industrial robots; etc.
 - "High Quality": Transportation equipment (automobiles, trains, ships, etc.); traffic control (traffic lights); large-scale communication equipment; key financial terminal systems; safety control equipment; etc.
- Unless expressly designated as a high reliability product or a product for harsh environments in a Renesas Electronics data sheet or other Renesas Electronics document, Renesas Electronics products are not intended or authorized for use in products or systems that may pose a direct threat to human life or bodily injury (artificial life support devices or systems; surgical implantations; etc.), or may cause serious property damage (space system; undersea repeaters; nuclear power control systems; aircraft control systems; key plant systems; military equipment; etc.). Renesas Electronics disclaims any and all liability for any damages or losses incurred by you or any third parties arising from the use of any Renesas Electronics product that is inconsistent with any Renesas Electronics data sheet, user's manual or other Renesas Electronics document.
6. When using Renesas Electronics products, refer to the latest product information (data sheets, user's manuals, application notes, "General Notes for Handling and Using Semiconductor Devices" in the reliability handbook, etc.), and ensure that usage conditions are within the ranges specified by Renesas Electronics with respect to maximum ratings, operating power supply voltage range, heat dissipation characteristics, installation, etc. Renesas Electronics disclaims any and all liability for any malfunctions, failure or accident arising out of the use of Renesas Electronics products outside of such specified ranges.
 7. Although Renesas Electronics endeavors to improve the quality and reliability of Renesas Electronics products, semiconductor products have specific characteristics, such as the occurrence of failure at a certain rate and malfunctions under certain use conditions. Unless designated as a high reliability product or a product for harsh environments in a Renesas Electronics data sheet or other Renesas Electronics document, Renesas Electronics products are not subject to radiation resistance design. You are responsible for implementing safety measures to guard against the possibility of bodily injury, injury or damage caused by fire, and/or danger to the public in the event of a failure or malfunction of Renesas Electronics products, such as safety design for hardware and software, including but not limited to redundancy, fire control and malfunction prevention, appropriate treatment for aging degradation or any other appropriate measures. Because the evaluation of microcomputer software alone is very difficult and impractical, you are responsible for evaluating the safety of the final products or systems manufactured by you.
 8. Please contact a Renesas Electronics sales office for details as to environmental matters such as the environmental compatibility of each Renesas Electronics product. You are responsible for carefully and sufficiently investigating applicable laws and regulations that regulate the inclusion or use of controlled substances, including without limitation, the EU RoHS Directive, and using Renesas Electronics products in compliance with all these applicable laws and regulations. Renesas Electronics disclaims any and all liability for damages or losses occurring as a result of your noncompliance with applicable laws and regulations.
 9. Renesas Electronics products and technologies shall not be used for or incorporated into any products or systems whose manufacture, use, or sale is prohibited under any applicable domestic or foreign laws or regulations. You shall comply with any applicable export control laws and regulations promulgated and administered by the governments of any countries asserting jurisdiction over the parties or transactions.
 10. It is the responsibility of the buyer or distributor of Renesas Electronics products, or any other party who distributes, disposes of, or otherwise sells or transfers the product to a third party, to notify such third party in advance of the contents and conditions set forth in this document.
 11. This document shall not be reprinted, reproduced or duplicated in any form, in whole or in part, without prior written consent of Renesas Electronics.
 12. Please contact a Renesas Electronics sales office if you have any questions regarding the information contained in this document or Renesas Electronics products.

(Note1) "Renesas Electronics" as used in this document means Renesas Electronics Corporation and also includes its directly or indirectly controlled subsidiaries.

(Note2) "Renesas Electronics product(s)" means any product developed or manufactured by or for Renesas Electronics.

(Rev.4.0-1 November 2017)

Corporate Headquarters

TOYOSU FORESIA, 3-2-24 Toyosu,
Koto-ku, Tokyo 135-0061, Japan
www.renesas.com

Trademarks

Renesas and the Renesas logo are trademarks of Renesas Electronics Corporation. All trademarks and registered trademarks are the property of their respective owners.

Contact information

For further information on a product, technology, the most up-to-date version of a document, or your nearest sales office, please visit:
www.renesas.com/contact/