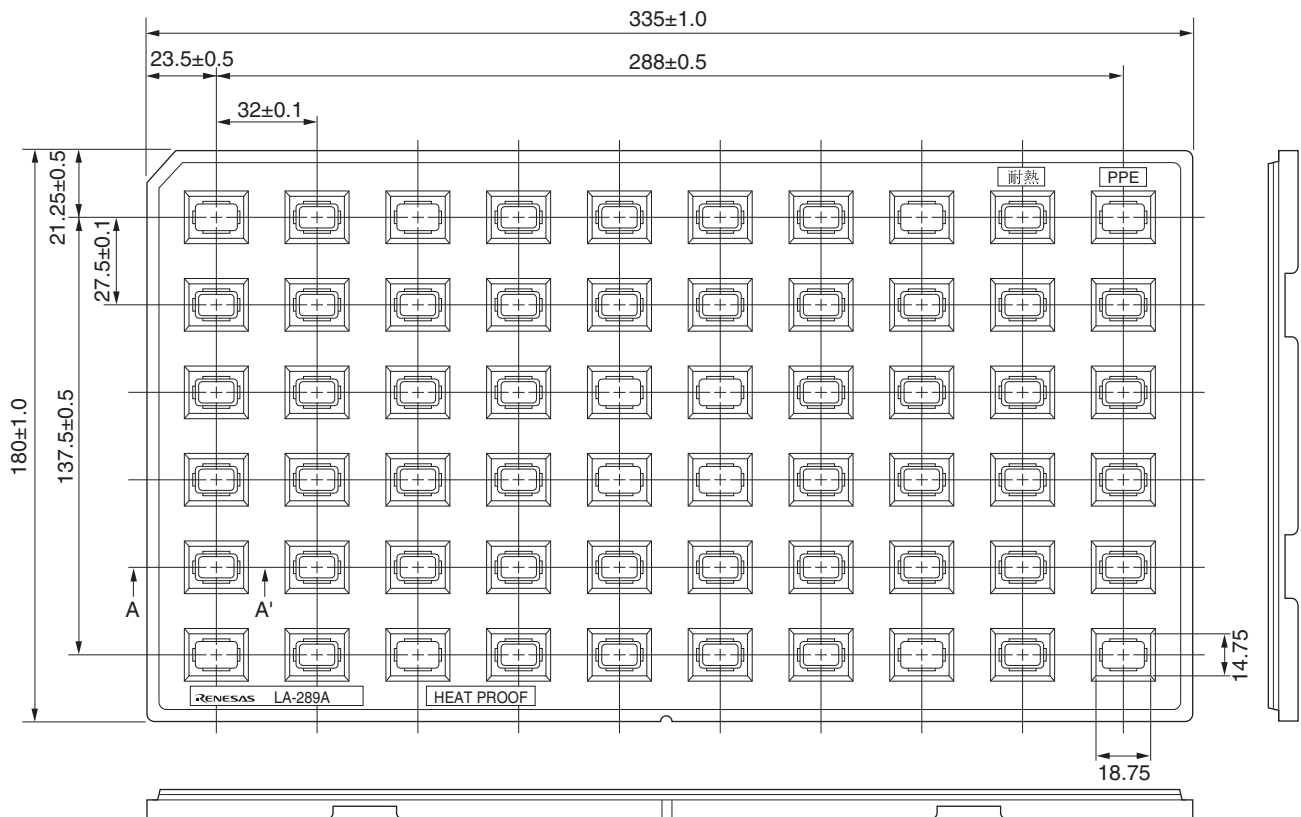
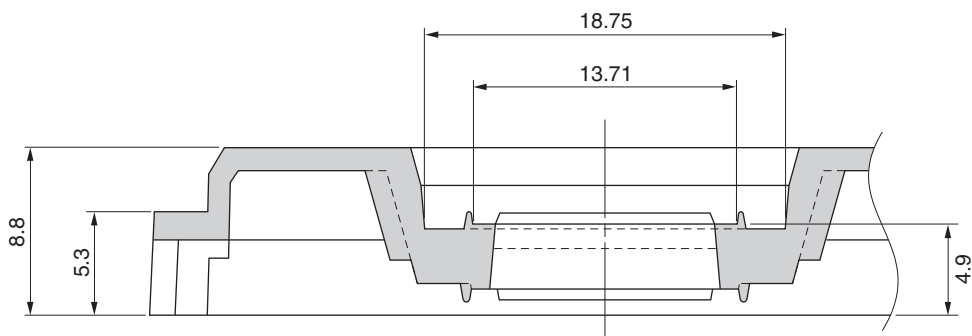


TRAY CONTAINER

Unit : mm



〈SECTION A-A'〉



Applied Package	Quantity
48-pin Plastic QFP(2.2mm thick)	MAX.60
68-pin Plastic QFP(2.2mm thick)	MAX.60

Tray	LA-289A
Material	Carbon PPE
Heat Proof Temp.	135°C
Surface resistance	less than $1 \times 10^6 \Omega / \square$