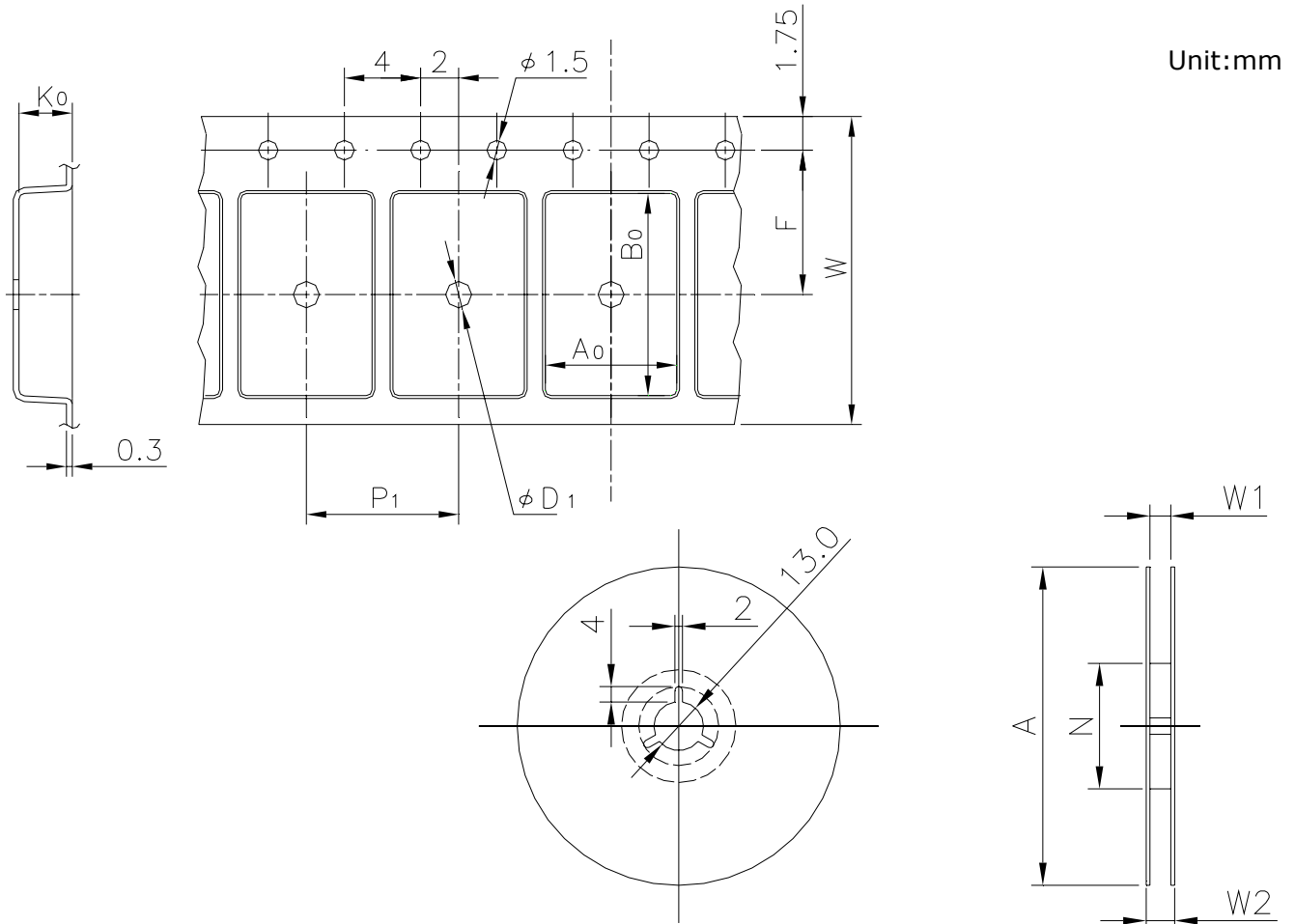


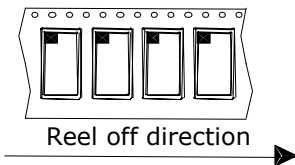
EMBOSSED TAPE

Taping Code	RENESAS Code	Previous Code
MTE2416H-28P2W-C	PRSP0052JA-A	52P9Y-J
	PRSP0052JA-B	52P9Y-K
	PRSP0052JB-A	52P9F-J
	PRSP0052JB-B	52P9F-K

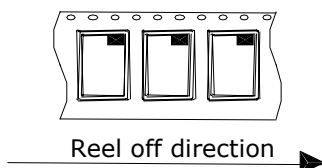


Standard Orientation of Package

The pin 1 is located in the hatching portion.



The pin 1 may also be located in the following portion for reverse bent packages and some QFPs.



Tape Dimensions (mm)	W	24
	P_1	16
	A_0	13.2
	B_0	18.05
	K_0	2.3
	F	11.5
	D_1	2
Reel Dimensions (mm)	A	330
	N	100
	W_1	25.4
	W_2	29.4
Maximum storage No. IC/Reel		1000
Material		Carbon PS
Surface resistance		Less than $1 \times 10^{11} \Omega / \square$
Packing form		Dry pack