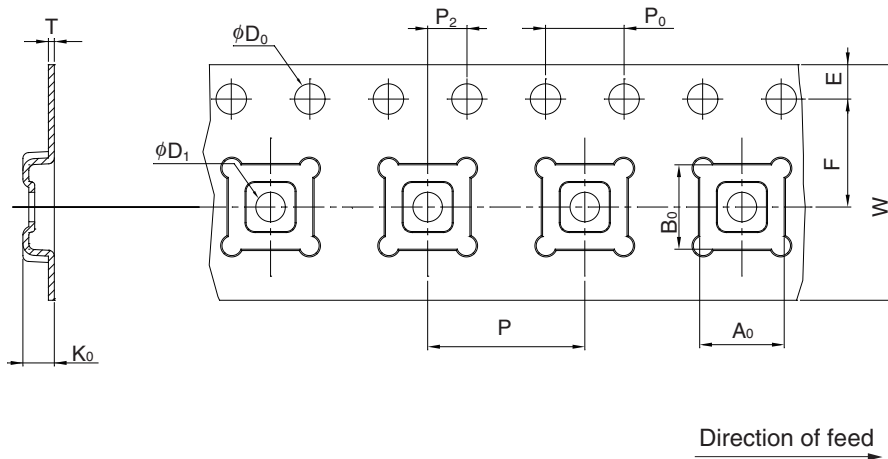


# EMBOSSED TAPE CONTAINER

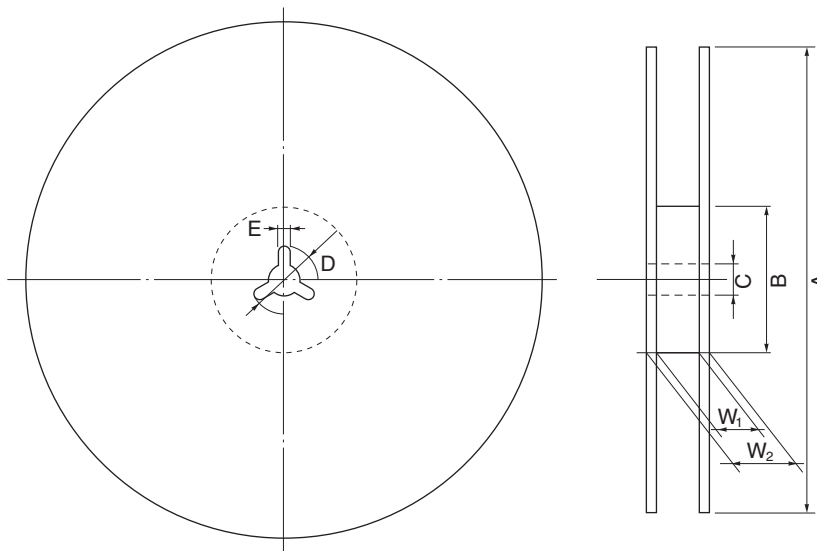
## Tape Dimensions



(Unit: mm)

Symbol	Specification
A <sub>0</sub>	4.3
B <sub>0</sub>	4.3
K <sub>0</sub>	1.3
W	12.0±0.3
F	5.50±0.1
E	1.75±0.1
P	8.0±0.1
P <sub>2</sub>	2.0±0.1
P <sub>0</sub>	4.0±0.1
D <sub>0</sub>	1.55±0.05
T	0.3
D <sub>1</sub>	1.5 MIN.

## Reel Dimensions



(Unit: mm)

Symbol	Specification
A	φ330±0.2
B	φ100
C	φ13.0±0.2
D	φ21.0±0.8
E	2.0±0.5
W <sub>1</sub>	13.5
W <sub>2</sub>	17.5

Applied Package	Quantity (pcs)
24-pin WQFN (4x4)	2,500 MAX.