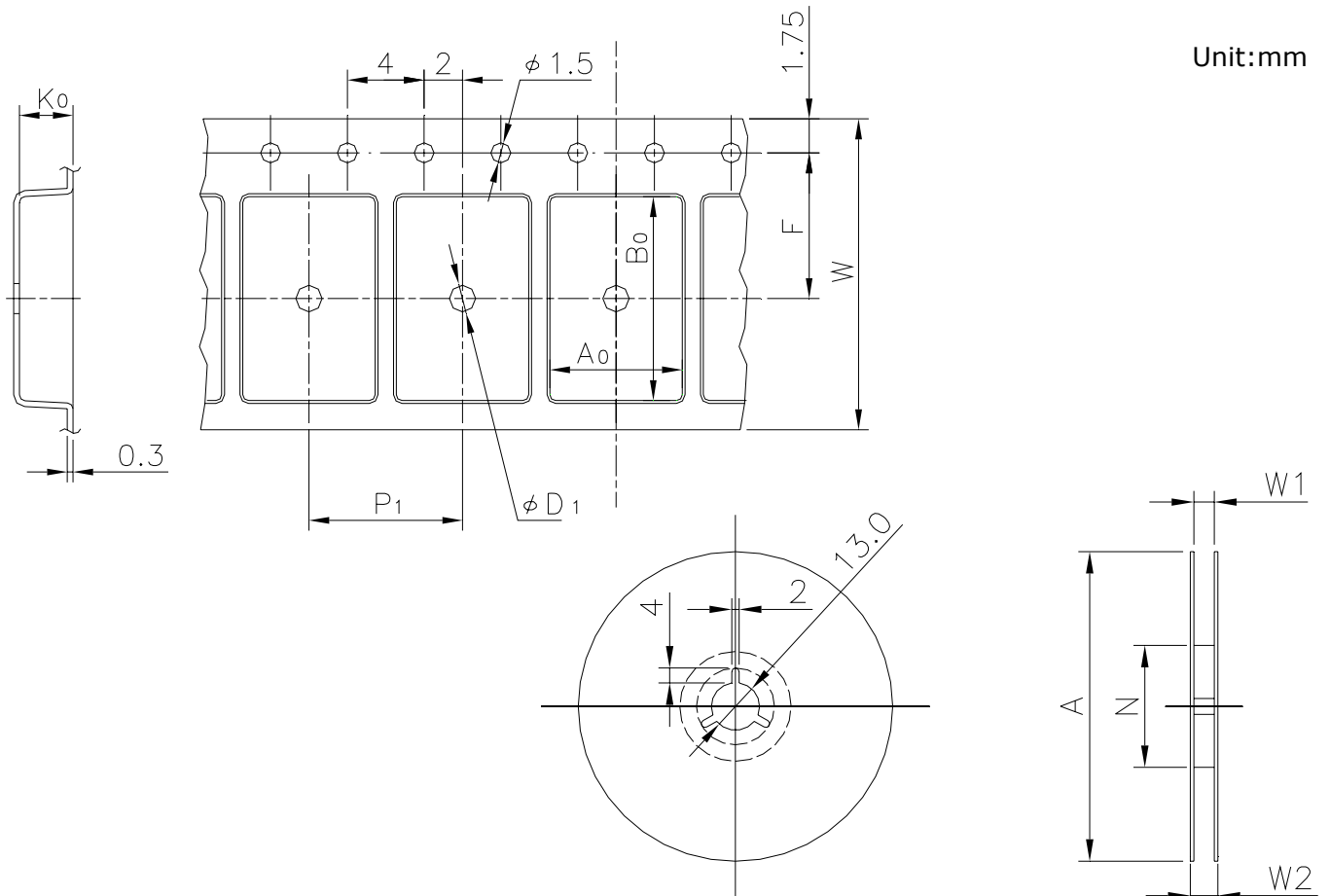


# EMBOSSED TAPE

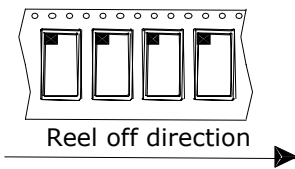
Taping Code	RENESAS Code	Previous Code
MTE2416H-175FHE	PLBG0175GA-A	175FHE
	PLBG0261JA-A	261FHE
	PLBG0288JA-A	288FHE
	PLBG0320KB-A	320FHE
	PLBG0417KA-A	417FHE
	PTBG0175GA-A	175F7F



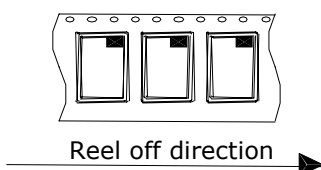
Unit:mm

## Standard Orientation of Package

The pin 1 is located in the hatching portion.



The pin 1 may also be located in the following portion for reverse bent packages and some QFPs.



Tape Dimensions (mm)	W	24
	P <sub>1</sub>	16
	A <sub>0</sub>	13.3
	B <sub>0</sub>	13.3
	K <sub>0</sub>	1.35
	F	11.5
	D <sub>1</sub>	2
Reel Dimensions (mm)	A	254
	N	100
	W1	25.4
	W2	29.4
Maximum storage No. IC/Reel		800
Material		Carbon PS
Surface resistance		Less than 1x10 <sup>11</sup> Ω/□
Packing form		Dry pack