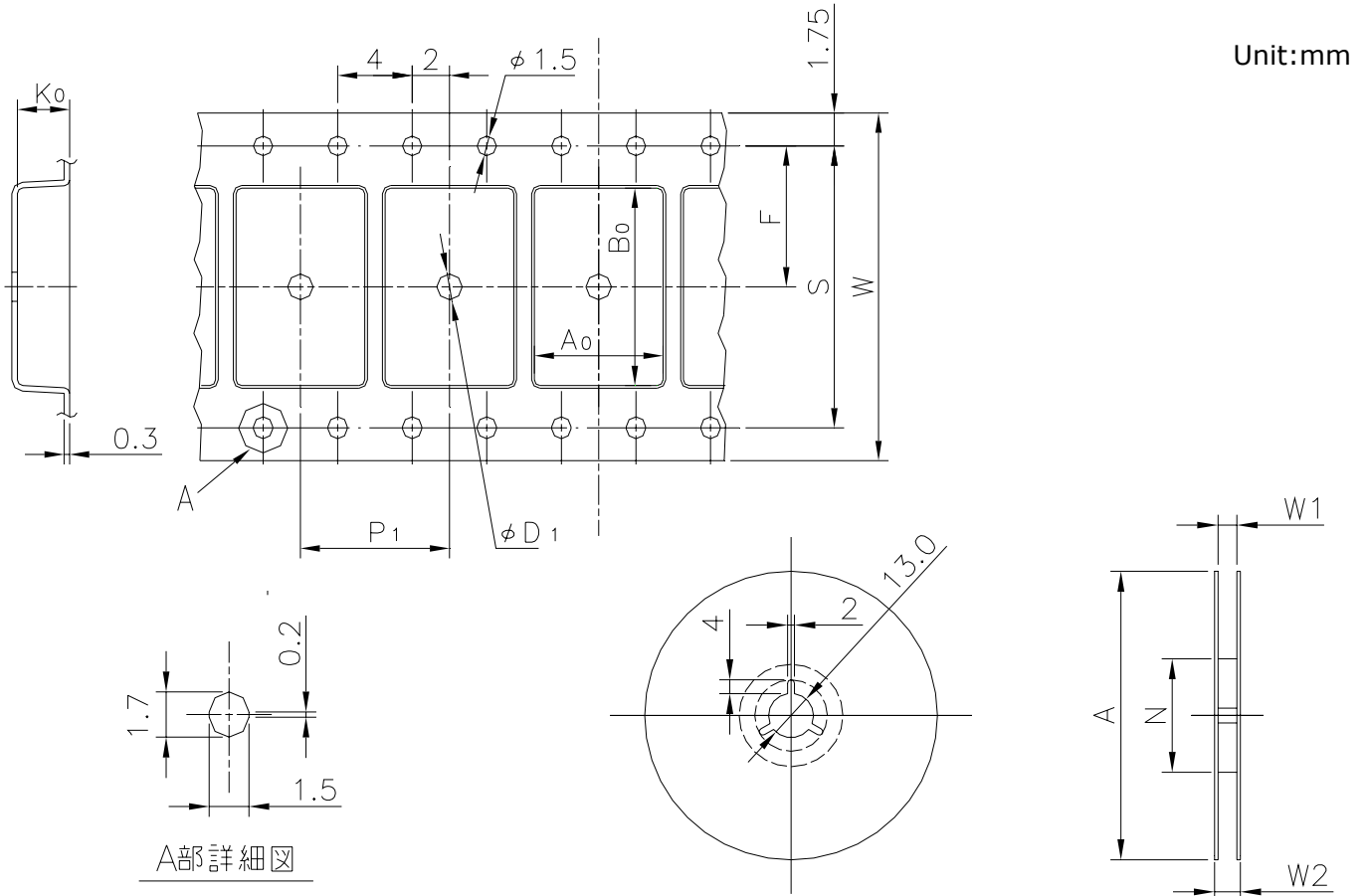


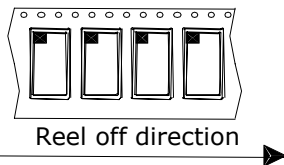
EMBOSSED TAPE

Taping Code	RENESAS Code	Previous Code
MTE3224H-100P6Q-A	PLQP0100KB-A	100P6Q-A
	PLQP0064GA-A	64P6U-A
	PLQP0120LA-A	120P6R-A

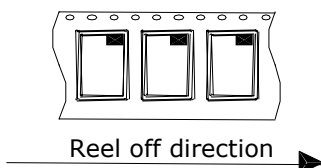


Standard Orientation of Package

The pin 1 is located in the hatching portion.



The pin 1 may also be located in the following portion for reverse bent packages and some QFPs.



Tape Dimensions (mm)	W	32
	P_1	24
	A_0	17.3
	B_0	17.3
	K_0	1.49
	F	14.2
	S	28.4
	D_1	2
Reel Dimensions (mm)	A	330
	N	100
	W1	33.4
	W2	37.4
Maximum storage No. IC/Reel		1000
Material		Carbon PS
Surface resistance		Less than $1 \times 10^{11} \Omega / \square$
Packing form		Dry pack