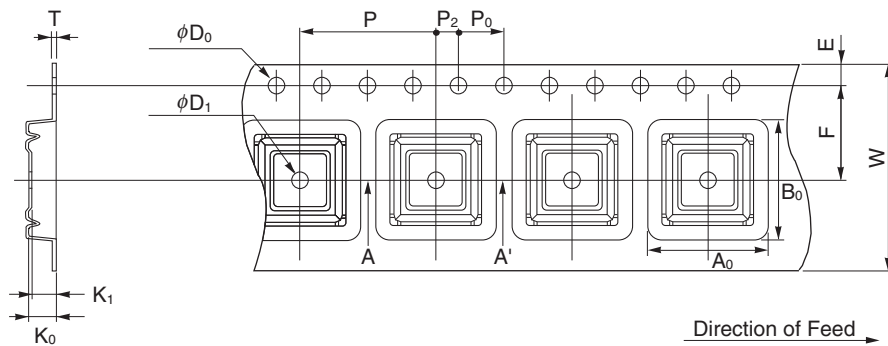


EMBOSSED TAPE PACKING

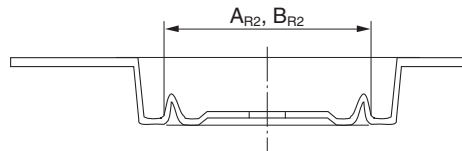
Tape Dimensions



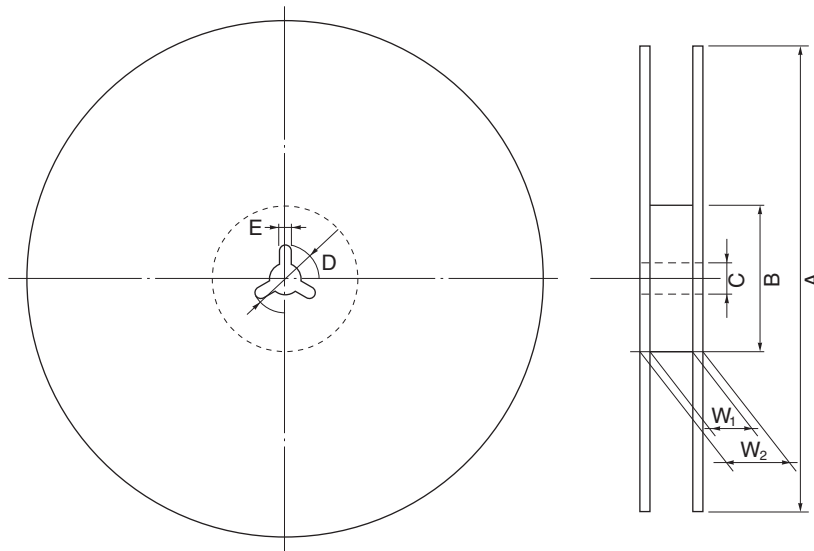
(Unit : mm)

Symbol	Specification
A ₀	10.0
B ₀	10.0
K ₀	2.0
K ₁	1.6
W	16.0±0.3
F	7.5±0.1
E	1.75±0.1
P	12.0±0.1
P ₂	2.0±0.1
P ₀	4.0±0.1
D ₀	1.5 ^{+0.1} ₀
T	0.3
D ₁	1.5 MIN.
A _{R2}	7.45
B _{R2}	7.45

<SECTION A-A>



Reel Dimensions



(Unit : mm)

Symbol	Specification
A	φ330±2.0
B	φ100
C	φ13.0±0.2
D	φ21.0±0.8
E	2.0±0.5
W ₁	17.5
W ₂	21.5

Applied Package	Quantity (pcs)
48-pin Plastic LQFP (Fine Pitch)(1.4mm thick)	1,000 MAX.
64-pin Plastic LQFP (Fine Pitch)(1.4mm thick)	