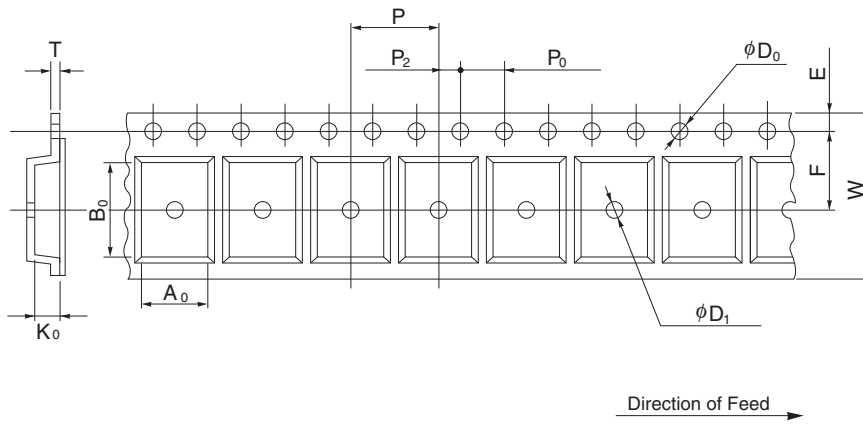


EMBOSS TAPE CONTAINER

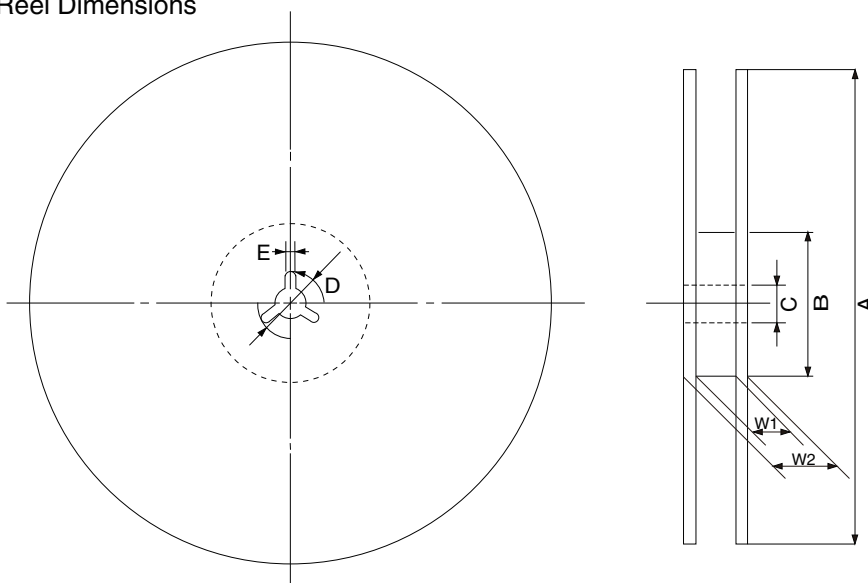
Tape Dimensions



(Unit : mm)

Symbol	Specification
A ₀	6.85
B ₀	10.45
K ₀	1.8
W	16.0±0.3
F	7.5±0.1
E	1.75±0.1
P	8.0±0.1
P ₂	2.0±0.1
P ₀	4.0±0.1
D ₀	1.5 ^{+0.1} ₀
T	0.3
D ₁	1.5 MIN.

Reel Dimensions



(Unit: mm)

Symbol	Specification
A	φ 330±2.0
B	φ 100
C	φ 13.0±0.2
D	φ 21.0±0.8
E	2.0±0.5
W ₁	17.5
W ₂	21.5

Applied Package	Quantity (pcs)
14-pin • Plastic SOP 5.72 mm (225)	2,500 MAX.
16-pin • Plastic SOP 5.72 mm (225)	2,500 MAX.