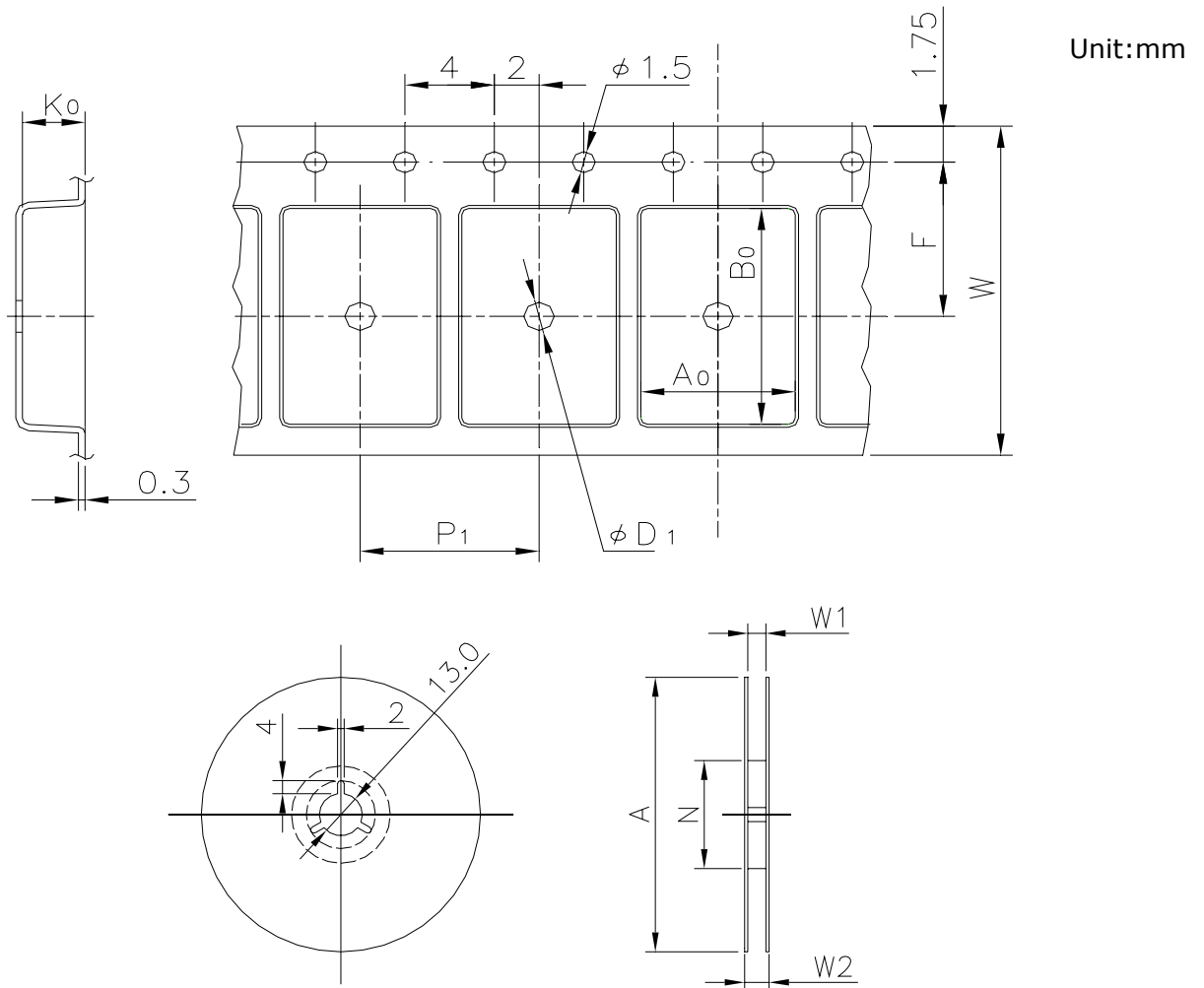


EMBOSSED TAPE

Taping Code	RENESAS Code	Previous Code
TE0804-30P, 31P	PVSP0008KA-A	TTP-8DB / TTP-8DBV



Tape Dimensions (mm)	W	8.0
	P_1	4.0
	A_0	2.25
	B_0	3.4
	K_0	1.0
	F	3.5
	D_1	1.05
Reel Dimensions (mm)	A	178
	N	60
	W1	9
	W2	13
Maximum storage No. Transistor/Reel		3000
Material		Carbon PS
Surface resistance		Less than $1 \times 10^{11} \Omega/\square$
Packing form		Non dry pack