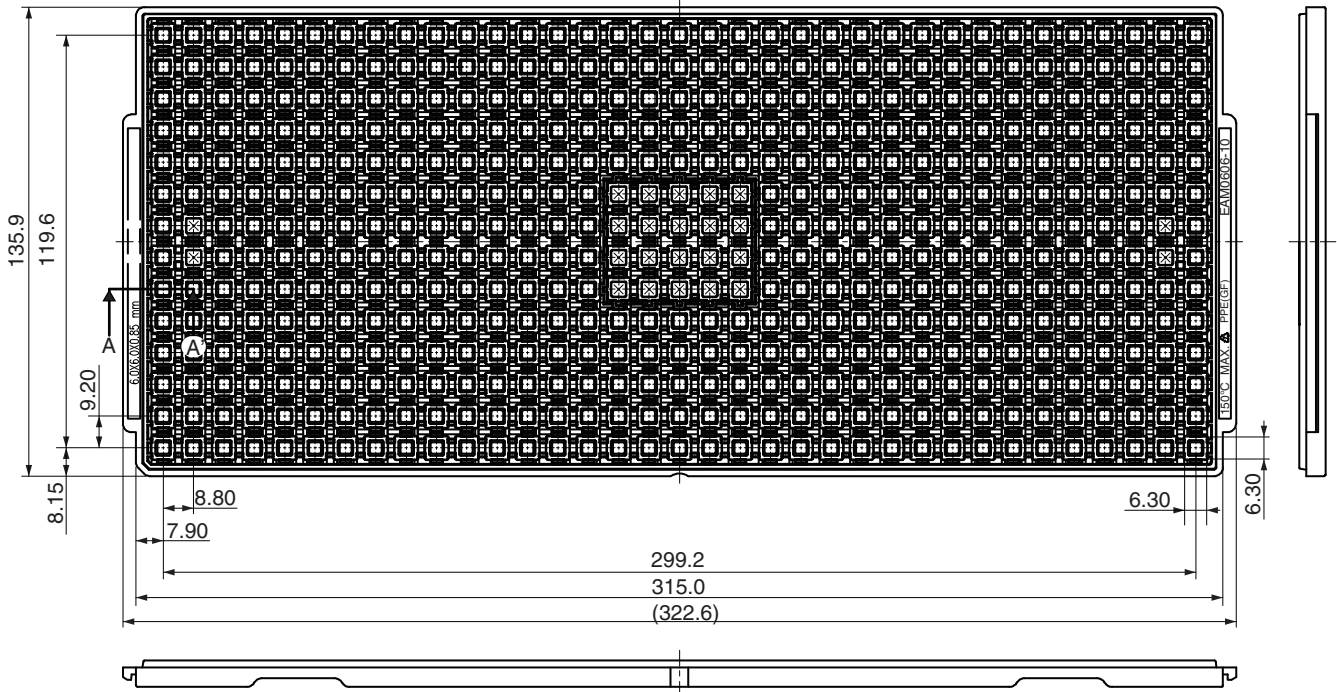
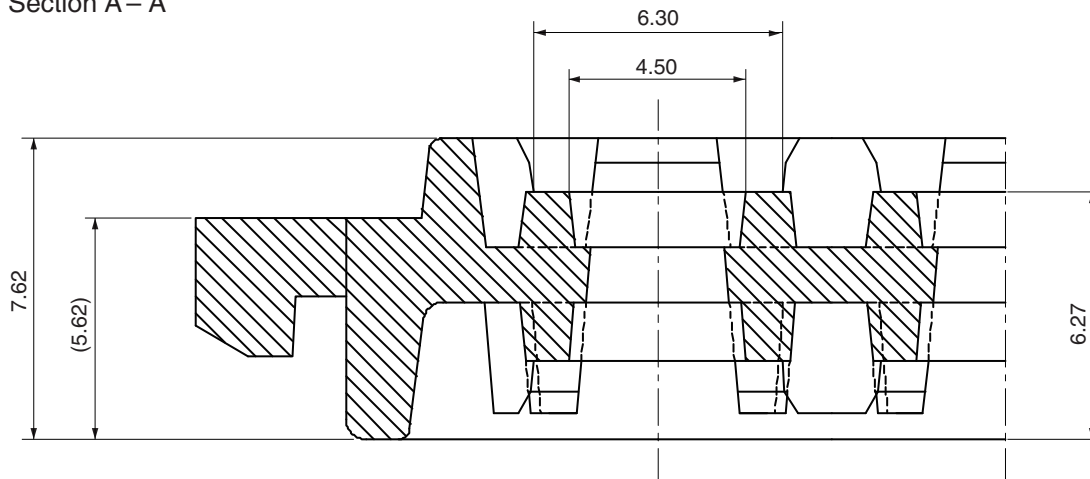


# TRAY CONTAINER

UNIT : mm



Section A - A'



Applied Package	Quantity (pcs)	Tray	EAM0606-10
40-pin Plastic QFN(6x6)	490 MAX.	Material	Carbon PPE
48-pin Plastic QFN(6x6)		Heat Proof Temp.	150°C MAX.
		Surface Resistance	Less than $1 \times 10^{12} \Omega / \square$

The tolerance of tray's dimensions are based on JEDEC STANDARD.