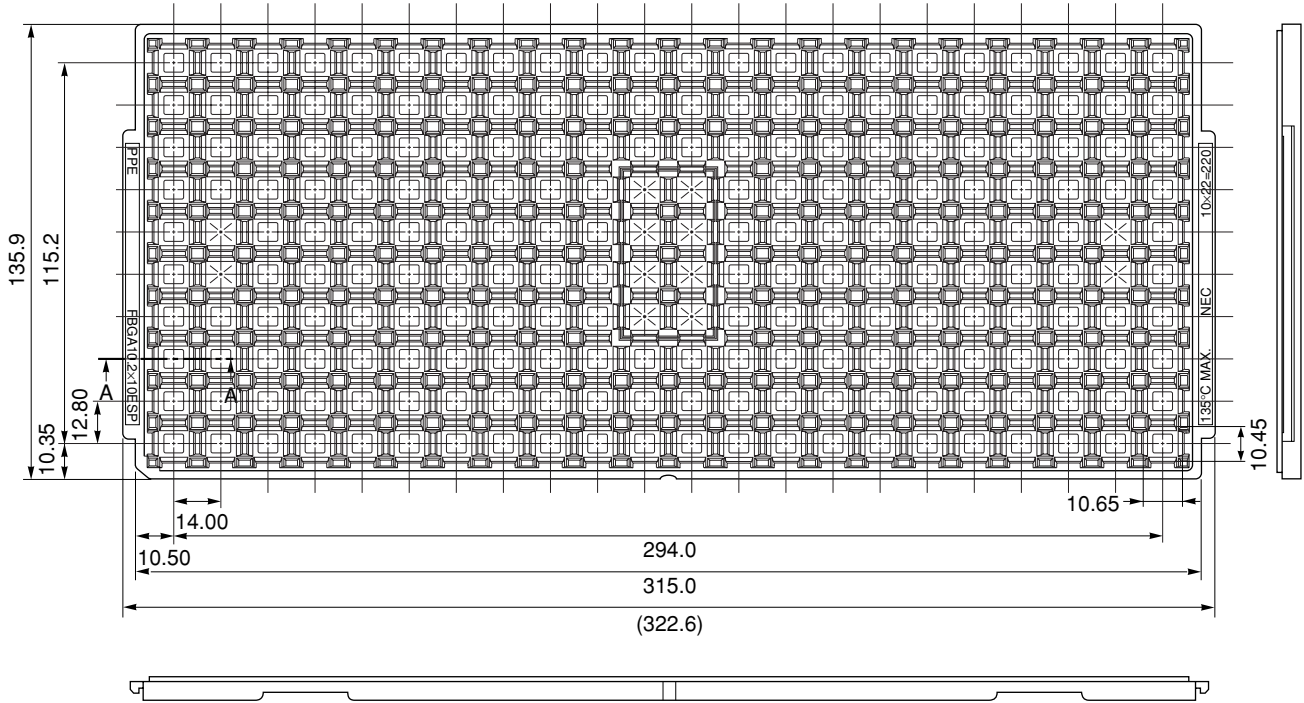
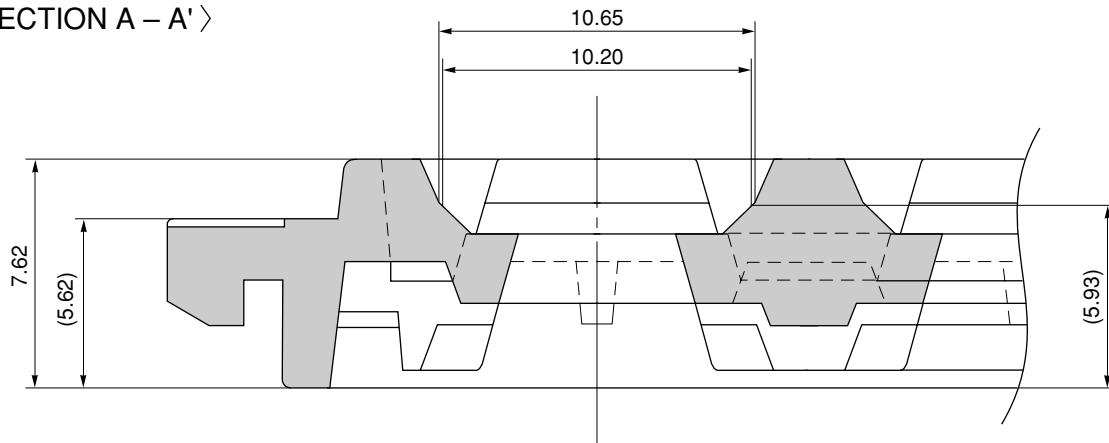


# TRAY CONTAINER

UNIT : mm



< SECTION A - A' >



Applied Package	Quantity (pcs)
181-pin Plastic FBGA (10.2×10)	220 MAX.

Tray	FBGA10.2×10ESP
Material	Carbon PPE
Heat Proof Temp.	135°C
Surface resistance	less than $1 \times 10^{12} \Omega / \square$

The tolerance of tray's dimensions are based on JEDEC STANDARD.

SSD-A-H7185

© 2010 Renesas Electronics Corporation. All rights reserved.