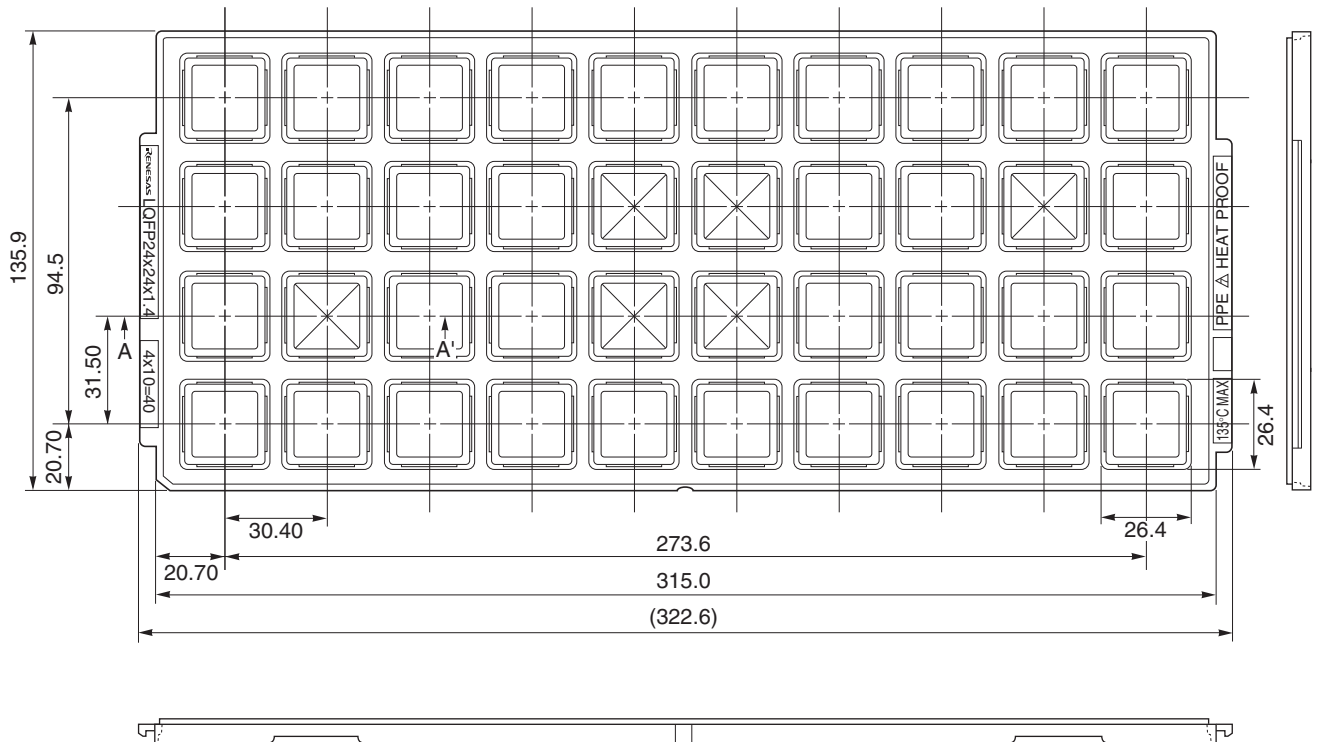
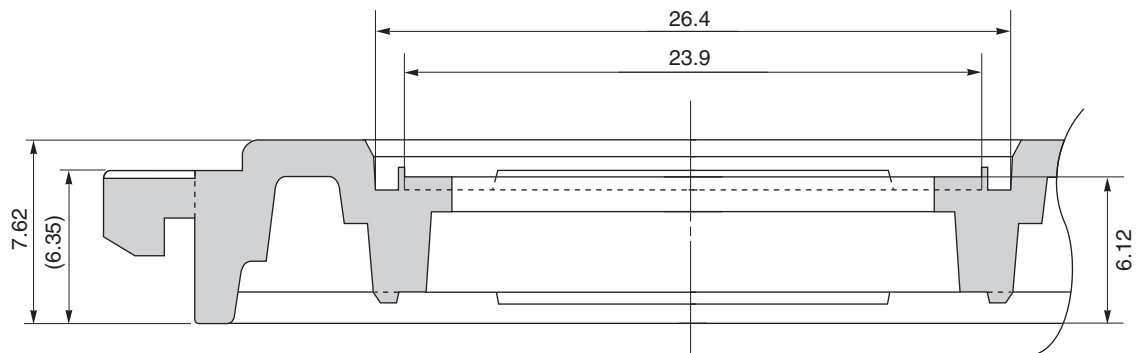


# TRAY CONTAINER

UNIT : mm



## < SECTION A – A' >



Applied Package	Quantity (pcs)	Tray	LQFP 24x24x1.4
160-pin • Plastic LQFP(Fine Pitch)(1.4mm thick)	MAX. 40	Material	Carbon PPE
176-pin • Plastic LQFP(Fine Pitch)(1.4mm thick)		Heat Proof Temp.	135°C
216-pin • Plastic LQFP(Fine Pitch)(1.4mm thick)		Surface resistance	less than $1 \times 10^{12} \Omega / \square$

The tolerance of tray's dimensions are based on JEDEC STANDARD.