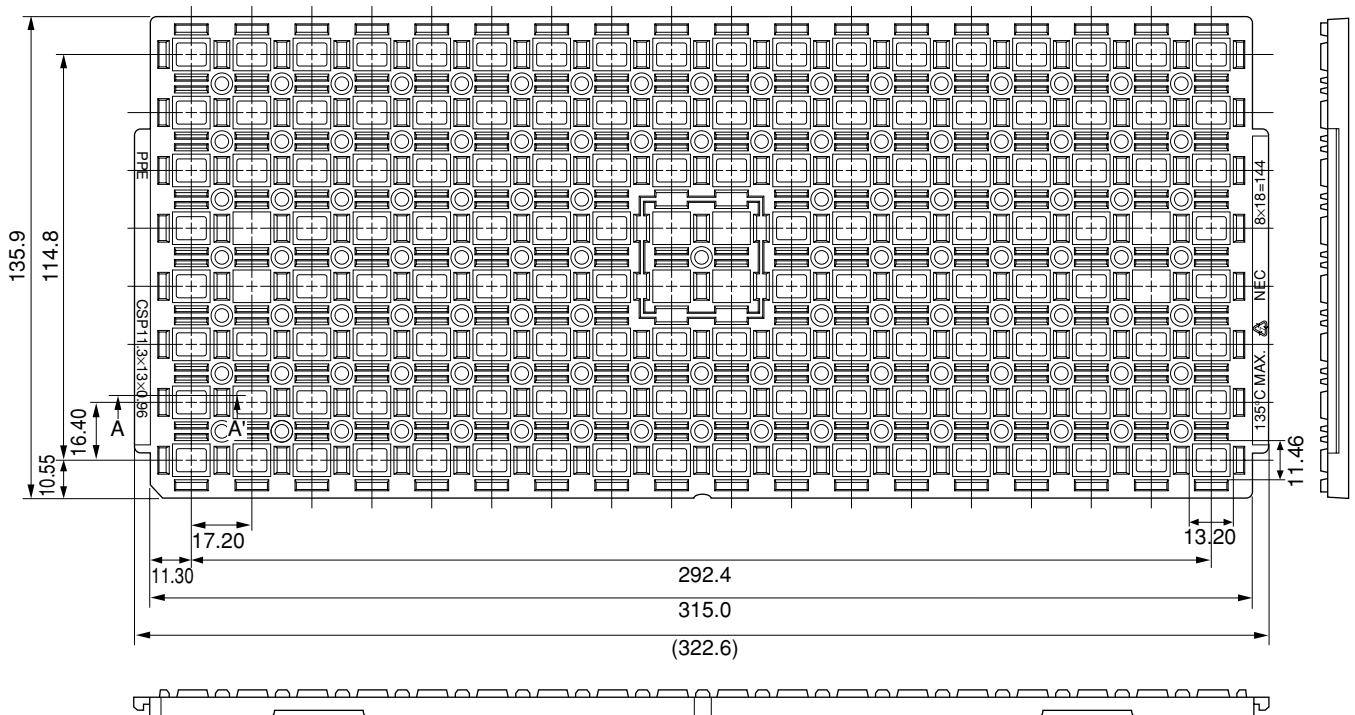
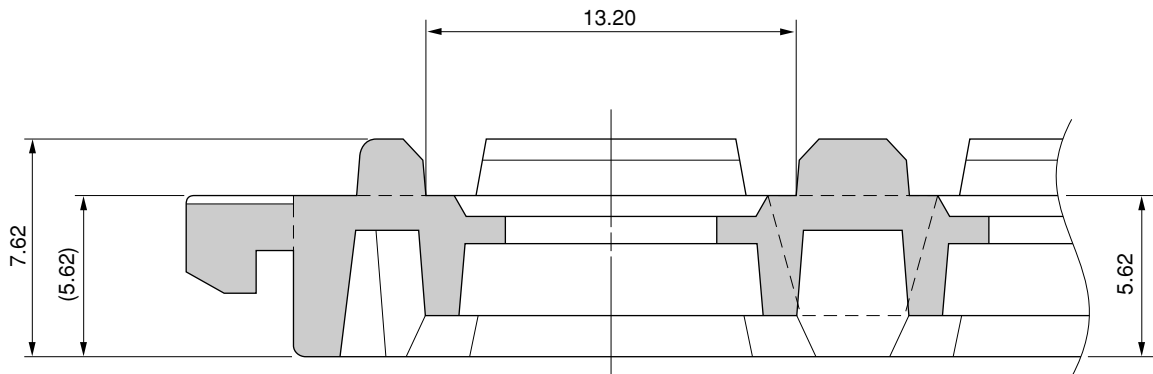


TRAY CONTAINER

UNIT : mm



< SECTION A - A' >



Applied Package	Quantity (pcs)
62-pin · Plastic FBGA	MAX. 144

Tray	CSP 11.3×13×0.96
Material	Carbon PPE
Heat Proof Temp.	135°C
Surface resistance	less than $1 \times 10^{12} \Omega / \square$

The tolerance of tray's dimensions are based on JEDEC STANDARD.

SSD-A-H6771

© 2010 Renesas Electronics Corporation. All rights reserved.