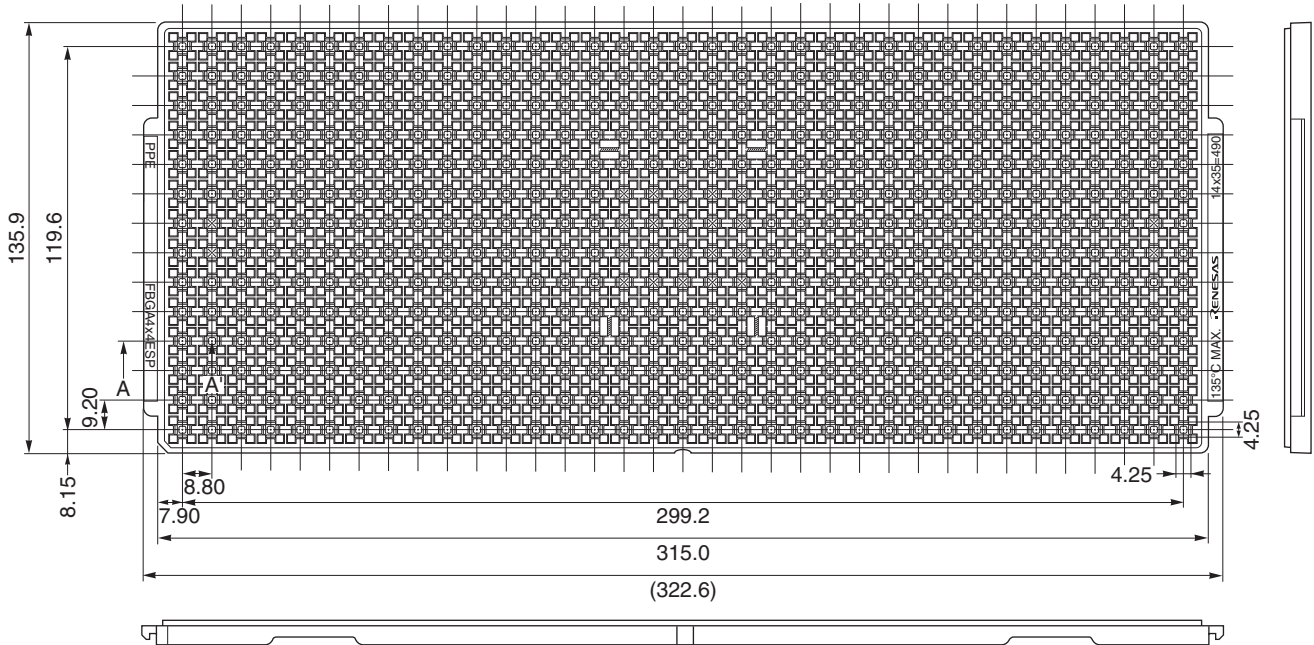
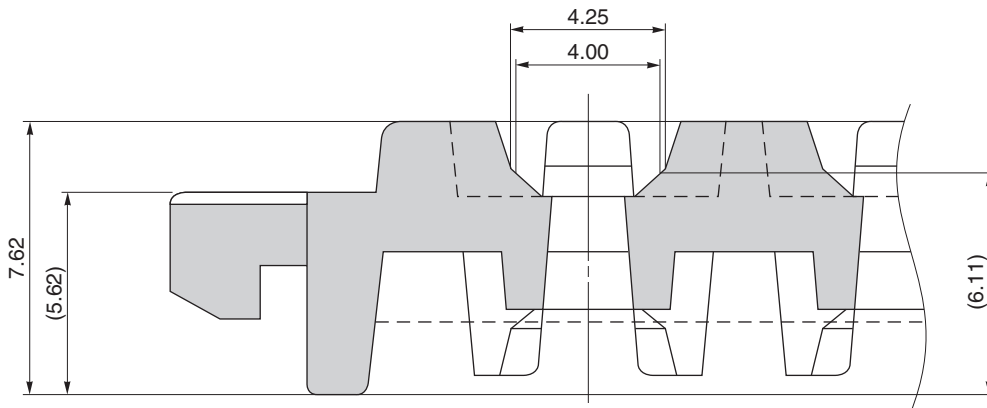


TRAY CONTAINER

UNIT : mm



<SECTION A-A>



Applied Package	Quantity (pcs)
36-pin Plastic FLGA (4x4)	490 MAX.

Tray	FBGA 4x4 ESP
Material	Carbon PPE
Heat Proof Temp.	135°C MAX.
Surface resistance	less than $1 \times 10^{12} \Omega / \square$

The tolerance of tray's dimensions are based on JEDEC STANDARD.