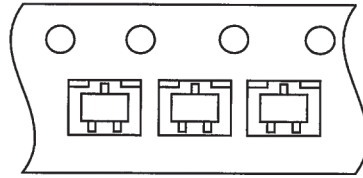
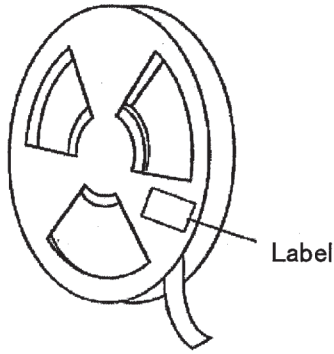
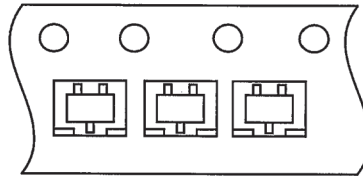


EMBOSSED TAPE PACKING

1. CONTAINER



-T1B (SC-59)
 -T1 (SC-70, SC-75, 3pinXSOF, 3pXSOF03, SOT-23, SOT-23F)

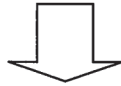


-T2B (SC-59)
 -T2 (SC-70, SC-75, 3pinXSOF, 3pXSOF03, SOT-23, SOT-23F)

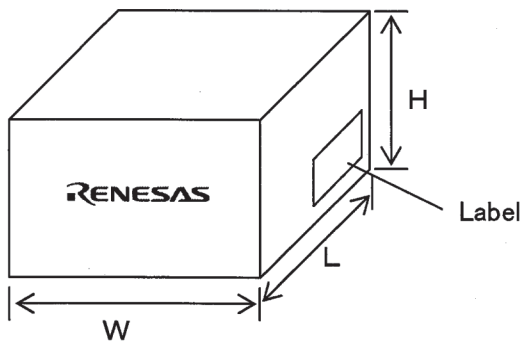
Applied package	Quantity (pcs)
SC-59 SC-70 SC-75 3pinXSOF 3pXSOF03 SOT-23 SOT-23F	3000

LABEL	PRODUCT, NAME, QUANTITY, LOT NUMBER, CLASS, COUNTRY OF ORIGIN
-------	--

Direction of feed →



2. INNER BOX



Dimension (mm) (W × H × L)	Quantity (Reel)
191 × 150 × 191	MAX. 10
191 × 90 × 191	MAX. 5

LABEL	PRODUCT, NAME, QUANTITY, LOT NUMBER, CLASS, COUNTRY OF ORIGIN
-------	--