

### FEATURES:

- **Dual channel T1/E1/J1 long haul/short haul line interfaces**
- **Supports HPS (Hitless Protection Switching) for 1+1 protection without external relays**
- **Receiver sensitivity exceeds -36 dB@772KHz and -43 dB@1024 KHz**
- **Programmable T1/E1/J1 switchability allowing one bill of material for any line condition**
- **Single 3.3 V power supply with 5 V tolerance on digital interfaces**
- **Meets or exceeds specifications in**
  - ANSI T1.102, T1.403 and T1.408
  - ITU I.431, G.703, G.736, G.775 and G.823
  - ETSI 300-166, 300-233 and TBR12/13
  - AT&T Pub 62411
- **Software programmable or hardware selectable on:**
  - Wave-shaping templates for short haul and long haul LBO (Line Build Out)
  - Line terminating impedance (T1:100 Ω, J1:110 Ω, E1: 75 Ω/120 Ω)
  - Adjustment of arbitrary pulse shape
  - JA (Jitter Attenuator) position (receive path or transmit path)
  - Single rail/dual rail system interfaces
  - B8ZS/HDB3/AMI line encoding/decoding
  - Active edge of transmit clock (TCLK) and receive clock (RCLK)
  - Active level of transmit data (TDATA) and receive data (RDATA)
- Receiver or transmitter power down
- High impedance setting for line drivers
- PRBS (Pseudo Random Bit Sequence) generation and detection with  $2^{15}-1$  PRBS polynomials for E1
- QRSS (Quasi Random Sequence Signals) generation and detection with  $2^{20}-1$  QRSS polynomials for T1/J1
- 16-bit BPV (Bipolar Pulse Violation) / Excess Zero/ PRBS or QRSS error counter
- Analog loopback, Digital loopback, Remote loopback and Inband loopback
- **Cable attenuation indication**
- **Adaptive receive sensitivity**
- **Non-intrusive monitoring per ITU G.772 specification**
- **Short circuit protection and internal protection diode for line drivers**
- **LOS (Loss Of Signal) and AIS (Alarm Indication Signal) detection**
- **JTAG interface**
- **Supports serial control interface, Motorola and Intel Non-Multiplexed interfaces and hardware control mode**
- **Pin compatible to 82V2042E T1/E1/J1 Short Haul LIU and 82V2052E E1 Short Haul LIU**
- **Available in 80-pin TQFP and 81-pin FPBGA**  
**Green package options available**

### DESCRIPTION:

The IDT82V2082 can be configured as a dual channel T1, E1 or J1 Line Interface Unit. In receive path, an Adaptive Equalizer is integrated to remove the distortion introduced by the cable attenuation. The IDT82V2082 also performs clock/data recovery, AMI/B8ZS/HDB3 line decoding and detects and reports the LOS conditions. In transmit path, there is an AMI/B8ZS/HDB3 encoder, Waveform Shaper and LBOs. There is one Jitter Attenuator, which can be placed in either the receive path or the transmit path. The Jitter Attenuator can also be disabled. The IDT82V2082 supports both Single Rail and Dual Rail system interfaces. To facilitate the network maintenance, a PRBS/QRSS generation/detection circuit is integrated in

the chip, and different types of loopbacks can be set according to the applications. Four different kinds of line terminating impedance, 75 Ω, 100 Ω, 110 Ω and 120 Ω are selectable on a per channel basis. The chip also provides driver short-circuit protection and internal protection diode and supports JTAG boundary scanning. The chip can be controlled by either software or hardware.

The IDT82V2082 can be used in LAN, WAN, Routers, Wireless Base Stations, IADs, IMAs, Gateways, Frame Relay Access Devices, CSU/DSU equipment, etc.

**FUNCTIONAL BLOCK DIAGRAM**

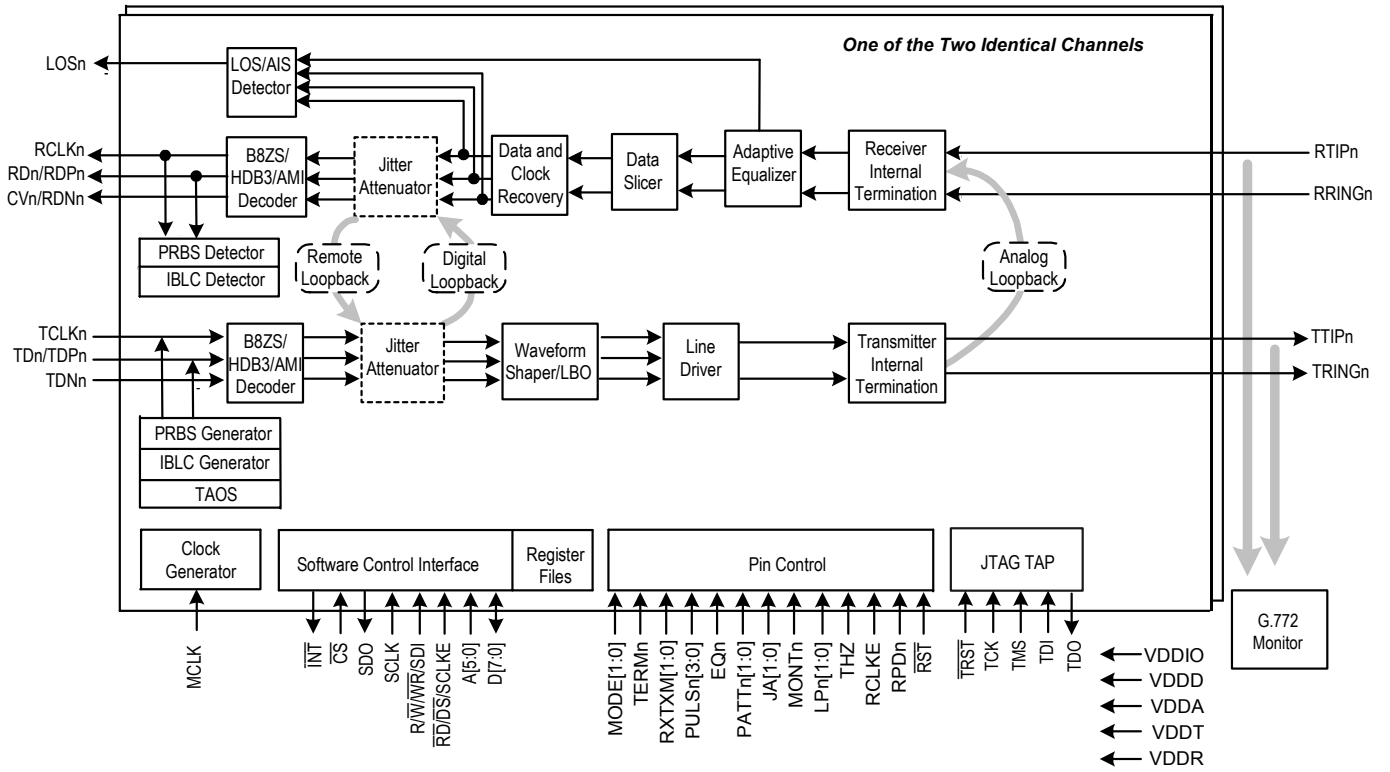


Figure-1 Block Diagram

# Table of Contents

|          |   |           |
|----------|---|-----------|
| <b>1</b> | <b>IDT82V2082 PIN CONFIGURATIONS</b>    | <b>9</b>  |
| <b>2</b> | <b>PIN DESCRIPTION</b>                  | <b>11</b> |
| <b>3</b> | <b>FUNCTIONAL DESCRIPTION</b>           | <b>19</b> |
| 3.1      | CONTROL MODE SELECTION                  | 19        |
| 3.2      | T1/E1/J1 MODE SELECTION                 | 19        |
| 3.3      | TRANSMIT PATH                           | 19        |
| 3.3.1    | TRANSMIT PATH SYSTEM INTERFACE          | 19        |
| 3.3.2    | ENCODER                                 | 19        |
| 3.3.3    | PULSE SHAPER                            | 19        |
| 3.3.3.1  | Preset Pulse Templates                  | 19        |
| 3.3.3.2  | LBO (Line Build Out)                    | 20        |
| 3.3.3.3  | User-Programmable Arbitrary Waveform    | 21        |
| 3.3.4    | TRANSMIT PATH LINE INTERFACE            | 25        |
| 3.3.5    | TRANSMIT PATH POWER DOWN                | 26        |
| 3.4      | RECEIVE PATH                            | 26        |
| 3.4.1    | RECEIVE INTERNAL TERMINATION            | 26        |
| 3.4.2    | LINE MONITOR                            | 27        |
| 3.4.3    | ADAPTIVE EQUALIZER                      | 28        |
| 3.4.4    | RECEIVE SENSITIVITY                     | 28        |
| 3.4.5    | DATA SLICER                             | 28        |
| 3.4.6    | CDR (Clock & Data Recovery)             | 28        |
| 3.4.7    | DECODER                                 | 28        |
| 3.4.8    | RECEIVE PATH SYSTEM INTERFACE           | 28        |
| 3.4.9    | RECEIVE PATH POWER DOWN                 | 28        |
| 3.4.10   | G.772 NON-INTRUSIVE MONITORING          | 29        |
| 3.5      | JITTER ATTENUATOR                       | 30        |
| 3.5.1    | JITTER ATTENUATION FUNCTION DESCRIPTION | 30        |
| 3.5.2    | JITTER ATTENUATOR PERFORMANCE           | 30        |
| 3.6      | LOS AND AIS DETECTION                   | 31        |
| 3.6.1    | LOS DETECTION                           | 31        |
| 3.6.2    | AIS DETECTION                           | 34        |
| 3.7      | TRANSMIT AND DETECT INTERNAL PATTERNS   | 35        |
| 3.7.1    | TRANSMIT ALL ONES                       | 35        |
| 3.7.2    | TRANSMIT ALL ZEROS                      | 35        |
| 3.7.3    | PRBS/QRSS GENERATION AND DETECTION      | 35        |
| 3.8      | LOOPBACK                                | 35        |
| 3.8.1    | ANALOG LOOPBACK                         | 35        |

|          |  |           |
|----------|--|-----------|
| 3.8.2    | DIGITAL LOOPBACK .....                             | 35        |
| 3.8.3    | REMOTE LOOPBACK.....                               | 36        |
| 3.8.4    | INBAND LOOPBACK.....                               | 37        |
| 3.8.4.1  | Transmit Activate/Deactivate Loopback Code.....    | 37        |
| 3.8.4.2  | Receive Activate/Deactivate Loopback Code.....     | 37        |
| 3.8.4.3  | Automatic Remote Loopback .....                    | 38        |
| 3.9      | ERROR DETECTION/COUNTING AND INSERTION .....       | 39        |
| 3.9.1    | DEFINITION OF LINE CODING ERROR .....              | 39        |
| 3.9.2    | ERROR DETECTION AND COUNTING .....                 | 39        |
| 3.9.3    | BIPOLAR VIOLATION AND PRBS ERROR INSERTION .....   | 40        |
| 3.10     | LINE DRIVER FAILURE MONITORING .....               | 40        |
| 3.11     | MCLK AND TCLK .....                                | 41        |
| 3.11.1   | MASTER CLOCK (MCLK) .....                          | 41        |
| 3.11.2   | TRANSMIT CLOCK (TCLK).....                         | 41        |
| 3.12     | MICROCONTROLLER INTERFACES .....                   | 42        |
| 3.12.1   | PARALLEL MICROCONTROLLER INTERFACE.....            | 42        |
| 3.12.2   | SERIAL MICROCONTROLLER INTERFACE .....             | 42        |
| 3.13     | INTERRUPT HANDLING .....                           | 43        |
| 3.14     | 5V TOLERANT I/O PINS .....                         | 44        |
| 3.15     | RESET OPERATION .....                              | 44        |
| 3.16     | POWER SUPPLY .....                                 | 44        |
| <b>4</b> | <b>PROGRAMMING INFORMATION .....</b>               | <b>45</b> |
| 4.1      | REGISTER LIST AND MAP .....                        | 45        |
| 4.2      | Reserved Registers .....                           | 45        |
| 4.3      | REGISTER DESCRIPTION .....                         | 47        |
| 4.3.1    | GLOBAL REGISTERS.....                              | 47        |
| 4.3.2    | TRANSMIT AND RECEIVE TERMINATION REGISTER.....     | 48        |
| 4.3.3    | JITTER ATTENUATION CONTROL REGISTER .....          | 48        |
| 4.3.4    | TRANSMIT PATH CONTROL REGISTERS.....               | 49        |
| 4.3.5    | RECEIVE PATH CONTROL REGISTERS .....               | 51        |
| 4.3.6    | NETWORK DIAGNOSTICS CONTROL REGISTERS .....        | 53        |
| 4.3.7    | INTERRUPT CONTROL REGISTERS.....                   | 56        |
| 4.3.8    | LINE STATUS REGISTERS.....                         | 59        |
| 4.3.9    | INTERRUPT STATUS REGISTERS .....                   | 62        |
| 4.3.10   | COUNTER REGISTERS .....                            | 63        |
| <b>5</b> | <b>HARDWARE CONTROL PIN SUMMARY .....</b>          | <b>64</b> |
| <b>6</b> | <b>IEEE STD 1149.1 JTAG TEST ACCESS PORT .....</b> | <b>66</b> |
| 6.1      | JTAG INSTRUCTIONS AND INSTRUCTION REGISTER .....   | 67        |
| 6.2      | JTAG DATA REGISTER .....                           | 67        |
| 6.2.1    | DEVICE IDENTIFICATION REGISTER (IDR).....          | 67        |
| 6.2.2    | BYPASS REGISTER (BR).....                          | 67        |

|          |   |           |
|----------|---|-----------|
| 6.2.3    | BOUNDARY SCAN REGISTER (BSR) .....                            | 67        |
| 6.2.4    | TEST ACCESS PORT CONTROLLER .....                             | 67        |
| <b>7</b> | <b>TEST SPECIFICATIONS .....</b>                              | <b>70</b> |
| <b>8</b> | <b>MICROCONTROLLER INTERFACE TIMING CHARACTERISTICS .....</b> | <b>83</b> |
| 8.1      | SERIAL INTERFACE TIMING .....                                 | 83        |
| 8.2      | PARALLEL INTERFACE TIMING .....                               | 84        |

# List of Tables

|          |   |    |
|----------|---|----|
| Table-1  | Pin Description .....   | 11 |
| Table-2  | Transmit Waveform Value For E1 75 Ohm .....                         | 22 |
| Table-3  | Transmit Waveform Value For E1 120 Ohm .....                        | 22 |
| Table-4  | Transmit Waveform Value For T1 0~133 ft.....                        | 22 |
| Table-5  | Transmit Waveform Value For T1 133~266 ft.....                      | 23 |
| Table-6  | Transmit Waveform Value For T1 266~399 ft.....                      | 23 |
| Table-7  | Transmit Waveform Value For T1 399~533 ft.....                      | 23 |
| Table-8  | Transmit Waveform Value For T1 533~655 ft.....                      | 23 |
| Table-9  | Transmit Waveform Value For J1 0~655 ft.....                        | 24 |
| Table-10 | Transmit Waveform Value For DS1 0 dB LBO.....                       | 24 |
| Table-11 | Transmit Waveform Value For DS1 -7.5 dB LBO .....                   | 24 |
| Table-12 | Transmit Waveform Value For DS1 -15.0 dB LBO .....                  | 24 |
| Table-13 | Transmit Waveform Value For DS1 -22.5 dB LBO .....                  | 25 |
| Table-14 | Impedance Matching for Transmitter .....                            | 25 |
| Table-15 | Impedance Matching for Receiver .....                               | 26 |
| Table-16 | Criteria of Starting Speed Adjustment.....                          | 30 |
| Table-17 | LOS Declare and Clear Criteria for Short Haul Mode .....            | 32 |
| Table-18 | LOS Declare and Clear Criteria for Long Haul Mode.....              | 33 |
| Table-19 | AIS Condition .....   | 34 |
| Table-20 | Criteria for Setting/Clearing the PRBS_S Bit .....                  | 35 |
| Table-21 | EXZ Definition .....  | 39 |
| Table-22 | Interrupt Event.....  | 43 |
| Table-23 | Global Register List and Map.....                                   | 45 |
| Table-24 | Per Channel Register List and Map .....                             | 46 |
| Table-25 | ID: Device Revision Register .....                                  | 47 |
| Table-26 | RST: Reset Register .....   | 47 |
| Table-27 | GCF: Global Configuration Register .....                            | 47 |
| Table-28 | INTCH: Interrupt Channel Indication Register.....                   | 47 |
| Table-29 | TERM: Transmit and Receive Termination Configuration Register ..... | 48 |
| Table-30 | JACF: Jitter Attenuation Configuration Register .....               | 48 |
| Table-31 | TCF0: Transmitter Configuration Register 0 .....                    | 49 |
| Table-32 | TCF1: Transmitter Configuration Register 1 .....                    | 50 |
| Table-33 | TCF2: Transmitter Configuration Register 2 .....                    | 50 |
| Table-34 | TCF3: Transmitter Configuration Register 3 .....                    | 51 |
| Table-35 | TCF4: Transmitter Configuration Register 4 .....                    | 51 |
| Table-36 | RCF0: Receiver Configuration Register 0.....                        | 51 |
| Table-37 | RCF1: Receiver Configuration Register 1.....                        | 52 |
| Table-38 | RCF2: Receiver Configuration Register 2.....                        | 53 |
| Table-39 | MAINT0: Maintenance Function Control Register 0.....                | 53 |
| Table-40 | MAINT1: Maintenance Function Control Register 1.....                | 54 |
| Table-41 | MAINT2: Maintenance Function Control Register 2.....                | 54 |

|          |   |    |
|----------|---|----|
| Table-42 | MAINT3: Maintenance Function Control Register 3.....          | 54 |
| Table-43 | MAINT4: Maintenance Function Control Register 4.....          | 55 |
| Table-44 | MAINT5: Maintenance Function Control Register 5.....          | 55 |
| Table-45 | MAINT6: Maintenance Function Control Register 6.....          | 55 |
| Table-46 | INTM0: Interrupt Mask Register 0.....                         | 56 |
| Table-47 | INTM1: Interrupt Masked Register 1.....                       | 57 |
| Table-48 | INTES: Interrupt Trigger Edge Select Register.....            | 58 |
| Table-49 | STAT0: Line Status Register 0 (real time status monitor)..... | 59 |
| Table-50 | STAT1: Line Status Register 1 (real time status monitor)..... | 60 |
| Table-51 | INTS0: Interrupt Status Register 0.....                       | 62 |
| Table-52 | INTS1: Interrupt Status Register 1.....                       | 63 |
| Table-53 | CNT0: Error Counter L-byte Register 0.....                    | 63 |
| Table-54 | CNT1: Error Counter H-byte Register 1.....                    | 63 |
| Table-55 | Hardware Control Pin Summary.....                             | 64 |
| Table-56 | Instruction Register Description.....                         | 67 |
| Table-57 | Device Identification Register Description.....               | 67 |
| Table-58 | TAP Controller State Description.....                         | 68 |
| Table-59 | Absolute Maximum Rating.....                                  | 70 |
| Table-60 | Recommended Operation Conditions.....                         | 71 |
| Table-61 | Power Consumption.....  | 71 |
| Table-62 | DC Characteristics.....                                       | 71 |
| Table-63 | E1 Receiver Electrical Characteristics.....                   | 72 |
| Table-64 | T1/J1 Receiver Electrical Characteristics.....                | 73 |
| Table-65 | E1 Transmitter Electrical Characteristics.....                | 74 |
| Table-66 | T1/J1 Transmitter Electrical Characteristics.....             | 75 |
| Table-67 | Transmitter and Receiver Timing Characteristics.....          | 76 |
| Table-68 | Jitter Tolerance.....   | 77 |
| Table-69 | Jitter Attenuator Characteristics.....                        | 79 |
| Table-70 | JTAG Timing Characteristics.....                              | 81 |
| Table-71 | Serial Interface Timing Characteristics.....                  | 83 |
| Table-72 | Non-Multiplexed Motorola Read Timing Characteristics.....     | 84 |
| Table-73 | Non-Multiplexed Motorola Write Timing Characteristics.....    | 85 |
| Table-74 | Non-Multiplexed Intel Read Timing Characteristics.....        | 86 |
| Table-75 | Non-Multiplexed Intel Write Timing Characteristics.....       | 87 |

# List of Figures

|           |  |    |
|-----------|--|----|
| Figure-1  | Block Diagram .....  | 2  |
| Figure-2  | IDT82V2082 TQFP80 Package Pin Assignment .....             | 9  |
| Figure-3  | IDT82V2082 FPBGA81 Package Pin Assignment (Top View) ..... | 10 |
| Figure-4  | E1 Waveform Template Diagram .....                         | 20 |
| Figure-5  | E1 Pulse Template Test Circuit .....                       | 20 |
| Figure-6  | DSX-1 Waveform Template .....                              | 20 |
| Figure-7  | T1 Pulse Template Test Circuit .....                       | 20 |
| Figure-8  | Receive Path Function Block Diagram .....                  | 26 |
| Figure-9  | Transmit/Receive Line Circuit .....                        | 27 |
| Figure-10 | Monitoring Receive Line in Another Chip .....              | 27 |
| Figure-11 | Monitor Transmit Line in Another Chip .....                | 27 |
| Figure-12 | G.772 Monitoring Diagram .....                             | 29 |
| Figure-13 | Jitter Attenuator .....                                    | 30 |
| Figure-14 | LOS Declare and Clear .....                                | 31 |
| Figure-15 | Analog Loopback .....                                      | 36 |
| Figure-16 | Digital Loopback .....                                     | 36 |
| Figure-17 | Remote Loopback .....                                      | 37 |
| Figure-18 | Auto Report Mode .....                                     | 39 |
| Figure-19 | Manual Report Mode .....                                   | 40 |
| Figure-20 | TCLK Operation Flowchart .....                             | 41 |
| Figure-21 | Serial Microcontroller Interface Function Timing .....     | 42 |
| Figure-22 | JTAG Architecture .....                                    | 66 |
| Figure-23 | JTAG State Diagram .....                                   | 69 |
| Figure-24 | Transmit System Interface Timing .....                     | 77 |
| Figure-25 | Receive System Interface Timing .....                      | 77 |
| Figure-26 | E1 Jitter Tolerance Performance .....                      | 78 |
| Figure-27 | T1/J1 Jitter Tolerance Performance .....                   | 79 |
| Figure-28 | E1 Jitter Transfer Performance .....                       | 80 |
| Figure-29 | T1/J1 Jitter Transfer Performance .....                    | 81 |
| Figure-30 | JTAG Interface Timing .....                                | 82 |
| Figure-31 | Serial Interface Write Timing .....                        | 83 |
| Figure-32 | Serial Interface Read Timing with SCLKE=1 .....            | 83 |
| Figure-33 | Serial Interface Read Timing with SCLKE=0 .....            | 83 |
| Figure-34 | Non-Multiplexed Motorola Read Timing .....                 | 84 |
| Figure-35 | Non-Multiplexed Motorola Write Timing .....                | 85 |
| Figure-36 | Non-Multiplexed Intel Read Timing .....                    | 86 |
| Figure-37 | Non-Multiplexed Intel Write Timing .....                   | 87 |



# 1 IDT82V2082 PIN CONFIGURATIONS

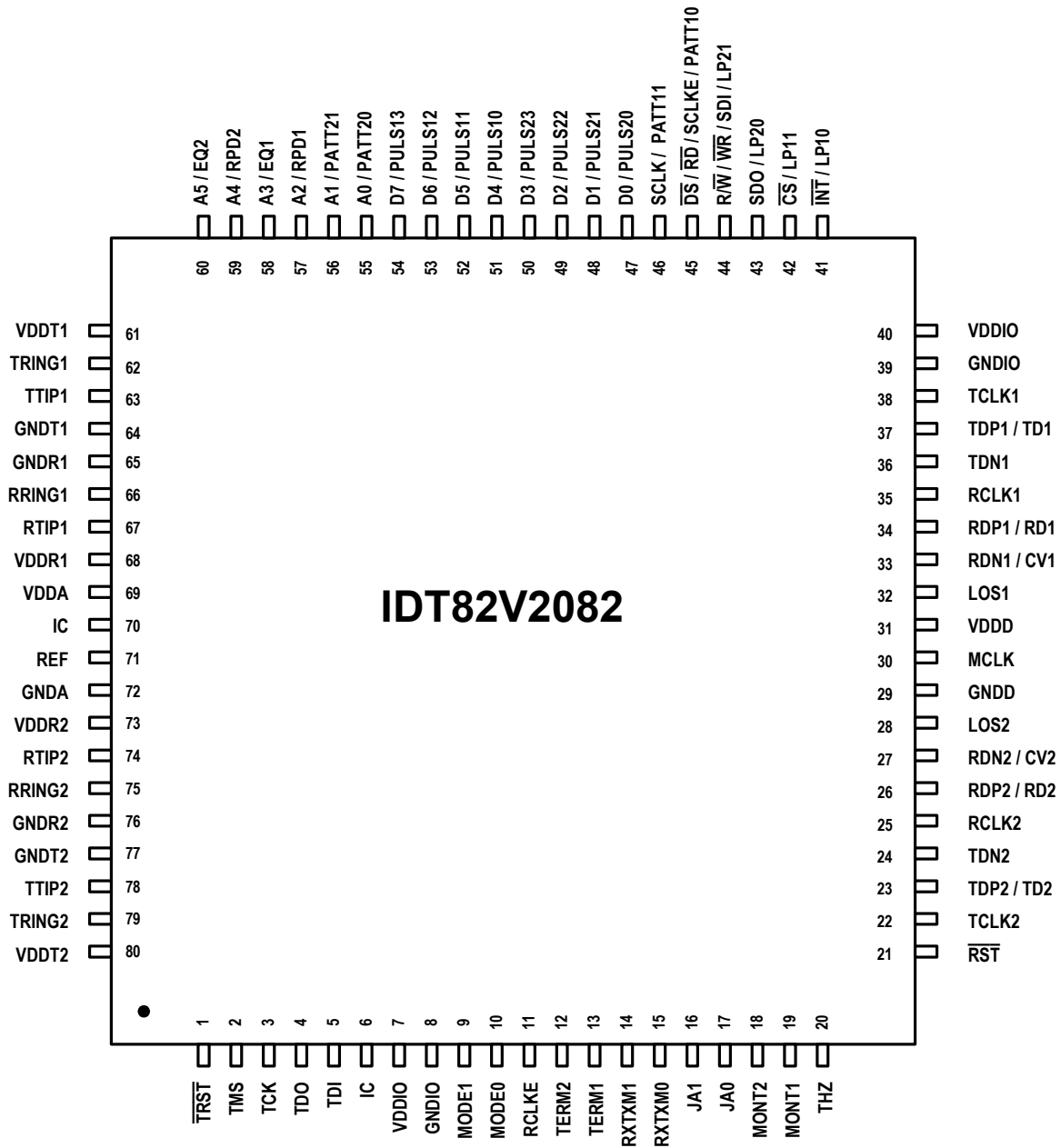


Figure-2 IDT82V2082 TQFP80 Package Pin Assignment

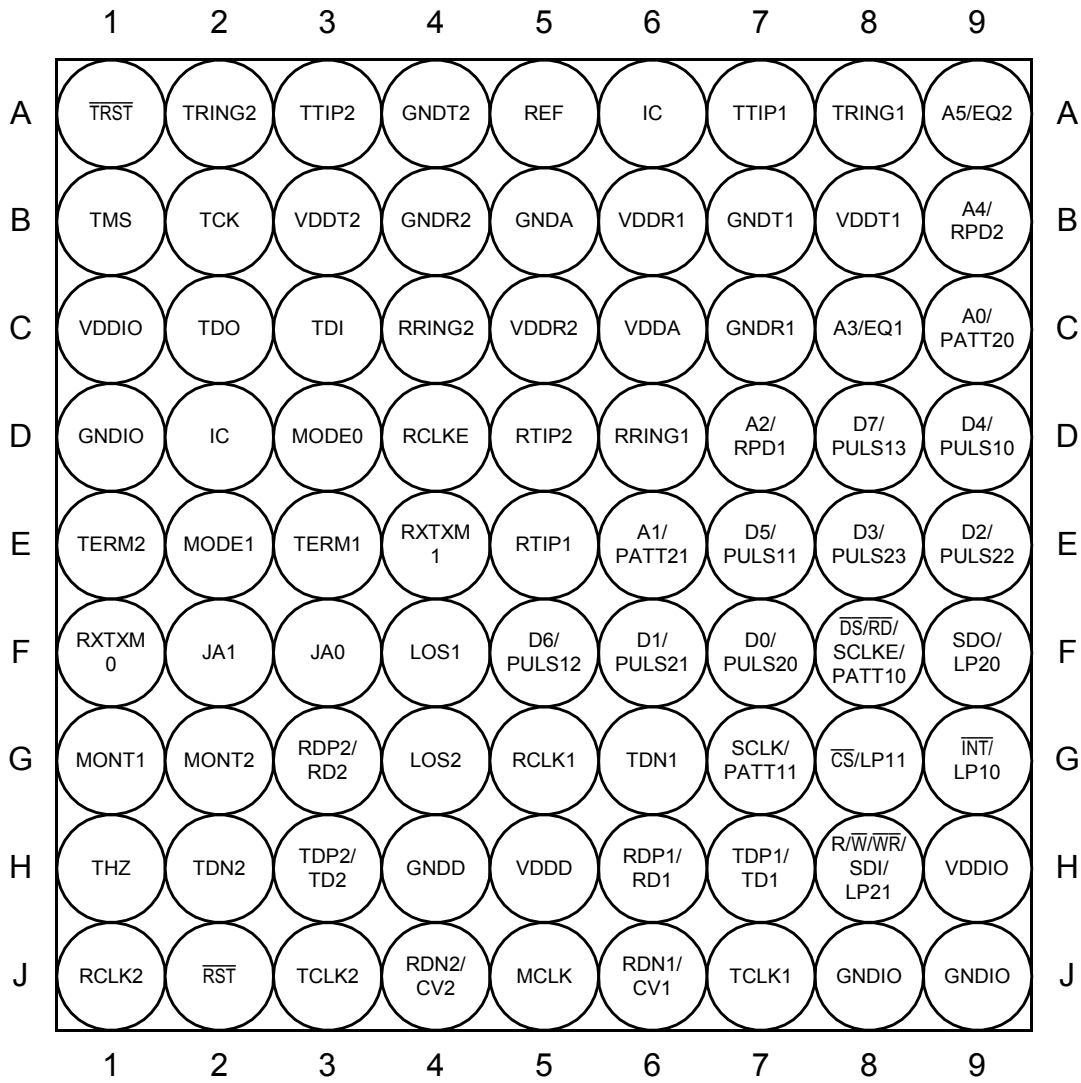


Figure-3 IDT82V2082 FPBGA81 Package Pin Assignment (Top View)

## 2 PIN DESCRIPTION

Table-1 Pin Description

| Name                                     | Type             | TQFP80<br>Pin No.        | FPBGA81<br>Pin No.       | Description  |      |      |              |   |   |       |   |   |                |   |   |                |   |   |       |
|--|------------------|--------------------------|--------------------------|--|------|------|--------------|---|---|-------|---|---|----------------|---|---|----------------|---|---|-------|
| TTIP1<br>TTIP2<br><br>TRING1<br>TRING2   | Analog<br>Output | 63<br>78<br><br>62<br>79 | A7<br>A3<br><br>A8<br>A2 | <p><b>TTIPn<sup>1</sup>/TRINGn: Transmit Bipolar Tip/Ring for Channel 1~2</b><br/>These pins are the differential line driver outputs and can be set to high impedance state globally or individually. A logic high on THZ pin turns all these pins into high impedance state. When THZ bit (TCF1, 03H...) <sup>2</sup> is set to '1', the TTIPn/TRINGn in the corresponding channel is set to high impedance state.</p> <p>In summary, these pins will become high impedance in the following conditions:</p> <ul style="list-style-type: none"> <li>• THZ pin is high: all TTIPn/TRINGn enter high impedance;</li> <li>• THZn bit is set to 1: the corresponding TTIPn/TRINGn become high impedance;</li> <li>• Loss of MCLK: all TTIPn/TRINGn pins become high impedance;</li> <li>• Loss of TCLKn: the corresponding TTIPn/TRINGn become HZ (exceptions: Remote Loopback; Transmit internal pattern by MCLK);</li> <li>• Transmitter path power down: the corresponding TTIPn/TRINGn become high impedance;</li> <li>• After software reset; pin reset and power on: all TTIPn/TRINGn enter high impedance.</li> </ul>   |      |      |              |   |   |       |   |   |                |   |   |                |   |   |       |
| RTIP1<br>RTIP2<br><br>RRING1<br>RRING2   | Analog<br>Input  | 67<br>74<br><br>66<br>75 | E5<br>D5<br><br>D6<br>C4 | <p><b>RTIPn/RRINGn: Receive Bipolar Tip/Ring for Channel 1~2</b><br/>These signals are the differential receiver inputs.</p>   |      |      |              |   |   |       |   |   |                |   |   |                |   |   |       |
| TD1/TDP1<br>TD2/TDP2<br><br>TDN1<br>TDN2 | I                | 37<br>23<br><br>36<br>24 | H7<br>H3<br><br>G6<br>H2 | <p><b>TDn: Transmit Data for Channel 1~2</b><br/>When the device is in single rail mode, the NRZ data to be transmitted is input on this pin. Data on TDn pin is sampled into the device on the active edge of TCLKn and is encoded by AMI, HDB3 or B8ZS line code rules before being transmitted. In this mode, TDNn should be connected to ground.</p> <p><b>TDPn/TDNn: Positive/Negative Transmit Data</b><br/>When the device is in dual rail mode, the NRZ data to be transmitted for positive/negative pulse is input on these pins. Data on TDPn/TDNn pin is sampled into the device on the active edge of TCLKn. The active polarity is also selectable. Refer to <a href="#">3.3.1 TRANSMIT PATH SYSTEM INTERFACE</a> for details. The line code in dual rail mode is as follows:</p> <table border="1" style="margin-left: auto; margin-right: auto;"> <thead> <tr> <th>TDPn</th> <th>TDNn</th> <th>Output Pulse</th> </tr> </thead> <tbody> <tr> <td>0</td> <td>0</td> <td>Space</td> </tr> <tr> <td>0</td> <td>1</td> <td>Positive Pulse</td> </tr> <tr> <td>1</td> <td>0</td> <td>Negative Pulse</td> </tr> <tr> <td>1</td> <td>1</td> <td>Space</td> </tr> </tbody> </table> | TDPn | TDNn | Output Pulse | 0 | 0 | Space | 0 | 1 | Positive Pulse | 1 | 0 | Negative Pulse | 1 | 1 | Space |
| TDPn                                     | TDNn             | Output Pulse             |                          |  |      |      |              |   |   |       |   |   |                |   |   |                |   |   |       |
| 0  | 0                | Space                    |                          |  |      |      |              |   |   |       |   |   |                |   |   |                |   |   |       |
| 0  | 1                | Positive Pulse           |                          |  |      |      |              |   |   |       |   |   |                |   |   |                |   |   |       |
| 1  | 0                | Negative Pulse           |                          |  |      |      |              |   |   |       |   |   |                |   |   |                |   |   |       |
| 1  | 1                | Space                    |                          |  |      |      |              |   |   |       |   |   |                |   |   |                |   |   |       |
| TCLK1<br>TCLK2                           | I                | 38<br>22                 | J7<br>J3                 | <p><b>TCLKn: Transmit Clock for Channel 1~2</b><br/>This pin inputs 1.544 MHz for T1/J1 mode or 2.048 MHz for E1 mode transmit clock. The transmit data at TDn/TDPn or TDNn is sampled into the device on the active edge of TCLKn. If TCLKn is missing <sup>3</sup> and the TCLKn missing interrupt is not masked, an interrupt will be generated.</p>  |      |      |              |   |   |       |   |   |                |   |   |                |   |   |       |

## Notes:

1. The footprint 'n' (n = 1~2) represents one of the two channels.
2. The name and address of the registers that contain the preceding bit. Only the address of channel 1 register is listed, the rest addresses are represented by '...'. Users can find these omitted addresses in the *Register Description* section.
3. TCLKn missing: the state of TCLKn continues to be high level or low level over 70 MCLK cycles.

Table-1 Pin Description (Continued)

| Name   | Type | TQFP80<br>Pin No.                | FPBGA81<br>Pin No.               | Description   |
|--|------|----------------------------------|----------------------------------|---|
| RD1/<br>RDP1<br>RD2/<br>RDP2<br><br>CV1/<br>RDN1<br>CV2/<br>RDN2 | O    | 34<br><br>26<br><br>33<br><br>27 | H6<br><br>G3<br><br>J6<br><br>J4 | <p><b>RDN: Receive Data output for Channel 1~2</b><br/>In single rail mode, this pin outputs NRZ data. The data is decoded according to AMI, HDB3 or B8ZS line code rules.</p> <p><b>CVn: Code Violation indication</b><br/>In single rail mode, the BPV/CV errors in received data stream will be reported by driving the CVn pin to high level for a full clock cycle. B8ZS/HDB3 line code violation can be indicated if the B8ZS/HDB3 decoder is enabled. When AMI decoder is selected, bipolar violation will be indicated.</p> <p>In hardware control mode, the EXZ, BPV/CV errors in received data stream are always monitored by the CVn pin if single rail mode is chosen.</p> <p><b>RDPn/RDNn: Positive/Negative Receive Data output for Channel 1~2</b><br/>In dual rail mode, these pins output the re-timed NRZ data when CDR is enabled, or directly outputs the raw RZ slicer data if CDR is bypassed.</p> <p><b>Active edge and level select:</b><br/>Data on RDPn/RDNn or RDn is clocked with either the rising or the falling edge of RCLKn. The active polarity is also selectable. Refer to <a href="#">3.4.8 RECEIVE PATH SYSTEM INTERFACE</a> for details.</p> |
| RCLK1<br>RCLK2   | O    | 35<br>25                         | G5<br>J1                         | <p><b>RCLKn: Receive Clock output for Channel 1~2</b><br/>This pin outputs 1.544 MHz for T1/J1 mode or 2.048 MHz for E1 mode receive clock. Under LOS conditions with AIS enabled (bit AISE=1), RCLKn is derived from MCLK.</p> <p>In clock recovery mode, this signal provides the clock recovered from the RTIPn/RRINGn signal. The receive data (RDn in single rail mode or RDPn and RDNn in dual rail mode) is clocked out of the device on the active edge of RCLKn.</p> <p>If clock recovery is bypassed, RCLKn is the exclusive OR (XOR) output of the dual rail slicer data RDPn and RDNn. This signal can be used in applications with external clock recovery circuitry.</p>  |
| MCLK   | I    | 30                               | J5                               | <p><b>MCLK: Master Clock input</b><br/>A built-in clock system that accepts selectable 2.048 MHz reference for E1 operating mode and 1.544 MHz reference for T1/J1 operating mode. This reference clock is used to generate several internal reference signals:</p> <ul style="list-style-type: none"> <li>• Timing reference for the integrated clock recovery unit.</li> <li>• Timing reference for the integrated digital jitter attenuator.</li> <li>• Timing reference for microcontroller interface.</li> <li>• Generation of RCLKn signal during a loss of signal condition.</li> <li>• Reference clock to transmit All Ones, all zeros, PRBS/QRSS pattern as well as activate or deactivate Inband Loopback code if MCLK is selected as the reference clock. Note that for ATA0 and AIS, MCLK is always used as the reference clock.</li> <li>• Reference clock during Transmit All Ones (TAO) condition or sending PRBS/QRSS in hardware control mode.</li> </ul> <p>The loss of MCLK will turn TTIP/TRING into high impedance status.</p>   |
| LOS1<br>LOS2   | O    | 32<br>28                         | F4<br>G4                         | <p><b>LOSn: Loss of Signal Output for Channel 1~2</b><br/>These pins are used to indicate the loss of received signals. When LOSn pin becomes high, it indicates the loss of received signal in channel n. The LOS pin will become low automatically when valid received signal is detected again. The criteria of loss of signal are described in <a href="#">3.6 LOS AND AIS DETECTION</a>.</p>   |
| REF  | I    | 71                               | A5                               | <p><b>REF: reference resistor</b><br/>An external resistor (3k<math>\Omega</math>, 1%) is used to connect this pin to ground to provide a standard reference current for internal circuit.</p>  |

Table-1 Pin Description (Continued)

| Name                         | Type                             | TQFP80<br>Pin No. | FPBGA81<br>Pin No. | Description  |           |                        |    |                    |    |                                  |    |                          |    |                       |
|------------------------------|----------------------------------|-------------------|--------------------|--|-----------|------------------------|----|--------------------|----|----------------------------------|----|--------------------------|----|-----------------------|
| MODE1<br>MODE0               | I                                | 9<br>10           | E2<br>D3           | <p><b>MODE[1:0]: operation mode of control interface select</b><br/>The level on this pin determines which control mode is used to control the device as follows:</p> <table border="1"> <thead> <tr> <th>MODE[1:0]</th> <th>Control Interface mode</th> </tr> </thead> <tbody> <tr> <td>00</td> <td>Hardware interface</td> </tr> <tr> <td>01</td> <td>Serial Microcontroller Interface</td> </tr> <tr> <td>10</td> <td>Motorola non-multiplexed</td> </tr> <tr> <td>11</td> <td>Intel non-multiplexed</td> </tr> </tbody> </table> <ul style="list-style-type: none"> <li>The serial microcontroller interface consists of <math>\overline{CS}</math>, SCLK, SCLKE, SDI, SDO and <math>\overline{INT}</math> pins. SCLKE is used for the selection of the active edge of SCLK.</li> <li>The parallel non-multiplexed microcontroller interface consists of <math>\overline{CS}</math>, A[5:0], D[7:0], <math>\overline{DS/RD}</math>, <math>\overline{R/W/WR}</math> and <math>\overline{INT}</math> pins. (Refer to 3.12 MICROCONTROLLER INTERFACES for details)</li> <li>Hardware interface consists of PULSn[3:0], THZ, RCLKE, LPn[1:0], PATn[1:0], JA[1:0], MONTn, TERMn, EQn, RPDn, MODE[1:0] and RXTXM[1:0] (n=1, 2).</li> </ul> | MODE[1:0] | Control Interface mode | 00 | Hardware interface | 01 | Serial Microcontroller Interface | 10 | Motorola non-multiplexed | 11 | Intel non-multiplexed |
| MODE[1:0]                    | Control Interface mode           |                   |                    |  |           |                        |    |                    |    |                                  |    |                          |    |                       |
| 00                           | Hardware interface               |                   |                    |  |           |                        |    |                    |    |                                  |    |                          |    |                       |
| 01                           | Serial Microcontroller Interface |                   |                    |  |           |                        |    |                    |    |                                  |    |                          |    |                       |
| 10                           | Motorola non-multiplexed         |                   |                    |  |           |                        |    |                    |    |                                  |    |                          |    |                       |
| 11                           | Intel non-multiplexed            |                   |                    |  |           |                        |    |                    |    |                                  |    |                          |    |                       |
| RCLKE                        | I                                | 11                | D4                 | <p><b>RCLKE: the active edge of RCLKn select</b><br/>In hardware control mode, this pin selects the active edge of RCLKn</p> <ul style="list-style-type: none"> <li>L= update RDPn/RDNn on the rising edge of RCLKn</li> <li>H= update RDPn/RDNn on the falling edge of RCLKn</li> </ul> <p>In software control mode, this pin should be connected to GNDIO.</p>   |           |                        |    |                    |    |                                  |    |                          |    |                       |
| RXTXM1<br>RXTXM0             | I                                | 14<br>15          | E4<br>F1           | <p><b>RXTXM[1:0]: Receive and transmit path operation mode select</b><br/>In hardware control mode, these pins are used to select the single rail or dual rail operation modes as well as AMI or HDB3/B8ZS line coding:</p> <ul style="list-style-type: none"> <li>00= single rail with HDB3/B8ZS coding</li> <li>01= single rail with AMI coding</li> <li>10= dual rail interface with CDR enabled</li> <li>11= slicer mode (dual rail interface with CDR disabled)</li> </ul> <p>In software control mode, these pins should be connected to ground.</p>   |           |                        |    |                    |    |                                  |    |                          |    |                       |
| $\overline{CS}$<br><br>LP11  | I                                | 42                | G8                 | <p><b><math>\overline{CS}</math>: Chip Select</b><br/>In serial or parallel microcontroller interface mode, this is the active low enable signal. A low level on this pin enables serial or parallel microcontroller interface.</p> <p><b>LP11/LP10: Loopback mode select for channel 1</b><br/>When the chip is configured by hardware, this pin is used to select loopback operation modes for channel 1 (Inband Loopback is not provided in hardware control mode).</p> <ul style="list-style-type: none"> <li>00 = no loopback</li> <li>01 = analog loopback</li> <li>10 = digital loopback</li> <li>11 = remote loopback</li> </ul>   |           |                        |    |                    |    |                                  |    |                          |    |                       |
| $\overline{INT}$<br><br>LP10 | O<br><br>I                       | 41                | G9                 | <p><b><math>\overline{INT}</math>: Interrupt Request</b><br/>In software control mode, this pin outputs the general interrupt request for all interrupt sources. If INTM_GLB bit (<b>GCF, 20H</b>) is set to '1', all the interrupt sources will be masked. These interrupt sources can be masked individually via registers (<b>INTM0, 13H...</b>) and (<b>INTM1, 14H...</b>). The interrupt status is reported via the registers (<b>INTCH, 21H</b>), (<b>INTS0, 18H...</b>) and (<b>INTS1, 19H...</b>).</p> <p>Output characteristics of this pin can be defined to be push-pull (active high or active low) or open-drain (active low) by setting bits INT_PIN[1:0] (<b>GCF, 20H</b>)</p> <p><b>LP11/LP10: Loopback mode select for channel 1</b><br/>See above LP11.</p>  |           |                        |    |                    |    |                                  |    |                          |    |                       |

Table-1 Pin Description (Continued)

| Name  | Type                             | TQFP80<br>Pin No. | FPBGA81<br>Pin No. | Description  |       |      |     |                                 |      |                                  |
|---|----------------------------------|-------------------|--------------------|--|-------|------|-----|---------------------------------|------|----------------------------------|
| SCLK<br><br>PATT11  | I                                | 46                | G7                 | <p><b>SCLK: Shift Clock</b><br/>In serial microcontroller interface mode, this signal is the shift clock for the serial interface. Configuration data on SDI pin is sampled on the rising edge of SCLK. Configuration and status data on SDO pin is clocked out of the device on the rising edge of SCLK if SCLKE pin is low, or on the falling edge of SCLK if SCLKE pin is high.<br/>In parallel non-multiplexed interface mode, this pin should be connected to ground.</p> <p><b>PATT11/PATT10: Transmit pattern select for channel 1</b><br/>In hardware control mode, this pin selects the transmit pattern</p> <ul style="list-style-type: none"> <li>• 00 = normal</li> <li>• 01 = All Ones</li> <li>• 10 = PRBS</li> <li>• 11 = transmitter power down</li> </ul>   |       |      |     |                                 |      |                                  |
| SCLKE<br><br>$\overline{DS}$<br><br>$\overline{RD}$<br><br>PATT10 | I                                | 45                | F8                 | <p><b>SCLKE: Serial Clock Edge Select</b><br/>In serial microcontroller interface mode, this signal selects the active edge of SCLK for outputting SDO. The output data is valid after some delay from the active clock edge. It can be sampled on the opposite edge of the clock. The active clock edge which clocks the data out of the device is selected as shown below:</p> <table border="1" style="margin-left: auto; margin-right: auto;"> <thead> <tr> <th>SCLKE</th> <th>SCLK</th> </tr> </thead> <tbody> <tr> <td>Low</td> <td>Rising edge is the active edge.</td> </tr> <tr> <td>High</td> <td>Falling edge is the active edge.</td> </tr> </tbody> </table> <p><b><math>\overline{DS}</math>: Data Strobe</b><br/>In Motorola parallel non-multiplexed interface mode, this signal is the data strobe of the parallel interface. In a write operation (<math>R/\overline{W} = 0</math>), the data on D[7:0] is sampled into the device. In a read operation (<math>R/\overline{W} = 1</math>), the data is driven to D[7:0] by the device.</p> <p><b><math>\overline{RD}</math>: Read Strobe</b><br/>In Intel parallel non-Multiplexed interface mode, the data is driven to D[7:0] by the device during low level of <math>\overline{RD}</math> in a read operation.</p> <p><b>PATT11/PATT10: Transmit pattern select for channel 1</b><br/>See above PATT11.</p> | SCLKE | SCLK | Low | Rising edge is the active edge. | High | Falling edge is the active edge. |
| SCLKE   | SCLK                             |                   |                    |  |       |      |     |                                 |      |                                  |
| Low   | Rising edge is the active edge.  |                   |                    |  |       |      |     |                                 |      |                                  |
| High  | Falling edge is the active edge. |                   |                    |  |       |      |     |                                 |      |                                  |
| SDI<br><br>$R/\overline{W}$<br><br>$\overline{WR}$<br><br>LP21    | I                                | 44                | H8                 | <p><b>SDI: Serial Data Input</b><br/>In serial microcontroller interface mode, this signal is the input data to the serial interface. Configuration data at SDI pin is sampled by the device on the rising edge of SCLK.</p> <p><b><math>R/\overline{W}</math>: Read/Write Select</b><br/>In Motorola parallel non-multiplexed interface mode, this pin is low for write operation and high for read operation.</p> <p><b><math>\overline{WR}</math>: Write Strobe</b><br/>In Intel parallel non-multiplexed interface mode, this pin is asserted low by the microcontroller to initiate a write cycle. The data on D[7:0] is sampled into the device in a write operation.</p> <p><b>LP21/LP20: loopback mode select for channel 2</b><br/>When the chip is configured by hardware, this pin is used to select loopback operation modes for channel 2 (Inband Loopback is not provided in hardware control mode).</p> <ul style="list-style-type: none"> <li>• 00 = no loopback</li> <li>• 01 = analog loopback</li> <li>• 10 = digital loopback</li> <li>• 11 = remote loopback</li> </ul>   |       |      |     |                                 |      |                                  |

Table-1 Pin Description (Continued)

| Name   | Type | TQFP80<br>Pin No. | FPBGA81<br>Pin No. | Description  |
|--------|------|-------------------|--------------------|--|
| SDO    | O    | 43                | F9                 | <b>SDO: Serial Data Output</b><br>In serial microcontroller interface mode, this signal is the output data of the serial interface. Configuration or Status data at SDO pin is clocked out of the device on the rising edge of SCLK if SCLKE pin is low, or on the falling edge of SCLK if SCLKE pin is high.<br>In parallel non-multiplexed interface mode, this pin should be left open.   |
| LP20   | I    |                   |                    | <b>LP21/LP20: loopback mode select for channel 2</b><br>See above LP21.  |
| D7     | I/O  | 54                | D8                 | <b>D7: Data Bus bit7</b><br>In Intel/Motorola non-multiplexed interface mode, this signal is the bi-directional data bus of the microcontroller interface.<br>In serial microcontroller interface mode, this pin should be connected to ground through a 10 k $\Omega$ resistor.   |
| PULS13 | I    |                   |                    | <b>PULS1[3:0]: these pins are used to select the following functions for channel 1 in hardware control mode:</b> <ul style="list-style-type: none"> <li>• T1/E1/J1 mode</li> <li>• Transmit pulse template</li> <li>• Internal termination impedance (75<math>\Omega</math>/120<math>\Omega</math>/100<math>\Omega</math>/110<math>\Omega</math>)</li> </ul> Refer to <a href="#">5 HARDWARE CONTROL PIN SUMMARY</a> for details.<br>Note that PULS13 to PULS10 determine the T1/E1/J1 mode of common block. |
| D6     | I/O  | 53                | F5                 | <b>D6: Data Bus bit6</b><br>In Intel/Motorola non-multiplexed interface mode, this signal is the bi-directional data bus of the microcontroller interface.<br>In serial microcontroller interface mode, this pin should be connected to ground through a 10 k $\Omega$ resistor.   |
| PULS12 | I    |                   |                    | See above.   |
| D5     | I/O  | 52                | E7                 | <b>D5: Data Bus bit5</b><br>In Intel/Motorola non-multiplexed interface mode, this signal is the bi-directional data bus of the microcontroller interface.<br>In serial microcontroller interface mode, this pin should be connected to ground through a 10 k $\Omega$ resistor.   |
| PULS11 | I    |                   |                    | See above.   |
| D4     | I/O  | 51                | D9                 | <b>D4: Data Bus bit4</b><br>In Intel/Motorola non-multiplexed interface mode, this signal is the bi-directional data bus of the microcontroller interface.<br>In serial microcontroller interface mode, this pin should be connected to ground through a 10 k $\Omega$ resistor.   |
| PULS10 | I    |                   |                    | See above.   |
| D3     | I/O  | 50                | E8                 | <b>D3: Data Bus bit3</b><br>In Intel/Motorola non-multiplexed interface mode, this signal is the bi-directional data bus of the microcontroller interface.<br>In serial microcontroller interface mode, this pin should be connected to ground through a 10 k $\Omega$ resistor.   |
| PULS23 | I    |                   |                    | <b>PULS2[3:0]: these pins are used to select the following functions for channel 2 in hardware control mode:</b> <ul style="list-style-type: none"> <li>• T1/E1/J1 mode</li> <li>• Transmit pulse template</li> <li>• Internal termination impedance (75 <math>\Omega</math>/120 <math>\Omega</math>/100 <math>\Omega</math>/110 <math>\Omega</math>)</li> </ul> Refer to <a href="#">5 HARDWARE CONTROL PIN SUMMARY</a> for details.  |
| D2     | I/O  | 49                | E9                 | <b>D2: Data Bus bit2</b><br>In Intel/Motorola non-multiplexed interface mode, this signal is the bi-directional data bus of the microcontroller interface.<br>In serial microcontroller interface mode, this pin should be connected to ground through a 10 k $\Omega$ resistor.   |
| PULS22 | I    |                   |                    | See above.   |
| D1     | I/O  | 48                | F6                 | <b>D1: Data Bus bit1</b><br>In Intel/Motorola non-multiplexed interface mode, this signal is the bi-directional data bus of the microcontroller interface.<br>In serial microcontroller interface mode, this pin should be connected to ground through a 10 k $\Omega$ resistor.   |
| PULS21 | I    |                   |                    | See above.   |

Table-1 Pin Description (Continued)

| Name   | Type | TQFP80<br>Pin No. | FPBGA81<br>Pin No. | Description  |
|--------|------|-------------------|--------------------|--|
| D0     | I/O  | 47                | F7                 | <b>D0: Data Bus bit0</b><br>In Intel/Motorola non-multiplexed interface mode, this signal is the bi-directional data bus of the microcontroller interface.<br>In serial microcontroller interface mode, this pin should be connected to ground through a 10 kΩ resistor. |
| PULS20 | I    |                   |                    | See above.   |
| A5     | I    | 60                | A9                 | <b>A5: Address Bus bit5</b><br>In Intel/Motorola non-multiplexed interface mode, this signal is the address bus of the microcontroller interface.<br>In serial microcontroller interface mode, this pin should be connected to ground.                                   |
| EQ2    |      |                   |                    | <b>EQ2: Equalizer on/off for receiver2 in hardware control mode</b><br>0= short haul (10 dB)<br>1= long haul (36 dB for T1/J1, 43 dB for E1)   |
| A4     | I    | 59                | B9                 | <b>A4: Address Bus bit4</b><br>In Intel/Motorola non-multiplexed interface mode, this signal is the address bus of the microcontroller interface.<br>In serial microcontroller interface mode, this pin should be connected to ground.                                   |
| RPD2   |      |                   |                    | <b>RPD2: Power down control for receiver2 in hardware control mode</b><br>0= receiver 2 normal operation<br>1= receiver 2 power down   |
| A3     | I    | 58                | C8                 | <b>A3: Address Bus bit3</b><br>In Intel/Motorola non-multiplexed interface mode, this signal is the address bus of the microcontroller interface.<br>In serial microcontroller interface mode, this pin should be connected to ground.                                   |
| EQ1    |      |                   |                    | <b>EQ1: Equalizer on/off for receiver1 in hardware control mode</b><br>0= short haul (10 dB)<br>1= long haul (36 dB for T1/J1, 43 dB for E1)   |
| A2     | I    | 57                | D7                 | <b>A2: Address Bus bit2</b><br>In Intel/Motorola non-multiplexed interface mode, this signal is the address bus of the microcontroller interface.<br>In serial microcontroller interface mode, this pin should be connected to ground.                                   |
| RPD1   |      |                   |                    | <b>RPD1: Power down control for receiver1 in hardware control mode</b><br>0= receiver 1 normal operation<br>1= receiver 1 power down   |
| A1     | I    | 56                | E6                 | <b>A1: Address Bus bit1</b><br>In Intel/Motorola non-multiplexed interface mode, this signal is the address bus of the microcontroller interface.<br>In serial microcontroller interface mode, this pin should be connected to ground.                                   |
| PATT21 |      |                   |                    | <b>PATT21/PATT20: Transmit pattern select for channel 2</b><br>In hardware control mode, this pin selects the transmit pattern<br>00 = normal<br>01= All Ones<br>10= PRBS<br>11= transmitter power down  |
| A0     | I    | 55                | C9                 | <b>A0: Address Bus bit 0</b><br>In Intel/Motorola non-multiplexed interface mode, this signal is the address bus of the microcontroller interface.<br>In serial microcontroller interface mode, this pin should be connected to ground.                                  |
| PATT20 |      |                   |                    | See above  |



Table-1 Pin Description (Continued)

| Name                     | Type        | TQFP80<br>Pin No. | FPBGA81<br>Pin No. | Description  |
|--------------------------|-------------|-------------------|--------------------|--|
| TERM1<br>TERM2           | I           | 13<br>12          | E3<br>E1           | <b>TERMn: Selects internal or external impedance matching for channel 1 and channel 2 in hardware control mode</b><br>0 = ternary interface with internal impedance matching network<br>1 = ternary interface with external impedance matching network in E1 mode; ternary interface with external impedance matching network for receiver and ternary interface with internal impedance matching network for transmitter in T1/J1 mode.<br>(This applies to ZB die revision only.)<br>In software control mode, this pin should be connected to ground. |
| JA1                      | I           | 16                | F2                 | <b>JA[1:0]: Jitter attenuation position, bandwidth and the depth of FIFO select for channel 1 and channel 2 (only used in hardware control mode)</b><br>• 00 = JA is disabled<br>• 01 = JA in receiver, broad bandwidth, FIFO=64 bits<br>• 10 = JA in receiver, narrow bandwidth, FIFO=128 bits<br>• 11 = JA in transmitter, narrow bandwidth, FIFO=128 bits<br>In software control mode, this pin should be connected to ground.  |
| JA0                      | I           | 17                | F3                 | See above.   |
| MONT2                    | I           | 18                | G2                 | <b>MONT2: Receive Monitor gain select for channel 2</b><br>In hardware control mode with ternary interface, this pin selects the receive monitor gain of receiver:<br>0= 0dB<br>1= 26dB<br>In software control mode, this pin should be connected to ground.   |
| MONT1                    | I           | 19                | G1                 | <b>MONT1: Receive Monitor gain select for channel 1</b><br>In hardware control mode with ternary interface, this pin selects the receive monitor gain of receiver:<br>0= 0dB<br>1= 26dB<br>In software control mode, this pin should be connected to ground.   |
| $\overline{\text{RST}}$  | I           | 21                | J2                 | <b><math>\overline{\text{RST}}</math>: Hardware Reset</b><br>The chip is forced to reset state if a low signal is input on this pin for more than 100ns. MCLK must be active during reset.   |
| THZ                      | I           | 20                | H1                 | <b>THZ: Transmitter Driver High Impedance Enable</b><br>This signal enables or disables all transmitter drivers on a global basis. A low level on this pin enables the driver while a high level on this pin places all drivers in high impedance state. Note that the functionality of the internal circuits is not affected by this signal.  |
| <b>JTAG Signals</b>      |             |                   |                    |  |
| $\overline{\text{TRST}}$ | I<br>Pullup | 1                 | A1                 | <b><math>\overline{\text{TRST}}</math>: JTAG Test Port Reset</b><br>This is the active low asynchronous reset to the JTAG Test Port. This pin has an internal pull-up resistor. To ensure deterministic operation of the test logic, TMS should be held high while the signal applied to $\overline{\text{TRST}}$ changes from low to high. For normal signal processing, this pin should be connected to ground.<br>If JTAG is not used, this pin must be connected to ground.  |
| TMS                      | I<br>Pullup | 2                 | B1                 | <b>TMS: JTAG Test Mode Select</b><br>This pin is used to control the test logic state machine and is sampled on the rising edge of TCK. TMS has an internal pull-up resistor.<br>If JTAG is not used, this pin may be left unconnected.  |
| TCK                      | I           | 3                 | B2                 | <b>TCK: JTAG Test Clock</b><br>This is the input clock for JTAG. The data on TDI and TMS are clocked into the device on the rising edge of TCK while the data on TDO is clocked out of the device on the falling edge of TCK. When TCK is idle at low state, all the stored-state devices contained in the test logic will retain their state indefinitely.<br>If JTAG is not used, this pin may be left unconnected.  |
| TDO                      | O           | 4                 | C2                 | <b>TDO: JTAG Test Data Output</b><br>This output pin is high impedance normally and is used for reading all the serial configuration and test data from the test logic. The data on TDO is clocked out of the device on the falling edge of TCK.<br>If JTAG is not used, this pin should be left unconnected.  |

Table-1 Pin Description (Continued)

| Name                              | Type        | TQFP80<br>Pin No. | FPBGA81<br>Pin No. | Description  |
|-----------------------------------|-------------|-------------------|--------------------|--|
| TDI                               | I<br>Pullup | 5                 | C3                 | <b>TDI: JTAG Test Data Input</b><br>This pin is used for loading instructions and data into the test logic and has an internal pull-up resistor. The data on TDI is clocked into the device on the rising edge of TCK.<br>If JTAG is not used, this pin may be left unconnected. |
| <b>Power Supplies and Grounds</b> |             |                   |                    |  |
| VDDIO                             | -           | 7,40              | C1, H9             | 3.3 V I/O power supply   |
| GNDIO                             | -           | 8,39              | D1, J8, J9         | I/O ground   |
| VDDT1<br>VDDT2                    | -           | 61<br>80          | B8<br>B3           | 3.3 V power supply for transmitter driver  |
| GNDT1<br>GNDT2                    | -           | 64<br>77          | B7<br>A4           | Analog ground for transmitter driver   |
| VDDR1<br>VDDR2                    | -           | 68<br>73          | B6<br>C5           | Power supply for receive analog circuit  |
| GNDR1<br>GNDR2                    | -           | 65<br>76          | C7<br>B4           | Analog ground for receive analog circuit   |
| VDDD                              | -           | 31                | H5                 | 3.3V digital core power supply   |
| GNDD                              | -           | 29                | H4                 | Digital core ground  |
| VDDA                              | -           | 69                | C6                 | Analog core circuit power supply   |
| GNDA                              | -           | 72                | B5                 | Analog core circuit ground   |
| <b>Others</b>                     |             |                   |                    |  |
| IC                                | -           | 70                | A6                 | <b>IC: Internal Connection</b><br>Internal Use. This pin should be left open in normal operation.  |
| IC                                | -           | 6                 | D2                 | <b>IC: Internal Connection</b><br>Internal Use. This pin should be connected to ground in normal operation.  |

## 3 FUNCTIONAL DESCRIPTION

### 3.1 CONTROL MODE SELECTION

The IDT82V2082 can be configured by software or by hardware. The software control mode supports Serial Control Interface, Motorola non-Multiplexed Control Interface and Intel non-Multiplexed Control Interface. The Control mode is selected by MODE1 and MODE0 pins as follows:

|    | Control Interface Mode                        |
|----|---|
| 00 | Hardware interface                            |
| 01 | Serial Microcontroller Interface.             |
| 10 | Parallel -non-Multiplexed -Motorola Interface |
| 11 | Parallel -non-Multiplexed -Intel Interface    |

- The serial microcontroller Interface consists of  $\overline{CS}$ , SCLK, SCLKE, SDI, SDO and  $\overline{INT}$  pins. SCLKE is used for the selection of active edge of SCLK.
- The parallel non-Multiplexed microcontroller Interface consists of  $\overline{CS}$ , A[5:0], D[7:0],  $\overline{DS/RD}$ , R/W/ $\overline{WR}$  and  $\overline{INT}$  pins.
- Hardware interface consists of PULSn[3:0], THZ, RCLKE, LPn[1:0], PATtn[1:0], JA[1:0], MONTn, TERMn, EQn, RPDn, MODE[1:0] and RXTXM[1:0] (n=1, 2). Refer to [5 HARDWARE CONTROL PIN SUMMARY](#) for details about hardware control.

### 3.2 T1/E1/J1 MODE SELECTION

When the chip is configured by software, T1/E1/J1 mode is selected by the T1E1 bit (**GCF, 20H**). In E1 application, the T1E1 bit (**GCF, 20H**) should be set to '0'. In T1/J1 application, the T1E1 bit should be set to '1'.

When the chip is configured by hardware, T1/E1/J1 mode is selected by PULSn[3:0] pins on a per channel basis. These pins also determine transmit pulse template and internal termination impedance. Refer to [5 HARDWARE CONTROL PIN SUMMARY](#) for details.

### 3.3 TRANSMIT PATH

The transmit path of each channel of IDT82V2082 consists of an Encoder, an optional Jitter Attenuator, a Waveform Shaper, a set of LBOs, a Line Driver and a Programmable Transmit Termination.

#### 3.3.1 TRANSMIT PATH SYSTEM INTERFACE

The transmit path system interface consists of TCLKn pin, TDn/TDPn pin and TDNn pin. In E1 mode, TCLKn is a 2.048 MHz clock. In T1/J1 mode, TCLKn is a 1.544 MHz clock. If TCLKn is missing for more than 70 MCLK cycles, an interrupt will be generated if it is not masked.

Transmit data is sampled on the TDn/TDPn and TDNn pins by the active edge of TCLKn. The active edge of TCLKn can be selected by the TCLK\_SEL bit (**TCF0, 04H...**). And the active level of the data on TDn/TDPn and TDNn can be selected by the TD\_INV bit (**TCF0, 04H...**). In hardware

control mode, the falling edge of TCLKn and the active high of transmit data are always used.

The transmit data from the system side can be provided in two different ways: Single Rail and Dual Rail. In Single Rail mode, only TDn pin is used for transmitting data and the T\_MD[1] bit (**TCF0, 04H...**) should be set to '0'. In Dual Rail Mode, both TDPn pin and TDNn pin are used for transmitting data, the T\_MD[1] bit (**TCF0, 04H...**) should be set to '1'.

#### 3.3.2 ENCODER

In Single Rail mode, when T1/J1 mode is selected, the Encoder can be selected to be a B8ZS encoder or an AMI encoder by setting T\_MD[0] bit (**TCF0, 04H...**).

In Single Rail mode, when E1 mode is selected, the Encoder can be configured to be a HDB3 encoder or an AMI encoder by setting T\_MD[0] bit (**TCF0, 04H...**).

In both T1/J1 mode and E1 mode, when Dual Rail mode is selected (bit T\_MD[1] is '1'), the Encoder is by-passed. In Dual Rail mode, a logic '1' on the TDPn pin and a logic '0' on the TDNn pin results in a negative pulse on the TTIPn/TRINGn; a logic '0' on TDPn pin and a logic '1' on TDNn pin results in a positive pulse on the TTIPn/TRINGn. If both TDPn and TDNn are high or low, the TTIPn/TRINGn outputs a space (Refer to [TDn/TDPn, TDNn Pin Description](#)).

In hardware control mode, the operation mode of receive and transmit path can be selected by setting RXTXM1 and RXTXM0 pins on a global basis. Refer to [5 HARDWARE CONTROL PIN SUMMARY](#) for details.

#### 3.3.3 PULSE SHAPER

The IDT82V2082 provides three ways of manipulating the pulse shape before sending it. The first is to use preset pulse templates for short haul application, the second is to use LBO (Line Build Out) for long haul application and the other way is to use user-programmable arbitrary waveform template.

In software control mode, the pulse shape can be selected by setting the related registers.

In hardware control mode, the pulse shape can be selected by setting PULSn[3:0] pins on a per channel basis. Refer to [5 HARDWARE CONTROL PIN SUMMARY](#) for details.

##### 3.3.3.1 Preset Pulse Templates

For E1 applications, the pulse shape is shown in [Figure-4](#) according to the G.703 and the measuring diagram is shown in [Figure-5](#). In internal impedance matching mode, if the cable impedance is 75  $\Omega$ , the PULS[3:0] bits (**TCF1, 05H...**) should be set to '0000'; if the cable impedance is 120  $\Omega$ , the PULS[3:0] bits (**TCF1, 05H...**) should be set to '0001'. In external impedance matching mode, for both E1/75  $\Omega$  and E1/120  $\Omega$  cable impedance, PULS[3:0] should be set to '0001'.

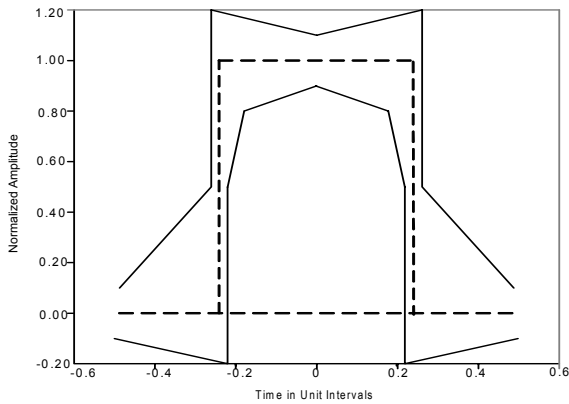


Figure-4 E1 Waveform Template Diagram

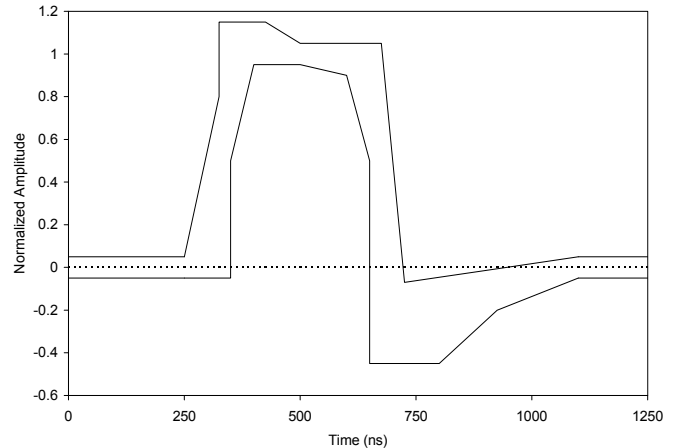


Figure-6 DSX-1 Waveform Template

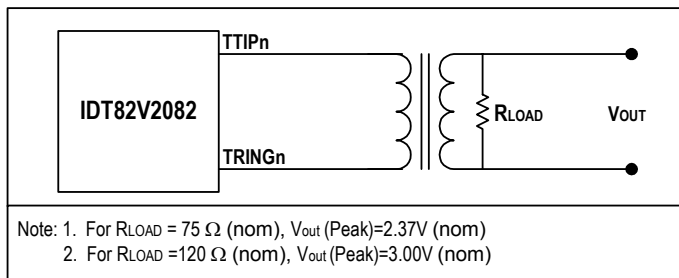


Figure-5 E1 Pulse Template Test Circuit

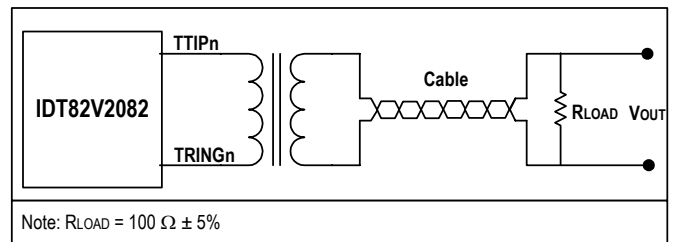


Figure-7 T1 Pulse Template Test Circuit

For T1 applications, the pulse shape is shown in Figure-6 according to the T1.102 and the measuring diagram is shown in Figure-7. This also meets the requirement of G.703, 2001. The cable length is divided into five grades, and there are five pulse templates used for each of the cable length. The pulse template is selected by PULS[3:0] bits (TCF1, 05H...).

For J1 applications, the PULS[3:0] (TCF1, 05H...) should be set to '0111'. Table-14 lists these values.

### 3.3.3.2 LBO (Line Build Out)

To prevent the cross-talk at the far end, the output of TTIPn/TRINGn could be attenuated before transmission for long haul applications. The FCC Part 68 Regulations specifies four grades of attenuation with a step of 7.5 dB. Three LBOs are used to implement the pulse attenuation. The PULS[3:0] bits (TCF1, 05H...) are used to select the attenuation grade. Both Table-14 and Table-15 list these values.

### 3.3.3.3 User-Programmable Arbitrary Waveform

When the PULS[3:0] bits are set to '11xx', user-programmable arbitrary waveform generator mode can be used in the corresponding channel. This allows the transmitter performance to be tuned for a wide variety of line condition or special application.

Each pulse shape can extend up to 4 UIs (Unit Interval), addressed by UI[1:0] bits (**TCF3, 07H...**) and each UI is divided into 16 sub-phases, addressed by the SAMP[3:0] bits (**TCF3, 07H...**). The pulse amplitude of each phase is represented by a binary byte, within the range from +63 to -63, stored in WDAT[6:0] bits (**TCF4, 08H...**) in signed magnitude form. The most positive number +63 (D) represents the maximum positive amplitude of the transmit pulse while the most negative number -63 (D) represents the maximum negative amplitude of the transmit pulse. Therefore, up to 64 bytes are used. For each channel, a 64 bytes RAM is available.

There are twelve standard templates which are stored in an on-chip ROM. User can select one of them as reference and make some changes to get the desired waveform.

User can change the wave shape and the amplitude to get the desired pulse shape. In order to do this, firstly, users can choose a set of waveform value from the following twelve tables, which is the most similar to the desired pulse shape. [Table-2](#), [Table-3](#), [Table-4](#), [Table-5](#), [Table-6](#), [Table-7](#), [Table-8](#), [Table-9](#), [Table-10](#), [Table-11](#), [Table-12](#) and [Table-13](#) list the sample data and scaling data of each of the twelve templates. Then modify the corresponding sample data to get the desired transmit pulse shape.

Secondly, through the value of SCAL[5:0] bits increased or decreased by 1, the pulse amplitude can be scaled up or down at the percentage ratio

against the standard pulse amplitude if needed. For different pulse shapes, the value of SCAL[5:0] bits and the scaling percentage ratio are different. The following twelve tables list these values.

Do the followings step by step, the desired waveform can be programmed, based on the selected waveform template:

- (1). Select the UI by UI[1:0] bits (**TCF3, 07H...**)
- (2). Specify the sample address in the selected UI by SAMP [3:0] bits (**TCF3, 07H...**)
- (3). Write sample data to WDAT[6:0] bits (**TCF4, 08H...**). It contains the data to be stored in the RAM, addressed by the selected UI and the corresponding sample address.
- (4). Set the RW bit (**TCF3, 07H...**) to '0' to implement writing data to RAM, or to '1' to implement read data from RAM
- (5). Implement the Read from RAM/Write to RAM by setting the DONE bit (**TCF3, 07H...**)

Repeat the above steps until all the sample data are written to or read from the internal RAM.

- (6). Write the scaling data to SCAL[5:0] bits (**TCF2, 06H...**) to scale the amplitude of the waveform based on the selected standard pulse amplitude

When more than one UI is used to compose the pulse template, the overlap of two consecutive pulses could make the pulse amplitude overflow (exceed the maximum limitation) if the pulse amplitude is not set properly. This overflow is captured by DAC\_OV\_IS bit (**INTS1, 19H...**), and, if enabled by the DAC\_OV\_IM bit (**INTM1, 14H...**), an interrupt will be generated.

The following tables give all the sample data based on the preset pulse templates and LBOs in detail for reference. For preset pulse templates and LBOs, scaling up/down against the pulse amplitude is not supported.

1. [Table-2](#) Transmit Waveform Value for E1 75 Ω
2. [Table-3](#) Transmit Waveform Value for E1 120 Ω
3. [Table-4](#) Transmit Waveform Value for T1 0~133 ft
4. [Table-5](#) Transmit Waveform Value for T1 133~266 ft
5. [Table-6](#) Transmit Waveform Value for T1 266~399 ft
6. [Table-7](#) Transmit Waveform Value for T1 399~533 ft
7. [Table-8](#) Transmit Waveform Value for T1 533~655 ft
8. [Table-9](#) Transmit Waveform Value for J1 0~655 ft
9. [Table-10](#) Transmit Waveform Value For DS1 0 dB LBO
10. [Table-11](#) Transmit Waveform Value For DS1 -7.5 dB LBO
11. [Table-12](#) Transmit Waveform Value For DS1 -15.0 dB LBO
12. [Table-13](#) Transmit Waveform Value For DS1 -22.5 dB LBO

**Table-2 Transmit Waveform Value For E1 75 Ohm**

| Sample | UI 1    | UI 2    | UI 3    | UI 4    |
|--------|---------|---------|---------|---------|
| 1      | 0000000 | 0000000 | 0000000 | 0000000 |
| 2      | 0000000 | 0000000 | 0000000 | 0000000 |
| 3      | 0000000 | 0000000 | 0000000 | 0000000 |
| 4      | 0001100 | 0000000 | 0000000 | 0000000 |
| 5      | 0110000 | 0000000 | 0000000 | 0000000 |
| 6      | 0110000 | 0000000 | 0000000 | 0000000 |
| 7      | 0110000 | 0000000 | 0000000 | 0000000 |
| 8      | 0110000 | 0000000 | 0000000 | 0000000 |
| 9      | 0110000 | 0000000 | 0000000 | 0000000 |
| 10     | 0110000 | 0000000 | 0000000 | 0000000 |
| 11     | 0110000 | 0000000 | 0000000 | 0000000 |
| 12     | 0110000 | 0000000 | 0000000 | 0000000 |
| 13     | 0000000 | 0000000 | 0000000 | 0000000 |
| 14     | 0000000 | 0000000 | 0000000 | 0000000 |
| 15     | 0000000 | 0000000 | 0000000 | 0000000 |
| 16     | 0000000 | 0000000 | 0000000 | 0000000 |

SCAL[5:0] = 100001 (default), One step change of this value of SCAL[5:0] results in 3% scaling up/down against the pulse amplitude.

**Table-3 Transmit Waveform Value For E1 120 Ohm**

| Sample | UI 1    | UI 2    | UI 3    | UI 4    |
|--------|---------|---------|---------|---------|
| 1      | 0000000 | 0000000 | 0000000 | 0000000 |
| 2      | 0000000 | 0000000 | 0000000 | 0000000 |
| 3      | 0000000 | 0000000 | 0000000 | 0000000 |
| 4      | 0001111 | 0000000 | 0000000 | 0000000 |
| 5      | 0111100 | 0000000 | 0000000 | 0000000 |
| 6      | 0111100 | 0000000 | 0000000 | 0000000 |
| 7      | 0111100 | 0000000 | 0000000 | 0000000 |
| 8      | 0111100 | 0000000 | 0000000 | 0000000 |
| 9      | 0111100 | 0000000 | 0000000 | 0000000 |
| 10     | 0111100 | 0000000 | 0000000 | 0000000 |
| 11     | 0111100 | 0000000 | 0000000 | 0000000 |
| 12     | 0111100 | 0000000 | 0000000 | 0000000 |
| 13     | 0000000 | 0000000 | 0000000 | 0000000 |
| 14     | 0000000 | 0000000 | 0000000 | 0000000 |
| 15     | 0000000 | 0000000 | 0000000 | 0000000 |
| 16     | 0000000 | 0000000 | 0000000 | 0000000 |

SCAL[5:0] = 100001 (default), One step change of this value of SCAL[5:0] results in 3% scaling up/down against the pulse amplitude.

**Table-4 Transmit Waveform Value For T1 0~133 ft**

| Sample | UI 1    | UI 2    | UI 3    | UI 4    |
|--------|---------|---------|---------|---------|
| 1      | 0010111 | 1000010 | 0000000 | 0000000 |
| 2      | 0100111 | 1000001 | 0000000 | 0000000 |
| 3      | 0100111 | 0000000 | 0000000 | 0000000 |
| 4      | 0100110 | 0000000 | 0000000 | 0000000 |
| 5      | 0100101 | 0000000 | 0000000 | 0000000 |
| 6      | 0100101 | 0000000 | 0000000 | 0000000 |
| 7      | 0100101 | 0000000 | 0000000 | 0000000 |
| 8      | 0100100 | 0000000 | 0000000 | 0000000 |
| 9      | 0100011 | 0000000 | 0000000 | 0000000 |
| 10     | 1001010 | 0000000 | 0000000 | 0000000 |
| 11     | 1001010 | 0000000 | 0000000 | 0000000 |
| 12     | 1001001 | 0000000 | 0000000 | 0000000 |
| 13     | 1000111 | 0000000 | 0000000 | 0000000 |
| 14     | 1000101 | 0000000 | 0000000 | 0000000 |
| 15     | 1000100 | 0000000 | 0000000 | 0000000 |
| 16     | 1000011 | 0000000 | 0000000 | 0000000 |

SCAL[5:0] = 110110<sup>1</sup> (default), One step change of this value of SCAL[5:0] results in 2% scaling up/down against the pulse amplitude.

1. In T1 mode, when arbitrary pulse for short haul application is configured, users should write '110110' to SCAL[5:0] bits if no scaling is required.

Table-5 Transmit Waveform Value For T1 133~266 ft

| Sample      | UI 1    | UI 2    | UI 3    | UI 4    |
|-------------|---------|---------|---------|---------|
| 1           | 0011011 | 1000011 | 0000000 | 0000000 |
| 2           | 0101110 | 1000010 | 0000000 | 0000000 |
| 3           | 0101100 | 1000001 | 0000000 | 0000000 |
| 4           | 0101010 | 0000000 | 0000000 | 0000000 |
| 5           | 0101001 | 0000000 | 0000000 | 0000000 |
| 6           | 0101000 | 0000000 | 0000000 | 0000000 |
| 7           | 0100111 | 0000000 | 0000000 | 0000000 |
| 8           | 0100110 | 0000000 | 0000000 | 0000000 |
| 9           | 0100101 | 0000000 | 0000000 | 0000000 |
| 10          | 1010000 | 0000000 | 0000000 | 0000000 |
| 11          | 1001111 | 0000000 | 0000000 | 0000000 |
| 12          | 1001101 | 0000000 | 0000000 | 0000000 |
| 13          | 1001010 | 0000000 | 0000000 | 0000000 |
| 14          | 1001000 | 0000000 | 0000000 | 0000000 |
| 15          | 1000110 | 0000000 | 0000000 | 0000000 |
| 16          | 1000100 | 0000000 | 0000000 | 0000000 |
| See Table-4 |         |         |         |         |

Table-7 Transmit Waveform Value For T1 399~533 ft

| Sample      | UI 1    | UI 2    | UI 3    | UI 4    |
|-------------|---------|---------|---------|---------|
| 1           | 0100000 | 1000011 | 0000000 | 0000000 |
| 2           | 0111011 | 1000010 | 0000000 | 0000000 |
| 3           | 0110101 | 1000001 | 0000000 | 0000000 |
| 4           | 0101111 | 0000000 | 0000000 | 0000000 |
| 5           | 0101110 | 0000000 | 0000000 | 0000000 |
| 6           | 0101101 | 0000000 | 0000000 | 0000000 |
| 7           | 0101100 | 0000000 | 0000000 | 0000000 |
| 8           | 0101010 | 0000000 | 0000000 | 0000000 |
| 9           | 0101000 | 0000000 | 0000000 | 0000000 |
| 10          | 1011000 | 0000000 | 0000000 | 0000000 |
| 11          | 1011000 | 0000000 | 0000000 | 0000000 |
| 12          | 1010011 | 0000000 | 0000000 | 0000000 |
| 13          | 1001100 | 0000000 | 0000000 | 0000000 |
| 14          | 1001000 | 0000000 | 0000000 | 0000000 |
| 15          | 1000110 | 0000000 | 0000000 | 0000000 |
| 16          | 1000100 | 0000000 | 0000000 | 0000000 |
| See Table-4 |         |         |         |         |

Table-6 Transmit Waveform Value For T1 266~399 ft

| Sample      | UI 1    | UI 2    | UI 3    | UI 4    |
|-------------|---------|---------|---------|---------|
| 1           | 0011111 | 1000011 | 0000000 | 0000000 |
| 2           | 0110100 | 1000010 | 0000000 | 0000000 |
| 3           | 0101111 | 1000001 | 0000000 | 0000000 |
| 4           | 0101100 | 0000000 | 0000000 | 0000000 |
| 5           | 0101011 | 0000000 | 0000000 | 0000000 |
| 6           | 0101010 | 0000000 | 0000000 | 0000000 |
| 7           | 0101001 | 0000000 | 0000000 | 0000000 |
| 8           | 0101000 | 0000000 | 0000000 | 0000000 |
| 9           | 0100101 | 0000000 | 0000000 | 0000000 |
| 10          | 1010111 | 0000000 | 0000000 | 0000000 |
| 11          | 1010011 | 0000000 | 0000000 | 0000000 |
| 12          | 1010000 | 0000000 | 0000000 | 0000000 |
| 13          | 1001011 | 0000000 | 0000000 | 0000000 |
| 14          | 1001000 | 0000000 | 0000000 | 0000000 |
| 15          | 1000110 | 0000000 | 0000000 | 0000000 |
| 16          | 1000100 | 0000000 | 0000000 | 0000000 |
| See Table-4 |         |         |         |         |

Table-8 Transmit Waveform Value For T1 533~655 ft

| Sample      | UI 1    | UI 2    | UI 3    | UI 4    |
|-------------|---------|---------|---------|---------|
| 1           | 0100000 | 1000011 | 0000000 | 0000000 |
| 2           | 0111111 | 1000010 | 0000000 | 0000000 |
| 3           | 0111000 | 1000001 | 0000000 | 0000000 |
| 4           | 0110011 | 0000000 | 0000000 | 0000000 |
| 5           | 0101111 | 0000000 | 0000000 | 0000000 |
| 6           | 0101110 | 0000000 | 0000000 | 0000000 |
| 7           | 0101101 | 0000000 | 0000000 | 0000000 |
| 8           | 0101100 | 0000000 | 0000000 | 0000000 |
| 9           | 0101001 | 0000000 | 0000000 | 0000000 |
| 10          | 1011111 | 0000000 | 0000000 | 0000000 |
| 11          | 1011110 | 0000000 | 0000000 | 0000000 |
| 12          | 1010111 | 0000000 | 0000000 | 0000000 |
| 13          | 1001111 | 0000000 | 0000000 | 0000000 |
| 14          | 1001001 | 0000000 | 0000000 | 0000000 |
| 15          | 1000111 | 0000000 | 0000000 | 0000000 |
| 16          | 1000100 | 0000000 | 0000000 | 0000000 |
| See Table-4 |         |         |         |         |

Table-9 Transmit Waveform Value For J1 0~655 ft

| Sample | UI 1    | UI 2    | UI 3    | UI 4    |
|--------|---------|---------|---------|---------|
| 1      | 0010111 | 1000010 | 0000000 | 0000000 |
| 2      | 0100111 | 1000001 | 0000000 | 0000000 |
| 3      | 0100111 | 0000000 | 0000000 | 0000000 |
| 4      | 0100110 | 0000000 | 0000000 | 0000000 |
| 5      | 0100101 | 0000000 | 0000000 | 0000000 |
| 6      | 0100101 | 0000000 | 0000000 | 0000000 |
| 7      | 0100101 | 0000000 | 0000000 | 0000000 |
| 8      | 0100100 | 0000000 | 0000000 | 0000000 |
| 9      | 0100011 | 0000000 | 0000000 | 0000000 |
| 10     | 1001010 | 0000000 | 0000000 | 0000000 |
| 11     | 1001010 | 0000000 | 0000000 | 0000000 |
| 12     | 1001001 | 0000000 | 0000000 | 0000000 |
| 13     | 1000111 | 0000000 | 0000000 | 0000000 |
| 14     | 1000101 | 0000000 | 0000000 | 0000000 |
| 15     | 1000100 | 0000000 | 0000000 | 0000000 |
| 16     | 1000011 | 0000000 | 0000000 | 0000000 |

SCAL[5:0] = 110110 (default), One step change of this value of SCAL[5:0] results in 2% scaling up/down against the pulse amplitude.

Table-11 Transmit Waveform Value For DS1 -7.5 dB LBO

| Sample | UI 1    | UI 2    | UI 3    | UI 4    |
|--------|---------|---------|---------|---------|
| 1      | 0000000 | 0010100 | 0000010 | 0000000 |
| 2      | 0000010 | 0010010 | 0000010 | 0000000 |
| 3      | 0001001 | 0010000 | 0000010 | 0000000 |
| 4      | 0010011 | 0001110 | 0000010 | 0000000 |
| 5      | 0011101 | 0001100 | 0000010 | 0000000 |
| 6      | 0100101 | 0001011 | 0000001 | 0000000 |
| 7      | 0101011 | 0001010 | 0000001 | 0000000 |
| 8      | 0110001 | 0001001 | 0000001 | 0000000 |
| 9      | 0110110 | 0001000 | 0000001 | 0000000 |
| 10     | 0111010 | 0000111 | 0000001 | 0000000 |
| 11     | 0111001 | 0000110 | 0000001 | 0000000 |
| 12     | 0110000 | 0000101 | 0000001 | 0000000 |
| 13     | 0101000 | 0000100 | 0000000 | 0000000 |
| 14     | 0100000 | 0000100 | 0000000 | 0000000 |
| 15     | 0011010 | 0000011 | 0000000 | 0000000 |
| 16     | 0010111 | 0000011 | 0000000 | 0000000 |

SCAL[5:0] = 010001 (default), One step change of this value of SCAL[5:0] results in 6.25% scaling up/down against the pulse amplitude.

Table-10 Transmit Waveform Value For DS1 0 dB LBO

| Sample | UI 1    | UI 2    | UI 3    | UI 4    |
|--------|---------|---------|---------|---------|
| 1      | 0010111 | 1000010 | 0000000 | 0000000 |
| 2      | 0100111 | 1000001 | 0000000 | 0000000 |
| 3      | 0100111 | 0000000 | 0000000 | 0000000 |
| 4      | 0100110 | 0000000 | 0000000 | 0000000 |
| 5      | 0100101 | 0000000 | 0000000 | 0000000 |
| 6      | 0100101 | 0000000 | 0000000 | 0000000 |
| 7      | 0100101 | 0000000 | 0000000 | 0000000 |
| 8      | 0100100 | 0000000 | 0000000 | 0000000 |
| 9      | 0100011 | 0000000 | 0000000 | 0000000 |
| 10     | 1001010 | 0000000 | 0000000 | 0000000 |
| 11     | 1001010 | 0000000 | 0000000 | 0000000 |
| 12     | 1001001 | 0000000 | 0000000 | 0000000 |
| 13     | 1000111 | 0000000 | 0000000 | 0000000 |
| 14     | 1000101 | 0000000 | 0000000 | 0000000 |
| 15     | 1000100 | 0000000 | 0000000 | 0000000 |
| 16     | 1000011 | 0000000 | 0000000 | 0000000 |

SCAL[5:0] = 110110 (default), One step change of this Value results in 2% scaling up/down against the pulse amplitude.

Table-12 Transmit Waveform Value For DS1 -15.0 dB LBO

| Sample | UI 1    | UI 2    | UI 3    | UI 4    |
|--------|---------|---------|---------|---------|
| 1      | 0000000 | 0110101 | 0001111 | 0000011 |
| 2      | 0000000 | 0110011 | 0001101 | 0000010 |
| 3      | 0000000 | 0110000 | 0001100 | 0000010 |
| 4      | 0000001 | 0101101 | 0001011 | 0000010 |
| 5      | 0000100 | 0101010 | 0001010 | 0000010 |
| 6      | 0001000 | 0100111 | 0001001 | 0000001 |
| 7      | 0001110 | 0100100 | 0001000 | 0000001 |
| 8      | 0010100 | 0100001 | 0000111 | 0000001 |
| 9      | 0011011 | 0011110 | 0000110 | 0000001 |
| 10     | 0100010 | 0011100 | 0000110 | 0000001 |
| 11     | 0101010 | 0011010 | 0000101 | 0000001 |
| 12     | 0110000 | 0010111 | 0000101 | 0000001 |
| 13     | 0110101 | 0010101 | 0000100 | 0000001 |
| 14     | 0110111 | 0010100 | 0000100 | 0000000 |
| 15     | 0111000 | 0010010 | 0000011 | 0000000 |
| 16     | 0110111 | 0010000 | 0000011 | 0000000 |

SCAL[5:0] = 001000 (default), One step change of the value of SCAL[5:0] results in 12.5% scaling up/down against the pulse amplitude.



**Table-13 Transmit Waveform Value For DS1 -22.5 dB LBO**

| Sample | UI 1    | UI 2    | UI 3    | UI 4    |
|--------|---------|---------|---------|---------|
| 1      | 0000000 | 0101100 | 0011110 | 0001000 |
| 2      | 0000000 | 0101110 | 0011100 | 0000111 |
| 3      | 0000000 | 0110000 | 0011010 | 0000110 |
| 4      | 0000000 | 0110001 | 0011000 | 0000101 |
| 5      | 0000001 | 0110010 | 0010111 | 0000101 |
| 6      | 0000011 | 0110010 | 0010101 | 0000100 |
| 7      | 0000111 | 0110010 | 0010100 | 0000100 |
| 8      | 0001011 | 0110001 | 0010011 | 0000011 |
| 9      | 0001111 | 0110000 | 0010001 | 0000011 |
| 10     | 0010101 | 0101110 | 0010000 | 0000010 |
| 11     | 0011001 | 0101100 | 0001111 | 0000010 |
| 12     | 0011100 | 0101001 | 0001110 | 0000010 |
| 13     | 0100000 | 0100111 | 0001101 | 0000001 |
| 14     | 0100011 | 0100100 | 0001100 | 0000001 |
| 15     | 0100111 | 0100010 | 0001010 | 0000001 |
| 16     | 0101010 | 0100000 | 0001001 | 0000001 |

SCAL[5:0] = 000100 (default), One step change of this value of SCAL[5:0] results in 25% scaling up/down against the pulse amplitude.

### 3.3.4 TRANSMIT PATH LINE INTERFACE

The transmit line interface consists of TTIPn and TRINGn pins. The impedance matching can be realized by the internal impedance matching circuit or the external impedance matching circuit. If T\_TERM[2] is set to '0', the internal impedance matching circuit will be selected. In this case, the T\_TERM[1:0] bits (TERM, 02H...) can be set to choose 75 Ω, 100 Ω, 110 Ω or 120 Ω internal impedance of TTIPn/TRINGn. If T\_TERM[2] is set

to '1', the internal impedance matching circuit will be disabled. In this case, the external impedance matching circuit will be used to realize the impedance matching. For T1/J1 mode, the external impedance matching circuit for the transmitter is not supported.

Figure-9 shows the appropriate external components to connect with the cable for one channel. Table-14 is the list of the recommended impedance matching for transmitter.

In hardware control mode, TERMn pin can be used to select impedance matching for both receiver and transmitter on a per channel basis. If TERMn pin is low, internal impedance network will be used. If TERMn pin is high, external impedance network will be used in E1 mode, or external impedance network for receiver and internal impedance network for transmitter will be used in T1/J1 mode. (This applies to ZB die revision only). When internal impedance network is used, PULSn[3:0] pins should be set to select the specific internal impedance in the corresponding channel. Refer to 5 HARDWARE CONTROL PIN SUMMARY for details.

The TTIPn/TRINGn can also be turned into high impedance globally by pulling THZ pin to high or individually by setting the THZ bit (TCF1, 05H...) to '1'. In this state, the internal transmit circuits are still active.

In hardware control mode, TTIPn/TRINGn pins can be turned into high impedance globally by pulling THZ pin to high. Refer to 5 HARDWARE CONTROL PIN SUMMARY for details.

Besides, in the following cases, TTIPn/TRINGn will also become high impedance:

- Loss of MCLK;
- Loss of TCLKn (exceptions: Remote Loopback; Transmit internal pattern by MCLK);
- Transmit path power down;
- After software reset; pin reset and power on.

**Table-14 Impedance Matching for Transmitter**

| Cable Configuration | Internal Termination |           |                | External Termination |           |                |
|---------------------|----------------------|-----------|----------------|----------------------|-----------|----------------|
|                     | T_TERM[2:0]          | PULS[3:0] | R <sub>T</sub> | T_TERM[2:0]          | PULS[3:0] | R <sub>T</sub> |
| E1/75 Ω             | 000                  | 0000      | 0 Ω            | 1XX                  | 0001      | 9.4 Ω          |
| E1/120 Ω            | 001                  | 0001      |                |                      | 0001      |                |
| T1/0~133 ft         | 010                  | 0010      |                | -                    | -         | -              |
| T1/133~266 ft       |                      | 0011      |                |                      |           |                |
| T1/266~399 ft       |                      | 0100      |                |                      |           |                |
| T1/399~533 ft       |                      | 0101      |                |                      |           |                |
| T1/533~655 ft       |                      | 0110      |                |                      |           |                |
| J1/0~655 ft         |                      | 0111      |                |                      |           |                |
| 0 dB LBO            | 010                  | 1000      |                |                      |           |                |
| -7.5 dB LBO         |                      | 1001      |                |                      |           |                |
| -15.0 dB LBO        |                      | 1010      |                |                      |           |                |
| -22.5 dB LBO        |                      | 1011      |                |                      |           |                |

Note: The precision of the resistors should be better than ± 1%

### 3.3.5 TRANSMIT PATH POWER DOWN

The transmit path can be powered down individually by setting the T\_OFF bit (TCF0, 04H...) to '1'. In this case, the TTIPn/TRINGn pins are turned into high impedance.

In hardware control mode, the transmit path can be powered down by setting PATTn[1:0] pins to '11' on a per channel basis. Refer to 5 HARDWARE CONTROL PIN SUMMARY for details.

### 3.4 RECEIVE PATH

The receive path consists of Receive Internal Termination, Monitor Gain, Amplitude/Wave Shape Detector, Digital Tuning Controller, Adaptive Equalizer, Data Slicer, CDR (Clock & Data Recovery), Optional Jitter Attenuator, Decoder and LOS/AIS Detector. Refer to Figure-8.

#### 3.4.1 RECEIVE INTERNAL TERMINATION

The impedance matching can be realized by the internal impedance matching circuit or the external impedance matching circuit. If R\_TERM[2] is set to '0', the internal impedance matching circuit will be selected. In this case, the R\_TERM[1:0] bits (TERM, 02H...) can be set to choose 75  $\Omega$ , 100  $\Omega$ , 110  $\Omega$  or 120  $\Omega$  internal impedance of RTIPn/RRINGn. If R\_TERM[2] is set to '1', the internal impedance matching circuit will be disabled. In this case, the external impedance matching circuit will be used to realize the impedance matching.

Figure-9 shows the appropriate external components to connect with the cable for one channel. Table-15 is the list of the recommended impedance matching for receiver.

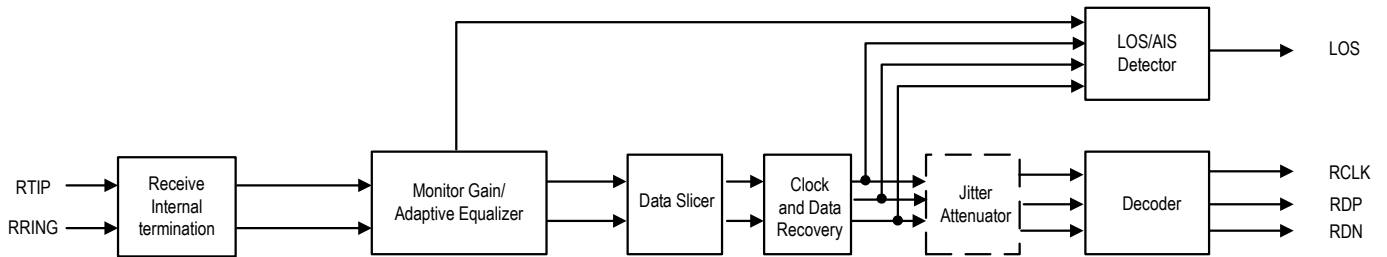
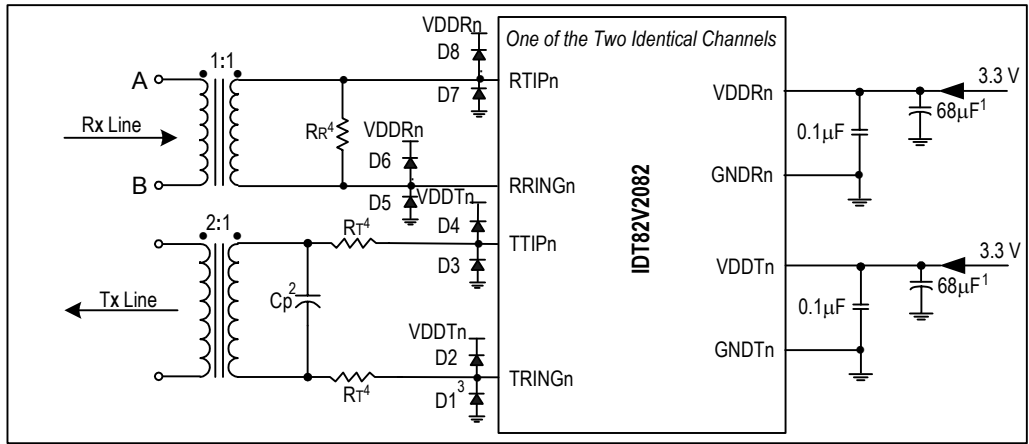


Figure-8 Receive Path Function Block Diagram

Table-15 Impedance Matching for Receiver

| Cable Configuration | Internal Termination |                | External Termination |                |
|---------------------|----------------------|----------------|----------------------|----------------|
|                     | R_TERM[2:0]          | R <sub>R</sub> | R_TERM[2:0]          | R <sub>R</sub> |
| E1/75 $\Omega$      | 000                  | 120 $\Omega$   | 1XX                  | 75 $\Omega$    |
| E1/120 $\Omega$     | 001                  |                |                      | 120 $\Omega$   |
| T1                  | 010                  |                |                      | 100 $\Omega$   |
| J1                  | 011                  |                |                      | 110 $\Omega$   |



- Note:
1. Common decoupling capacitor. One per chip
  2. Cp 0-560 (pF)
  3. D1 - D8, Motorola - MBR0540T1; International Rectifier - 11DQ04 or 10BQ060
  4. RT/RR: refer to Table-14 and Table-15 respectively for RT and RR values

Figure-9 Transmit/Receive Line Circuit

In hardware control mode, TERMn, PULSn[3:0] pins can be used to select impedance matching for both receiver and transmitter on a per channel basis. If TERMn pin is low, internal impedance network will be used. If TERMn pin is high, external impedance network will be used in E1 mode, or external impedance network for receiver and internal impedance network for transmitter will be used in T1/J1 mode. (This applies to ZB die revision only). When internal impedance network is used, PULSn[3:0] pins should be set to select specific internal impedance for the corresponding channel. Refer to 5 HARDWARE CONTROL PIN SUMMARY for details.

3.4.2 LINE MONITOR

In both T1/J1 and E1 short haul applications, the non-intrusive monitoring on channels located in other chips can be performed by tapping the monitored channel through a high impedance bridging circuit. Refer to Figure-10 and Figure-11.

After a high resistance bridging circuit, the signal arriving at the RTIPn/RRINGn is dramatically attenuated. To compensate this attenuation, the Monitor Gain can be used to boost the signal by 22 dB, 26 dB and 32 dB, selected by MG[1:0] bits (RCF2, 0BH...). For normal operation, the Monitor Gain should be set to 0 dB.

In hardware control mode, MONTn pin can be used to set the Monitor Gain on a per channel basis. When MONTn pin is low, the Monitor Gain for the specific channel is 0 dB. When MONTn pin is high, the Monitor Gain for the specific channel is 26 dB. Refer to 5 HARDWARE CONTROL PIN SUMMARY for details.

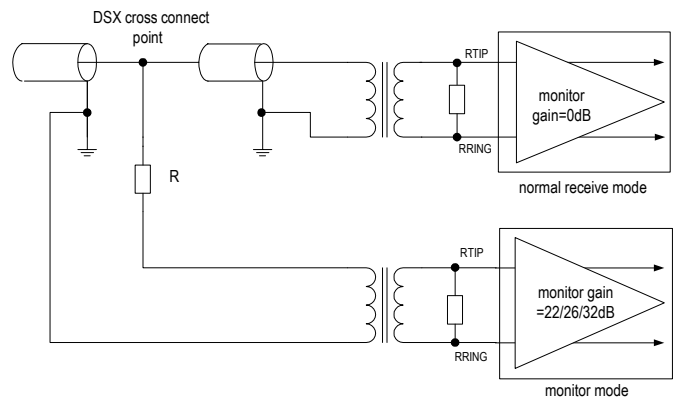


Figure-10 Monitoring Receive Line in Another Chip

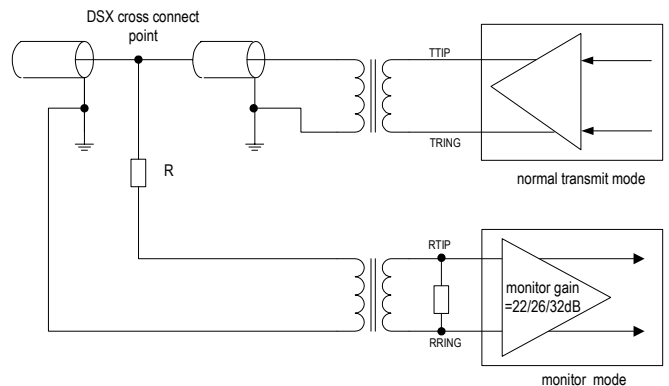


Figure-11 Monitor Transmit Line in Another Chip

### 3.4.3 ADAPTIVE EQUALIZER

The adaptive equalizer can remove most of the signal distortion due to intersymbol interference caused by cable attenuation. It can be enabled or disabled by setting EQ\_ON bit to '1' or '0' (**RCF1, 0AH...**).

When the adaptive equalizer is out of range, EQ\_S bit (**STAT0, 16H...**) will be set to '1' to indicate the status of equalizer. If EQ\_IES bit (**INTES, 15H...**) is set to '1', any changes of EQ\_S bit will generate an interrupt and EQ\_IS bit (**INTS0, 18H...**) will be set to '1' if it is not masked. If EQ\_IES bit is set to '0', only the '0' to '1' transition of the EQ\_S bit will generate an interrupt and EQ\_IS bit will be set to '1' if it is not masked. The EQ\_IS bit will be reset after being read.

The Amplitude/wave shape detector keeps on measuring the amplitude/wave shape of the incoming signals during an observation period. This observation period can be 32, 64, 128 or 256 symbol periods, as selected by UPDW[1:0] bits (**RCF2, 0BH...**). A shorter observation period allows quicker responses to pulse amplitude variation while a longer observation period can minimize the possible overshoots. The default observation period is 128 symbol periods.

Based on the observed peak value for a period, the equalizer will be adjusted to achieve a normalized signal. LATT[4:0] bits (**STAT1, 17H...**) indicate the signal attenuation introduced by the cable in approximately 2 dB per step.

### 3.4.4 RECEIVE SENSITIVITY

For short haul application, the Receive Sensitivity for both E1 and T1/J1 is -10 dB. For long haul application, the receive sensitivity is -43 dB for E1 and -36 dB for T1/J1.

When the chip is configured by hardware, the short haul or long haul operating mode can be selected by setting EQn on a per channel basis. For short haul mode, the Receive Sensitivity for both E1 and T1/J1 is -10 dB. For long haul mode, the receive sensitivity is -43 dB for E1 and -36 dB for T1/J1. Refer to [5 HARDWARE CONTROL PIN SUMMARY](#) for details.

### 3.4.5 DATA SLICER

The Data Slicer is used to generate a standard amplitude mark or a space according to the amplitude of the input signals. The threshold can be 40%, 50%, 60% or 70%, as selected by the SLICE[1:0] bits (**RCF2, 0BH...**). The output of the Data Slicer is forwarded to the CDR (Clock & Data Recovery) unit or to the RDPn/RDNn pins directly if the CDR is disabled.

### 3.4.6 CDR (Clock & Data Recovery)

The CDR is used to recover the clock and data from the received signal. The recovered clock tracks the jitter in the data output from the Data Slicer and keeps the phase relationship between data and clock during the

absence of the incoming pulse. The CDR can also be by-passed in the Dual Rail mode. When CDR is by-passed, the data from the Data Slicer is output to the RDPn/RDNn pins directly.

### 3.4.7 DECODER

In T1/J1 applications, the R\_MD[1:0] bits (**RCF0, 09H...**) is used to select the AMI decoder or B8ZS decoder. In E1 applications, the R\_MD[1:0] bits (**RCF0, 09H...**) are used to select the AMI decoder or HDB3 decoder.

When the chip is configured by hardware, the operation mode of receive and transmit path can be selected by setting RXTXM[1:0] pins on a global basis. Refer to [5 HARDWARE CONTROL PIN SUMMARY](#) for details.

### 3.4.8 RECEIVE PATH SYSTEM INTERFACE

The receive path system interface consists of RCLKn pin, RDn/RDPn pin and RDNn pin. In E1 mode, the RCLKn outputs a recovered 2.048 MHz clock. In T1/J1 mode, the RCLKn outputs a recovered 1.544 MHz clock. The received data is updated on the RDn/RDPn and RDNn pins on the active edge of RCLKn. The active edge of RCLKn can be selected by the RCLK\_SEL bit (**RCF0, 09H...**). And the active level of the data on RDn/RDPn and RDNn can be selected by the RD\_INV bit (**RCF0, 09H...**).

In hardware control mode, only the active edge of RCLKn can be selected. If RCLKE is set to high, the falling edge will be chosen as the active edge of RCLKn. If RCLKE is set to low, the rising edge will be chosen as the active edge of RCLKn. The active level of the data on RDn/RDPn and RDNn is the same as that in software control mode.

The received data can be output to the system side in two different ways: Single Rail or Dual Rail, as selected by R\_MD bit [1] (**RCF0, 09H...**). In Single Rail mode, only RDn pin is used to output data and the RDNn/CVn pin is used to report the received errors. In Dual Rail Mode, both RDPn pin and RDNn pin are used for outputting data.

In the receive Dual Rail mode, the CDR unit can be by-passed by setting R\_MD[1:0] to '11' (binary). In this situation, the output data from the Data Slicer will be output to the RDPn/RDNn pins directly, and the RCLKn outputs the exclusive OR (XOR) of the RDPn and RDNn. This is called receiver slicer mode. In this case, the transmit path is still operating in Dual Rail mode.

### 3.4.9 RECEIVE PATH POWER DOWN

The receive path can be powered down individually by setting R\_OFF bit (**RCF0, 09H...**) to '1'. In this case, the RCLKn, RDn/RDPn, RDNn and LOSn will be logic low.

In hardware control mode, receiver power down can be selected by pulling RPDn pin to high on a per channel basis. Refer to [5 HARDWARE CONTROL PIN SUMMARY](#) for more details.

3.4.10 G.772 NON-INTRUSIVE MONITORING

In applications using only one channel, channel 1 can be configured to monitor the data received or transmitted in channel 2. The MONT[1:0] bits (GCF, 20H) determine which direction (transmit/receive) will be monitored. The monitoring is non-intrusive per ITU-T G.772. Figure-12 illustrates the concept.

The monitored line signal (transmit or receive) goes through Channel 1's Clock and Data Recovery. The signal can be observed digitally at the RCLK1, RD1/RDP1 and RDN1. If Channel 1 is configured to Remote Loopback while in the Monitoring mode, the monitored data will be output on TTIP1/TRING1.

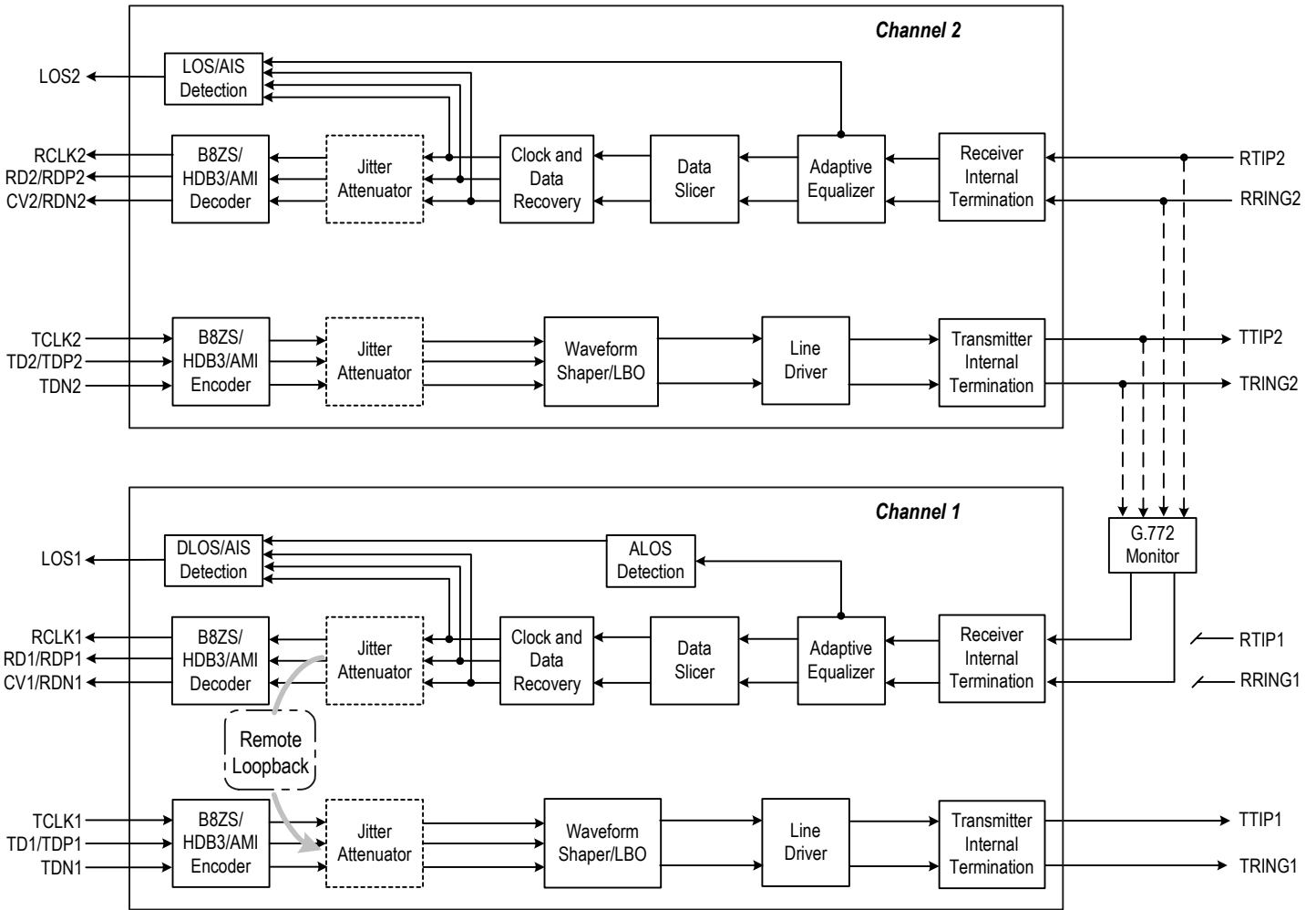


Figure-12 G.772 Monitoring Diagram

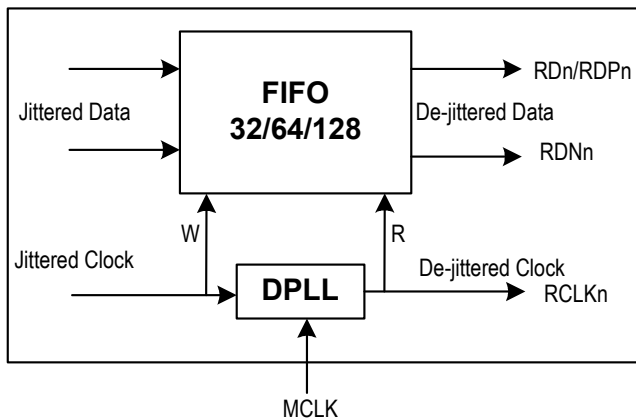
### 3.5 JITTER ATTENUATOR

There is one Jitter Attenuator in each channel of the LIU. The Jitter Attenuator can be deployed in the transmit path or the receive path, and can also be disabled. This is selected by the JACF[1:0] bits (**JACF, 03H...**).

In hardware control mode, Jitter Attenuator position, bandwidth and the depth of FIFO can be selected by JA[1:0] pins on a global basis. Refer to [5 HARDWARE CONTROL PIN SUMMARY](#) for details.

#### 3.5.1 JITTER ATTENUATION FUNCTION DESCRIPTION

The Jitter Attenuator is composed of a FIFO and a DPLL, as shown in [Figure-13](#). The FIFO is used as a pool to buffer the jittered input data, then the data is clocked out of the FIFO by a de-jittered clock. The depth of the FIFO can be 32 bits, 64 bits or 128 bits, as selected by the JADP[1:0] bits (**JACF, 03H...**). In hardware control mode, the depth of FIFO can be selected by JA[1:0] pins on a global basis. Refer to [5 HARDWARE CONTROL PIN SUMMARY](#) for details. Consequently, the constant delay of the Jitter Attenuator will be 16 bits, 32 bits or 64 bits. Deeper FIFO can tolerate larger jitter, but at the cost of increasing data latency time.



**Figure-13 Jitter Attenuator**

In E1 applications, the Corner Frequency of the DPLL can be 0.9 Hz or 6.8 Hz, as selected by the JABW bit (**JACF, 03H...**). In T1/J1 applications, the Corner Frequency of the DPLL can be 1.25 Hz or 5.00 Hz, as selected by the JABW bit (**JACF, 03H...**). The lower the Corner Frequency is, the longer time is needed to achieve synchronization.

When the incoming data moves faster than the outgoing data, the FIFO will overflow. This overflow is captured by the JAOV\_IS bit (**INTS1, 19H...**). If the incoming data moves slower than the outgoing data, the FIFO will underflow. This underflow is captured by the JAUD\_IS bit (**INTS1, 19H...**). For some applications that are sensitive to data corruption, the JA limit mode can be enabled by setting JA\_LIMIT bit (**JACF, 03H...**) to '1'. In the JA limit mode, the speed of the outgoing data will be adjusted automatically when the FIFO is close to its full or emptiness. The criteria of starting speed adjustment are shown in [Table-16](#). The JA limit mode can reduce the possibility of FIFO overflow and underflow, but the quality of jitter attenuation is deteriorated.

**Table-16 Criteria of Starting Speed Adjustment**

| FIFO Depth | Criteria for Adjusting Data Outgoing Speed |
|------------|--|
| 32 Bits    | 2 bits close to its full or emptiness      |
|            | 3 bits close to its full or emptiness      |
|            | 4 bits close to its full or emptiness      |

#### 3.5.2 JITTER ATTENUATOR PERFORMANCE

The performance of the Jitter Attenuator in the IDT82V2082 meets the ITU-TI.431, G.703, G.736-739, G.823, G.824, ETSI 300011, ETSI TBR12/13, AT&T TR62411 specifications. Details of the Jitter Attenuator performance is shown in [Table-68 Jitter Tolerance](#) and [Table-69 Jitter Attenuator Characteristics](#).

## 3.6 LOS AND AIS DETECTION

### 3.6.1 LOS DETECTION

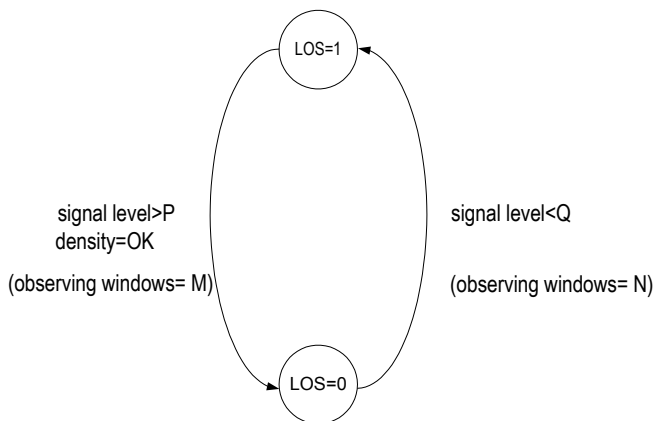
The Loss of Signal Detector monitors the amplitude of the incoming signal level and pulse density of the received signal on RTIPn and RRINGn.

- **LOS declare (LOS=1)**

A LOS is detected when the incoming signal has “no transitions”, i.e., when the signal level is less than Q dB below nominal for N consecutive pulse intervals. Here N is defined by LAC bit (**MAINT0, 0CH...**). LOS will be declared by pulling LOSn pin to high (LOS=1) and LOS interrupt will be generated if it is not masked.

- **LOS clear (LOS=0)**

The LOS is cleared when the incoming signal has “transitions”, i.e., when the signal level is greater than P dB below nominal and has an average pulse density of at least 12.5% for M consecutive pulse intervals, starting with the receipt of a pulse. Here M is defined by LAC bit (**MAINT0, 0CH...**). LOS status is cleared by pulling LOSn pin to low.



**Figure-14 LOS Declare and Clear**

- **LOS detect level threshold**

In short haul mode, the amplitude threshold Q is fixed on 800 mVpp, while  $P=Q+200$  mVpp (200 mVpp is the LOS level detect hysteresis).

In long haul mode, the value of Q can be selected by LOS[4:0] bit (**RCF1, 0AH...**), while  $P=Q+4$  dB (4 dB is the LOS level detect hysteresis). The LOS[4:0] default value is 10101 (-46 dB).

- When the chip is configured by hardware, the LOS detect level is fixed if the IDT82V2082 operates in long haul mode. It is -46dB (E1) and -38dB (T1/J1).

- **Criteria for declare and clear of a LOS detect**

The detection supports the ANSI T1.231 and I.431 for T1/J1 mode and G.775 and ETSI 300233/I.431 for E1 mode. The criteria can be selected by LAC bit (**MAINT0, 0CH...**) and T1E1 bit (**GCF, 20H**).

Table-17 and Table-18 summarize LOS declare and clear criteria for both short haul and long haul application.

- **All Ones output during LOS**

On the system side, the RDPn/RDNn will reflect the input pulse “transition” at the RTIPn/RRINGn side and output recovered clock (but the quality of the output clock can not be guaranteed when the input level is lower than the maximum receive sensitivity) when AISE bit (**MAINT0, 0CH...**) is 0; or output All Ones as AIS when AISE bit (**MAINT0, 0CH...**) is 1. In this case RCLKn output is replaced by MCLK.

On the line side, the TTIPn/TRINGn will output All Ones as AIS when ATAO bit (**MAINT0, 0CH...**) is 1. The All Ones pattern uses MCLK as the reference clock.

LOS indicator is always active for all kinds of loopback modes.

Table-17 LOS Declare and Clear Criteria for Short Haul Mode

| Control bit |              | LOS declare threshold           | LOS clear threshold  |
|-------------|--------------|---------------------------------|--|
| T1E1        | LAC          |                                 |  |
| 1=T1/J1     | 0=T1.231     | Level < 800 mVpp<br>N=175 bits  | Level > 1 Vpp<br>M=128 bits<br>12.5% mark density<br><100 consecutive zeroes |
|             | 1=L.431      | Level < 800 mVpp<br>N=1544 bits | Level > 1 Vpp<br>M=128 bits<br>12.5% mark density<br><100 consecutive zeroes |
| 0=E1        | 0=G.775      | Level < 800 mVpp<br>N=32 bits   | Level > 1 Vpp<br>M=32 bits<br>12.5% mark density<br><16 consecutive zeroes   |
|             | 1=L.431/ETSI | Level < 800 mVpp<br>N=2048 bits | Level > 1 Vpp<br>M=32 bits<br>12.5% mark density<br><16 consecutive zeroes   |



Table-18 LOS Declare and Clear Criteria for Long Haul Mode

| Control bit |             |                |                | LOS declare threshold | LOS clear threshold      | Note  |  |   |
|-------------|-------------|----------------|----------------|-----------------------|--------------------------|---|--|---|
| T1E1        | LAC         |                | LOS[4:0]       |                       |                          |   | Q (dB)                                   |   |
| 1=T1/J1     | 0           | T1.231         | 00000          | -4                    | Level < Q<br>N=175 bits  | Level > Q+ 4dB<br>M=128 bits<br>12.5% mark density<br><100 consecutive zeroes |  |   |
|             |             |                | 00001          | -6                    |                          |   |  |   |
|             |             |                | ...            | ...                   |                          |   |  |   |
|             |             |                | 10001          | -38                   |                          |   |  |   |
|             |             |                | 10101          | -46                   |                          |   |  |   |
|             | 10110-11111 | -48            |                |                       |                          |   |  |   |
|             | 1           | -              | I.431          | 00000                 | -4                       | Level < Q<br>N=1544 bits  |  | Level > Q+ 4dB<br>M=128 bits<br>12.5% mark density<br><100 consecutive zeroes |
|             |             |                |                | ...                   | ...                      |   |  |   |
|             |             |                |                | 00110                 | -16                      |   |  |   |
|             |             |                |                | 00111                 | -18                      |   |  |   |
| 01101       |             |                |                | -30                   |                          |   |  |   |
| -           | -           | -              | 01110          | -32                   | Level < Q<br>N=32 bits   | Level > Q+ 4dB<br>M=32 bits<br>12.5% mark density<br><16 consecutive zeroes   |  |   |
|             |             |                | ...            | ...                   |                          |   |  |   |
|             |             |                | 10001          | -38                   |                          |   |  |   |
|             |             |                | 10101          | -46                   |                          |   |  |   |
|             |             |                | 10110-11111    | -48                   |                          |   |  |   |
| 0=E1        | 0           | -              | 00000          | -4                    | Level < Q<br>N=32 bits   | Level > Q+ 4dB<br>M=32 bits<br>12.5% mark density<br><16 consecutive zeroes   | G.775 Level detect range is -9 to -35 dB |   |
|             |             |                | ...            | ...                   |                          |   |  |   |
|             |             |                | 00010          | -8                    |                          |   |  |   |
|             |             |                | G.775          | 00011                 |                          |   |  | -10   |
|             |             |                | ...            | ...                   |                          |   |  |   |
|             | 10000       | -36            |                |                       |                          |   |  |   |
|             | 1           | I.431/<br>ETSI | -              | 10001                 | -38                      | Level < Q<br>N=2048 bits  |  | Level > Q+ 4dB<br>M=32 bits<br>12.5% mark density<br><16 consecutive zeroes   |
|             |             |                |                | ...                   | ...                      |   |  |   |
|             |             |                |                | 10101(default)        | -46                      |   |  |   |
|             |             |                |                | 10110-11111           | -48                      |   |  |   |
| 01000       |             |                |                | -20                   |                          |   |  |   |
| -           | -           | -              | 01001          | -22                   | Level < Q<br>N=2048 bits | Level > Q+ 4dB<br>M=32 bits<br>12.5% mark density<br><16 consecutive zeroes   |  |   |
|             |             |                | ...            | ...                   |                          |   |  |   |
|             |             |                | 10101(default) | -46                   |                          |   |  |   |
|             |             |                | 10110-11111    | -48                   |                          |   |  |   |
|             |             |                | 10101          | -20                   |                          |   |  |   |

### 3.6.2 AIS DETECTION

The Alarm Indication Signal can be detected by the IDT82V2082 when the Clock & Data Recovery unit is enabled. The status of AIS detection is reflected in the AIS\_S bit (**STAT0, 16H...**). In T1/J1 applications, the criteria for declaring/clearing AIS detection are in compliance with the ANSI

T1.231. In E1 applications, the criteria for declaring/clearing AIS detection comply with the ITU G.775 or the ETSI 300233, as selected by the LAC bit (**MAINT0, 0CH...**). [Table-19](#) summarizes different criteria for AIS detection Declaring/Clearing.

**Table-19 AIS Condition**

|                     | ITU G.775 for E1<br>(LAC bit is set to '0' by default)                              | ETSI 300233 for E1<br>(LAC bit is set to '1')                | ANSI T1.231 for T1/J1  |
|---------------------|---|--|--|
| <b>AIS detected</b> | Less than 3 zeros contained in each of two consecutive 512-bit streams are received | Less than 3 zeros contained in a 512-bit stream are received | Less than 9 zeros contained in an 8192-bit stream (a ones density of 99.9% over a period of 5.3ms) |
| <b>AIS cleared</b>  | 3 or more zeros contained in each of two consecutive 512-bit streams are received   | 3 or more zeros contained in a 512-bit stream are received   | 9 or more zeros contained in an 8192-bit stream are received                                       |

### 3.7 TRANSMIT AND DETECT INTERNAL PATTERNS

The internal patterns (All Ones, All Zeros, PRBS/QRSS pattern and Activate/Deactivate Loopback Code) will be generated and detected by IDT82V2082. TCLKn is used as the reference clock by default. MCLK can also be used as the reference clock by setting the PATT\_CLK bit (**MAINT0, 0CH...**) to '1'.

If the PATT\_CLK bit (**MAINT0, 0CH...**) is set to '0' and the PATT[1:0] bits (**MAINT0, 0CH...**) are set to '00', the transmit path will operate in normal mode.

When the chip is configured by hardware, the transmit path will operate in normal mode by setting PATTn[1:0] pins to '00' on a per channel basis. Refer to [5 HARDWARE CONTROL PIN SUMMARY](#) for details.

#### 3.7.1 TRANSMIT ALL ONES

In transmit direction, the All Ones data can be inserted into the data stream when the PATT[1:0] bits (**MAINT0, 0CH...**) are set to '01'. The transmit data stream is output from TTIPn/TRINGn. In this case, either TCLKn or MCLK can be used as the transmit clock, as selected by the PATT\_CLK bit (**MAINT0, 0CH...**).

In hardware control mode, the All Ones data can be inserted into the data stream in transmit direction by setting PATTn[1:0] pins to '01' on a per channel basis. Refer to [5 HARDWARE CONTROL PIN SUMMARY](#) for details.

#### 3.7.2 TRANSMIT ALL ZEROS

If the PATT\_CLK bit (**MAINT0, 0CH...**) is set to '1', the All Zeros will be inserted into the transmit data stream when the PATT[1:0] bits (**MAINT0, 0CH...**) are set to '00'.

#### 3.7.3 PRBS/QRSS GENERATION AND DETECTION

A PRBS/QRSS will be generated in the transmit direction and detected in the receive direction by IDT82V2082. The QRSS is  $2^{20}-1$  for T1/J1 applications and the PRBS is  $2^{15}-1$  for E1 applications, with maximum zero restrictions according to the AT&T TR62411 and ITU-T O.151.

When the PATT[1:0] bits (**MAINT0, 0CH...**) are set to '10', the PRBS/QRSS pattern will be inserted into the transmit data stream with the MSB first. The PRBS/QRSS pattern will be transmitted directly or invertedly.

In hardware control mode, the PRBS data will be generated in the transmit direction and inserted into the transmit data stream by setting PATTn[1:0] pins to '10' on a per channel basis. Refer to [5 HARDWARE CONTROL PIN SUMMARY](#) for details.

The PRBS/QRSS in the received data stream will be monitored. If the PRBS/QRSS has reached synchronization status, the PRBS\_S bit (**STAT0, 16H...**) will be set to '1', even in the presence of a logic error rate less than or equal to  $10^{-1}$ . The criteria for setting/clearing the PRBS\_S bit are shown in [Table-20](#).

**Table-20 Criteria for Setting/Clearing the PRBS\_S Bit**

|                            |   |
|----------------------------|---|
| <b>PRBS/QRSS Detection</b> | 6 or less than 6 bit errors detected in a 64 bits hopping window. |
| <b>PRBS/QRSS Missing</b>   | More than 6 bit errors detected in a 64 bits hopping window.      |

PRBS data can be inverted through setting the PRBS\_INV bit (**MAINT0, 0CH...**).

Any change of PRBS\_S bit will be captured by PRBS\_IS bit (**INTS0, 18H...**). The PRBS\_IES bit (**INTES, 15H...**) can be used to determine whether the '0' to '1' change of PRBS\_S bit will be captured by the PRBS\_IS bit or any changes of PRBS\_S bit will be captured by the PRBS\_IES bit. When the PRBS\_IS bit is '1', an interrupt will be generated if the PRBS\_IM bit (**INTM0, 13H...**) is set to '1'.

The received PRBS/QRSS logic errors can be counted in a 16-bit counter if the ERR\_SEL [1:0] bits (**MAINT6, 12H...**) are set to '00'. Refer to [3.9 ERROR DETECTION/COUNTING AND INSERTION](#) for the operation of the error counter.

### 3.8 LOOPBACK

To facilitate testing and diagnosis, the IDT82V2082 provides four different loopback configurations: Analog Loopback, Digital Loopback, Remote Loopback and Inband Loopback.

#### 3.8.1 ANALOG LOOPBACK

When the ALP bit (**MAINT1, 0DH...**) is set to '1', the corresponding channel is configured in Analog Loopback mode. In this mode, the transmit signals are looped back to the Receiver Internal Termination in the receive path then output from RCLKn, RDn, RDPn/RDNn. The all-ones pattern can be generated during analog loopback. At the same time, the transmit signals are still output to TTIPn/TRINGn in transmit direction. [Figure-15](#) shows the process.

In hardware control mode, Analog Loopback can be selected by setting LPn[1:0] pins to '01' on a per channel basis.

#### 3.8.2 DIGITAL LOOPBACK

When the DLP bit (**MAINT1, 0DH...**) is set to '1', the corresponding channel is configured in Digital Loopback mode. In this mode, the transmit signals are looped back to the jitter attenuator (if enabled) and decoder in receive path, then output from RCLKn, RDn, RDPn/RDNn. At the same time, the transmit signals are still output to TTIPn/TRINGn in transmit direction. [Figure-16](#) shows the process.

Both Analog Loopback mode and Digital Loopback mode allow the sending of the internal patterns (All Ones, All Zeros, PRBS, etc.) which will overwrite the transmit signals. In this case, either TCLKn or MCLK can be used as the reference clock for internal patterns transmission.

In hardware control mode, Digital Loopback can be selected by setting LPn[1:0] pins to '10' on a per channel basis.

3.8.3 REMOTE LOOPBACK

When the RLP bit (MAINT1, 0DH...) is set to '1', the corresponding channel is configured in Remote Loopback mode. In this mode, the recovered clock and data output from Clock and Data Recovery on the receive path

is looped back to the jitter attenuator (if enabled) and Waveform Shaper in transmit path. Figure-17 shows the process.

In hardware control mode, Remote Loopback can be selected by setting LPn[1:0] pins to '11' on a per channel basis.

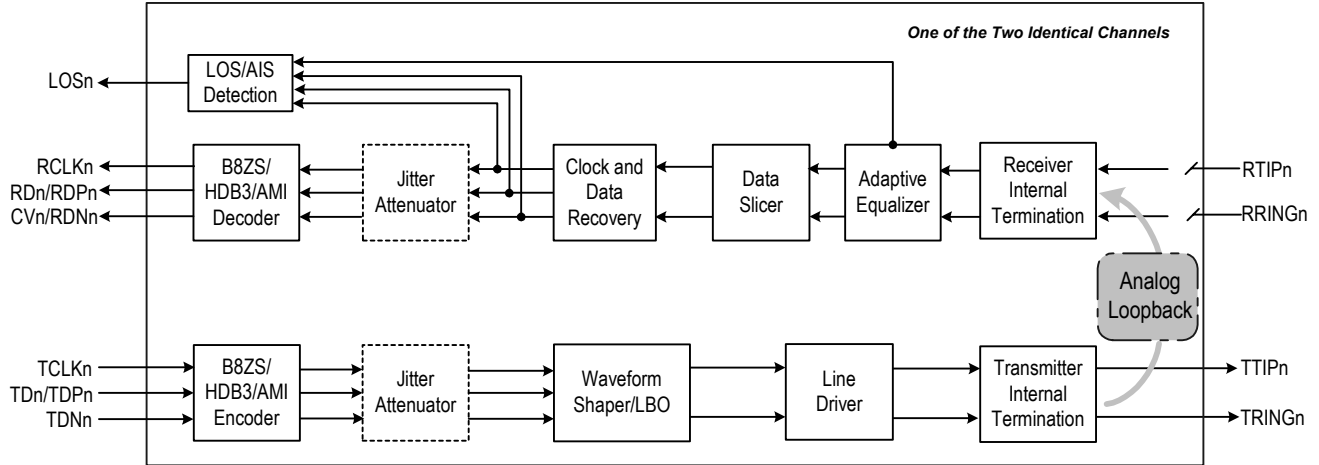


Figure-15 Analog Loopback

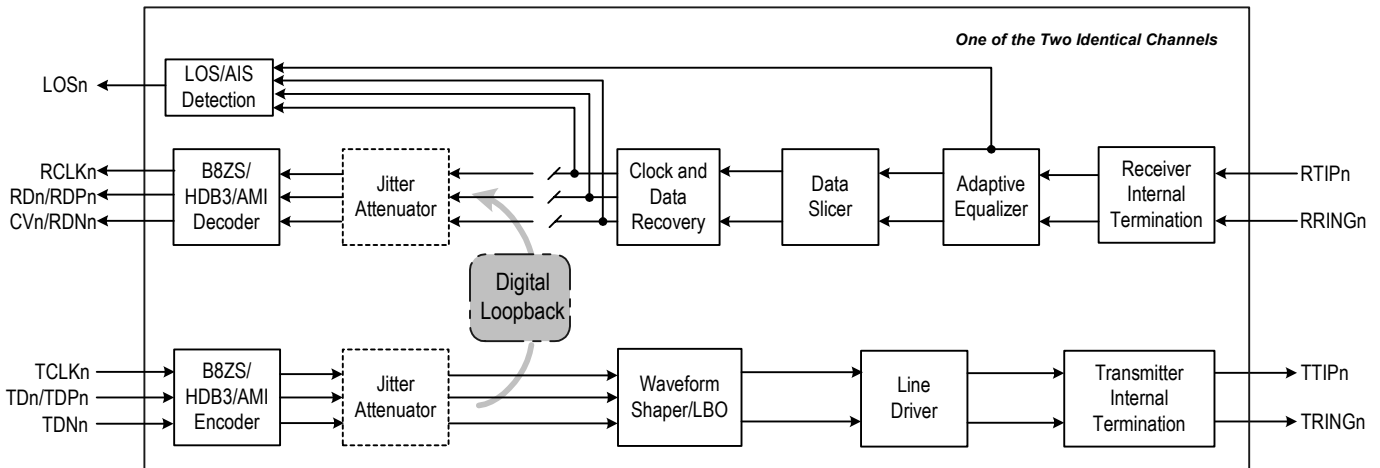


Figure-16 Digital Loopback

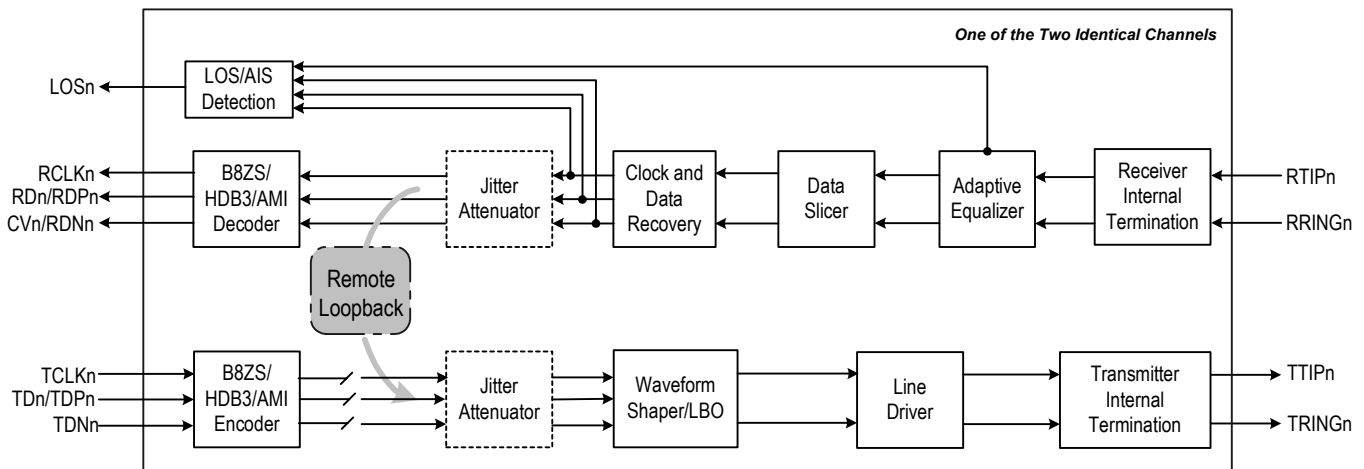


Figure-17 Remote Loopback

### 3.8.4 INBAND LOOPBACK

When PATT[1:0] bits (**MAINT0, 0CH...**) are set to '11', the corresponding channel is configured in Inband Loopback mode. In this mode, an unframed activate/Deactivate Loopback Code is generated repeatedly in transmit direction per ANSI T1. 403 which overwrite the transmit signals. In receive direction, the framed or unframed code is detected per ANSI T1. 403, even in the presence of  $10^{-2}$  bit error rate.

If the Automatic Remote Loopback is enabled by setting ARLP bit (**MAINT1, 0DH...**) to '1', the chip will establish/demolish the Remote Loopback based on the reception of the Activate Loopback Code/ Deactivate Loopback Code for 5.1 s. If the ARLP bit (**MAINT1, 0DH...**) is set to '0', the Remote Loopback can also be demolished forcibly.

#### 3.8.4.1 Transmit Activate/Deactivate Loopback Code

The pattern of the transmit Activate/Deactivate Loopback Code is defined by the TIBLB[7:0] bits (**MAINT3, 0FH...**). Whether the code represents an Activate Loopback Code or a Deactivate Loopback Code is judged by the far end receiver. The length of the pattern ranges from 5 bits to 8 bits, as selected by the TIBLB\_L[1:0] bits (**MAINT2, 0EH...**). The pattern can be programmed to 6-bit-long or 8-bit-long respectively by repeating itself if it is 3-bit-long or 4-bit-long. When the PATT[1:0] bits (**MAINT0, 0CH...**) are set to '11', the transmission of the Activate/Deactivate Loopback Code is initiated. If the PATT\_CLK bit (**MAINT0, 0CH...**) is set to '0' and the PATT[1:0] bits (**MAINT0, 0CH...**) are set to '00', the transmission of the Activate/Deactivate Loopback Code will stop.

The local transmit activate/deactivate code setting should be the same as the receive code setting in the remote end. It is the same thing for the other way round.

#### 3.8.4.2 Receive Activate/Deactivate Loopback Code

The pattern of the receive Activate Loopback Code is defined by the RIBLBA[7:0] bits (**MAINT4, 10H...**). The length of this pattern ranges from 5 bits to 8 bits, as selected by the RIBLBA\_L[1:0] bits (**MAINT2, 0EH...**). The pattern can be programmed to 6-bit-long or 8-bit-long respectively by repeating itself if it is 3-bit-long or 4-bit-long.

The pattern of the receive Deactivate Loopback Code is defined by the RIBLBD[7:0] bits (**MAINT5, 11H...**). The length of the receive Deactivate Loopback Code ranges from 5 bits to 8 bits, as selected by the RIBLBD\_L[1:0] bits (**MAINT2, 0EH...**). The pattern can be programmed to 6-bit-long or 8-bit-long respectively by repeating itself if it is 3-bit-long or 4-bit-long.

After the Activate Loopback Code has been detected in the receive data for more than 30 ms (in E1 mode) / 40 ms (in T1/J1 mode), the IBLBA\_S bit (**STAT0, 16H...**) will be set to '1' to declare the reception of the Activate Loopback Code.

After the Deactivate Loopback Code has been detected in the receive data for more than 30 ms (in E1 mode) / 40 ms (in T1/J1 mode), the IBLBD\_S bit (**STAT0, 16H...**) will be set to '1' to declare the reception of the Deactivate Loopback Code.

When the IBLBA\_IES bit (**INTES, 15H...**) is set to '0', only the '0' to '1' transition of the IBLBA\_S bit will generate an interrupt and set the IBLBA\_IS bit (**INTS0, 18H...**) to '1'. When the IBLBA\_IES bit is set to '1', any changes of the IBLBA\_S bit will generate an interrupt and set the IBLBA\_IS bit (**INTS0, 18H...**) to '1'. The IBLBA\_IS bit will be reset to '0' after being read.

When the IBLBD\_IES bit (**INTES, 15H...**) is set to '0', only the '0' to '1' transition of the IBLBD\_S bit will generate an interrupt and set the IBLBD\_IS bit (**INTS0, 18H...**) to '1'. When the IBLBD\_IES bit is set to '1', any changes of the IBLBD\_S bit will generate an interrupt and set the IBLBD\_IS bit (**INTS0, 18H...**) to '1'. The IBLBD\_IS bit will be reset to '0' after being read.

### 3.8.4.3 Automatic Remote Loopback

When ARLP bit (**MAINT1, 0DH...**) is set to '1', the corresponding channel is configured into the Automatic Remote Loopback mode. In this mode, if the Activate Loopback Code has been detected in the receive data for more than 5.1 s, the Remote Loopback (shown as [Figure-17](#)) will be established automatically, and the RLP\_S bit (**STAT1, 17H...**) will be set to '1' to indicate the establishment of the Remote Loopback. The IBLBA\_S bit (**STAT0, 16H...**) is set to '1' to generate an interrupt. In this case, the Remote

Loopback mode will still be kept even if the receiver stop receiving the Activate Loopback Code.

If the Deactivate Loopback Code has been detected in the receive data for more than 5.1 s, the Remote Loopback will be demolished automatically, and the RLP\_S bit (**STAT1, 17H...**) will set to '0' to indicate the demolition of the Remote Loopback. The IBLBD\_S bit (**STAT0, 16H...**) is set to '1' to generate an interrupt.

The Remote Loopback can also be demolished forcedly by setting ARLP bit (**MAINT1, 0DH...**) to '0'.

### 3.9 ERROR DETECTION/COUNTING AND INSERTION

#### 3.9.1 DEFINITION OF LINE CODING ERROR

The following line encoding errors can be detected and counted by the IDT82V2082:

- Received Bipolar Violation (BPV) Error: In AMI coding, when two consecutive pulses of the same polarity are received, a BPV error is declared.
- HDB3/B8ZS Code Violation (CV) Error: In HDB3/B8ZS coding, a CV error is declared when two consecutive BPV errors are

detected, and the pulses that have the same polarity as the previous pulse are not the HDB3/B8ZS zero substitution pulses.

- Excess Zero (EXZ) Error: There are two standards defining the EXZ errors: ANSI and FCC. The EXZ\_DEF bit (MAINT6, 12H...) chooses which standard will be adopted by the corresponding channel to judge the EXZ error. Table-21 shows definition of EXZ. In hardware control mode, only ANSI standard is adopted.

Table-21 EXZ Definition

|      | EXZ Definition                              |   |
|------|---|---|
|      | ANSI  | FCC   |
| AMI  | More than 15 consecutive zeros are detected | More than 80 consecutive zeros are detected |
| HDB3 | More than 3 consecutive zeros are detected  | More than 3 consecutive zeros are detected  |
| B8ZS | More than 7 consecutive zeros are detected  | More than 7 consecutive zeros are detected  |

#### 3.9.2 ERROR DETECTION AND COUNTING

Which type of the receiving errors (Received CV/BPV errors, excess zero errors and PRBS logic errors) will be counted is determined by ERR\_SEL[1:0] bits (MAINT6, 12H...). Only one type of receiving error can be counted at a time except that when the ERR\_SEL[1:0] bits are set to '11', both CV/BPV and EXZ errors will be detected and counted.

The selected type of receiving errors is counted in an internal 16-bit Error Counter. Once an error is detected, an error interrupt which is indicated by corresponding bit in (INTS1, 19H...) will be generated if it is not masked. This Error Counter can be operated in two modes: Auto Report Mode and Manual Report Mode, as selected by the CNT\_MD bit (MAINT6, 12H...). In Single Rail mode, once BPV or CV errors are detected, the CVn pin will be driven to high for one RCLK period.

##### • Auto Report Mode

In Auto Report Mode, the internal counter starts to count the received errors when the CNT\_MD bit (MAINT6, 12H...) is set to '1'. A one-second timer is used to set the counting period. The received errors are counted within one second. If the one-second timer expires, the value in the internal counter will be transferred to (CNT0, 1AH...) and (CNT1, 1BH...), then the internal counter will be reset and start to count received errors for the next second. The errors occurred during the transfer will be accumulated to the next round. The expiration of the one-second timer will set TMOV\_IS bit (INTS1, 19H...) to '1', and will generate an interrupt if the TIMER\_IM bit (INTM1, 14H...) is set to '0'. The TMOV\_IS bit (INTS1, 19H...) will be cleared after the interrupt register is read. The content in the (CNT0, 1AH...) and (CNT1, 1BH...) should be read within the next second. If the counter overflows, a counter overflow interrupt which is indicated by CNT\_OV\_IS bit (INTS1, 19H...) will be generated if it is not masked by CNT\_IM bit (INTM1, 14H...).

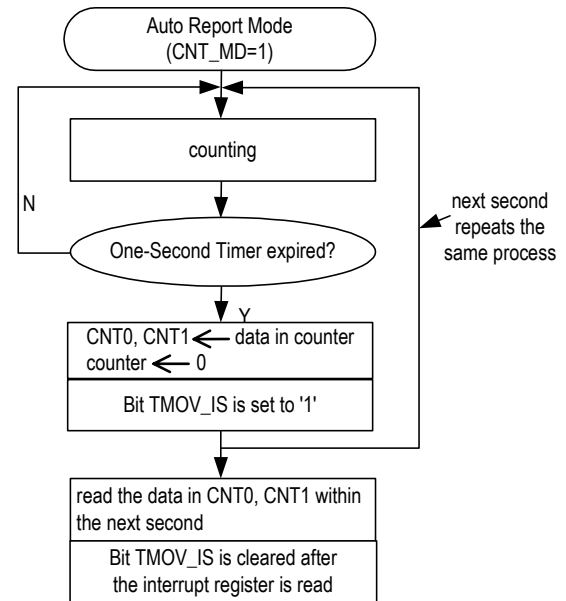
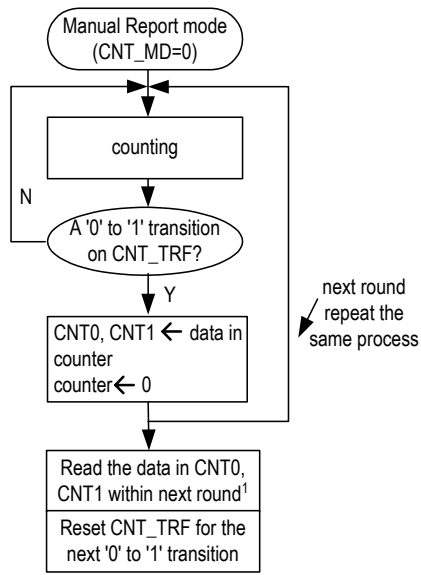


Figure-18 Auto Report Mode

##### • Manual Report Mode

In Manual Report Mode, the internal Error Counter starts to count the received errors when the CNT\_MD bit (MAINT6, 12H...) is set to '0'. When there is a '0' to '1' transition on the CNT\_TRF bit (MAINT6, 12H...), the data in the counter will be transferred to (CNT0, 1AH...) and (CNT1, 1BH...), then the counter will be reset. The errors occurred during the transfer will be accumulated to the next round. If the counter overflows, a counter overflow interrupt indicated by CNT\_OV\_IS bit (INTS1, 19H...) will be generated if it is not masked by CNT\_IM bit (INTM1, 14H...).



**Figure-19 Manual Report Mode**

**Note:** It is recommended that users should do the followings within next round of error counting: Read the data in CNT0 and CNT1; Reset CNT\_TRF bit for the next '0' to '1' transition on this bit.

### 3.9.3 BIPOLAR VIOLATION AND PRBS ERROR INSERTION

Only when three consecutive '1's are detected in the transmit data stream, will a '0' to '1' transition on the BPV\_INS bit (**MAINT6, 12H...**) generate a bipolar violation pulse, and the polarity of the second '1' in the series will be inverted.

A '0' to '1' transition on the EER\_INS bit (**MAINT6, 12H...**) will generate a logic error during the PRBS/QRSS transmission.

### 3.10 LINE DRIVER FAILURE MONITORING

The transmit driver failure monitor can be enabled or disabled by setting DFM\_OFF bit (**TCF1, 05H...**). If the transmit driver failure monitor is enabled, the transmit driver failure will be captured by DF\_S bit (**STAT0, 16H...**). The transition of the DF\_S bit is reflected by DF\_IS bit (**INTS0, 18H...**), and, if enabled by DF\_IM bit (**INTM0, 13H...**), will generate an interrupt. When there is a short circuit on the TTIPn/TRINGn port, the output current will be limited to 100 mA (typical), and an interrupt will be generated.

In hardware control mode, the transmit driver failure monitor is always enabled.



### 3.11 MCLK AND TCLK

#### 3.11.1 MASTER CLOCK (MCLK)

MCLK is an independent, free-running reference clock. MCLK is 1.544 MHz for T1/J1 applications and 2.048 MHz in E1 mode. This reference clock is used to generate several internal reference signals:

- Timing reference for the integrated clock recovery unit.
- Timing reference for the integrated digital jitter attenuator.
- Timing reference for microcontroller interface.
- Generation of RCLK signal during a loss of signal condition if AIS is enabled.
- Reference clock during Transmit All Ones (TAOS), all zeros, PRBS/QRSS and Inband Loopback code if it is selected as the reference clock. For ATA0 and AIS, MCLK is always used as the reference clock.
- Reference clock during Transmit All Ones (TAO) condition or sending PRBS/QRSS in hardware control mode.

Figure-20 shows the chip operation status in different conditions of MCLK and TCLKn. The missing of MCLK will set all the TTIPn/TRINGn to high impedance state.

#### 3.11.2 TRANSMIT CLOCK (TCLK)

TCLKn is used to sample the transmit data on TDn/TDPn, TDNn. The active edge of TCLKn can be selected by the TCLK\_SEL bit (TCF0, 04H...). During Transmit All Ones, PRBS/QRSS patterns or Inband Loopback Code, either TCLKn or MCLK can be used as the reference clock. This is selected by the PATT\_CLK bit (MAINT0, 0CH...).

But for Automatic Transmit All Ones and AIS, only MCLK is used as the reference clock and the PATT\_CLK bit is ignored. In Automatic Transmit All Ones condition, the ATA0 bit (MAINT0, 0CH) is set to '1'. In AIS condition, the AISE bit (MAINT0, 0CH) is set to '1'.

If TCLKn has been missing for more than 70 MCLK cycles, TCLK\_LOS bit (STAT0, 16H...) will be set, and the corresponding TTIPn/TRINGn will become high impedance if this channel is not used for remote loopback or is not using MCLK to transmit internal patterns (TAOS, All Zeros, PRBS and in-band loopback code). When TCLK is detected again, TCLK\_LOS bit (STAT0, 16H...) will be cleared. The reference frequency to detect a TCLK loss is derived from MCLK.

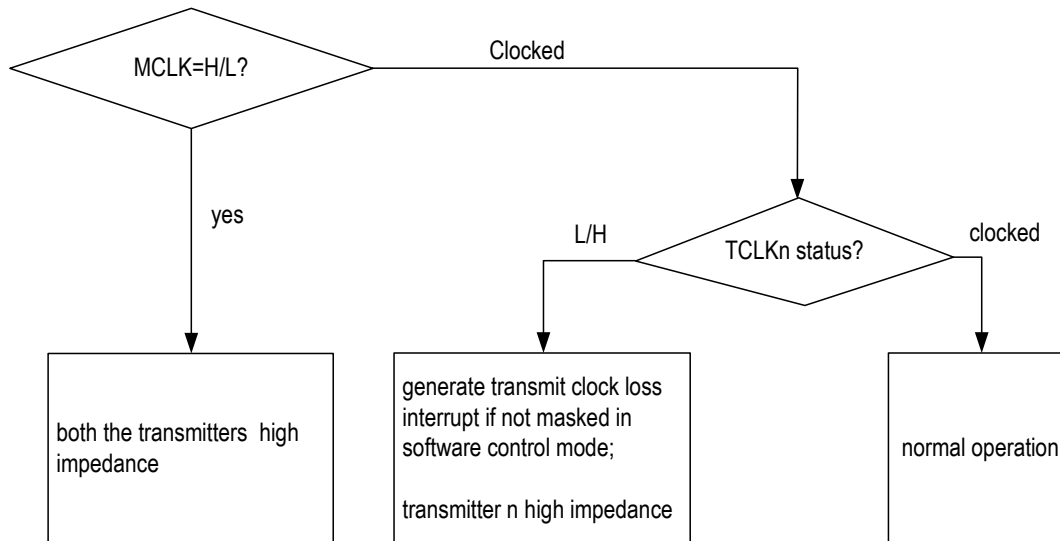


Figure-20 TCLK Operation Flowchart

### 3.12 MICROCONTROLLER INTERFACES

The microcontroller interface provides access to read and write the registers in the device. The chip supports serial microcontroller interface and two kinds of parallel microcontroller interface: Motorola non-Multiplexed mode and Intel non-Multiplexed mode. Different microcontroller interfaces can be selected by setting MODE[1:0] pins to different values. Refer to [MODE1](#) and [MODE0](#) in pin description and [8 MICROCONTROLLER INTERFACE TIMING CHARACTERISTICS](#) for details

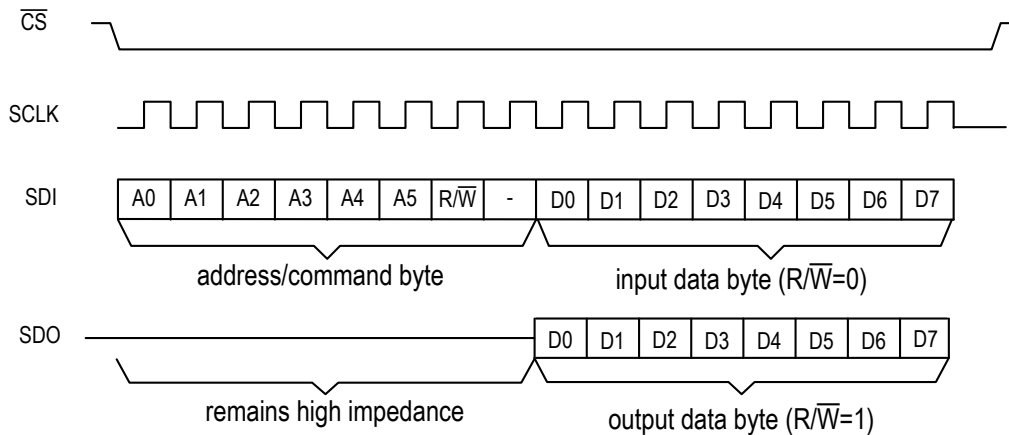
#### 3.12.1 PARALLEL MICROCONTROLLER INTERFACE

The interface is compatible with Motorola or Intel microcontroller. When MODE[1:0] pins are set to '10', Parallel-non-Multiplexed-Motorola interface

is selected. When MODE[1:0] pins are set to '11', Parallel-non-Multiplexed-Intel Interface is selected. Refer to [8 MICROCONTROLLER INTERFACE TIMING CHARACTERISTICS](#) for details.

#### 3.12.2 SERIAL MICROCONTROLLER INTERFACE

When MODE[1:0] pins are set to '01', Serial Interface is selected. In this mode, the registers are programmed through a 16-bit word which contains an 8-bit address/command byte (6 address bits A0~A5 and bit R/W) and an 8-bit data byte (D0~D7). When bit R/W is '1', data is read out from pin SDO. When bit R/W is '0', data is written into SDI pin. Refer to [Figure-21](#).



**Figure-21 Serial Microcontroller Interface Function Timing**

### 3.13 INTERRUPT HANDLING

All kinds of interrupt of the IDT82V2082 are indicated by the  $\overline{\text{INT}}$  pin. When the INT\_PIN[0] bit (**GCF, 20H**) is '0', the  $\overline{\text{INT}}$  pin is open drain active low, with a 10 K $\Omega$  external pull-up resistor. When the INT\_PIN[1:0] bits (**GCF, 20H**) are '01', the  $\overline{\text{INT}}$  pin is push-pull active low; when the INT\_PIN[1:0] bits are '10', the  $\overline{\text{INT}}$  pin is push-pull active high.

All the interrupt can be disabled by the INTM\_GLB bit (**GCF, 20H**). When the INTM\_GLB bit (**GCF, 20H**) is set to '0', an active level on the  $\overline{\text{INT}}$  pin represents an interrupt of the IDT82V2082. The INT\_CH[1:0] (**GCF, 20H**) should be read to identify which channel(s) generate the interrupt.

The interrupt event is captured by the corresponding bit in the Interrupt Status Register (**INTS0, 18H...**) or (**INTS1, 19H...**). Every kind of interrupt can be enabled/disabled individually by the corresponding bit in the register (**INTM0, 13H...**) or (**INTM1, 14H...**). Some event is reflected by the corresponding bit in the Status Register (**STAT0, 16H...**) or (**STAT1, 17H...**), and the Interrupt Trigger Edge Selection Register can be used to determine how the Status Register sets the Interrupt Status Register.

After the Interrupt Status Register (**INTS0, 18H...**) or (**INTS1, 19H...**) is read, the corresponding bit indicating which channel generates the interrupt in the **INTCH** register (**21H**) will be reset. Only when all the pending interrupt is acknowledged through reading the Interrupt Status Registers

of all the channels (**INTS0, 18H...**) or (**INTS1, 19H...**) will all the bits in the **INTCH** register (**21H**) be reset and the  $\overline{\text{INT}}$  pin become inactive.

There are totally fourteen kinds of events that could be the interrupt source for one channel:

- (1).LOS Detected
- (2).AIS Detected
- (3).Driver Failure Detected
- (4).TCLK Loss
- (5).Synchronization Status of PRBS
- (6).PRBS Error Detected
- (7).Code Violation Received
- (8).Excessive Zeros Received
- (9).JA FIFO Overflow/Underflow
- (10).Inband Loopback Code Status
- (11).Equalizer Out of Range
- (12).One-Second Timer Expired
- (13). Error Counter Overflow
- (14).Arbitrary Waveform Generator Overflow

**Table-22** is a summary of all kinds of interrupt and the associated Status bit, Interrupt Status bit, Interrupt Trigger Edge Selection bit and Interrupt Mask bit.

**Table-22 Interrupt Event**

| Interrupt Event                        | Status bit<br>(STAT0, STAT1) | Interrupt Status bit<br>(INTS0, INTS1) | Interrupt Edge Selection<br>bit<br>(INTES) | Interrupt Mask bit<br>(INTM0, INTM1) |
|--|------------------------------|--|--|--------------------------------------|
| LOS Detected                           | LOS_S                        | LOS_IS                                 | LOS_IES                                    | LOS_IM                               |
| AIS Detected                           | AIS_S                        | AIS_IS                                 | AIS_IES                                    | AIS_IM                               |
| Driver Failure Detected                | DF_S                         | DF_IS                                  | DF_IES                                     | DF_IM                                |
| TCLK Loss                              | TCLK_LOS                     | TCLK_LOS_IS                            | TCLK_IES                                   | TCLK_IM                              |
| Synchronization Status of PRBS/QRSS    | PRBS_S                       | PRBS_IS                                | PRBS_IES                                   | PRBS_IM                              |
| PRBS/QRSS Error                        |                              | ERR_IS                                 |  | ERR_IM                               |
| Code Violation Received                |                              | CV_IS                                  |  | CV_IM                                |
| Excessive Zeros Received               |                              | EXZ_IS                                 |  | EXZ_IM                               |
| JA FIFO Overflow                       |                              | JAOV_IS                                |  | JAOV_IM                              |
| JA FIFO Underflow                      |                              | JAUD_IS                                |  | JAUD_IM                              |
| Equalizer Out of Range                 | EQ_S                         | EQ_IS                                  | EQ_IES                                     | EQ_IM                                |
| Inband Loopback Activate Code Status   | IBLBA_S                      | IBLBA_IS                               | IBLBA_IES                                  | IBLBA_IM                             |
| Inband Loopback Deactivate Code Status | IBLBD_S                      | IBLBD_IS                               | IBLBD_IES                                  | IBLBD_IM                             |
| One-Second Timer Expired               |                              | TMOV_IS                                |  | TIMER_IM                             |
| Error Counter Overflow                 |                              | CNT_OV_IS                              |  | CNT_IM                               |
| Arbitrary Waveform Generator Overflow  |                              | DAC_OV_IS                              |  | DAC_OV_IM                            |

### 3.14 5V TOLERANT I/O PINS

All digital input pins will tolerate  $5.0 \pm 10\%$  volts and are compatible with TTL logic.

### 3.15 RESET OPERATION

The chip can be reset in two ways:

- Software Reset: Writing to the **RST** register (**01H**) will reset the chip in 1  $\mu$ s.
- Hardware Reset: Asserting the  $\overline{\text{RST}}$  pin low for a minimum of 100 ns will reset the chip.

During Hardware Reset, the device requires an active clock on MCLK. For T1/J1 operation, bit T1E1 (**GCF0**) is set after reset. Before accessing any other registers a delay of 50  $\mu$ s is required to allow the internal clocking to be settled.

After reset, all drivers output are in high impedance state, all the internal flip-flops are reset, and all the registers are initialized to default values. When performing a software reset, the T1E1 bit (**GCF0**) will not be reset and stay with the set value.

### 3.16 POWER SUPPLY

This chip uses a single 3.3 V power supply.

## 4 PROGRAMMING INFORMATION

### 4.1 REGISTER LIST AND MAP

The IDT82V2082 registers can be divided into Global Registers and Local Registers. The operation on the Global Registers affects both of the two channels while the operation on Local Registers only affects the specific channel. For different channel, the address of Local Register is different. Table-23 is the map of Global Registers and Table-24 is the map of Local Registers. If the configuration of both of the two channels is the same, the COPY bit (**GCF, 20H**) can be set to '1' to establish the Broadcasting mode. In the Broadcasting mode, the Writing operation on any of the two

channels' registers will be copied to the corresponding registers of the other channel.

### 4.2 Reserved Registers

When writing to registers with reserved bit locations, the default state must be written to the reserved bits to ensure proper device operation.

**Table-23 Global Register List and Map**

| Address (hex) |     | Register | R/W | MAP   |       |     |      |      |          |          |          |
|---------------|-----|----------|-----|-------|-------|-----|------|------|----------|----------|----------|
| CH1           | CH2 |          |     | b7    | b6    | b5  | b4   | b3   | b2       | b1       | b0       |
| 00            |     | ID       | R   | ID7   | ID6   | ID5 | ID4  | ID3  | ID2      | ID1      | ID0      |
| 01            |     | RST      | W   |       |       |     |      |      |          |          |          |
| 20            |     | GCF      | R/W | MONT1 | MONT0 | -   | T1E1 | COPY | INTM_GLB | INT_PIN1 | INT_PIN0 |
| 21            |     | INTCH    | R   | -     | -     | -   | -    | -    | -        | INT_CH2  | INT_CH1  |

Table-24 Per Channel Register List and Map

| Address (hex)                                    |     | Register | R/W | MAP       |           |           |          |             |           |           |           |
|--|-----|----------|-----|-----------|-----------|-----------|----------|-------------|-----------|-----------|-----------|
| CH1  | CH2 |          |     | b7        | b6        | b5        | b4       | b3          | b2        | b1        | b0        |
| <i>Transmit and receive termination register</i> |     |          |     |           |           |           |          |             |           |           |           |
| 02   | 22  | TERM     | R/W | -         | -         | T_TERM2   | T_TERM1  | T_TERM0     | R_TERM2   | R_TERM1   | R_TERM0   |
| <i>Jitter attenuation control register</i>       |     |          |     |           |           |           |          |             |           |           |           |
| 03   | 23  | JACF     | R/W | -         | -         | JA_LIMIT  | JACF1    | JACF0       | JADP1     | JADP0     | JABW      |
| <i>Transmit path control registers</i>           |     |          |     |           |           |           |          |             |           |           |           |
| 04   | 24  | TCF0     | R/W | -         | -         | -         | T_OFF    | TD_INV      | TCLK_SEL  | T_MD1     | T_MD0     |
| 05   | 25  | TCF1     | R/W | -         | -         | DFM_OFF   | THZ      | PULS3       | PULS2     | PULS1     | PULS0     |
| 06   | 26  | TCF2     | R/W | -         | -         | SCAL5     | SCAL4    | SCAL3       | SCAL2     | SCAL1     | SCAL0     |
| 07   | 27  | TCF3     | R/W | DONE      | RW        | UI1       | UI0      | SAMP3       | SAMP2     | SAMP1     | SAMP0     |
| 08   | 28  | TCF4     | R/W | -         | WDAT6     | WDAT5     | WDAT4    | WDAT3       | WDAT2     | WDAT1     | WDAT0     |
| <i>Receive path control registers</i>            |     |          |     |           |           |           |          |             |           |           |           |
| 09   | 29  | RCF0     | R/W | -         | -         | -         | R_OFF    | RD_INV      | RCLK_SEL  | R_MD1     | R_MD0     |
| 0A   | 2A  | RCF1     | R/W | -         | EQ_ON     | -         | LOS4     | LOS3        | LOS2      | LOS1      | LOS0      |
| 0B   | 2B  | RCF2     | R/W | -         | -         | SLICE1    | SLICE0   | UPDW1       | UPDW0     | MG1       | MG0       |
| <i>Network Diagnostics control registers</i>     |     |          |     |           |           |           |          |             |           |           |           |
| 0C   | 2C  | MAINT0   | R/W | -         | PATT1     | PATT0     | PATT_CLK | PRBS_INV    | LAC       | AISE      | ATAO      |
| 0D   | 2D  | MAINT1   |     | -         | -         | -         | -        | ARLP        | RLP       | ALP       | DLP       |
| 0E   | 2E  | MAINT2   | R/W | -         | -         | TIBLB_L1  | TIBLB_L0 | RIBLBA_L1   | RIBLBA_L0 | RIBLBD_L1 | RIBLBD_L0 |
| 0F   | 2F  | MAINT3   | R/W | TIBLB7    | TIBLB6    | TIBLB5    | TIBLB4   | TIBLB3      | TIBLB2    | TIBLB1    | TIBLB0    |
| 10   | 30  | MAINT4   | R/W | RIBLBA7   | RIBLBA6   | RIBLBA5   | RIBLBA4  | RIBLBA3     | RIBLBA2   | RIBLBA1   | RIBLBA0   |
| 11   | 31  | MAINT5   | R/W | RIBLBD7   | RIBLBD6   | RIBLBD5   | RIBLBD4  | RIBLBD3     | RIBLBD2   | RIBLBD1   | RIBLBD0   |
| 12   | 32  | MAINT6   | R/W | -         | BPV_INS   | ERR_INS   | EXZ_DEF  | ERR_SEL1    | ERR_SEL0  | CNT_MD    | CNT_TRF   |
| <i>Interrupt control registers</i>               |     |          |     |           |           |           |          |             |           |           |           |
| 13   | 33  | INTM0    | R/W | EQ_IM     | IBLBA_IM  | IBLBD_IM  | PRBS_IM  | TCLK_IM     | DF_IM     | AIS_IM    | LOS_IM    |
| 14   | 34  | INTM1    | R/W | DAC_OV_IM | JAOV_IM   | JAUD_IM   | ERR_IM   | EXZ_IM      | CV_IM     | TIMER_IM  | CNT_IM    |
| 15   | 35  | INTES    | R/W | EQ_IES    | IBLBA_IES | IBLBD_IES | PRBS_IES | TCLK_IES    | DF_IES    | AIS_IES   | LOS_IES   |
| <i>Line status registers</i>                     |     |          |     |           |           |           |          |             |           |           |           |
| 16   | 36  | STAT0    | R   | EQ_S      | IBLBA_S   | IBLBD_S   | PRBS_S   | TCLK_LOS    | DF_S      | AIS_S     | LOS_S     |
| 17   | 37  | STAT1    | R   | -         | -         | RLP_S     | LATT4    | LATT3       | LATT2     | LATT1     | LATT0     |
| <i>Interrupt status registers</i>                |     |          |     |           |           |           |          |             |           |           |           |
| 18   | 38  | INTS0    | R   | EQ_IS     | IBLBA_IS  | IBLBD_IS  | PRBS_IS  | TCLK_LOS_IS | DF_IS     | AIS_IS    | LOS_IS    |
| 19   | 39  | INTS1    | R   | DAC_OV_IS | JAOV_IS   | JAUD_IS   | ERR_IS   | EXZ_IS      | CV_IS     | TMOV_IS   | CNT_OV_IS |
| <i>Counter registers</i>                         |     |          |     |           |           |           |          |             |           |           |           |
| 1A   | 3A  | CNT0     | R   | Bit7      | Bit6      | Bit5      | Bit4     | Bit3        | Bit2      | Bit1      | Bit0      |
| 1B   | 3B  | CNT1     | R   | Bit15     | Bit14     | Bit13     | Bit12    | Bit11       | Bit10     | Bit9      | Bit8      |

## 4.3 REGISTER DESCRIPTION

### 4.3.1 GLOBAL REGISTERS

**Table-25 ID:** Device Revision Register  
(R, Address = 00H)

| Symbol  | Bit | Default | Description              |
|---------|-----|---------|--------------------------|
| ID[7:0] | 7-0 | 00H     | Current Silicon Chip ID. |

**Table-26 RST:** Reset Register  
(W, Address = 01H)

| Symbol   | Bit | Default | Description   |
|----------|-----|---------|---|
| RST[7:0] | 7-0 | 00H     | Software reset. A write operation on this register will reset all internal registers to their default values, and the status of all ports are set to the default status. The content in this register can not be changed. After reset, all drivers output are in high impedance state. Note: Bit T1E1 (GCF0) will keep set value and will not be reset. |

**Table-27 GCF:** Global Configuration Register  
(R/W, Address = 20H)

| Symbol       | Bit | Default | Description   |
|--------------|-----|---------|---|
| MONT[1:0]    | 7-6 | 00      | G.772 monitor<br>= 00/10: Normal<br>= 01: Receiver 1 monitors the receive path of channel 2<br>= 11: Receiver 1 monitors the transmit path of channel 2   |
| -            | 5   | 0       | Reserved.   |
| T1E1         | 4   | 0       | This bit selects the E1 or T1/J1 operation mode globally.<br>= 0: E1 mode is selected.<br>= 1: T1/J1 mode is selected.<br>Note: After bit T1E1 is changed: Before accessing any other registers a delay of 50us is required to allow the internal clocking to be settled. |
| COPY         | 3   | 0       | Enable broadcasting mode.<br>= 0: Broadcasting mode disabled<br>= 1: Broadcasting mode enabled. Writing operation on one channel's register will be copied exactly to the corresponding registers in other channel.   |
| INTM_GLB     | 2   | 1       | Global interrupt enable<br>= 0: Interrupt is globally enabled. But for each individual interrupt, it still can be disabled by its corresponding Interrupt mask Bit.<br>= 1: All the interrupts are disabled for both channels.  |
| INT_PIN[1:0] | 1-0 | 00      | Interrupt pin control<br>= x0: Open drain, active low (with an external pull-up resistor)<br>= 01: Push-pull, active low<br>= 11: Push-pull, active high  |

**Table-28 INTCH:** Interrupt Channel Indication Register  
(R, Address =21H)

| Symbol      | Bit | Default | Description   |
|-------------|-----|---------|---|
| -           | 7-2 | 000000  | Reserved.   |
| INT_CH[1:0] | 1-0 | 00      | INT_CH[n]=0 indicates that an interrupt was generated by channel [n+1]. |

### 4.3.2 TRANSMIT AND RECEIVE TERMINATION REGISTER

**Table-29 TERM:** Transmit and Receive Termination Configuration Register  
(R/W, Address = 02H, 22H)

| Symbol      | Bit | Default | Description  |
|-------------|-----|---------|--|
| -           | 7-6 | 00      | Reserved.  |
| T_TERM[2:0] | 5-3 | 000     | These bits select the internal termination for transmit line impedance matching.<br>= 000: Internal 75 $\Omega$ impedance matching<br>= 001: Internal 120 $\Omega$ impedance matching<br>= 010: Internal 100 $\Omega$ impedance matching<br>= 011: Internal 110 $\Omega$ impedance matching<br>= 1xx: Selects external impedance matching resistors for E1 mode only. T1/J1 does not require external impedance resistors (see <a href="#">Table-14</a> ). |
| R_TERM[2:0] | 2-0 | 000     | These bits select the internal termination for receive line impedance matching.<br>= 000: Internal 75 $\Omega$ impedance matching<br>= 001: Internal 120 $\Omega$ impedance matching<br>= 010: Internal 100 $\Omega$ impedance matching<br>= 011: Internal 110 $\Omega$ impedance matching<br>= 1xx: Selects external impedance matching resistors (see <a href="#">Table-15</a> ).  |

### 4.3.3 JITTER ATTENUATION CONTROL REGISTER

**Table-30 JACF:** Jitter Attenuation Configuration Register  
(R/W, Address = 03H, 23H)

| Symbol    | Bit | Default | Description  |
|-----------|-----|---------|--|
| -         | 7-6 | 00      | Reserved.  |
| JA_LIMIT  | 5   | 1       | = 0: Normal mode<br>= 1: JA limit mode   |
| JACF[1:0] | 4-3 | 00      | Jitter Attenuation configuration<br>= 00/10: JA not used<br>= 01: JA in transmit path<br>= 11: JA in receive path        |
| JADP[1:0] | 2-1 | 00      | Jitter Attenuation depth select<br>= 00: 128 bits<br>= 01: 64 bits<br>= 1x: 32 bits                                      |
| JABW      | 0   | 0       | Jitter transfer function bandwidth select<br><br>= 0: 6.8 Hz (E1)<br>5 Hz (T1/J1)<br>= 1: 0.9 Hz (E1)<br>1.25 Hz (T1/J1) |



## 4.3.4 TRANSMIT PATH CONTROL REGISTERS

**Table-31 TCF0: Transmitter Configuration Register 0**  
(R/W, Address = 04H, 24H)

| Symbol    | Bit | Default | Description  |
|-----------|-----|---------|--|
| -         | 7-5 | 000     | Reserved   |
| T_OFF     | 4   | 0       | Transmitter power down enable<br>= 0: Transmitter power up<br>= 1: Transmitter power down (line driver high impedance)   |
| TD_INV    | 3   | 0       | Transmit data invert<br>= 0: Data on TDn or TDPn/TDNn is active high<br>= 1: Data on TDn or TDPn/TDNn is active low  |
| TCLK_SEL  | 2   | 0       | Transmit clock edge select<br>= 0: Data on TDPn/TDNn is sampled on the falling edge of TCLKn<br>= 1: Data on TDPn/TDNn is sampled on the rising edge of TCLKn  |
| T_MD[1:0] | 0-1 | 00      | Transmitter operation mode control<br>T_MD[1:0] select different stages of the transmit data path<br>= 00: Enable HDB3/B8ZS encoder and waveform shaper blocks. Input on pin TDn is single rail NRZ data<br>= 01: Enable AMI encoder and waveform shaper blocks. Input on pin TDn is single rail NRZ data<br>= 1x: Encoder is bypassed, dual rail NRZ transmit data input on pin TDPn/TDNn |

**Table-32 TCF1: Transmitter Configuration Register 1**  
(R/W, Address = 05H, 25H)

| Symbol            | Bit                                | Default   | Description  |                    |                      |      |                 |                    |                      |                   |    |           |      |   |         |      |    |           |       |   |         |      |      |           |       |          |          |      |      |           |       |            |            |      |      |           |       |            |            |      |      |           |       |            |            |      |      |           |       |            |            |      |    |           |       |          |          |      |     |           |       |          |         |      |     |           |       |             |           |      |     |           |       |              |         |      |     |           |       |              |           |      |                                    |  |  |  |  |
|-------------------|------------------------------------|-----------|--|--------------------|----------------------|------|-----------------|--------------------|----------------------|-------------------|----|-----------|------|---|---------|------|----|-----------|-------|---|---------|------|------|-----------|-------|----------|----------|------|------|-----------|-------|------------|------------|------|------|-----------|-------|------------|------------|------|------|-----------|-------|------------|------------|------|------|-----------|-------|------------|------------|------|----|-----------|-------|----------|----------|------|-----|-----------|-------|----------|---------|------|-----|-----------|-------|-------------|-----------|------|-----|-----------|-------|--------------|---------|------|-----|-----------|-------|--------------|-----------|------|------------------------------------|--|--|--|--|
| -                 | 7-6                                | 00        | Reserved. This bit should be '0' for normal operation.   |                    |                      |      |                 |                    |                      |                   |    |           |      |   |         |      |    |           |       |   |         |      |      |           |       |          |          |      |      |           |       |            |            |      |      |           |       |            |            |      |      |           |       |            |            |      |      |           |       |            |            |      |    |           |       |          |          |      |     |           |       |          |         |      |     |           |       |             |           |      |     |           |       |              |         |      |     |           |       |              |           |      |                                    |  |  |  |  |
| DFM_OFF           | 5                                  | 0         | Transmit driver failure monitor disable<br>= 0: DFM is enabled<br>= 1: DFM is disabled   |                    |                      |      |                 |                    |                      |                   |    |           |      |   |         |      |    |           |       |   |         |      |      |           |       |          |          |      |      |           |       |            |            |      |      |           |       |            |            |      |      |           |       |            |            |      |      |           |       |            |            |      |    |           |       |          |          |      |     |           |       |          |         |      |     |           |       |             |           |      |     |           |       |              |         |      |     |           |       |              |           |      |                                    |  |  |  |  |
| THZ               | 4                                  | 1         | Transmit line driver high impedance enable<br>= 0: Normal state<br>= 1: Transmit line driver high impedance enable (other transmit path still work normally).  |                    |                      |      |                 |                    |                      |                   |    |           |      |   |         |      |    |           |       |   |         |      |      |           |       |          |          |      |      |           |       |            |            |      |      |           |       |            |            |      |      |           |       |            |            |      |      |           |       |            |            |      |    |           |       |          |          |      |     |           |       |          |         |      |     |           |       |             |           |      |     |           |       |              |         |      |     |           |       |              |           |      |                                    |  |  |  |  |
| PULS[3:0]         | 3-0                                | 0000      | These bits select the transmit template/LBO for short-haul/long-haul applications.   |                    |                      |      |                 |                    |                      |                   |    |           |      |   |         |      |    |           |       |   |         |      |      |           |       |          |          |      |      |           |       |            |            |      |      |           |       |            |            |      |      |           |       |            |            |      |      |           |       |            |            |      |    |           |       |          |          |      |     |           |       |          |         |      |     |           |       |             |           |      |     |           |       |              |         |      |     |           |       |              |           |      |                                    |  |  |  |  |
|                   |                                    |           | <table border="1"> <thead> <tr> <th></th> <th>T1/E1/J1</th> <th>TCLK</th> <th>Cable impedance</th> <th>Cable range or LBO</th> <th>Allowable Cable loss</th> </tr> </thead> <tbody> <tr> <td>0000<sup>1</sup></td> <td>E1</td> <td>2.048 MHz</td> <td>75 Ω</td> <td>-</td> <td>0-43 dB</td> </tr> <tr> <td>0001</td> <td>E1</td> <td>2.048 MHz</td> <td>120 Ω</td> <td>-</td> <td>0-43 dB</td> </tr> <tr> <td>0010</td> <td>DSX1</td> <td>1.544 MHz</td> <td>100 Ω</td> <td>0-133 ft</td> <td>0-0.6 dB</td> </tr> <tr> <td>0011</td> <td>DSX1</td> <td>1.544 MHz</td> <td>100 Ω</td> <td>133-266 ft</td> <td>0.6-1.2 dB</td> </tr> <tr> <td>0100</td> <td>DSX1</td> <td>1.544 MHz</td> <td>100 Ω</td> <td>266-399 ft</td> <td>1.2-1.8 dB</td> </tr> <tr> <td>0101</td> <td>DSX1</td> <td>1.544 MHz</td> <td>100 Ω</td> <td>399-533 ft</td> <td>1.8-2.4 dB</td> </tr> <tr> <td>0110</td> <td>DSX1</td> <td>1.544 MHz</td> <td>100 Ω</td> <td>533-655 ft</td> <td>2.4-3.0 dB</td> </tr> <tr> <td>0111</td> <td>J1</td> <td>1.544 MHz</td> <td>110 Ω</td> <td>0-655 ft</td> <td>0-3.0 dB</td> </tr> <tr> <td>1000</td> <td>DS1</td> <td>1.544 MHz</td> <td>100 Ω</td> <td>0 dB LBO</td> <td>0-36 dB</td> </tr> <tr> <td>1001</td> <td>DS1</td> <td>1.544 MHz</td> <td>100 Ω</td> <td>-7.5 dB LBO</td> <td>0-28.5 dB</td> </tr> <tr> <td>1010</td> <td>DS1</td> <td>1.544 MHz</td> <td>100 Ω</td> <td>-15.0 dB LBO</td> <td>0-21 dB</td> </tr> <tr> <td>1011</td> <td>DS1</td> <td>1.544 MHz</td> <td>100 Ω</td> <td>-22.5 dB LBO</td> <td>0-13.5 dB</td> </tr> <tr> <td>11xx</td> <td colspan="5">User programmable waveform setting</td> </tr> </tbody> </table> |                    | T1/E1/J1             | TCLK | Cable impedance | Cable range or LBO | Allowable Cable loss | 0000 <sup>1</sup> | E1 | 2.048 MHz | 75 Ω | - | 0-43 dB | 0001 | E1 | 2.048 MHz | 120 Ω | - | 0-43 dB | 0010 | DSX1 | 1.544 MHz | 100 Ω | 0-133 ft | 0-0.6 dB | 0011 | DSX1 | 1.544 MHz | 100 Ω | 133-266 ft | 0.6-1.2 dB | 0100 | DSX1 | 1.544 MHz | 100 Ω | 266-399 ft | 1.2-1.8 dB | 0101 | DSX1 | 1.544 MHz | 100 Ω | 399-533 ft | 1.8-2.4 dB | 0110 | DSX1 | 1.544 MHz | 100 Ω | 533-655 ft | 2.4-3.0 dB | 0111 | J1 | 1.544 MHz | 110 Ω | 0-655 ft | 0-3.0 dB | 1000 | DS1 | 1.544 MHz | 100 Ω | 0 dB LBO | 0-36 dB | 1001 | DS1 | 1.544 MHz | 100 Ω | -7.5 dB LBO | 0-28.5 dB | 1010 | DS1 | 1.544 MHz | 100 Ω | -15.0 dB LBO | 0-21 dB | 1011 | DS1 | 1.544 MHz | 100 Ω | -22.5 dB LBO | 0-13.5 dB | 11xx | User programmable waveform setting |  |  |  |  |
|                   | T1/E1/J1                           | TCLK      | Cable impedance  | Cable range or LBO | Allowable Cable loss |      |                 |                    |                      |                   |    |           |      |   |         |      |    |           |       |   |         |      |      |           |       |          |          |      |      |           |       |            |            |      |      |           |       |            |            |      |      |           |       |            |            |      |      |           |       |            |            |      |    |           |       |          |          |      |     |           |       |          |         |      |     |           |       |             |           |      |     |           |       |              |         |      |     |           |       |              |           |      |                                    |  |  |  |  |
| 0000 <sup>1</sup> | E1                                 | 2.048 MHz | 75 Ω   | -                  | 0-43 dB              |      |                 |                    |                      |                   |    |           |      |   |         |      |    |           |       |   |         |      |      |           |       |          |          |      |      |           |       |            |            |      |      |           |       |            |            |      |      |           |       |            |            |      |      |           |       |            |            |      |    |           |       |          |          |      |     |           |       |          |         |      |     |           |       |             |           |      |     |           |       |              |         |      |     |           |       |              |           |      |                                    |  |  |  |  |
| 0001              | E1                                 | 2.048 MHz | 120 Ω  | -                  | 0-43 dB              |      |                 |                    |                      |                   |    |           |      |   |         |      |    |           |       |   |         |      |      |           |       |          |          |      |      |           |       |            |            |      |      |           |       |            |            |      |      |           |       |            |            |      |      |           |       |            |            |      |    |           |       |          |          |      |     |           |       |          |         |      |     |           |       |             |           |      |     |           |       |              |         |      |     |           |       |              |           |      |                                    |  |  |  |  |
| 0010              | DSX1                               | 1.544 MHz | 100 Ω  | 0-133 ft           | 0-0.6 dB             |      |                 |                    |                      |                   |    |           |      |   |         |      |    |           |       |   |         |      |      |           |       |          |          |      |      |           |       |            |            |      |      |           |       |            |            |      |      |           |       |            |            |      |      |           |       |            |            |      |    |           |       |          |          |      |     |           |       |          |         |      |     |           |       |             |           |      |     |           |       |              |         |      |     |           |       |              |           |      |                                    |  |  |  |  |
| 0011              | DSX1                               | 1.544 MHz | 100 Ω  | 133-266 ft         | 0.6-1.2 dB           |      |                 |                    |                      |                   |    |           |      |   |         |      |    |           |       |   |         |      |      |           |       |          |          |      |      |           |       |            |            |      |      |           |       |            |            |      |      |           |       |            |            |      |      |           |       |            |            |      |    |           |       |          |          |      |     |           |       |          |         |      |     |           |       |             |           |      |     |           |       |              |         |      |     |           |       |              |           |      |                                    |  |  |  |  |
| 0100              | DSX1                               | 1.544 MHz | 100 Ω  | 266-399 ft         | 1.2-1.8 dB           |      |                 |                    |                      |                   |    |           |      |   |         |      |    |           |       |   |         |      |      |           |       |          |          |      |      |           |       |            |            |      |      |           |       |            |            |      |      |           |       |            |            |      |      |           |       |            |            |      |    |           |       |          |          |      |     |           |       |          |         |      |     |           |       |             |           |      |     |           |       |              |         |      |     |           |       |              |           |      |                                    |  |  |  |  |
| 0101              | DSX1                               | 1.544 MHz | 100 Ω  | 399-533 ft         | 1.8-2.4 dB           |      |                 |                    |                      |                   |    |           |      |   |         |      |    |           |       |   |         |      |      |           |       |          |          |      |      |           |       |            |            |      |      |           |       |            |            |      |      |           |       |            |            |      |      |           |       |            |            |      |    |           |       |          |          |      |     |           |       |          |         |      |     |           |       |             |           |      |     |           |       |              |         |      |     |           |       |              |           |      |                                    |  |  |  |  |
| 0110              | DSX1                               | 1.544 MHz | 100 Ω  | 533-655 ft         | 2.4-3.0 dB           |      |                 |                    |                      |                   |    |           |      |   |         |      |    |           |       |   |         |      |      |           |       |          |          |      |      |           |       |            |            |      |      |           |       |            |            |      |      |           |       |            |            |      |      |           |       |            |            |      |    |           |       |          |          |      |     |           |       |          |         |      |     |           |       |             |           |      |     |           |       |              |         |      |     |           |       |              |           |      |                                    |  |  |  |  |
| 0111              | J1                                 | 1.544 MHz | 110 Ω  | 0-655 ft           | 0-3.0 dB             |      |                 |                    |                      |                   |    |           |      |   |         |      |    |           |       |   |         |      |      |           |       |          |          |      |      |           |       |            |            |      |      |           |       |            |            |      |      |           |       |            |            |      |      |           |       |            |            |      |    |           |       |          |          |      |     |           |       |          |         |      |     |           |       |             |           |      |     |           |       |              |         |      |     |           |       |              |           |      |                                    |  |  |  |  |
| 1000              | DS1                                | 1.544 MHz | 100 Ω  | 0 dB LBO           | 0-36 dB              |      |                 |                    |                      |                   |    |           |      |   |         |      |    |           |       |   |         |      |      |           |       |          |          |      |      |           |       |            |            |      |      |           |       |            |            |      |      |           |       |            |            |      |      |           |       |            |            |      |    |           |       |          |          |      |     |           |       |          |         |      |     |           |       |             |           |      |     |           |       |              |         |      |     |           |       |              |           |      |                                    |  |  |  |  |
| 1001              | DS1                                | 1.544 MHz | 100 Ω  | -7.5 dB LBO        | 0-28.5 dB            |      |                 |                    |                      |                   |    |           |      |   |         |      |    |           |       |   |         |      |      |           |       |          |          |      |      |           |       |            |            |      |      |           |       |            |            |      |      |           |       |            |            |      |      |           |       |            |            |      |    |           |       |          |          |      |     |           |       |          |         |      |     |           |       |             |           |      |     |           |       |              |         |      |     |           |       |              |           |      |                                    |  |  |  |  |
| 1010              | DS1                                | 1.544 MHz | 100 Ω  | -15.0 dB LBO       | 0-21 dB              |      |                 |                    |                      |                   |    |           |      |   |         |      |    |           |       |   |         |      |      |           |       |          |          |      |      |           |       |            |            |      |      |           |       |            |            |      |      |           |       |            |            |      |      |           |       |            |            |      |    |           |       |          |          |      |     |           |       |          |         |      |     |           |       |             |           |      |     |           |       |              |         |      |     |           |       |              |           |      |                                    |  |  |  |  |
| 1011              | DS1                                | 1.544 MHz | 100 Ω  | -22.5 dB LBO       | 0-13.5 dB            |      |                 |                    |                      |                   |    |           |      |   |         |      |    |           |       |   |         |      |      |           |       |          |          |      |      |           |       |            |            |      |      |           |       |            |            |      |      |           |       |            |            |      |      |           |       |            |            |      |    |           |       |          |          |      |     |           |       |          |         |      |     |           |       |             |           |      |     |           |       |              |         |      |     |           |       |              |           |      |                                    |  |  |  |  |
| 11xx              | User programmable waveform setting |           |  |                    |                      |      |                 |                    |                      |                   |    |           |      |   |         |      |    |           |       |   |         |      |      |           |       |          |          |      |      |           |       |            |            |      |      |           |       |            |            |      |      |           |       |            |            |      |      |           |       |            |            |      |    |           |       |          |          |      |     |           |       |          |         |      |     |           |       |             |           |      |     |           |       |              |         |      |     |           |       |              |           |      |                                    |  |  |  |  |

1. In internal impedance matching mode, for E1/75 Ω cable impedance, the PULS[3:0] bits (**TCF1, 05H...**) should be set to '0000'. In external impedance matching mode, for E1/75 Ω cable impedance, the PULS[3:0] bits should be set to '0001'.

**Table-33 TCF2: Transmitter Configuration Register 2**  
(R/W, Address = 06H, 26H)

| Symbol    | Bit | Default | Description  |
|-----------|-----|---------|--|
| -         | 7-6 | 00      | Reserved.  |
| SCAL[5:0] | 5-0 | 100001  | <p>SCAL specifies a scaling factor to be applied to the amplitude of the user-programmable arbitrary pulses which is to be transmitted if needed. The default value of SCAL[5:0] is '100001'. Refer to <a href="#">3.3.3.3 User-Programmable Arbitrary Waveform</a>.</p> <p>= 110110: Default value for T1 0~133 ft, T1 133~266 ft, T1 266~399 ft, T1 399~533 ft, T1 533~655 ft, J1 0~655 ft and DS1 0 dB LBO. One step change of this value results in 2% scaling up/down against the pulse amplitude.</p> <p>= 010001: Default value for DS1 -7.5 dB LBO. One step change of this value results in 6.25% scaling up/down against the pulse amplitude.</p> <p>= 001000: Default value for DS1 -15.0 dB LBO. One step change of this value results in 12.5% scaling up/down against the pulse amplitude.</p> <p>= 000100: Default value for DS1 -22.5 dB LBO. One step change of this value results in 25% scaling up/down against the pulse amplitude.</p> <p>= 100001: Default value for E1 75 Ω and 120 Ω. One step change of this value results in 3% scaling up/down against the pulse amplitude.</p> |

**Table-34 TCF3: Transmitter Configuration Register 3**  
(R/W, Address = 07H, 27H)

| Symbol    | Bit | Default | Description   |
|-----------|-----|---------|---|
| DONE      | 7   | 0       | After '1' is written to this bit, a read or write operation is implemented.   |
| RW        | 6   | 0       | This bit selects read or write operation<br>= 0: Write to RAM<br>= 1: Read from RAM   |
| UI[1:0]   | 5-4 | 00      | These bits specify the unit interval address. There are totally 4 unit intervals.<br>= 00: UI address is 0 (The most left UI)<br>= 01: UI address is 1<br>= 10: UI address is 2<br>= 11: UI address is 3  |
| SAMP[3:0] | 3-0 | 0000    | These bits specify the sample address. Each UI has totally 16 samples.<br>= 0000: Sample address is 0 (The most left sample)<br>= 0001: Sample address is 1<br>= 0010: Sample address is 2<br>.....<br>= 1110: Sample address is 14<br>= 1111: Sample address is 15 |

**Table-35 TCF4: Transmitter Configuration Register 4**  
(R/W, Address = 08H, 28H)

| Symbol    | Bit | Default | Description   |
|-----------|-----|---------|---|
| -         | 7   | 0       | Reserved  |
| WDAT[6:0] | 6-0 | 0000000 | In Indirect Write operation, the WDAT[6:0] will be loaded to the pulse template RAM, specifying the amplitude of the Sample.<br>After an Indirect Read operation, the amplitude data of the Sample in the pulse template RAM will be output to the WDAT[6:0]. |

#### 4.3.5 RECEIVE PATH CONTROL REGISTERS

**Table-36 RCF0: Receiver Configuration Register 0**  
(R/W, Address = 09H, 29H)

| Symbol    | Bit | Default | Description   |
|-----------|-----|---------|---|
| -         | 7-5 | 000     | Reserved  |
| R_OFF     | 4   | 0       | Receiver power down enable<br>= 0: Receiver power up<br>= 1: Receiver power down  |
| RD_INV    | 3   | 0       | Receive data invert<br>= 0: Data on RDn or RDPn/RDNn is active high<br>= 1: Data on RDn or RDPn/RDNn is active low  |
| RCLK_SEL  | 2   | 0       | Receive clock edge select (this bit is ignored in slicer mode)<br>= 0: Data on RDn or RDPn/RDNn is updated on the rising edge of RCLKn<br>= 1: Data on RDn or RDPn/RDNn is updated on the falling edge of RCLKn   |
| R_MD[1:0] | 1-0 | 00      | Receive path decoding selection<br>= 00: Receive data is HDB3 (E1)/B8ZS (T1/J1) decoded and output on RDn pin with single rail NRZ format<br>= 01: Receive data is AMI decoded and output on RDn pin with single rail NRZ format<br>= 10: Decoder is bypassed, re-timed dual rail data with NRZ format output on RDPn/RDNn (dual rail mode with clock recovery)<br>= 11: CDR and decoder are bypassed, slicer data with RZ format output on RDPn/RDNn (slicer mode) |

**Table-37 RCF1: Receiver Configuration Register 1**  
(R/W, Address= 0AH, 2AH)

| Symbol       | Bit  | Default | Description  |                      |                        |
|--------------|------|---------|--|----------------------|------------------------|
| -            | 7    | 0       | Reserved   |                      |                        |
| EQ_ON        | 6    | 0       | = 0: Receive equalizer off (short haul receiver)<br>= 1: Receive equalizer on (long haul receiver) |                      |                        |
| -            | 5    | 0       | Reserved.  |                      |                        |
| LOS[4:0]     | 4:0  | 10101   |  | LOS Clear Level (dB) | LOS Declare Level (dB) |
|              |      |         | 00000  | 0                    | <-4                    |
|              |      |         | 00001  | >-2                  | <-6                    |
|              |      |         | 00010  | >-4                  | <-8                    |
|              |      |         | 00011  | >-6                  | <-10                   |
|              |      |         | 00100  | >-8                  | <-12                   |
|              |      |         | 00101  | >-10                 | <-14                   |
|              |      |         | 00110  | >-12                 | <-16                   |
|              |      |         | 00111  | >-14                 | <-18                   |
|              |      |         | 01000  | >-16                 | <-20                   |
|              |      |         | 01001  | >-18                 | <-22                   |
|              |      |         | 01010  | >-20                 | <-24                   |
|              |      |         | 01011  | >-22                 | <-26                   |
|              |      |         | 01100  | >-24                 | <-28                   |
|              |      |         | 01101  | >-26                 | <-30                   |
|              |      |         | 01110  | >-28                 | <-32                   |
|              |      |         | 01111  | >-30                 | <-34                   |
|              |      |         | 10000  | >-32                 | <-36                   |
|              |      |         | 10001  | >-34                 | <-38                   |
|              |      |         | 10010  | >-36                 | <-40                   |
| 10011        | >-38 | <-42    |  |                      |                        |
| 10100        | >-40 | <-44    |  |                      |                        |
| 10101        | >-42 | <-46    |  |                      |                        |
| 10110 -11111 | >-44 | <-48    |  |                      |                        |

**Table-38 RCF2: Receiver Configuration Register 2**  
(R/W, Address = 0BH, 2BH)

| Symbol     | Bit | Default | Description  |
|------------|-----|---------|--|
| -          | 7-6 | 00      | Reserved.  |
| SLICE[1:0] | 5-4 | 01      | Receive slicer threshold<br>= 00: The receive slicer generates a mark if the voltage on RTIPn/RRINGn exceeds 40% of the peak amplitude.<br>= 01: The receive slicer generates a mark if the voltage on RTIPn/RRINGn exceeds 50% of the peak amplitude.<br>= 10: The receive slicer generates a mark if the voltage on RTIPn/RRINGn exceeds 60% of the peak amplitude.<br>= 11: The receive slicer generates a mark if the voltage on RTIPn/RRINGn exceeds 70% of the peak amplitude. |
| UPDW[1:0]  | 3-2 | 10      | Equalizer observation window<br>= 00: 32 bits<br>= 01: 64 bits<br>= 10: 128 bits<br>= 11: 256 bits   |
| MG[1:0]    | 1-0 | 00      | Monitor gain setting: these bits select the internal linear gain boost<br>= 00: 0 dB<br>= 01: 22 dB<br>= 10: 26 dB<br>= 11: 32 dB  |

#### 4.3.6 NETWORK DIAGNOSTICS CONTROL REGISTERS

**Table-39 MAINT0: Maintenance Function Control Register 0**  
(R/W, Address = 0CH, 2CH)

| Symbol    | Bit | Default | Description  |
|-----------|-----|---------|--|
| -         | 7   | 0       | Reserved.  |
| PATT[1:0] | 6-5 | 00      | These bits select the internal pattern and insert it into transmit data stream.<br>= 00: Normal operation (PATT_CLK = 0) / insert all zeros (PATT_CLK = 1)<br>= 01: Insert All Ones<br>= 10: Insert PRBS (E1: 2 <sup>15</sup> -1) or QRSS (T1/J1: 2 <sup>20</sup> -1)<br>= 11: Insert programmable Inband loopback activate or deactivate code (default value 00001) |
| PATT_CLK  | 4   | 0       | Selects reference clock for transmitting internal pattern<br>= 0: Uses TCLKn as the reference clock<br>= 1: Uses MCLK as the reference clock   |
| PRBS_INV  | 3   | 0       | Inverts PRBS<br>= 0: The PRBS data is not inverted<br>= 1: The PRBS data is inverted before transmission and detection   |
| LAC       | 2   | 0       | LOS/AIS criterion is selected as below:<br>= 0: G.775 (E1) / T1.231 (T1/J1)<br>= 1: ETSI 300233& I.431 (E1) / I.431 (T1/J1)  |
| AISE      | 1   | 0       | AIS enable during LOS<br>= 0: AIS insertion on RDPn/RDNn/RCLKn is disabled during LOS<br>= 1: AIS insertion on RDPn/RDNn/RCLKn is enabled during LOS   |
| ATAO      | 0   | 0       | Automatically Transmit All Ones (enabled only when PATT[1:0] = 00)<br>= 0: Disabled<br>= 1: Automatically Transmit All Ones pattern at TTIPn/TRINGn during LOS   |

**Table-40 MAINT1:** Maintenance Function Control Register 1  
(R/W, Address= 0DH, 2DH)

| Symbol | Bit | Default | Description   |
|--------|-----|---------|---|
| -      | 7-4 | 0000    | Reserved  |
| ARLP   | 3   | 0       | Automatic remote loopback enable<br>= 0: Disables automatic remote loopback (normal transmit and receive operation)<br>= 1: Enables automatic remote loopback |
| RLP    | 2   | 0       | Remote loopback enable<br>= 0: Disables remote loopback (normal transmit and receive operation)<br>= 1: Enables remote loopback                               |
| ALP    | 1   | 0       | Analog loopback enable<br>= 0: Disables analog loopback (normal transmit and receive operation)<br>= 1: Enables analog loopback                               |
| DLP    | 0   | 0       | Digital loopback enable<br>= 0: Disables digital loopback (normal transmit and receive operation)<br>= 1: Enables digital loopback                            |

**Table-41 MAINT2:** Maintenance Function Control Register 2  
(R/W, Address = 0EH, 2EH)

| Symbol        | Bit | Default | Description  |
|---------------|-----|---------|--|
| -             | 7-6 | 00      | Reserved   |
| TIBLB_L[1:0]  | 5-4 | 00      | Defines the length of the user-programmable transmit loopback activate/deactivate code contained in TIBLB register. The default selection is 5 bits length.<br>= 00: 5-bit long activate code in TIBLB [4:0]<br>= 01: 6-bit long activate code in TIBLB [5:0]<br>= 10: 7-bit long activate code in TIBLB [6:0]<br>= 11: 8-bit long activate code in TIBLB [7:0]    |
| RIBLBA_L[1:0] | 3-2 | 00      | Defines the length of the user-programmable receive activate loopback code contained in RIBLBA register. The default selection is 5 bits length.<br>= 00: 5-bit long activate code in RIBLBA [4:0]<br>= 01: 6-bit long activate code in RIBLBA [5:0]<br>= 10: 7-bit long activate code in RIBLBA [6:0]<br>= 11: 8-bit long activate code in RIBLBA [7:0]           |
| RIBLBD_L[1:0] | 1-0 | 01      | Defines the length of the user-programmable receive deactivate loopback code contained in RIBLBD register. The default selection is 6 bits length.<br>= 00: 5-bit long deactivate code in RIBLBD [4:0]<br>= 01: 6-bit long deactivate code in RIBLBD [5:0]<br>= 10: 7-bit long deactivate code in RIBLBD [6:0]<br>= 11: 8-bit long deactivate code in RIBLBD [7:0] |

**Table-42 MAINT3:** Maintenance Function Control Register 3  
(R/W, Address = 0FH, 2FH)

| Symbol     | Bit | Default    | Description   |
|------------|-----|------------|---|
| TIBLB[7:0] | 7-0 | (000)00001 | Defines the user-programmable transmit Inband loopback activate or deactivate code. The default selection is 00001.<br>TIBLB [7:0] form the 8-bit repeating code<br>TIBLB [6:0] form the 7-bit repeating code<br>TIBLB [5:0] form the 6-bit repeating code<br>TIBLB [4:0] form the 5-bit repeating code |

**Table-43 MAINT4:** Maintenance Function Control Register 4  
(R/W, Address = 10H, 30H)

| Symbol      | Bit | Default    | Description  |
|-------------|-----|------------|--|
| RIBLBA[7:0] | 7-0 | (000)00001 | Defines the user-programmable receive Inband loopback activate code. The default selection is 00001.<br>RIBLBA [7:0] form the 8-bit repeating code<br>RIBLBA [6:0] form the 7-bit repeating code<br>RIBLBA [5:0] form the 6-bit repeating code<br>RIBLBA [4:0] form the 5-bit repeating code |

**Table-44 MAINT5:** Maintenance Function Control Register 5  
(R/W, Address = 11H, 31H)

| Symbol      | Bit | Default    | Description   |
|-------------|-----|------------|---|
| RIBLBD[7:0] | 7-0 | (00)001001 | Defines the user-programmable receive Inband loopback deactivate code. The default selection is 001001.<br>RIBLBD [7:0] form the 8-bit repeating code<br>RIBLBD [6:0] form the 7-bit repeating code<br>RIBLBD [5:0] form the 6-bit repeating code<br>RIBLBD [4:0] form the 5-bit repeating code |

**Table-45 MAINT6:** Maintenance Function Control Register 6  
(R/W, Address = 12H, 32H)

| Symbol  | Bit | Default | Description   |
|---------|-----|---------|---|
| -       | 7   | 0       | Reserved.   |
| BPV_INS | 6   | 0       | BPV error insertion<br>A '0' to '1' transition on this bit will cause a single bipolar violation error to be inserted into the transmit data stream.<br>This bit must be cleared and set again for a subsequent error to be inserted.   |
| ERR_INS | 5   | 0       | PRBS logic error insertion<br>A '0' to '1' transition on this bit will cause a single PRBS logic error to be inserted into the transmit PRBS data stream.<br>This bit must be cleared and set again for a subsequent error to be inserted.  |
| EXZ_DEF | 4   | 0       | EXZ definition select<br>= 0: ANSI<br>= 1: FCC  |
| ERR_SEL | 3-2 | 00      | These bits choose which type of error will be counted<br>= 00: The PRBS logic error is counted by a 16-bit error counter<br>= 01: The EXZ error is counted by a 16-bit error counter<br>= 10: The Received CV (BPV) error is counted by a 16-bit error counter<br>= 11: Both CV (BPV) and EXZ errors are counted by a 16-bit error counter. |
| CNT_MD  | 1   | 0       | Counter operation mode select<br>= 0: Manual Report mode<br>= 1: Auto Report mode   |
| CNT_TRF | 0   | 0       | = 0: Clear this bit for the next '0' to '1' transition on this bit.<br>= 1: Error counting result is transferred to CNT0 and CNT1 and the error counter is reset.   |

## 4.3.7 INTERRUPT CONTROL REGISTERS

**Table-46 INTM0: Interrupt Mask Register 0**  
(R/W, Address = 13H, 33H)

| Symbol   | Bit | Default | Description   |
|----------|-----|---------|---|
| EQ_IM    | 7   | 1       | Equalizer out of range interrupt mask<br>= 0: Equalizer out of range interrupt enabled<br>= 1: Equalizer out of range interrupt masked  |
| IBLBA_IM | 6   | 1       | In-band Loopback activate code detect interrupt mask<br>= 0: In-band Loopback activate code detect interrupt enabled<br>= 1: In-band Loopback activate code detect interrupt masked       |
| IBLBD_IM | 5   | 1       | In-band Loopback deactivate code detect interrupt mask<br>= 0: In-band Loopback deactivate code detect interrupt enabled<br>= 1: In-band Loopback deactivate code detect interrupt masked |
| PRBS_IM  | 4   | 1       | PRBS synchronic signal detect interrupt mask<br>= 0: PRBS synchronic signal detect interrupt enabled<br>= 1: PRBS synchronic signal detect interrupt masked                               |
| TCLK_IM  | 3   | 1       | TCLK loss detect interrupt mask<br>= 0: TCLK loss detect interrupt enabled<br>= 1: TCLK loss detect interrupt masked  |
| DF_IM    | 2   | 1       | Driver Failure interrupt mask<br>= 0: Driver Failure interrupt enabled<br>= 1: Driver Failure interrupt masked  |
| AIS_IM   | 1   | 1       | Alarm Indication Signal interrupt mask<br>= 0: Alarm Indication Signal interrupt enabled<br>= 1: Alarm Indication Signal interrupt masked   |
| LOS_IM   | 0   | 1       | Loss Of Signal interrupt mask<br>= 0: Loss Of Signal interrupt enabled<br>= 1: Loss Of Signal interrupt masked  |



**Table-47 INTM1: Interrupt Masked Register 1**  
(R/W, Address = 14H, 34H)

| Symbol    | Bit | Default | Description  |
|-----------|-----|---------|--|
| DAC_OV_IM | 7   | 1       | DAC arithmetic overflow interrupt mask<br>= 0: DAC arithmetic overflow interrupt enabled<br>= 1: DAC arithmetic overflow interrupt masked                |
| JAOV_IM   | 6   | 1       | JA overflow interrupt mask<br>= 0: JA overflow interrupt enabled<br>= 1: JA overflow interrupt masked  |
| JAUD_IM   | 5   | 1       | JA underflow interrupt mask<br>= 0: JA underflow interrupt enabled<br>= 1: JA underflow interrupt masked   |
| ERR_IM    | 4   | 1       | PRBS/QRSS logic error detect interrupt mask<br>= 0: PRBS/QRSS logic error detect interrupt enabled<br>= 1: PRBS/QRSS logic error detect interrupt masked |
| EXZ_IM    | 3   | 1       | Receive excess zeros interrupt mask<br>= 0: Receive excess zeros interrupt enabled<br>= 1: Receive excess zeros interrupt masked                         |
| CV_IM     | 2   | 1       | Receive error interrupt mask<br>= 0: Receive error interrupt enabled<br>= 1: Receive error interrupt masked  |
| TIMER_IM  | 1   | 1       | One-Second Timer expiration interrupt mask<br>= 0: One-Second Timer expiration interrupt enabled<br>= 1: One-Second Timer expiration interrupt masked    |
| CNT_IM    | 0   | 1       | Counter overflow interrupt mask<br>= 0: Counter overflow interrupt enabled<br>= 1: Counter overflow interrupt masked                                     |

**Table-48 INTES: Interrupt Trigger Edge Select Register**  
(R/W, Address = 15H, 35H)

| Symbol    | Bit | Default | Description  |
|-----------|-----|---------|--|
| EQ_IES    | 7   | 0       | This bit determines the Equalizer out of range interrupt event.<br>= 0: Interrupt event is generated as a '0' to '1' transition of the EQ_S bit in the STAT0 status register<br>= 1: Interrupt event is generated as either a '0' to '1' transition or a '1' to '0' transition of the EQ_S bit in the STAT0 status register.       |
| IBLBA_IES | 6   | 0       | This bit determines the Inband Loopback Activate Code interrupt event.<br>= 0: Interrupt event is generated as a '0' to '1' transition of the IBLBA_S bit in STAT0 status register<br>= 1: Interrupt event is generated as either a '0' to '1' transition or a '1' to '0' transition of the IBLBA_S bit in STAT0 status register   |
| IBLBD_IES | 5   | 0       | This bit determines the Inband Loopback Deactivate Code interrupt event.<br>= 0: Interrupt event is generated as a '0' to '1' transition of the IBLBD_S bit in STAT0 status register<br>= 1: Interrupt event is generated as either a '0' to '1' transition or a '1' to '0' transition of the IBLBD_S bit in STAT0 status register |
| PRBS_IES  | 4   | 0       | This bit determines the PRBS/QRSS synchronization status interrupt event.<br>= 0: Interrupt event is generated as a '0' to '1' transition of the PRBS_S bit in STAT0 status register<br>= 1: Interrupt event is generated as either a '0' to '1' transition or a '1' to '0' transition of the PRBS_S bit in STAT0 status register  |
| TCLK_IES  | 3   | 0       | This bit determines the TCLK Loss interrupt event.<br>= 0: Interrupt event is generated as a '0' to '1' transition of the TCLK_LOS bit in STAT0 status register<br>= 1: Interrupt event is generated as either a '0' to '1' transition or a '1' to '0' transition of the TCLK_LOS bit in STAT0 status register                     |
| DF_IES    | 2   | 0       | This bit determines the Driver Failure interrupt event.<br>= 0: Interrupt event is generated as a '0' to '1' transition of the DF_S bit in STAT0 status register<br>= 1: Interrupt event is generated as either a '0' to '1' transition or a '1' to '0' transition of the DF_S bit in STAT0 status register                        |
| AIS_IES   | 1   | 0       | This bit determines the AIS interrupt event.<br>= 0: Interrupt event is generated as a '0' to '1' transition of the AIS_S bit in STAT0 status register<br>= 1: Interrupt event is generated as either a '0' to '1' transition or a '1' to '0' transition of the AIS_S bit in STAT0 status register                                 |
| LOS_IES   | 0   | 0       | This bit determines the LOS interrupt event.<br>= 0: Interrupt is generated as a '0' to '1' transition of the LOS_S bit in STAT0 status register<br>= 1: Interrupt is generated as either a '0' to '1' transition or a '1' to '0' transition of the LOS_S bit in STAT0 status register   |

## 4.3.8 LINE STATUS REGISTERS

**Table-49 STAT0:** Line Status Register 0 (real time status monitor)  
(R, Address = 16H, 36H)

| Symbol   | Bit | Default | Description  |
|----------|-----|---------|--|
| EQ_S     | 7   | 0       | Equalizer status indication<br>= 0: In range<br>= 1: Out of range  |
| IBLBA_S  | 6   | 0       | In-band Loopback activate code receive status indication<br>= 0: No Inband Loopback activate code is detected<br>= 1: Activate signal is detected and then received over a period of more than $t$ ms, with a bit error rate less than $10^{-2}$ . The bit remains set as long as the bit error rate does not exceed $10^{-2}$ .<br><br>Note1:<br>If automatic remote loopback switching is disabled (ARLP = 0), $t = 40$ ms.<br>If automatic remote loopback switching is enabled (ARLP = 1), $t = 5.1$ s. The rising edge of this bit activates the remote loopback operation in local end.<br>Note2:<br>If IBLBA_IM=0:<br>A '0' to '1' transition on this bit causes an activate code detected interrupt if IBLBA _IES bit is '0';<br>Any changes of this bit causes an activate code detected interrupt if IBLBA _IES bit is set to '1'.               |
| IBLBD_S  | 5   | 0       | In-band Loopback deactivate code receive status indication<br>= 0: No Inband Loopback deactivate signal is detected<br>= 1: The Inband Loopback deactivate signal is detected and then received over a period of more than $t$ , with a bit error rate less than $10^{-2}$ . The bit remains set as long as the bit error rate does not exceed $10^{-2}$ .<br><br>Note1:<br>If automatic remote loopback switching is disabled (ARLP = 0), $t = 40$ ms.<br>If automatic remote loopback switching is enabled (ARLP = 1), $t = 5.1$ s. The rising edge of this bit disables the remote loopback operation.<br>Note2:<br>If IBLBD_IM=0:<br>A '0' to '1' transition on this bit causes a deactivate code detected interrupt if IBLBD _IES bit is '0';<br>Any changes of this bit causes a deactivate code detected interrupt if IBLBD _IES bit is set to '1'. |
| PRBS_S   | 4   | 0       | Synchronous status indication of PRBS/QRSS (real time)<br>= 0: $2^{15}-1$ (E1) PRBS or $2^{20}-1$ (T1/J1) QRSS not detected<br>= 1: $2^{15}-1$ (E1) PRBS or $2^{20}-1$ (T1/J1) QRSS detected<br><br>Note:<br>If PRBS_IM=0:<br>A '0' to '1' transition on this bit causes a synchronous status detected interrupt if PRBS _IES bit is '0'.<br>Any changes of this bit causes an interrupt if PRBS _IES bit is set to '1'.   |
| TCLK_LOS | 3   | 0       | TCLKn loss indication<br>= 0: Normal<br>= 1: TCLK pin has not toggled for more than 70 MCLK cycles<br><br>Note:<br>If TCLK_IM=0:<br>A '0' to '1' transition on this bit causes an interrupt if TCLK _IES bit is '0'.<br>Any changes of this bit causes an interrupt if TCLK _IES bit is set to '1'.  |

**Table-49 STAT0:** Line Status Register 0 (real time status monitor) (Continued)  
(R, Address = 16H, 36H)

| Symbol | Bit | Default | Description  |
|--------|-----|---------|--|
| DF_S   | 2   | 0       | Line driver status indication<br>= 0: Normal operation<br>= 1: Line driver short circuit is detected.<br><br>Note:<br>If DF_IM=0<br>A '0' to '1' transition on this bit causes an interrupt if DF_IES bit is '0'.<br>Any changes of this bit causes an interrupt if DF_IES bit is set to '1'.  |
| AIS_S  | 1   | 0       | Alarm Indication Signal status detection<br>= 0: No AIS signal is detected in the receive path<br>= 1: AIS signal is detected in the receive path<br><br>Note:<br>If AIS_IM=0<br>A '0' to '1' transition on this bit causes an interrupt if AIS_IES bit is '0'.<br>Any changes of this bit causes an interrupt if AIS_IES bit is set to '1'. |
| LOS_S  | 0   | 0       | Loss Of Signal status detection<br>= 0: Loss of signal on RTIPn/RRINGn is not detected<br>= 1: Loss of signal on RTIPn/RRINGn is detected.<br><br>Note:<br>If LOS_IM=0<br>A '0' to '1' transition on this bit causes an interrupt if LOS_IES bit is '0'.<br>Any changes of this bit causes an interrupt if LOS_IES bit is set to '1'.        |

**Table-50 STAT1:** Line Status Register 1 (real time status monitor)  
(R, Address = 17H, 37H)

| Symbol | Bit | Default | Description   |
|--------|-----|---------|---|
| -      | 7-6 | 00      | Reserved.   |
| RLP_S  | 5   | 0       | Indicating the status of Remote Loopback<br>= 0: The remote loopback is inactive.<br>= 1: The remote loopback is active (closed). |

**Table-50 STAT1:** Line Status Register 1 (real time status monitor) (Continued)  
(R, Address = 17H, 37H)

| Symbol       | Bit         | Default | Description                 |             |
|--------------|-------------|---------|-----------------------------|-------------|
| LATT[4:0]    | 4-0         | 00000   | Line Attenuation Indication |             |
|              |             |         | 00000                       | 0 to 2 dB   |
|              |             |         | 00001                       | 2 to 4 dB   |
|              |             |         | 00010                       | 4 to 6 dB   |
|              |             |         | 00011                       | 6 to 8 dB   |
|              |             |         | 00100                       | 8 to 10 dB  |
|              |             |         | 00101                       | 10 to 12 dB |
|              |             |         | 00110                       | 12 to 14 dB |
|              |             |         | 00111                       | 14 to 16 dB |
|              |             |         | 01000                       | 16 to 18 dB |
|              |             |         | 01001                       | 18 to 20 dB |
|              |             |         | 01010                       | 20 to 22 dB |
|              |             |         | 01011                       | 22 to 24 dB |
|              |             |         | 01100                       | 24 to 26 dB |
|              |             |         | 01101                       | 26 to 28 dB |
|              |             |         | 01110                       | 28 to 30 dB |
|              |             |         | 01111                       | 30 to 32 dB |
|              |             |         | 10000                       | 32 to 34 dB |
|              |             |         | 10001                       | 34 to 36 dB |
|              |             |         | 10010                       | 36 to 38 dB |
| 10011        | 38 to 40 dB |         |                             |             |
| 10100        | 40 to 42 dB |         |                             |             |
| 10101        | 42 to 44 dB |         |                             |             |
| 10110 -11111 | >44 dB      |         |                             |             |

## 4.3.9 INTERRUPT STATUS REGISTERS

**Table-51 INTS0: Interrupt Status Register 0**

(R, Address = 18H, 38H) (this register is reset and relevant interrupt request is cleared after a read)

| Symbol      | Bit | Default | Description  |
|-------------|-----|---------|--|
| EQ_IS       | 7   | 0       | This bit indicates the occurrence of Equalizer out of range interrupt event.<br>= 0: No interrupt event from the Equalizer out of range occurred<br>= 1: Interrupt event from the Equalizer out of range occurred                                  |
| IBLBA_IS    | 6   | 0       | This bit indicates the occurrence of the Inband Loopback Activate Code interrupt event.<br>= 0: No Inband Loopback Activate Code interrupt event occurred<br>= 1: Inband Loopback Activate Code interrupt event occurred                           |
| IBLBD_IS    | 5   | 0       | This bit indicates the occurrence of the Inband Loopback Deactivate Code interrupt event.<br>= 0: No Inband Loopback Deactivate Code interrupt event occurred<br>= 1: Interrupt event of the received Inband Loopback Deactivate Code occurred.    |
| PRBS_IS     | 4   | 0       | This bit indicates the occurrence of the interrupt event generated by the PRBS/QRSS synchronization status.<br>= 0: No PRBS/QRSS synchronization status interrupt event occurred<br>= 1: PRBS/QRSS synchronization status interrupt event occurred |
| TCLK_LOS_IS | 3   | 0       | This bit indicates the occurrence of the interrupt event generated by the TCLK loss detection.<br>= 0: No TCLK loss interrupt event.<br>= 1:TCLK loss interrupt event occurred.  |
| DF_IS       | 2   | 0       | This bit indicates the occurrence of the interrupt event generated by the Driver Failure.<br>= 0: No Driver Failure interrupt event occurred<br>= 1: Driver Failure interrupt event occurred   |
| AIS_IS      | 1   | 0       | This bit indicates the occurrence of the AIS (Alarm Indication Signal) interrupt event.<br>= 0: No AIS interrupt event occurred<br>= 1: AIS interrupt event occurred   |
| LOS_IS      | 0   | 0       | This bit indicates the occurrence of the LOS (Loss of signal) interrupt event.<br>= 0: No LOS interrupt event occurred<br>= 1: LOS interrupt event occurred  |

**Table-52 INTS1: Interrupt Status Register 1**

(R, Address = 19H, 39H) (this register is reset and the relevant interrupt request is cleared after a read)

| Symbol    | Bit | Default | Description   |
|-----------|-----|---------|---|
| DAC_OV_IS | 7   | 0       | This bit indicates the occurrence of the pulse amplitude overflow of Arbitrary Waveform Generator interrupt event.<br>= 0: No pulse amplitude overflow of Arbitrary Waveform Generator interrupt event occurred<br>= 1: The pulse amplitude overflow of Arbitrary Waveform Generator interrupt event occurred |
| JAOV_IS   | 6   | 0       | This bit indicates the occurrence of the Jitter Attenuator Overflow interrupt event.<br>= 0: No JA Overflow interrupt event occurred<br>= 1: JA Overflow interrupt event occurred   |
| JAUD_IS   | 5   | 0       | This bit indicates the occurrence of the Jitter Attenuator Underflow interrupt event.<br>= 0: No JA Underflow interrupt event occurred<br>= 1: JA Underflow interrupt event occurred  |
| ERR_IS    | 4   | 0       | This bit indicates the occurrence of the interrupt event generated by the detected PRBS/QRSS logic error.<br>= 0: No PRBS/QRSS logic error interrupt event occurred<br>= 1: PRBS/QRSS logic error interrupt event occurred  |
| EXZ_IS    | 3   | 0       | This bit indicates the occurrence of the Excessive Zeros interrupt event.<br>= 0: No Excessive Zeros interrupt event occurred<br>= 1: EXZ interrupt event occurred  |
| CV_IS     | 2   | 0       | This bit indicates the occurrence of the Code Violation interrupt event.<br>= 0: No Code Violation interrupt event occurred<br>= 1: Code Violation interrupt event occurred   |
| TMOV_IS   | 1   | 0       | This bit indicates the occurrence of the One-Second Timer Expiration interrupt event.<br>= 0: No One-Second Timer Expiration interrupt event occurred<br>= 1: One-Second Timer Expiration interrupt event occurred  |
| CNT_OV_IS | 0   | 0       | This bit indicates the occurrence of the Counter Overflow interrupt event.<br>= 0: No Counter Overflow interrupt event occurred<br>= 1: Counter Overflow interrupt event occurred   |

#### 4.3.10 COUNTER REGISTERS

**Table-53 CNT0: Error Counter L-byte Register 0**

(R, Address = 1AH, 3AH)

| Symbol     | Bit | Default | Description   |
|------------|-----|---------|---|
| CNT_L[7:0] | 7-0 | 00H     | This register contains the lower eight bits of the 16-bit error counter. CNT_L[0] is the LSB. |

**Table-54 CNT1: Error Counter H-byte Register 1**

(R, Address = 1BH, 3BH)

| Symbol     | Bit | Default | Description   |
|------------|-----|---------|---|
| CNT_H[7:0] | 7-0 | 00H     | This register contains the upper eight bits of the 16-bit error counter. CNT_H[7] is the MSB. |

## 5 HARDWARE CONTROL PIN SUMMARY

Table-55 Hardware Control Pin Summary

| Pin No.<br>TQFP      | Pin No.<br>FPBGA     | Symbol                               | Description  |                    |            |      |   |                    |            |      |    |           |     |   |         |      |    |           |      |   |         |      |      |           |      |          |          |      |      |           |      |            |            |      |      |           |      |            |            |      |      |           |      |            |            |      |      |           |      |            |            |      |    |           |      |          |          |      |     |           |      |          |         |      |     |           |      |             |           |      |     |           |      |              |         |      |     |           |      |              |           |            |     |           |      |   |           |
|----------------------|----------------------|--------------------------------------|--|--------------------|------------|------|---|--------------------|------------|------|----|-----------|-----|---|---------|------|----|-----------|------|---|---------|------|------|-----------|------|----------|----------|------|------|-----------|------|------------|------------|------|------|-----------|------|------------|------------|------|------|-----------|------|------------|------------|------|------|-----------|------|------------|------------|------|----|-----------|------|----------|----------|------|-----|-----------|------|----------|---------|------|-----|-----------|------|-------------|-----------|------|-----|-----------|------|--------------|---------|------|-----|-----------|------|--------------|-----------|------------|-----|-----------|------|---|-----------|
| 9<br>10              | E2<br>D3             | MODE1<br>MODE0                       | <b>MODE[1:0]: Operation mode of Control interface select (global control)</b><br>00= Hardware interface<br>01= Serial interface<br>10= Parallel - non-Multiplexed - Motorola Interface<br>11= Parallel - non-Multiplexed - Intel Interface   |                    |            |      |   |                    |            |      |    |           |     |   |         |      |    |           |      |   |         |      |      |           |      |          |          |      |      |           |      |            |            |      |      |           |      |            |            |      |      |           |      |            |            |      |      |           |      |            |            |      |    |           |      |          |          |      |     |           |      |          |         |      |     |           |      |             |           |      |     |           |      |              |         |      |     |           |      |              |           |            |     |           |      |   |           |
| 13<br>12             | E3<br>E1             | TERM1<br>TERM2                       | <b>TERMn: Termination interface select (per channel control)</b><br>These pins select internal or external impedance matching for channel n (n=1 or 2)<br>0 = ternary interface with internal impedance matching network.<br>1 = ternary interface with external impedance matching network in E1 mode; ternary interface with external impedance matching network for receiver and ternary interface with internal impedance matching network for transmitter in T1/J1 mode. (External impedance matching is not supported by T1/J1 mode transmitter.)<br>(This applies to ZB die revision only).   |                    |            |      |   |                    |            |      |    |           |     |   |         |      |    |           |      |   |         |      |      |           |      |          |          |      |      |           |      |            |            |      |      |           |      |            |            |      |      |           |      |            |            |      |      |           |      |            |            |      |    |           |      |          |          |      |     |           |      |          |         |      |     |           |      |             |           |      |     |           |      |              |         |      |     |           |      |              |           |            |     |           |      |   |           |
| 14<br>15             | E4<br>F1             | RXTXM1<br>RXTXM0                     | <b>RXTXM[1:0]: Receive and transmit path operation mode select (global control)</b><br>00= single rail with HDB3/B8ZS coding<br>01= single rail with AMI coding<br>10= dual rail interface with CDR enable<br>11= slicer mode  |                    |            |      |   |                    |            |      |    |           |     |   |         |      |    |           |      |   |         |      |      |           |      |          |          |      |      |           |      |            |            |      |      |           |      |            |            |      |      |           |      |            |            |      |      |           |      |            |            |      |    |           |      |          |          |      |     |           |      |          |         |      |     |           |      |             |           |      |     |           |      |              |         |      |     |           |      |              |           |            |     |           |      |   |           |
| 54<br>53<br>52<br>51 | D8<br>F5<br>E7<br>D9 | PULS13<br>PULS12<br>PULS11<br>PULS10 | <b>PULSn[3:0]: These pins are used to select the following functions (per channel control):</b> <ul style="list-style-type: none"> <li>T1/E1/J1 mode (T1/E1/J1 selection of common clock is decided by PULS1n/PULS2n, n=0~3)</li> <li>Transmit pulse template</li> <li>Internal termination impedance (75Ω/100Ω/110Ω/120Ω)</li> </ul>  |                    |            |      |   |                    |            |      |    |           |     |   |         |      |    |           |      |   |         |      |      |           |      |          |          |      |      |           |      |            |            |      |      |           |      |            |            |      |      |           |      |            |            |      |      |           |      |            |            |      |    |           |      |          |          |      |     |           |      |          |         |      |     |           |      |             |           |      |     |           |      |              |         |      |     |           |      |              |           |            |     |           |      |   |           |
| 50<br>49<br>48<br>47 | E8<br>E9<br>F6<br>F7 | PULS23<br>PULS22<br>PULS21<br>PULS20 | <table border="1"> <thead> <tr> <th>PULSn[3:0]</th> <th>T1/E1/J1</th> <th>TCLK</th> <th>Cable impedance (internal matching impedance)</th> <th>Cable range or LBO</th> <th>Cable loss</th> </tr> </thead> <tbody> <tr> <td>0000</td> <td>E1</td> <td>2.048 MHz</td> <td>75Ω</td> <td>-</td> <td>0-43 dB</td> </tr> <tr> <td>0001</td> <td>E1</td> <td>2.048 MHz</td> <td>120Ω</td> <td>-</td> <td>0-43 dB</td> </tr> <tr> <td>0010</td> <td>DSX1</td> <td>1.544 MHz</td> <td>100Ω</td> <td>0-133 ft</td> <td>0-0.6 dB</td> </tr> <tr> <td>0011</td> <td>DSX1</td> <td>1.544 MHz</td> <td>100Ω</td> <td>133-266 ft</td> <td>0.6-1.2 dB</td> </tr> <tr> <td>0100</td> <td>DSX1</td> <td>1.544 MHz</td> <td>100Ω</td> <td>266-399 ft</td> <td>1.2-1.8 dB</td> </tr> <tr> <td>0101</td> <td>DSX1</td> <td>1.544 MHz</td> <td>100Ω</td> <td>399-533 ft</td> <td>1.8-2.4 dB</td> </tr> <tr> <td>0110</td> <td>DSX1</td> <td>1.544 MHz</td> <td>100Ω</td> <td>533-655 ft</td> <td>2.4-3.0 dB</td> </tr> <tr> <td>0111</td> <td>J1</td> <td>1.544 MHz</td> <td>110Ω</td> <td>0-655 ft</td> <td>0-3.0 dB</td> </tr> <tr> <td>1000</td> <td>DS1</td> <td>1.544 MHz</td> <td>100Ω</td> <td>0 dB LBO</td> <td>0-36 dB</td> </tr> <tr> <td>1001</td> <td>DS1</td> <td>1.544 MHz</td> <td>100Ω</td> <td>-7.5 dB LBO</td> <td>0-28.5 dB</td> </tr> <tr> <td>1010</td> <td>DS1</td> <td>1.544 MHz</td> <td>100Ω</td> <td>-15.0 dB LBO</td> <td>0-21 dB</td> </tr> <tr> <td>1011</td> <td>DS1</td> <td>1.544 MHz</td> <td>100Ω</td> <td>-22.5 dB LBO</td> <td>0-13.5 dB</td> </tr> <tr> <td>1100 -1111</td> <td>DS1</td> <td>1.544 MHz</td> <td>100Ω</td> <td>-</td> <td>0-13.5 dB</td> </tr> </tbody> </table> | PULSn[3:0]         | T1/E1/J1   | TCLK | Cable impedance (internal matching impedance) | Cable range or LBO | Cable loss | 0000 | E1 | 2.048 MHz | 75Ω | - | 0-43 dB | 0001 | E1 | 2.048 MHz | 120Ω | - | 0-43 dB | 0010 | DSX1 | 1.544 MHz | 100Ω | 0-133 ft | 0-0.6 dB | 0011 | DSX1 | 1.544 MHz | 100Ω | 133-266 ft | 0.6-1.2 dB | 0100 | DSX1 | 1.544 MHz | 100Ω | 266-399 ft | 1.2-1.8 dB | 0101 | DSX1 | 1.544 MHz | 100Ω | 399-533 ft | 1.8-2.4 dB | 0110 | DSX1 | 1.544 MHz | 100Ω | 533-655 ft | 2.4-3.0 dB | 0111 | J1 | 1.544 MHz | 110Ω | 0-655 ft | 0-3.0 dB | 1000 | DS1 | 1.544 MHz | 100Ω | 0 dB LBO | 0-36 dB | 1001 | DS1 | 1.544 MHz | 100Ω | -7.5 dB LBO | 0-28.5 dB | 1010 | DS1 | 1.544 MHz | 100Ω | -15.0 dB LBO | 0-21 dB | 1011 | DS1 | 1.544 MHz | 100Ω | -22.5 dB LBO | 0-13.5 dB | 1100 -1111 | DS1 | 1.544 MHz | 100Ω | - | 0-13.5 dB |
| PULSn[3:0]           | T1/E1/J1             | TCLK                                 | Cable impedance (internal matching impedance)  | Cable range or LBO | Cable loss |      |   |                    |            |      |    |           |     |   |         |      |    |           |      |   |         |      |      |           |      |          |          |      |      |           |      |            |            |      |      |           |      |            |            |      |      |           |      |            |            |      |      |           |      |            |            |      |    |           |      |          |          |      |     |           |      |          |         |      |     |           |      |             |           |      |     |           |      |              |         |      |     |           |      |              |           |            |     |           |      |   |           |
| 0000                 | E1                   | 2.048 MHz                            | 75Ω  | -                  | 0-43 dB    |      |   |                    |            |      |    |           |     |   |         |      |    |           |      |   |         |      |      |           |      |          |          |      |      |           |      |            |            |      |      |           |      |            |            |      |      |           |      |            |            |      |      |           |      |            |            |      |    |           |      |          |          |      |     |           |      |          |         |      |     |           |      |             |           |      |     |           |      |              |         |      |     |           |      |              |           |            |     |           |      |   |           |
| 0001                 | E1                   | 2.048 MHz                            | 120Ω   | -                  | 0-43 dB    |      |   |                    |            |      |    |           |     |   |         |      |    |           |      |   |         |      |      |           |      |          |          |      |      |           |      |            |            |      |      |           |      |            |            |      |      |           |      |            |            |      |      |           |      |            |            |      |    |           |      |          |          |      |     |           |      |          |         |      |     |           |      |             |           |      |     |           |      |              |         |      |     |           |      |              |           |            |     |           |      |   |           |
| 0010                 | DSX1                 | 1.544 MHz                            | 100Ω   | 0-133 ft           | 0-0.6 dB   |      |   |                    |            |      |    |           |     |   |         |      |    |           |      |   |         |      |      |           |      |          |          |      |      |           |      |            |            |      |      |           |      |            |            |      |      |           |      |            |            |      |      |           |      |            |            |      |    |           |      |          |          |      |     |           |      |          |         |      |     |           |      |             |           |      |     |           |      |              |         |      |     |           |      |              |           |            |     |           |      |   |           |
| 0011                 | DSX1                 | 1.544 MHz                            | 100Ω   | 133-266 ft         | 0.6-1.2 dB |      |   |                    |            |      |    |           |     |   |         |      |    |           |      |   |         |      |      |           |      |          |          |      |      |           |      |            |            |      |      |           |      |            |            |      |      |           |      |            |            |      |      |           |      |            |            |      |    |           |      |          |          |      |     |           |      |          |         |      |     |           |      |             |           |      |     |           |      |              |         |      |     |           |      |              |           |            |     |           |      |   |           |
| 0100                 | DSX1                 | 1.544 MHz                            | 100Ω   | 266-399 ft         | 1.2-1.8 dB |      |   |                    |            |      |    |           |     |   |         |      |    |           |      |   |         |      |      |           |      |          |          |      |      |           |      |            |            |      |      |           |      |            |            |      |      |           |      |            |            |      |      |           |      |            |            |      |    |           |      |          |          |      |     |           |      |          |         |      |     |           |      |             |           |      |     |           |      |              |         |      |     |           |      |              |           |            |     |           |      |   |           |
| 0101                 | DSX1                 | 1.544 MHz                            | 100Ω   | 399-533 ft         | 1.8-2.4 dB |      |   |                    |            |      |    |           |     |   |         |      |    |           |      |   |         |      |      |           |      |          |          |      |      |           |      |            |            |      |      |           |      |            |            |      |      |           |      |            |            |      |      |           |      |            |            |      |    |           |      |          |          |      |     |           |      |          |         |      |     |           |      |             |           |      |     |           |      |              |         |      |     |           |      |              |           |            |     |           |      |   |           |
| 0110                 | DSX1                 | 1.544 MHz                            | 100Ω   | 533-655 ft         | 2.4-3.0 dB |      |   |                    |            |      |    |           |     |   |         |      |    |           |      |   |         |      |      |           |      |          |          |      |      |           |      |            |            |      |      |           |      |            |            |      |      |           |      |            |            |      |      |           |      |            |            |      |    |           |      |          |          |      |     |           |      |          |         |      |     |           |      |             |           |      |     |           |      |              |         |      |     |           |      |              |           |            |     |           |      |   |           |
| 0111                 | J1                   | 1.544 MHz                            | 110Ω   | 0-655 ft           | 0-3.0 dB   |      |   |                    |            |      |    |           |     |   |         |      |    |           |      |   |         |      |      |           |      |          |          |      |      |           |      |            |            |      |      |           |      |            |            |      |      |           |      |            |            |      |      |           |      |            |            |      |    |           |      |          |          |      |     |           |      |          |         |      |     |           |      |             |           |      |     |           |      |              |         |      |     |           |      |              |           |            |     |           |      |   |           |
| 1000                 | DS1                  | 1.544 MHz                            | 100Ω   | 0 dB LBO           | 0-36 dB    |      |   |                    |            |      |    |           |     |   |         |      |    |           |      |   |         |      |      |           |      |          |          |      |      |           |      |            |            |      |      |           |      |            |            |      |      |           |      |            |            |      |      |           |      |            |            |      |    |           |      |          |          |      |     |           |      |          |         |      |     |           |      |             |           |      |     |           |      |              |         |      |     |           |      |              |           |            |     |           |      |   |           |
| 1001                 | DS1                  | 1.544 MHz                            | 100Ω   | -7.5 dB LBO        | 0-28.5 dB  |      |   |                    |            |      |    |           |     |   |         |      |    |           |      |   |         |      |      |           |      |          |          |      |      |           |      |            |            |      |      |           |      |            |            |      |      |           |      |            |            |      |      |           |      |            |            |      |    |           |      |          |          |      |     |           |      |          |         |      |     |           |      |             |           |      |     |           |      |              |         |      |     |           |      |              |           |            |     |           |      |   |           |
| 1010                 | DS1                  | 1.544 MHz                            | 100Ω   | -15.0 dB LBO       | 0-21 dB    |      |   |                    |            |      |    |           |     |   |         |      |    |           |      |   |         |      |      |           |      |          |          |      |      |           |      |            |            |      |      |           |      |            |            |      |      |           |      |            |            |      |      |           |      |            |            |      |    |           |      |          |          |      |     |           |      |          |         |      |     |           |      |             |           |      |     |           |      |              |         |      |     |           |      |              |           |            |     |           |      |   |           |
| 1011                 | DS1                  | 1.544 MHz                            | 100Ω   | -22.5 dB LBO       | 0-13.5 dB  |      |   |                    |            |      |    |           |     |   |         |      |    |           |      |   |         |      |      |           |      |          |          |      |      |           |      |            |            |      |      |           |      |            |            |      |      |           |      |            |            |      |      |           |      |            |            |      |    |           |      |          |          |      |     |           |      |          |         |      |     |           |      |             |           |      |     |           |      |              |         |      |     |           |      |              |           |            |     |           |      |   |           |
| 1100 -1111           | DS1                  | 1.544 MHz                            | 100Ω   | -                  | 0-13.5 dB  |      |   |                    |            |      |    |           |     |   |         |      |    |           |      |   |         |      |      |           |      |          |          |      |      |           |      |            |            |      |      |           |      |            |            |      |      |           |      |            |            |      |      |           |      |            |            |      |    |           |      |          |          |      |     |           |      |          |         |      |     |           |      |             |           |      |     |           |      |              |         |      |     |           |      |              |           |            |     |           |      |   |           |
| 58<br>60             | C8<br>A9             | EQ1<br>EQ2                           | <b>EQn: Receive Equalizer on/off control (per channel control)</b><br>When the chip is configured by hardware with ternary interface, these pins select Short Haul or Long Haul operation mode for channel n (n=1 or 2)<br>0= short haul (10dB)<br>1= long haul (36dB for T1/J1, 43 dB for E1)   |                    |            |      |   |                    |            |      |    |           |     |   |         |      |    |           |      |   |         |      |      |           |      |          |          |      |      |           |      |            |            |      |      |           |      |            |            |      |      |           |      |            |            |      |      |           |      |            |            |      |    |           |      |          |          |      |     |           |      |          |         |      |     |           |      |             |           |      |     |           |      |              |         |      |     |           |      |              |           |            |     |           |      |   |           |
| 57<br>59             | D7<br>B9             | RPD1<br>RPD2                         | <b>RPDn: Receiver power down control (per channel control)</b><br>0= Normal operation<br>1= receiver power down  |                    |            |      |   |                    |            |      |    |           |     |   |         |      |    |           |      |   |         |      |      |           |      |          |          |      |      |           |      |            |            |      |      |           |      |            |            |      |      |           |      |            |            |      |      |           |      |            |            |      |    |           |      |          |          |      |     |           |      |          |         |      |     |           |      |             |           |      |     |           |      |              |         |      |     |           |      |              |           |            |     |           |      |   |           |



Table-55 Hardware Control Pin Summary (Continued)

| Pin No.<br>TQFP | Pin No.<br>FPBGA | Symbol           | Description  |
|-----------------|------------------|------------------|--|
| 46<br>45        | G7<br>F8         | PATT11<br>PATT10 | <b>PATTn[1:0]: Transmit test pattern select (per channel control)</b><br>In hardware control mode, these pins select the transmit pattern for channel n (n=1 or 2)<br>00 = normal  |
| 56<br>55        | E6<br>C9         | PATT21<br>PATT20 | 01= All Ones<br>10= PRBS<br>11= transmitter power down   |
| 16<br>17        | F2<br>F3         | JA1<br>JA0       | <b>JA[1:0]: Jitter attenuation position, bandwidth and the depth of FIFO select (global control)</b><br>00= JA is disabled<br>01= JA in receiver, broad bandwidth, FIFO=64 bits<br>10= JA in receiver, narrow bandwidth, FIFO=128 bits<br>11= JA in transmitter, narrow bandwidth, FIFO=128 bits |
| 19<br>18        | G1<br>G2         | MONT1<br>MONT2   | <b>MONTn: Receive Monitor n gain select (per channel control)</b><br>In hardware control mode with ternary interface, this pin selects the receive monitor gain for receiver n (n=1 or 2)<br>0= 0 dB<br>1= 26 dB   |
| 42<br>41        | G8<br>G9         | LP11<br>LP10     | <b>LPn[1:0]: Loopback mode select (per channel control)</b><br>When the chip is configured by hardware, these pins are used to select loopback operation modes for channel n (Inband loopback is not provided in hardware control mode).   |
| 44<br>43        | H8<br>F9         | LP21<br>LP20     | 00= no loopback<br>01= analog loopback<br>10= digital loopback<br>11= remote loopback  |
| 20              | H1               | THZ              | <b>THZ: Transmitter Driver High Impedance Enable (global control)</b><br>This signal enables or disables both of the transmitter drivers. A low level on this pin enables both of the two drivers while a high level on this pin places both of the two drivers in high impedance state.         |
| 11              | D4               | RCLKE            | <b>RCLKE: the active edge of RCLKn select when hardware control mode is used (global control)</b><br>0= select the rising edge as active edge of RCLKn<br>1= select the falling edge as active edge of RCLKn   |

## 6 IEEE STD 1149.1 JTAG TEST ACCESS PORT

The IDT82V2082 supports the digital Boundary Scan Specification as described in the IEEE 1149.1 standards.

The boundary scan architecture consists of data and instruction registers plus a Test Access Port (TAP) controller. Control of the TAP is performed through signals applied to the Test Mode Select (TMS) and Test Clock (TCK) pins. Data is shifted into the registers via the Test Data Input

(TDI) pin, and shifted out of the registers via the Test Data Output (TDO) pin. Both TDI and TDO are clocked at a rate determined by TCK.

The JTAG boundary scan registers include BSR (Boundary Scan Register), IDR (Device Identification Register), BR (Bypass Register) and IR (Instruction Register). These will be described in the following pages. Refer to Figure-22 for architecture.

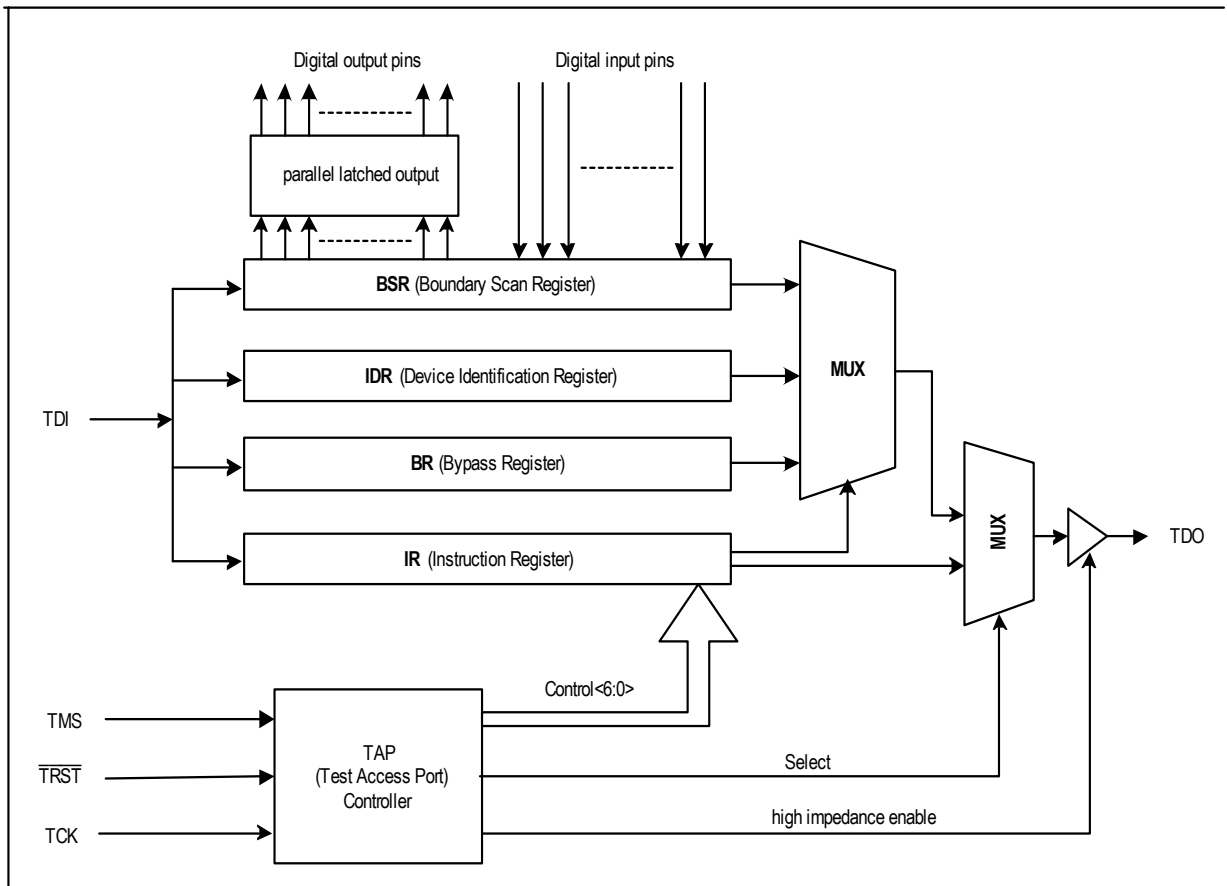


Figure-22 JTAG Architecture

## 6.1 JTAG INSTRUCTIONS AND INSTRUCTION REGISTER

The IR (Instruction Register) with instruction decode block is used to select the test to be executed or the data register to be accessed or both.

The instructions are shifted in LSB first to this 3-bit register. See [Table-56](#) for details of the codes and the instructions related.

**Table-56 Instruction Register Description**

| IR CODE | INSTRUCTION      | COMMENTS   |
|---------|------------------|--|
| 000     | Extest           | The external test instruction allows testing of the interconnection to other devices. When the current instruction is the EXTEST instruction, the boundary scan register is placed between TDI and TDO. The signal on the input pins can be sampled by loading the boundary scan register using the Capture-DR state. The sampled values can then be viewed by shifting the boundary scan register using the Shift-DR state. The signal on the output pins can be controlled by loading patterns shifted in through input TDI into the boundary scan register using the Update-DR state. |
| 100     | Sample / Preload | The sample instruction samples all the device inputs and outputs. For this instruction, the boundary scan register is placed between TDI and TDO. The normal path between IDT82V2082 logic and the I/O pins is maintained. Primary device inputs and outputs can be sampled by loading the boundary scan register using the Capture-DR state. The sampled values can then be viewed by shifting the boundary scan register using the Shift-DR state.   |
| 110     | Idcode           | The identification instruction is used to connect the identification register between TDI and TDO. The device's identification code can then be shifted out using the Shift-DR state.  |
| 111     | Bypass           | The bypass instruction shifts data from input TDI to output TDO with one TCK clock period delay. The instruction is used to bypass the device.   |

## 6.2 JTAG DATA REGISTER

### 6.2.1 DEVICE IDENTIFICATION REGISTER (IDR)

The IDR can be set to define the producer number, part number and the device revision, which can be used to verify the proper version or revision number that has been used in the system under test. The IDR is 32 bits long and is partitioned as in [Table-57](#). Data from the IDR is shifted out to TDO LSB first.

**Table-57 Device Identification Register Description**

| Bit No. | Comments        |
|---------|-----------------|
| 0       | Set to '1'      |
| 1-11    | Producer Number |
| 12-27   | Part Number     |
| 28-31   | Device Revision |

### 6.2.2 BYPASS REGISTER (BR)

The BR consists of a single bit. It can provide a serial path between the TDI input and TDO output, bypassing the BSR to reduce test access times.

### 6.2.3 BOUNDARY SCAN REGISTER (BSR)

The BSR can apply and read test patterns in parallel to or from all the digital I/O pins. The BSR is a 98 bits long shift register and is initialized and read using the instruction EXTEST or SAMPLE/PRELOAD. Each pin is related to one or more bits in the BSR. For details, please refer to the BSDL file.

### 6.2.4 TEST ACCESS PORT CONTROLLER

The TAP controller is a 16-state synchronous state machine. [Figure-23](#) shows its state diagram following the description of each state. Note that the figure contains two main branches to access either the data or instruction registers. The value shown next to each state transition in this figure states the value present at TMS at each rising edge of TCK. Please refer to [Table-58](#) for details of the state description.

Table-58 TAP Controller State Description

| STATE            | DESCRIPTION   |
|------------------|---|
| Test Logic Reset | In this state, the test logic is disabled. The device is set to normal operation. During initialization, the device initializes the instruction register with the IDCODE instruction. Regardless of the original state of the controller, the controller enters the Test-Logic-Reset state when the TMS input is held high for at least 5 rising edges of TCK. The controller remains in this state while TMS is high. The device processor automatically enters this state at power-up.  |
| Run-Test/Idle    | This is a controller state between scan operations. Once in this state, the controller remains in the state as long as TMS is held low. The instruction register and all test data registers retain their previous state. When TMS is high and a rising edge is applied to TCK, the controller moves to the Select-DR state.  |
| Select-DR-Scan   | This is a temporary controller state and the instruction does not change in this state. The test data register selected by the current instruction retains its previous state. If TMS is held low and a rising edge is applied to TCK when in this state, the controller moves into the Capture-DR state and a scan sequence for the selected test data register is initiated. If TMS is held high and a rising edge applied to TCK, the controller moves to the Select-IR-Scan state.  |
| Capture-DR       | In this state, the Boundary Scan Register captures input pin data if the current instruction is EXTEST or SAMPLE/PRELOAD. The instruction does not change in this state. The other test data registers, which do not have parallel input, are not changed. When the TAP controller is in this state and a rising edge is applied to TCK, the controller enters the Exit1-DR state if TMS is high or the Shift-DR state if TMS is low.   |
| Shift-DR         | In this controller state, the test data register connected between TDI and TDO as a result of the current instruction shifts data on stage toward its serial output on each rising edge of TCK. The instruction does not change in this state. When the TAP controller is in this state and a rising edge is applied to TCK, the controller enters the Exit1-DR state if TMS is high or remains in the Shift-DR state if TMS is low.  |
| Exit1-DR         | This is a temporary state. While in this state, if TMS is held high, a rising edge applied to TCK causes the controller to enter the Update-DR state, which terminates the scanning process. If TMS is held low and a rising edge is applied to TCK, the controller enters the Pause-DR state. The test data register selected by the current instruction retains its previous value and the instruction does not change during this state.   |
| Pause-DR         | The pause state allows the test controller to temporarily halt the shifting of data through the test data register in the serial path between TDI and TDO. For example, this state could be used to allow the tester to reload its pin memory from disk during application of a long test sequence. The test data register selected by the current instruction retains its previous value and the instruction does not change during this state. The controller remains in this state as long as TMS is low. When TMS goes high and a rising edge is applied to TCK, the controller moves to the Exit2-DR state.                      |
| Exit2-DR         | This is a temporary state. While in this state, if TMS is held high, a rising edge applied to TCK causes the controller to enter the Update-DR state, which terminates the scanning process. If TMS is held low and a rising edge is applied to TCK, the controller enters the Shift-DR state. The test data register selected by the current instruction retains its previous value and the instruction does not change during this state.   |
| Update-DR        | The Boundary Scan Register is provided with a latched parallel output to prevent changes while data is shifted in response to the EXTEST and SAMPLE/PRELOAD instructions. When the TAP controller is in this state and the Boundary Scan Register is selected, data is latched into the parallel output of this register from the shift-register path on the falling edge of TCK. The data held at the latched parallel output changes only in this state. All shift-register stages in the test data register selected by the current instruction retain their previous value and the instruction does not change during this state. |
| Select-IR-Scan   | This is a temporary controller state. The test data register selected by the current instruction retains its previous state. If TMS is held low and a rising edge is applied to TCK when in this state, the controller moves into the Capture-IR state, and a scan sequence for the instruction register is initiated. If TMS is held high and a rising edge is applied to TCK, the controller moves to the Test-Logic-Reset state. The instruction does not change during this state.  |
| Capture-IR       | In this controller state, the shift register contained in the instruction register loads a fixed value of '100' on the rising edge of TCK. This supports fault-isolation of the board-level serial test data path. Data registers selected by the current instruction retain their value and the instruction does not change during this state. When the controller is in this state and a rising edge is applied to TCK, the controller enters the Exit1-IR state if TMS is held high, or the Shift-IR state if TMS is held low.   |
| Shift-IR         | In this state, the shift register contained in the instruction register is connected between TDI and TDO and shifts data one stage towards its serial output on each rising edge of TCK. The test data register selected by the current instruction retains its previous value and the instruction does not change during this state. When the controller is in this state and a rising edge is applied to TCK, the controller enters the Exit1-IR state if TMS is held high, or remains in the Shift-IR state if TMS is held low.  |
| Exit1-IR         | This is a temporary state. While in this state, if TMS is held high, a rising edge applied to TCK causes the controller to enter the Update-IR state, which terminates the scanning process. If TMS is held low and a rising edge is applied to TCK, the controller enters the Pause-IR state. The test data register selected by the current instruction retains its previous value and the instruction does not change during this state.   |
| Pause-IR         | The pause state allows the test controller to temporarily halt the shifting of data through the instruction register. The test data register selected by the current instruction retains its previous value and the instruction does not change during this state. The controller remains in this state as long as TMS is low. When TMS goes high and a rising edge is applied to TCK, the controller moves to the Exit2-IR state.  |

Table-58 TAP Controller State Description (Continued)

| STATE     | DESCRIPTION   |
|-----------|---|
| Exit2-IR  | This is a temporary state. While in this state, if TMS is held high, a rising edge applied to TCK causes the controller to enter the Update-IR state, which terminates the scanning process. If TMS is held low and a rising edge is applied to TCK, the controller enters the Shift-IR state. The test data register selected by the current instruction retains its previous value and the instruction does not change during this state. |
| Update-IR | The instruction shifted into the instruction register is latched into the parallel output from the shift-register path on the falling edge of TCK. When the new instruction has been latched, it becomes the current instruction. The test data registers selected by the current instruction retain their previous value.  |

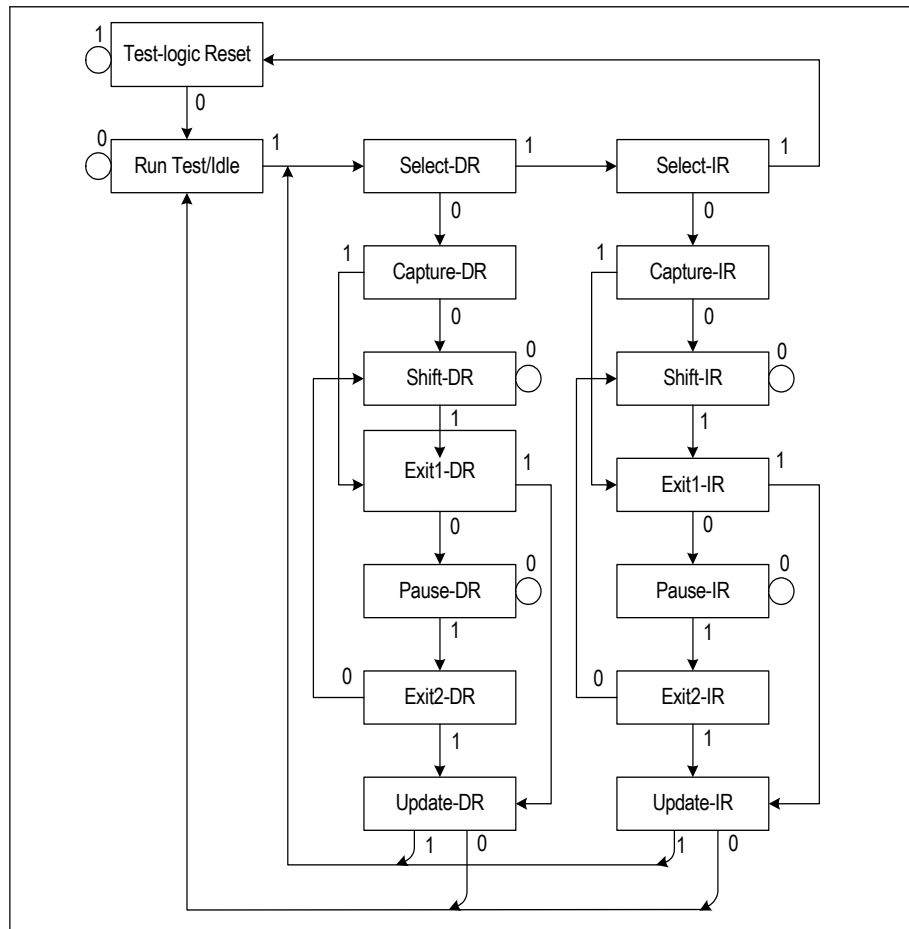


Figure-23 JTAG State Diagram

## 7 TEST SPECIFICATIONS

Table-59 Absolute Maximum Rating

| Symbol     | Parameter  | Min               | Max      | Unit |
|------------|--|-------------------|----------|------|
| VDDA, VDDD | Core Power Supply                                    | -0.5              | 4.6      | V    |
| VDDIO      | I/O Power Supply                                     | -0.5              | 4.6      | V    |
| VDDT1-2    | Transmit Power Supply                                | -0.5              | 4.6      | V    |
| VDDR1-2    | Receive Power Supply                                 | -0.5              | 4.6      | V    |
| Vin        | Input Voltage, Any Digital Pin                       | GND-0.5           | 5.5      | V    |
|            | Input Voltage, Any RTIPn and RRINGn pin <sup>1</sup> | GND-0.5           | VDDR+0.5 | V    |
|            | ESD Voltage, any pin                                 | 2000 <sup>2</sup> |          | V    |
|            |  | 500 <sup>3</sup>  |          | V    |
| Iin        | Transient latch-up current, any pin                  |                   | 100      | mA   |
|            | Input current, any digital pin <sup>4</sup>          | -10               | 10       | mA   |
|            | DC Input current, any analog pin <sup>4</sup>        |                   | ±100     | mA   |
| Pd         | Maximum power dissipation in package                 |                   | 1.23     | W    |
| Tc         | Case Temperature                                     |                   | 120      | °C   |
| Ts         | Storage Temperature                                  | -65               | +150     | °C   |

**CAUTION:**

Exceeding these values may cause permanent damage. Functional operation under these conditions is not implied. Exposure to absolute maximum rating conditions for extended periods may affect device reliability.

- 1.Reference to ground
- 2.Human body model
- 3.Charge device model
- 4.Constant input current

Table-60 Recommended Operation Conditions

| Symbol                                     | Parameter                     | Min                    | Typ | Max  | Unit |    |
|--|-------------------------------|------------------------|-----|------|------|----|
| VDDA,VDDD                                  | Core Power Supply             | 3.13                   | 3.3 | 3.47 | V    |    |
| VDDIO                                      | I/O Power Supply              | 3.13                   | 3.3 | 3.47 | V    |    |
| VDDT                                       | Transmitter Power Supply      | 3.13                   | 3.3 | 3.47 | V    |    |
| VDDR                                       | Receive Power Supply          | 3.13                   | 3.3 | 3.47 | V    |    |
| TA   | Ambient operating temperature | -40                    | 25  | 85   | °C   |    |
| Total current dissipation <sup>1,2,3</sup> | E1, 75 Ω load                 | 50% ones density data  | -   | 100  | 110  | mA |
|  |                               | 100% ones density data | -   | 130  | 140  |    |
|  | E1, 120 Ω Load                | 50% ones density data  | -   | 110  | 120  | mA |
|  |                               | 100% ones density data | -   | 130  | 140  |    |
|  | T1, 100 Ω Load                | 50% ones density data  | -   | 120  | 130  | mA |
|  |                               | 100% ones density data | -   | 170  | 180  |    |
|  | J1, 110 Ω Load                | 50% ones density data  | -   | 100  | 110  | mA |
|  |                               | 100% ones density data | -   | 130  | 140  |    |

1.Power consumption includes power consumption on device and load. Digital levels are 10% of the supply rails and digital outputs driving a 50 pF capacitive load.

2.Maximum power consumption over the full operating temperature and power supply voltage range.

3.In short haul mode, if internal impedance matching is chosen, E1 75Ω power dissipation values are measured with template PULS[3:0] = 0000; E1 120Ω power dissipation values are measured with template PULS[3:0] = 0001; T1 power dissipation values are measured with template PULS[3:0] = 0110; J1 power dissipation values are measured with template PULS[3:0] = 0111.

Table-61 Power Consumption

| Symbol | Parameter                          | Min                     | Typ | Max <sup>1,2</sup> | Unit |    |
|--------|------------------------------------|-------------------------|-----|--------------------|------|----|
|        | E1, 3.3 V, 75 Ω Load               | 50% ones density data:  | -   | 330                | -    | mW |
|        |                                    | 100% ones density data: | -   | 430                | 490  |    |
|        | E1, 3.3 V, 120 Ω Load              | 50% ones density data:  | -   | 370                | -    | mW |
|        |                                    | 100% ones density data: | -   | 430                | 490  |    |
|        | T1, 3.3 V, 100 Ω Load <sup>3</sup> | 50% ones density data:  | -   | 400                | -    | mW |
|        |                                    | 100% ones density data: | -   | 560                | 630  |    |
|        | J1, 3.3 V, 110 Ω Load              | 50% ones density data:  | -   | 330                | -    | mW |
|        |                                    | 100% ones density data: | -   | 430                | 490  |    |

1.Maximum power and current consumption over the full operating temperature and power supply voltage range. Includes all channels.

2.Power consumption includes power absorbed by line load and external transmitter components.

3.T1 is measured with maximum cable length.

Table-62 DC Characteristics

| Symbol          | Parameter  | Min | Typ | Max | Unit |
|-----------------|--|-----|-----|-----|------|
| V <sub>IL</sub> | Input Low Level Voltage                            | -   | -   | 0.8 | V    |
| V <sub>IH</sub> | Input High Voltage                                 | 2.0 | -   | -   | V    |
| V <sub>OL</sub> | Output Low level Voltage (I <sub>out</sub> =1.6mA) | -   | -   | 0.4 | V    |

Table-62 DC Characteristics (Continued)

| Symbol          | Parameter   | Min | Typ | Max      | Unit     |
|-----------------|---|-----|-----|----------|----------|
| V <sub>OH</sub> | Output High level Voltage (I <sub>out</sub> =400μA)                     | 2.4 | -   | VDDIO    | V        |
| V <sub>MA</sub> | Analog Input Quiescent Voltage (RTIPn, RRINGn pin while floating)       |     | 1.5 |          | V        |
| I <sub>I</sub>  | Input Leakage Current<br>TMS, TDI, TRST<br>All other digital input pins | -10 |     | 50<br>10 | μA<br>μA |
| I <sub>ZL</sub> | High Impedance Leakage Current  | -10 |     | 10       | μA       |
| C <sub>i</sub>  | Input capacitance   |     |     | 15       | pF       |
| C <sub>o</sub>  | Output load capacitance   |     |     | 50       | pF       |
| C <sub>o</sub>  | Output load capacitance (bus pins)                                      |     |     | 100      | pF       |

Table-63 E1 Receiver Electrical Characteristics

| Symbol | Parameter   | Min            | Typ        | Max        | Unit                 | Test conditions                           |
|--------|---|----------------|------------|------------|----------------------|---|
|        | Receiver sensitivity<br>Short haul with cable loss@1024kHz:<br>Long haul with cable loss@1024kHz: |                |            | -10<br>-43 | dB                   |   |
|        | Analog LOS level<br>Short haul<br>Long haul   | -4             | 800        | -48        | mVp-p<br>dB          | A LOS level is programmable for Long Haul |
|        | Allowable consecutive zeros before LOS<br>G.775:<br>I.431/ETSI300233:                             |                | 32<br>2048 |            |                      |   |
|        | LOS reset   | 12.5           |            |            | % ones               | G.775, ETSI 300 233                       |
|        | Receive Intrinsic Jitter<br>20Hz - 100kHz   |                |            | 0.05       | U.I.                 | JA enabled                                |
|        | Input Jitter Tolerance<br>1 Hz – 20 Hz<br>20 Hz – 2.4 KHz<br>18 KHz – 100 KHz                     | 37<br>5<br>2   |            |            | U.I.<br>U.I.<br>U.I. | G.823, with 6 dB cable attenuation        |
| ZDM    | Receiver Differential Input Impedance   | 20             |            |            | KΩ                   | Internal mode                             |
|        | Input termination resistor tolerance  |                |            | ±1%        |                      |   |
| RRX    | Receive Return Loss<br>51 KHz – 102 KHz<br>102 KHz - 2.048 MHz<br>2.048 MHz – 3.072 MHz           | 20<br>20<br>20 |            |            | dB<br>dB<br>dB       | G.703 Internal termination                |
| RPD    | Receive path delay<br>Single rail<br>Dual rail  |                | 7<br>2     |            | U.I.<br>U.I.         | JA disabled                               |



Table-64 T1/J1 Receiver Electrical Characteristics

| Symbol | Parameter   | Min                  | Typ         | Max                             | Unit                         | Test conditions                           |
|--------|---|----------------------|-------------|---------------------------------|------------------------------|---|
|        | receiver sensitivity<br>Short haul with cable loss@772kHz:<br>Long haul with cable loss@772kHz: |                      |             | -10<br>-36                      | dB                           |   |
|        | Analog LOS level<br>Short haul<br>Long haul   | -4                   | 800         | -48                             | mVp-p<br>dB                  | A LOS level is programmable for Long Haul |
|        | Allowable consecutive zeros before LOS<br>T1.231-1993<br>I.431                                  |                      | 175<br>1544 |                                 |                              |   |
|        | LOS reset   | 12.5                 |             |                                 | % ones                       | G.775, ETSI 300 233                       |
|        | Receive Intrinsic Jitter<br>10 Hz - 8 kHz<br>10 Hz - 40 kHz<br>8 kHz - 40 kHz<br>Wide band      |                      |             | 0.02<br>0.025<br>0.025<br>0.050 | U.I.<br>U.I.<br>U.I.<br>U.I. | JA enabled ( in receive path)             |
|        | Input Jitter Tolerance<br>0.1 Hz – 1 Hz<br>4.9 Hz – 300 Hz<br>10 KHz – 100 KHz                  | 138.0<br>28.0<br>0.4 |             |                                 | U.I.<br>U.I.<br>U.I.         | AT&T62411                                 |
| ZDM    | Receiver Differential Input Impedance   | 20                   |             |                                 | K $\Omega$                   | Internal mode                             |
|        | Input termination resistor tolerance  |                      |             | $\pm 1\%$                       |                              |   |
| RRX    | Receive Return Loss<br>39 KHz – 77 KHz<br>77 KHz - 1.544 MHz<br>1.544 MHz – 2.316 MHz           | 20<br>20<br>20       |             |                                 | dB<br>dB<br>dB               | G.703<br>Internal termination             |
| RPD    | Receive path delay<br>Single rail<br>Dual rail  |                      | 7<br>2      |                                 | U.I.<br>U.I.                 | JA disabled                               |

Table-65 E1 Transmitter Electrical Characteristics

| Symbol | Parameter   | Min    | Typ  | Max   | Unit |
|--------|---|--------|------|-------|------|
| Vo-p   | Output pulse amplitudes   |        |      |       |      |
|        | E1, 75Ω load  | 2.14   | 2.37 | 2.60  | V    |
|        | E1, 120Ω load   | 2.7    | 3.0  | 3.3   | V    |
| Vo-s   | Zero (space) level  |        |      |       |      |
|        | E1, 75Ω load  | -0.237 |      | 0.237 | V    |
|        | E1, 120Ω load   | -0.3   |      | 0.3   | V    |
|        | Transmit amplitude variation with supply  | -1     |      | +1    | %    |
|        | Difference between pulse sequences for 17 consecutive pulses (T1.102)                               |        |      | 200   | mV   |
| Tpw    | Output Pulse Width at 50% of nominal amplitude  | 232    | 244  | 256   | ns   |
|        | Ratio of the amplitudes of Positive and Negative Pulses at the center of the pulse interval (G.703) | 0.95   |      | 1.05  |      |
|        | Ratio of the width of Positive and Negative Pulses at the center of the pulse interval (G.703)      | 0.95   |      | 1.05  |      |
| RTX    | Transmit Return Loss (G.703)  |        |      |       |      |
|        | 51 KHz – 102 KHz  |        | 20   |       | dB   |
|        | 102 KHz - 2.048 MHz   |        | 15   |       | dB   |
|        | 2.048 MHz – 3.072 MHz   |        | 12   |       | dB   |
| JTXp-p | Intrinsic Transmit Jitter (TCLK is jitter free)   |        |      |       |      |
|        | 20 Hz – 100 KHz   |        |      | 0.050 | U.I. |
| Td     | Transmit path delay (JA is disabled)  |        |      |       |      |
|        | Single rail   |        | 8.5  |       | U.I. |
|        | Dual rail   |        | 4.5  |       | U.I. |
| Isc    | Line short circuit current; tested on the TTIP/TRING pins   |        | 100  |       | mAp  |

Table-66 T1/J1 Transmitter Electrical Characteristics

| Symbol          | Parameter  | Min         | Typ | Max   | Unit            |
|-----------------|--|-------------|-----|-------|-----------------|
| Vo-p            | Output pulse amplitudes  | 2.4         | 3.0 | 3.6   | V               |
| Vo-s            | Zero (space) level   | -0.15       |     | 0.15  | V               |
|                 | Transmit amplitude variation with supply   | -1          |     | +1    | %               |
|                 | Difference between pulse sequences for 17 consecutive pulses (T1.102)              |             |     | 200   | mV              |
| TPW             | Output Pulse Width at 50% of nominal amplitude                                     | 338         | 350 | 362   | ns              |
|                 | Pulse width variation at the half amplitude (T1.102)                               |             |     | 20    | ns              |
|                 | Imbalance between Positive and Negative Pulses amplitude (T1.102)                  | 0.95        |     | 1.05  |                 |
|                 | Output power level (T1.102)<br>@772kHz<br>@1544kHz (referenced to power at 772kHz) | 12.6<br>-29 |     | 17.9  | dBm<br>dBm      |
| RTX             | Transmit Return Loss   |             |     |       |                 |
|                 | 39 KHz – 77 KHz  |             | 20  |       | dB              |
|                 | 77 KHz – 1.544 MHz   |             | 15  |       | dB              |
|                 | 1.544 MHz – 2.316 MHz  |             | 12  |       | dB              |
| JTXP-P          | Intrinsic Transmit Jitter (TCLK is jitter free)                                    |             |     |       |                 |
|                 | 10 Hz – 8 KHz  |             |     | 0.020 | U.I.p-p         |
|                 | 8 KHz – 40 KHz   |             |     | 0.025 | U.I.p-p         |
|                 | 10 Hz – 40 KHz   |             |     | 0.025 | U.I.p-p         |
|                 | wide band  |             |     | 0.050 | U.I.p-p         |
| Td              | Transmit path delay (JA is disabled)   |             |     |       |                 |
|                 | Single rail  |             | 8.5 |       | U.I.            |
|                 | Dual rail  |             | 4.5 |       | U.I.            |
| I <sub>sc</sub> | Line short circuit current; tested on the TTIP/TRING pins                          |             | 100 |       | mA <sub>p</sub> |

Table-67 Transmitter and Receiver Timing Characteristics

| Symbol        | Parameter                                       | Min        | Typ            | Max        | Unit |
|---------------|---|------------|----------------|------------|------|
|               | MCLK frequency                                  |            |                |            |      |
|               | E1:<br>T1/J1:                                   |            | 2.048<br>1.544 |            | MHz  |
|               | MCLK tolerance                                  | -100       |                | 100        | ppm  |
|               | MCLK duty cycle                                 | 30         |                | 70         | %    |
| Transmit path |   |            |                |            |      |
|               | TCLK frequency                                  |            |                |            |      |
|               | E1:<br>T1/J1:                                   |            | 2.048<br>1.544 |            | MHz  |
|               | TCLK tolerance                                  | -50        |                | +50        | ppm  |
|               | TCLK Duty Cycle                                 | 10         |                | 90         | %    |
| t1            | Transmit Data Setup Time                        | 40         |                |            | ns   |
| t2            | Transmit Data Hold Time                         | 40         |                |            | ns   |
|               | Delay time of THZ low to driver high impedance  |            |                | 10         | us   |
|               | Delay time of TCLK low to driver high impedance |            | 75             |            | U.I. |
| Receive path  |   |            |                |            |      |
|               | Clock recovery capture range <sup>1</sup>       | E1         |                | ± 80       | ppm  |
|               |   | T1/J1      |                | ± 180      |      |
|               | RCLK duty cycle <sup>2</sup>                    | 40         | 50             | 60         | %    |
| t4            | RCLK pulse width <sup>2</sup>                   |            |                |            |      |
|               | E1:<br>T1/J1:                                   | 457<br>607 | 488<br>648     | 519<br>689 | ns   |
| t5            | RCLK pulse width low time                       |            |                |            |      |
|               | E1:<br>T1/J1:                                   | 203<br>259 | 244<br>324     | 285<br>389 | ns   |
| t6            | RCLK pulse width high time                      |            |                |            |      |
|               | E1:<br>T1/J1:                                   | 203<br>259 | 244<br>324     | 285<br>389 | ns   |
|               | Rise/fall time <sup>3</sup>                     |            |                | 20         | ns   |
| t7            | Receive Data Setup Time                         |            |                |            |      |
|               | E1:<br>T1/J1:                                   | 200<br>200 | 244<br>324     |            | ns   |
| t8            | Receive Data Hold Time                          |            |                |            |      |
|               | E1:<br>T1/J1:                                   | 200<br>200 | 244<br>324     |            | ns   |

1.Relative to nominal frequency, MCLK= ± 100 ppm

2.RCLK duty cycle widths will vary depending on extent of received pulse jitter displacement. Maximum and minimum RCLK duty cycles are for worst case jitter conditions (0.2UI displacement for E1 per ITU G.823).

3.For all digital outputs. C load = 15pF

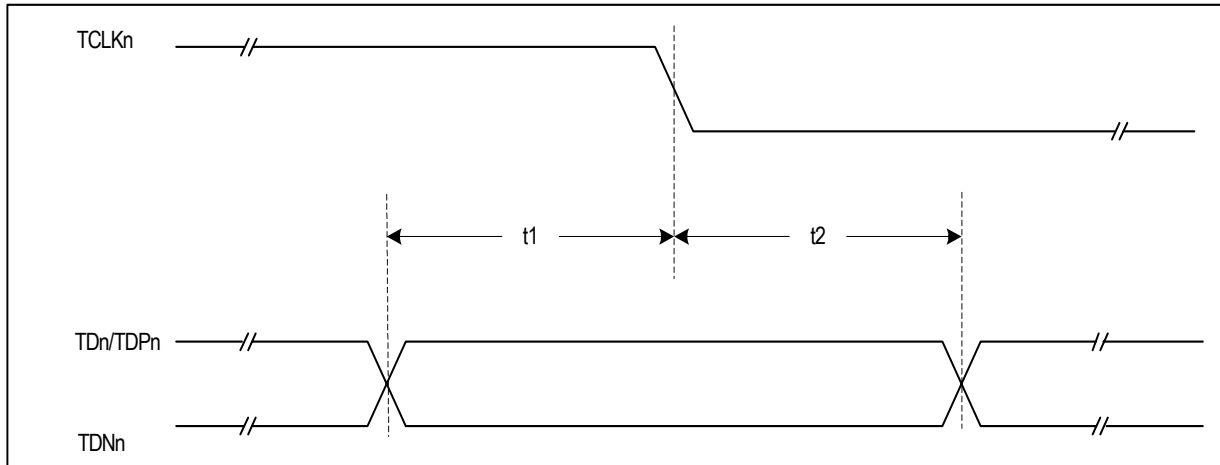


Figure-24 Transmit System Interface Timing

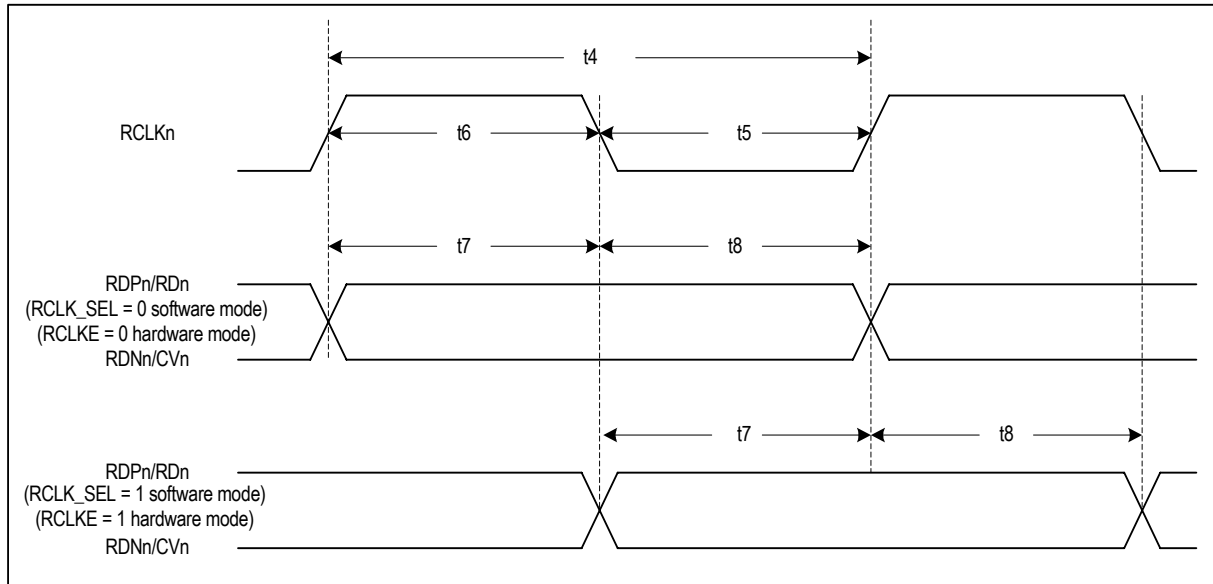


Figure-25 Receive System Interface Timing

Table-68 Jitter Tolerance

| Jitter Tolerance | Min   | Typ | Max | Unit | Standard                          |
|------------------|-------|-----|-----|------|-----------------------------------|
| E1: 1 Hz         | 37    |     |     | U.I. | G.823<br>Cable attenuation is 6dB |
| 20 Hz – 2.4 KHz  | 1.5   |     |     | U.I. |                                   |
| 18 KHz – 100 KHz | 0.2   |     |     | U.I. |                                   |
| T1/J1: 1 Hz      | 138.0 |     |     | U.I. | AT&T 62411                        |
| 4.9 Hz – 300 Hz  | 28.0  |     |     | U.I. |                                   |
| 10 KHz – 100 KHz | 0.4   |     |     | U.I. |                                   |

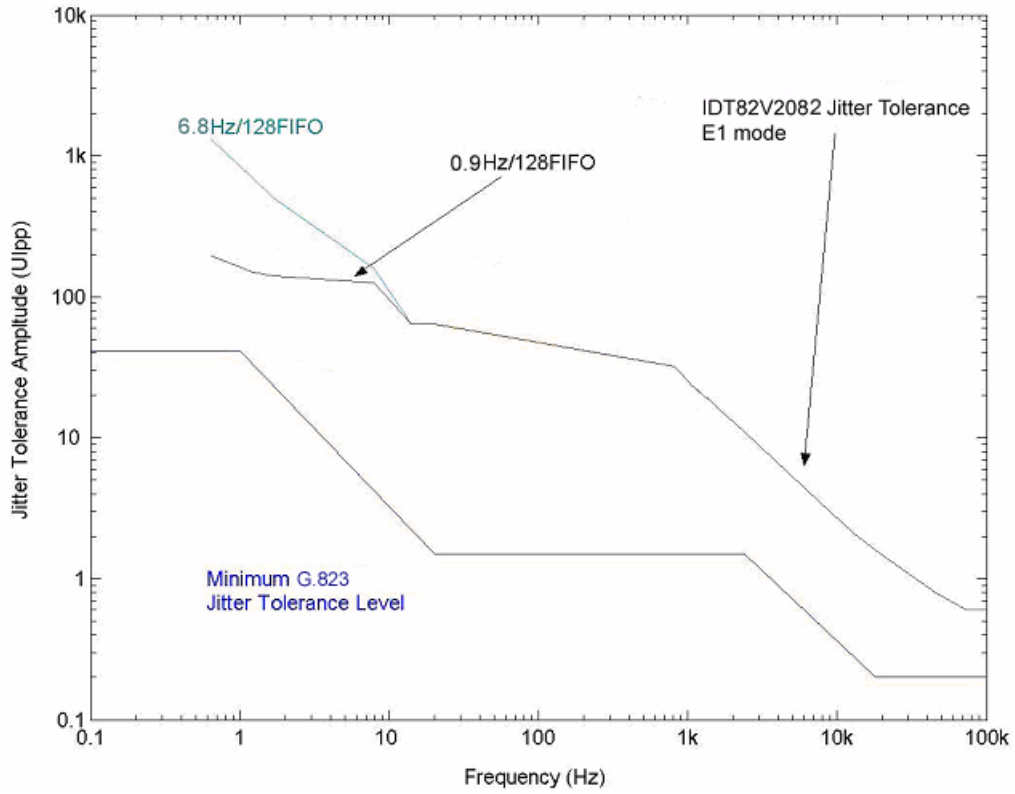


Figure-26 E1 Jitter Tolerance Performance

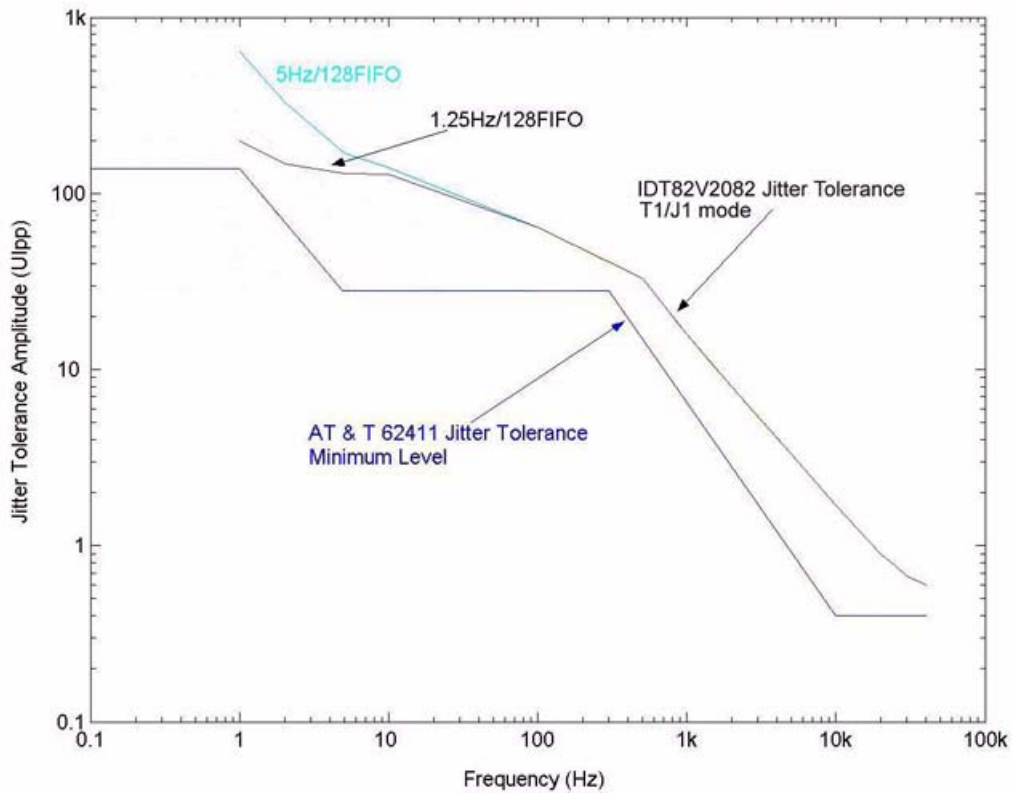


Figure-27 T1/J1 Jitter Tolerance Performance

Table-69 Jitter Attenuator Characteristics

| Parameter   | Min   | Typ  | Max | Unit |
|---|-------|------|-----|------|
| <b>Jitter Transfer Function Corner (-3dB) Frequency</b> |       |      |     |      |
| E1, 32/64/128 bits FIFO<br>JABW = 0:                    |       | 6.8  |     | Hz   |
| JABW = 1:   |       | 0.9  |     | Hz   |
| T1/J1, 32/64/128 bits FIFO<br>JABW = 0:                 |       | 5    |     | Hz   |
| JABW = 1:   |       | 1.25 |     | Hz   |
| <b>Jitter Attenuator</b>                                |       |      |     |      |
| E1: (G.736)<br>@ 3 Hz                                   | -0.5  |      |     | dB   |
| @ 40 Hz   | -0.5  |      |     |      |
| @ 400 Hz  | +19.5 |      |     |      |
| @ 100 kHz   | +19.5 |      |     |      |
| T1/J1: (Per AT&T pub.62411)<br>@ 1 Hz                   | 0     |      |     |      |
| @ 20 Hz   | 0     |      |     |      |
| @ 1 kHz   | +33.3 |      |     |      |
| @ 1.4 kHz   | 40    |      |     |      |
| @ 70 kHz  | 40    |      |     |      |
| <b>Jitter Attenuator Latency Delay</b>                  |       |      |     |      |

Table-69 Jitter Attenuator Characteristics (Continued)

| Parameter  | Min | Typ | Max | Unit |
|--|-----|-----|-----|------|
| 32 bits FIFO:  |     | 16  |     | U.I. |
| 64 bits FIFO:  |     | 32  |     | U.I. |
| 128 bits FIFO:   |     | 64  |     | U.I. |
| Input jitter tolerance before FIFO overflow or underflow |     |     |     |      |
| 32 bits FIFO:  |     | 28  |     | U.I. |
| 64 bits FIFO:  |     | 58  |     | U.I. |
| 128 bits FIFO:   |     | 120 |     | U.I. |

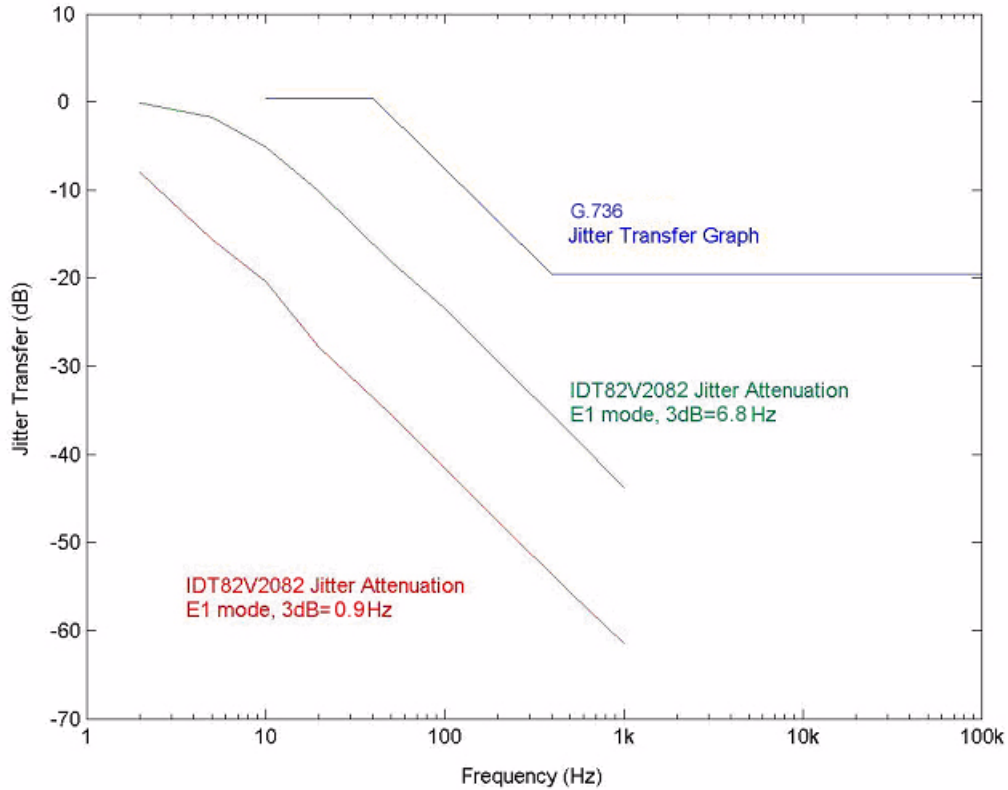


Figure-28 E1 Jitter Transfer Performance



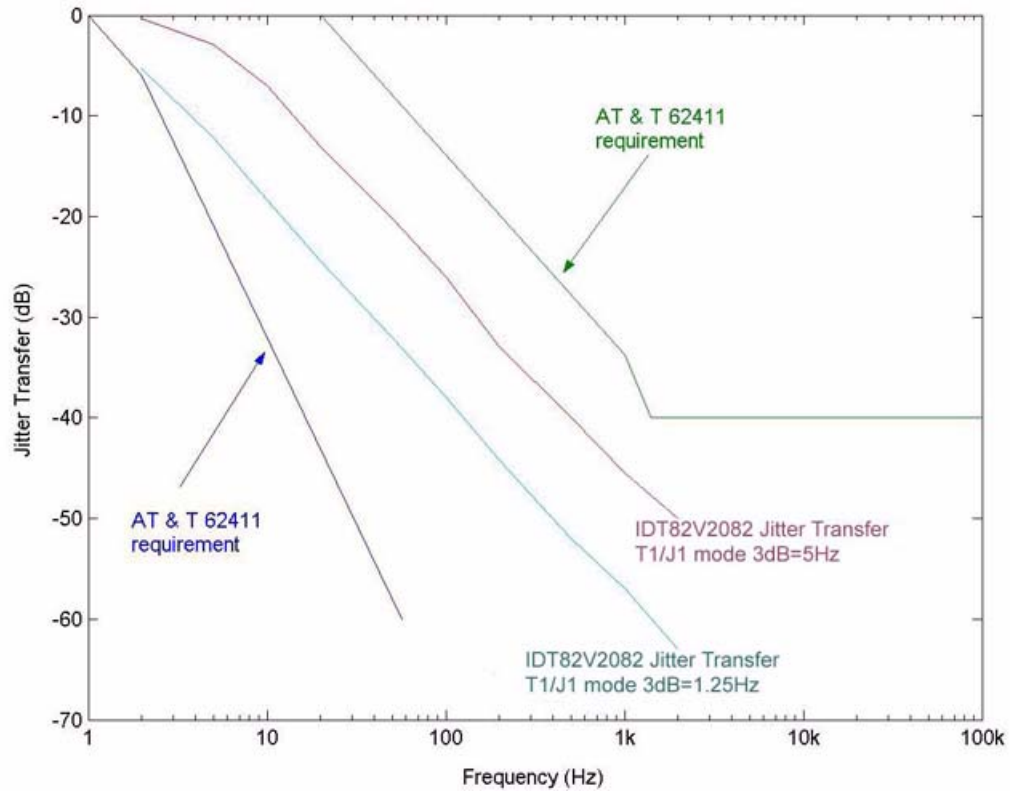


Figure-29 T1/J1 Jitter Transfer Performance

Table-70 JTAG Timing Characteristics

| Symbol | Parameter                                      | Min | Typ | Max | Unit |
|--------|--|-----|-----|-----|------|
| t1     | TCK Period                                     | 100 |     |     | ns   |
| t2     | TMS to TCK setup Time<br>TDI to TCK Setup Time | 25  |     |     | ns   |
| t3     | TCK to TMS Hold Time<br>TCK to TDI Hold Time   | 25  |     |     | ns   |
| t4     | TCK to TDO Delay Time                          |     |     | 50  | ns   |

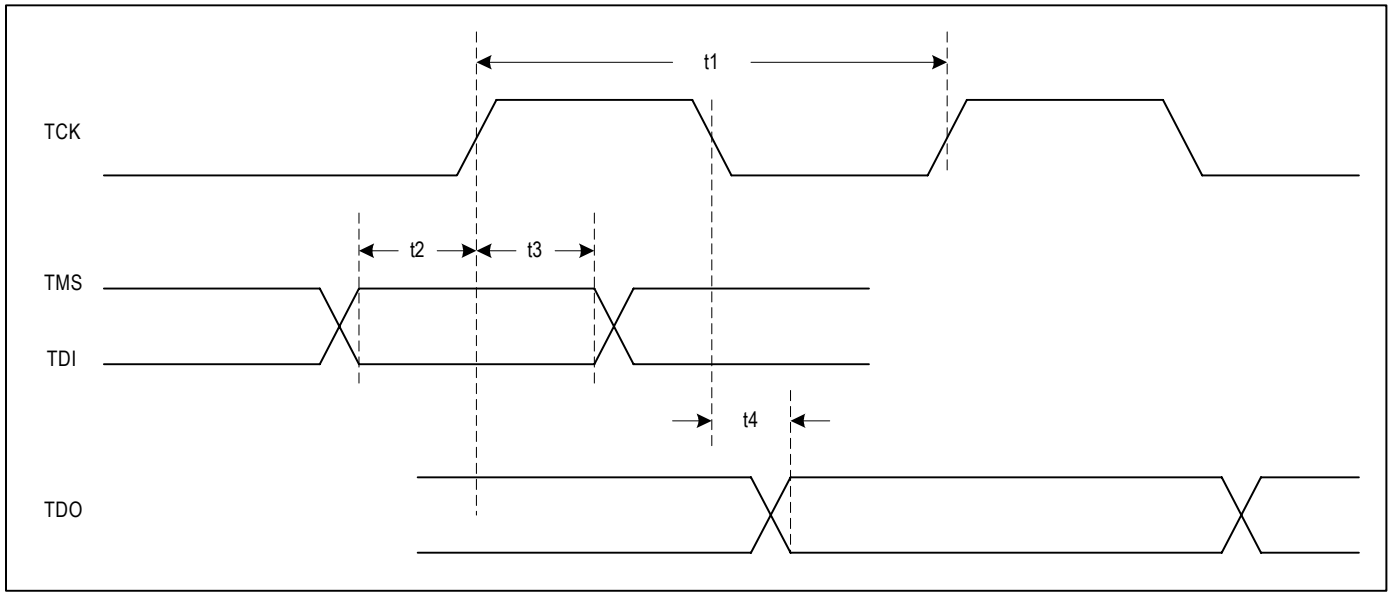


Figure-30 JTAG Interface Timing

## 8 MICROCONTROLLER INTERFACE TIMING CHARACTERISTICS

### 8.1 SERIAL INTERFACE TIMING

Table-71 Serial Interface Timing Characteristics

| Symbol | Parameter  | Min | Typ | Max | Unit | Comments |
|--------|--|-----|-----|-----|------|----------|
| t1     | SCLK High Time   | 100 |     |     | ns   |          |
| t2     | SCLK Low Time  | 100 |     |     | ns   |          |
| t3     | Active $\overline{CS}$ to SCLK Setup Time                | 5   |     |     | ns   |          |
| t4     | Last SCLK Hold Time to Inactive $\overline{CS}$ Time     | 41  |     |     | ns   |          |
| t5     | $\overline{CS}$ Idle Time                                | 41  |     |     | ns   |          |
| t6     | SDI to SCLK Setup Time                                   | 0   |     |     | ns   |          |
| t7     | SCLK to SDI Hold Time                                    | 82  |     |     | ns   |          |
| t10    | SCLK to SDO Valid Delay Time                             |     |     | 95  | ns   |          |
| t11    | Inactive $\overline{CS}$ to SDO High Impedance Hold Time |     |     | 90  | ns   |          |

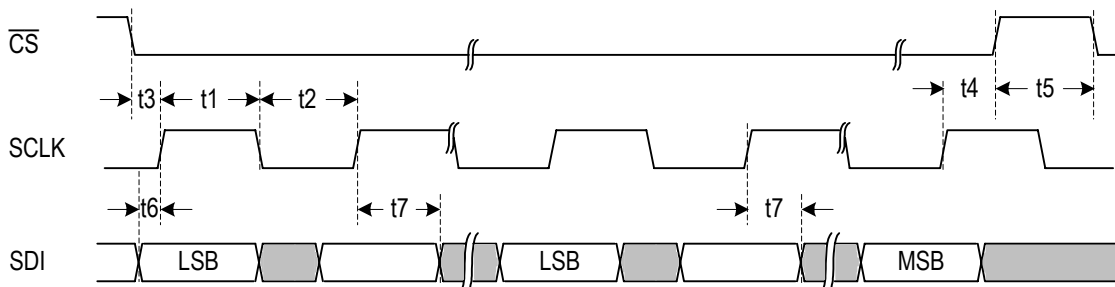


Figure-31 Serial Interface Write Timing

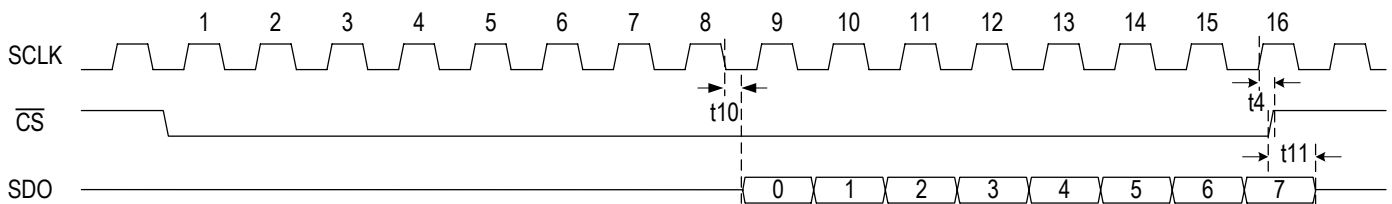


Figure-32 Serial Interface Read Timing with SCLKE=1

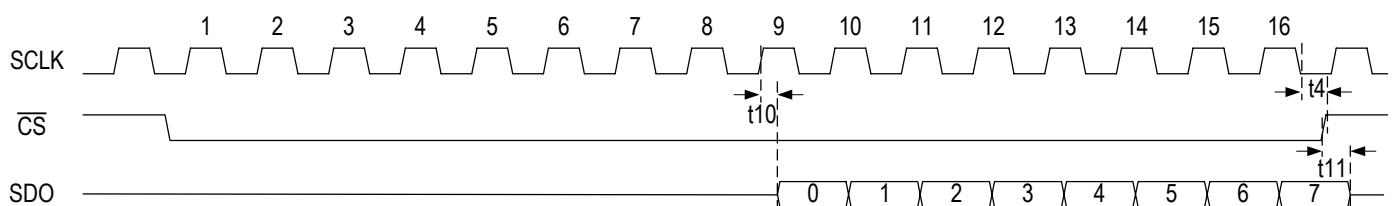


Figure-33 Serial Interface Read Timing with SCLKE=0

## 8.2 PARALLEL INTERFACE TIMING

Table-72 Non-Multiplexed Motorola Read Timing Characteristics

| Symbol    | Parameter  | Min | Max | Unit |
|-----------|--|-----|-----|------|
| tRC       | Read Cycle Time  | 190 |     | ns   |
| tDW       | Valid $\overline{DS}$ Width                                    | 180 |     | ns   |
| tRWV      | Delay from $\overline{DS}$ to Valid Read Signal                |     | 15  | ns   |
| tRWH      | R/ $\overline{W}$ to $\overline{DS}$ Hold Time                 | 65  |     | ns   |
| tAV       | Delay from $\overline{DS}$ to Valid Address                    |     | 15  | ns   |
| tADH      | Address to $\overline{DS}$ Hold Time                           | 65  |     | ns   |
| tPRD      | $\overline{DS}$ to Valid Read Data Propagation Delay           |     | 175 | ns   |
| tDAZ      | Delay from $\overline{DS}$ inactive to data bus High Impedance | 5   | 20  | ns   |
| tRecovery | Recovery Time from Read Cycle                                  | 5   |     | ns   |

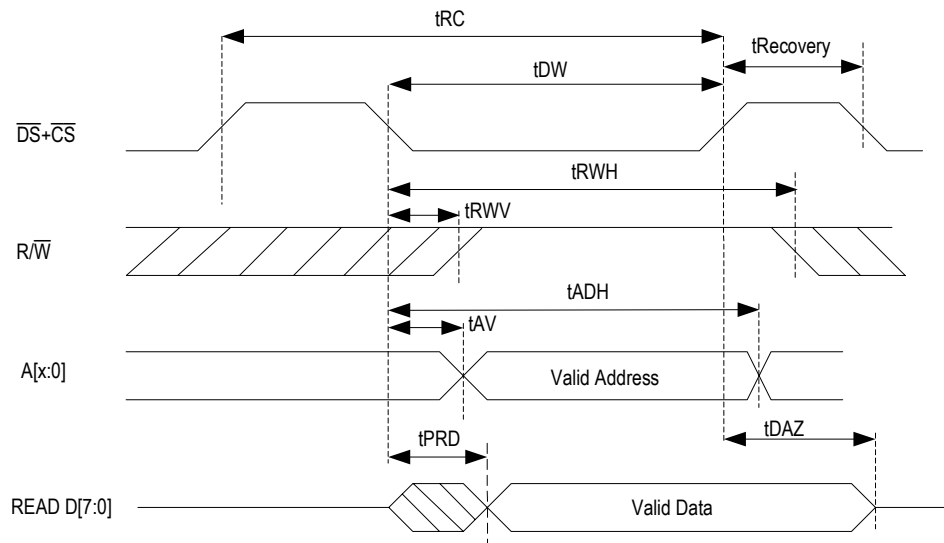


Figure-34 Non-Multiplexed Motorola Read Timing

Table-73 Non-Multiplexed Motorola Write Timing Characteristics

| Symbol    | Parameter  | Min | Max | Unit |
|-----------|--|-----|-----|------|
| tWC       | Write Cycle Time                                 | 120 |     | ns   |
| tDW       | Valid $\overline{DS}$ Width                      | 100 |     | ns   |
| tRWV      | Delay from $\overline{DS}$ to Valid Write Signal |     | 15  | ns   |
| tRWH      | R/ $\overline{W}$ to $\overline{DS}$ Hold Time   | 65  |     | ns   |
| tAV       | Delay from $\overline{DS}$ to Valid Address      |     | 15  | ns   |
| tAH       | Address to $\overline{DS}$ Hold Time             | 65  |     | ns   |
| tDV       | Delay from $\overline{DS}$ to Valid Write Data   |     | 15  | ns   |
| tDHW      | Write Data to $\overline{DS}$ Hold Time          | 65  |     | ns   |
| tRecovery | Recovery Time from Write Cycle                   | 5   |     | ns   |

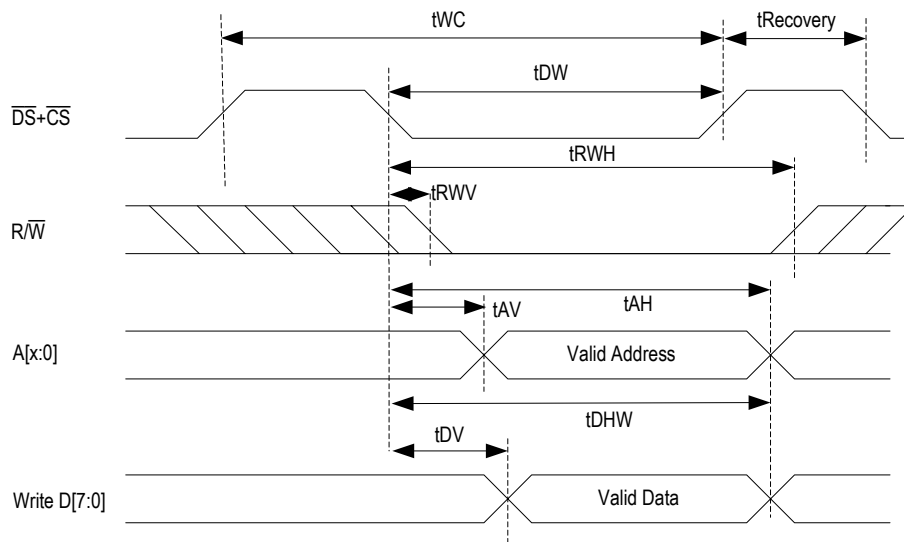
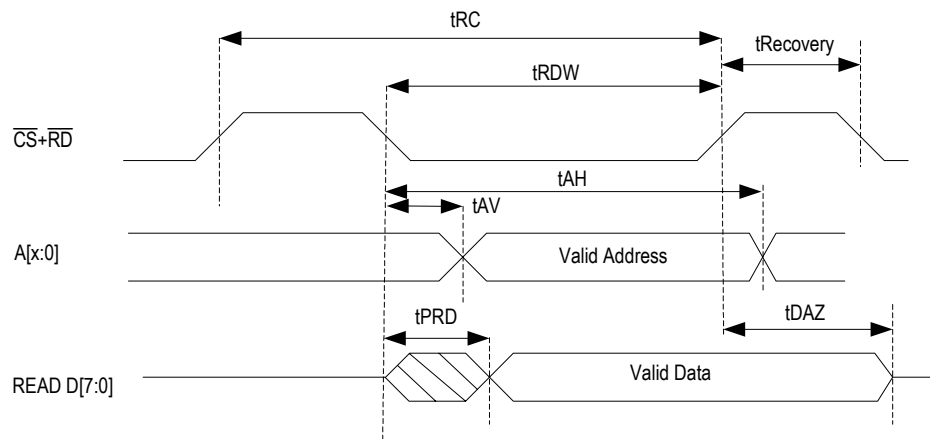


Figure-35 Non-Multiplexed Motorola Write Timing

Table-74 Non-Multiplexed Intel Read Timing Characteristics

| Symbol    | Parameter   | Min | Max | Unit |
|-----------|---|-----|-----|------|
| tRC       | Read Cycle Time                                   | 190 |     | ns   |
| tRDW      | Valid RD Width                                    | 180 |     | ns   |
| tAV       | Delay from RD to Valid Address                    |     | 15  | ns   |
| tAH       | Address to RD Hold Time                           | 65  |     | ns   |
| tPRD      | RD to Valid Read Data Propagation Delay           |     | 175 | ns   |
| tDAZ      | Delay from RD inactive to data bus High Impedance | 5   | 20  | ns   |
| tRecovery | Recovery Time from Read Cycle                     | 5   |     | ns   |

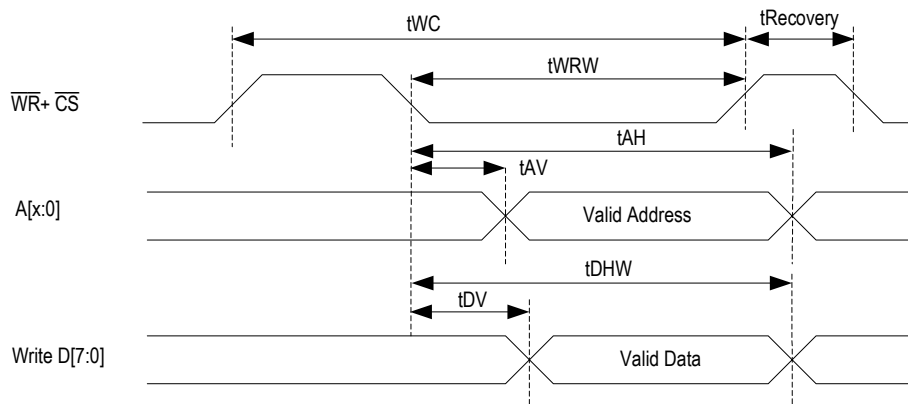


Note:  $\overline{WR}$  should be tied to high

**Figure-36 Non-Multiplexed Intel Read Timing**

Table-75 Non-Multiplexed Intel Write Timing Characteristics

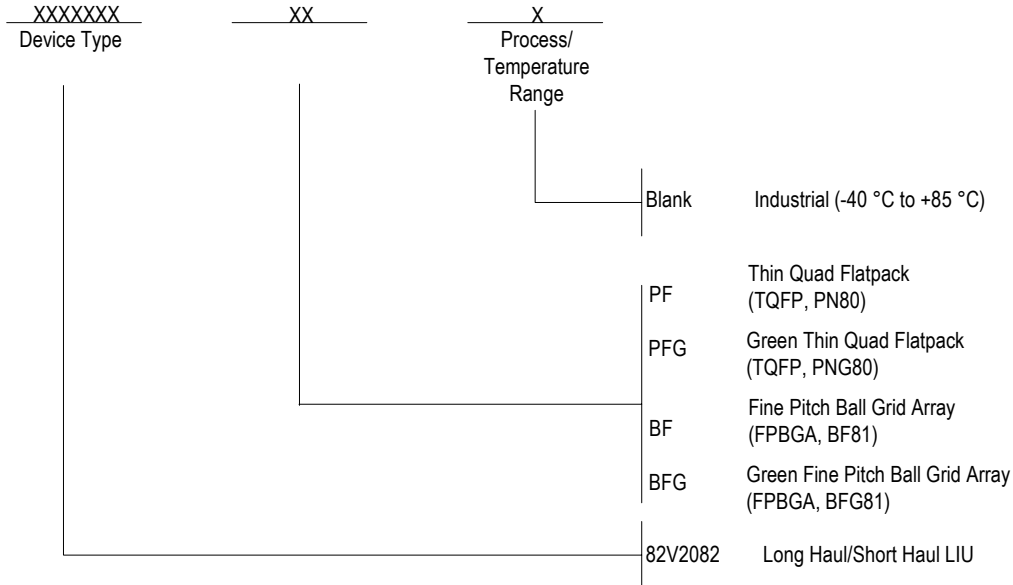
| Symbol    | Parameter                                      | Min | Max | Unit |
|-----------|--|-----|-----|------|
| tWC       | Write Cycle Time                               | 120 |     | ns   |
| tWRW      | Valid $\overline{WR}$ Width                    | 100 |     | ns   |
| tAV       | Delay from $\overline{WR}$ to Valid Address    |     | 15  | ns   |
| tAH       | Address to $\overline{WR}$ Hold Time           | 65  |     | ns   |
| tDV       | Delay from $\overline{WR}$ to Valid Write Data |     | 15  | ns   |
| tDHW      | Write Data to $\overline{WR}$ Hold Time        | 65  |     | ns   |
| tRecovery | Recovery Time from Write Cycle                 | 5   |     | ns   |



Note:  $\overline{RD}$  should be tied to high

**Figure-37 Non-Multiplexed Intel Write Timing**

**ORDERING INFORMATION**



**DATASHEET DOCUMENT HISTORY**

- 08/26/2003 pgs. 19, 20, 21,22, 33, 37, 45, 63, 64
- 04/09/2004 pgs. 14, 22, 24, 56
- 07/19/2004 pgs. 34, 66, 67
- 12/12/2005 pgs. 1, 16, 24, 25, 34, 43, 44, 52, 73, 74, 87
- 11/24/2009 pgs 10, 11,12, 13, 14, 15, 16, 17, 18, 64, 65, 88



## IMPORTANT NOTICE AND DISCLAIMER

RENESAS ELECTRONICS CORPORATION AND ITS SUBSIDIARIES (“RENESAS”) PROVIDES TECHNICAL SPECIFICATIONS AND RELIABILITY DATA (INCLUDING DATASHEETS), DESIGN RESOURCES (INCLUDING REFERENCE DESIGNS), APPLICATION OR OTHER DESIGN ADVICE, WEB TOOLS, SAFETY INFORMATION, AND OTHER RESOURCES “AS IS” AND WITH ALL FAULTS, AND DISCLAIMS ALL WARRANTIES, EXPRESS OR IMPLIED, INCLUDING, WITHOUT LIMITATION, ANY IMPLIED WARRANTIES OF MERCHANTABILITY, FITNESS FOR A PARTICULAR PURPOSE, OR NON-INFRINGEMENT OF THIRD-PARTY INTELLECTUAL PROPERTY RIGHTS.

These resources are intended for developers who are designing with Renesas products. You are solely responsible for (1) selecting the appropriate products for your application, (2) designing, validating, and testing your application, and (3) ensuring your application meets applicable standards, and any other safety, security, or other requirements. These resources are subject to change without notice. Renesas grants you permission to use these resources only to develop an application that uses Renesas products. Other reproduction or use of these resources is strictly prohibited. No license is granted to any other Renesas intellectual property or to any third-party intellectual property. Renesas disclaims responsibility for, and you will fully indemnify Renesas and its representatives against, any claims, damages, costs, losses, or liabilities arising from your use of these resources. Renesas' products are provided only subject to Renesas' Terms and Conditions of Sale or other applicable terms agreed to in writing. No use of any Renesas resources expands or otherwise alters any applicable warranties or warranty disclaimers for these products.

(Disclaimer Rev.1.01 Jan 2024)

### Corporate Headquarters

TOYOSU FORESIA, 3-2-24 Toyosu,  
Koto-ku, Tokyo 135-0061, Japan  
[www.renesas.com](http://www.renesas.com)

### Trademarks

Renesas and the Renesas logo are trademarks of Renesas Electronics Corporation. All trademarks and registered trademarks are the property of their respective owners.

### Contact Information

For further information on a product, technology, the most up-to-date version of a document, or your nearest sales office, please visit [www.renesas.com/contact-us/](http://www.renesas.com/contact-us/).