

Description

The 8V79S680 is a fully integrated, clock and SYSREF signal fanout buffer for JESD204B applications. It is designed as a high-performance clock and converter synchronization solution for wireless base station radio equipment boards with JESD204B subclass 0, 1, and 2 compliance. The main function of the device is the distribution and fanout of high-frequency clocks and low-frequency system reference signals generated by a JESB204B clock generator such as the IDT 8V19N480, extending its fanout capabilities and providing additional phase-delay.

The 8V79S680 is optimized to deliver very low phase noise clocks and precise, phase-adjustable SYSREF synchronization signals as required in GSM, WCDMA, LTE, LTE-A radio board implementations. Low-skew outputs, low device-to-device skew characteristics and fast output rise/fall times help the system design to achieve deterministic clock and SYSREF phase relationship across devices.

The device distributes the input clock (CLK) and JESD204B SYSREF signals (REF) to four fanout channels. In each channel, both input clock and SYSREF signals are fanned-out to multiple clock (QCLK) and SYSREF (QREF) outputs. Clock signals can be frequency-divided in each channel. Configurable phase-delay circuits are available for both clock and SYSREF signals. The propagation delays in all signal paths are fully deterministic to support fixed phase relationships between clock and SYSREF signals within one device. Clock divider can be bypassed for low-latency clock paths. The device facilitates synchronization between frequency dividers within the device and across multiple devices, removing phase ambiguity introduced in dividers between power and configuration cycles.

Each channel supports clock frequencies up to 3GHz. In an alternative configuration, for instance JESD204B subclass 0 and 2, the SYSREF (QREF) outputs can be configured as regular clock outputs adding additional clock fanout to the device.

All outputs are very flexible in amplitude configuration, output signal termination and allow both DC and AC coupling. Outputs can be disabled and powered-down when not used. The SYSREF output pre-bias feature supports prevention of power-on glitches and enables AC-coupling of the system synchronization signals.

The device is configured through a 3-wire SPI serial interface. The device is packaged in a lead-free (RoHS 6) 64-lead VFQFPN package. The extended temperature range supports wireless infrastructure, telecommunication and networking end equipment requirements. The device is a member of the high-performance clock family from IDT.

Typical Applications

- JESD204B low phase noise clock and SYSREF signal distribution
- Supports JESD204 subclass 0, 1 and 2
- Clock distribution device for jitter-sensitive ADC and DAC circuits
- Wireless infrastructure
- Radar and imaging
- Instrumentation and medical

Features

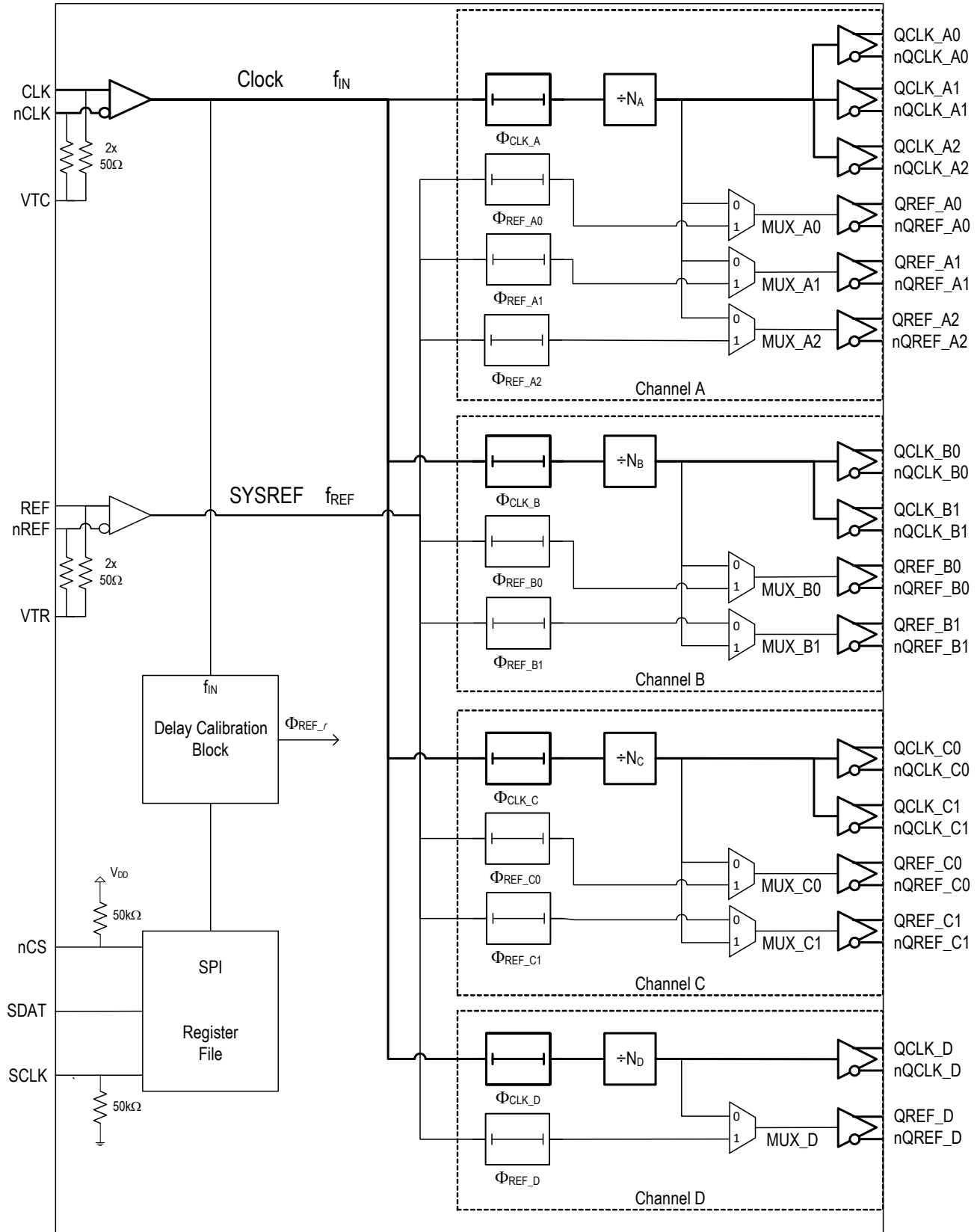
- Supports high-speed, low phase noise converter clocks
- Distribution, fanout, phase-delay of clock and SYSREF signals
- Very low output noise floor: -158.8dBc/Hz noise floor (245.76MHz)
- Supports clock frequencies up to 3GHz, including clock output frequencies of 983.04MHz, 491.52MHz, 245.76MHz, and 122.88MHz
- 4 output channels with a total of 16 differential outputs, organized in:
 - 8 dedicated clock outputs
 - 8 outputs configurable as SYSREF outputs with individual phase delay stages, or configurable as additional clock outputs
- Each channel contains:
 - Frequency dividers: ÷1, ÷2, ÷4, ÷6, ÷8, ÷12, ÷16
 - Clock phase delay circuits
- Clock phase delay circuits
 - Clock: delay unit is the clock period; 256 steps
 - SYSREF: Configurable precision phase delay circuits: 8 steps of 131ps, 262ps, 393ps, or 524ps
- Flexible differential outputs:
 - LVDS/LVPECL configurable
 - Amplitude configurable
 - Power-down modes for unused outputs
 - Supports DC and AC coupling
 - QREF (SYSREF) output pre-bias feature to prevent glitches when turning output on or off
- Supply voltage:
 - 3.3V core and signal I/O
 - 1.8V Digital control SPI I/O (3.3V-tolerant inputs)
- 64 VFQFPN package (9 × 9 × 0.85 mm)
- Ambient temperature range: -40°C to +85°C

Contents

| | |
|---|----|
| Description | 1 |
| Typical Applications | 1 |
| Features | 1 |
| Contents | 2 |
| Block Diagram | 3 |
| Pin Assignments | 4 |
| Pin Descriptions | 5 |
| Principles of Operation | 7 |
| Overview | 7 |
| Signal Flow | 7 |
| Clock Channel Divider | 7 |
| Phase Delay | 8 |
| Delay Calibration Block (DCB) | 8 |
| QCLK to SYSREF Phase Alignment | 10 |
| Differential Outputs | 11 |
| Device Startup, Reset, and Synchronization | 13 |
| Changing Frequency Dividers and Phase Delay Values | 13 |
| SPI Interface | 14 |
| Register Descriptions | 16 |
| Channel and Clock Output Registers | 19 |
| QREF Output State Registers | 21 |
| SYSREF Control Registers | 24 |
| General Control Registers | 26 |
| Electrical Characteristics | 28 |
| Absolute Maximum Ratings | 28 |
| Pin Characteristics | 28 |
| DC Characteristics | 29 |
| AC Characteristics | 32 |
| Additive Clock Phase Noise Characteristics | 35 |
| Application Information | 41 |
| Termination for QCLK _y , QREF _r LVDS Outputs (STYLE = 0) | 41 |
| AC Termination for QCLK _y , QREF _r LVDS Outputs (STYLE = 0) | 41 |
| Termination for QCLK _y , QREF _r LVPECL Outputs (STYLE = 1) | 42 |
| Package Exposed Pad Thermal Release Path | 42 |
| Thermal Characteristics | 43 |
| Case Temperature Considerations | 43 |
| Example Calculation for Junction Temperature (T _J): T _J = T _{CB} + Y _{JB} x PD | 44 |
| Package Outline Drawings | 44 |
| Ordering Information | 44 |
| Marking Diagram | 44 |
| Glossary | 45 |
| Revision History | 45 |

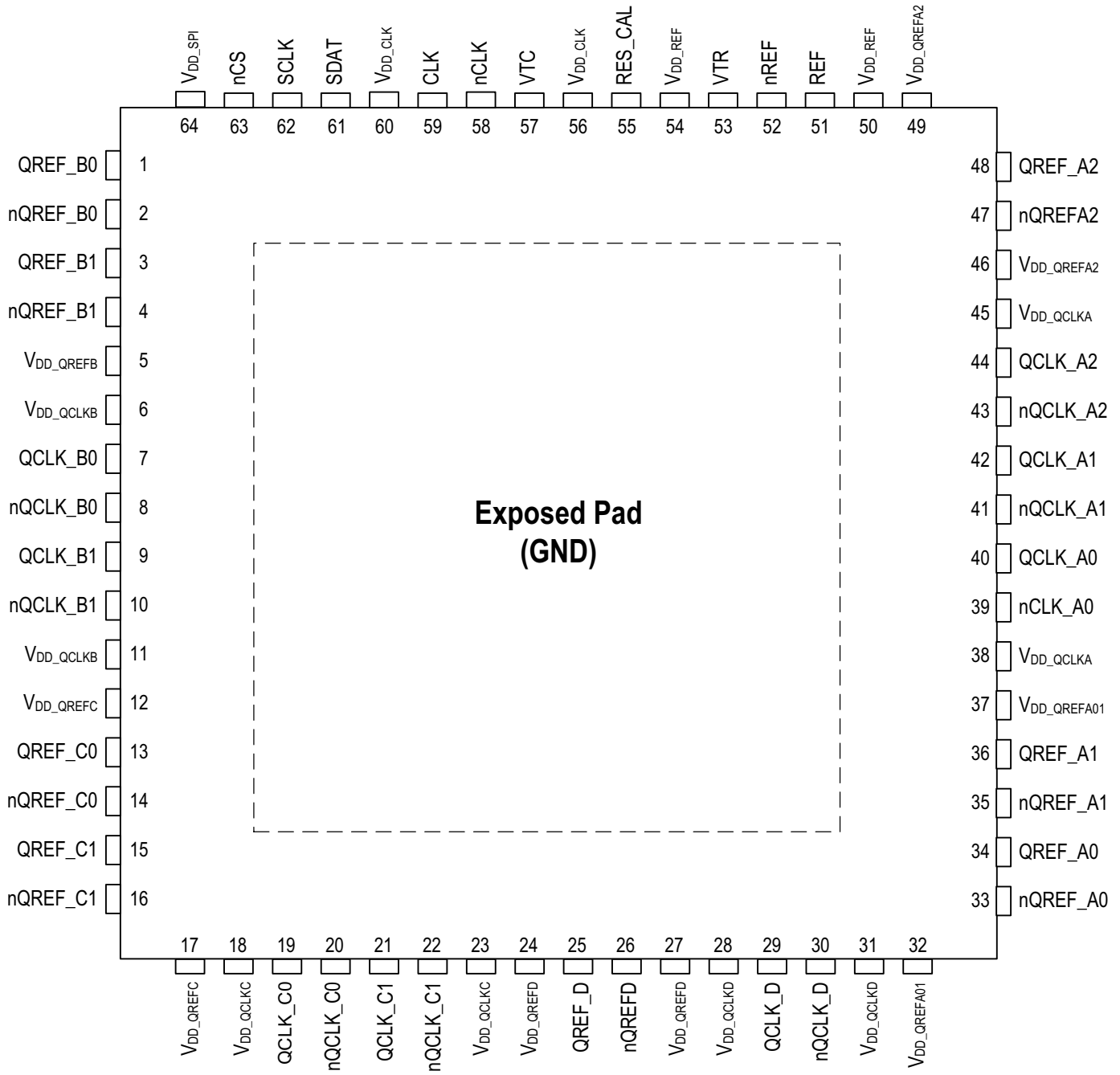
Block Diagram

Figure 1. Block Diagram



Pin Assignments

Figure 2. Pin Assignments 9 x 9 x 0.85 mm 64-VFQFPN Package (Top View)



Pin Descriptions

Table 1. Pin Descriptions

| Number | Name | Type ^[a] | Description |
|-----------|-------------------------|---------------------|--|
| 1, 2 | QREF_B0, nQREF_B0 | Output | Differential SYSREF/clock output QREF_B0. LVDS style for SYSREF operation, configurable LVPECL/LVDS style and amplitude for clock operation. |
| 3, 4 | QREF_B1, nQREF_B1 | Output | Differential SYSREF/clock output QREF_B1. LVDS style for SYSREF operation, configurable LVPECL/LVDS style and amplitude for clock operation. |
| 5 | V _{DD_QREFB} | Power | Positive supply voltage (3.3V) for the QREF_B[1:0] outputs. |
| 6 | V _{DD_QCLKB} | Power | Positive supply voltage (3.3V) for the QCLK_B[1:0] outputs. |
| 7, 8 | QCLK_B0, nQCLK_B0 | Output | Differential clock output QCLK_B0. Configurable LVPECL/LVDS style and amplitude. |
| 9, 10 | QCLK_B1, nQCLK_B1 | Output | Differential clock output QCLK_B1. Configurable LVPECL/LVDS style and amplitude. |
| 11 | V _{DD_QCLKB} | Power | Positive supply voltage (3.3V) for the QCLK_B[1:0] outputs. |
| 12 | V _{DD_QREFC} | Power | Positive supply voltage (3.3V) for the QREF_C[1:0] outputs. |
| 13, 14 | QREF_C0, nQREF_C0 | Output | Differential SYSREF/clock output QREF_C0. LVDS style for SYSREF operation, configurable LVPECL/LVDS style and amplitude for clock operation. |
| 15, 16 | QREF_C1, nQREF_C1 | Output | Differential SYSREF/clock output QREF_C1. LVDS style for SYSREF operation, configurable LVPECL/LVDS style and amplitude for clock operation. |
| 17 | V _{DD_QREFC} | Power | Positive supply voltage (3.3V) for the QREF_C[1:0] outputs. |
| 18 | V _{DD_QCLKC} | Power | Positive supply voltage (3.3V) for the QCLK_C[1:0] outputs. |
| 19, 20 | QCLK_C0, nQCLK_C0 | Output | Differential clock output QCLK_C0. Configurable LVPECL/LVDS style and amplitude. |
| 21, 22 | QCLK_C1, nQCLK_C1 | Output | Differential clock output QCLK_C1. Configurable LVPECL/LVDS style and amplitude. |
| 23 | V _{DD_QCLKC} | Power | Positive supply voltage (3.3V) for the QCLK_C[1:0] outputs. |
| 24 | V _{DD_QREFD} | Power | Positive supply voltage (3.3V) for the QREF_D outputs. |
| 25, 26 | QREF_D, nQREF_D | Output | Differential SYSREF/clock output QREF_D. LVDS style for SYSREF operation, configurable LVPECL/LVDS style and amplitude for clock operation. |
| 27 | V _{DD_QREFD} | Power | Positive supply voltage (3.3V) for the QREF_D outputs. |
| 28 | V _{DD_QCLKD} | Power | Positive supply voltage (3.3V) for the QCLK_D outputs. |
| 29, 30 | QCLK_D, nQCLK_D | Output | Differential clock output QCLK_D. Configurable LVPECL/LVDS style and amplitude. |
| 31 | V _{DD_QCLKD} | Power | Positive supply voltage (3.3V) for the QCLK_D outputs. |
| 32 | V _{DD_QREFA01} | Power | Positive supply voltage (3.3V) for the QREF_A[1:0] outputs. |
| 33, 34 | nQREF_A0, QREF_A0 | Output | Differential SYSREF/clock output QREF_A0. LVDS style for SYSREF operation, configurable LVPECL/LVDS style and amplitude for clock operation. |
| 35, 36 | nQREF_A1, QREF_A1 | Output | Differential SYSREF/clock output QREF_A1. LVDS style for SYSREF operation, configurable LVPECL/LVDS style and amplitude for clock operation. |
| 37 | V _{DD_QREFA01} | Power | Positive supply voltage (3.3V) for the QREF_A[1:0] outputs. |
| 38 | V _{DD_QCLKA} | Power | Positive supply voltage (3.3V) for the QCLK_A[2:0] outputs. |

Table 1. Pin Descriptions (Cont.)

| Number | Name | Type ^[a] | | Description |
|---------------------|------------------------|---------------------|----|--|
| 39, 40 | nQCLK_A0, QCLK_A0 | Output | | Differential clock output QCLK_A0. Configurable LVPECL/LVDS style and amplitude. |
| 41, 42 | nQCLK_A1, QCLK_A1 | Output | | Differential clock output QCLK_A1. Configurable LVPECL/LVDS style and amplitude. |
| 43, 44 | nQCLK_A2, QCLK_A2 | Output | | Differential clock output QCLK_A2. Configurable LVPECL/LVDS style and amplitude. |
| 45 | V _{DD_QCLKA} | Power | | Positive supply voltage (3.3V) for the QCLK_A[2:0] outputs. |
| 46 | V _{DD_QREFA2} | Power | | Positive supply voltage (3.3V) for the QREF_A2 output. |
| 47, 48 | nQREF_A2, QREF_A2 | Output | | Differential SYSREF/clock output QREF_A2. LVDS style for SYSREF operation, configurable LVPECL/LVDS style and amplitude for clock operation. |
| 49 | V _{DD_QREFA2} | Power | | Positive supply voltage (3.3V) for the QREF_A2 output. |
| 50 | V _{DD_REF} | Power | | Positive supply voltage (3.3V) for the differential SYSREF input REF, nREF |
| 51, 52 | REF, nREF | Input | | SYSREF inverting and non-inverting differential input. Compatible with LVPECL and LVDS signals. REF and nREF are internally 50Ω terminated to the VTR pin |
| 53 | VTR | – | | Internal termination for the differential clock input REF, nREF. Both REF and nREF inputs are internally terminated 50Ω to this pin. See input termination information in Application Information . |
| 54 | V _{DD_REF} | Power | | Positive supply voltage (3.3V) for the differential SYSREF input REF, nREF |
| 55 | RES_CAL | Analog | | Connect a 2.8 kΩ (1%) resistor to GND for output current calibration. |
| 56 | V _{DD_CLK} | Power | | Positive supply voltage (3.3V) for the differential device clock input CLK, nCLK. |
| 57 | VTC | – | | Internal termination for the differential clock input CLK, nCLK. Both CLK and nCLK inputs are internally 50Ω terminated to the VTC pin. See input termination information in Application Information . |
| 58, 59 | nCLK, CLK | Input | | Device clock inverting and non-inverting differential clock input. Compatible with LVPECL and LVDS signals. CLK and nCLK are internally terminated to VTC through 50Ω. |
| 60 | V _{DD_CLK} | Power | | Positive supply voltage (3.3V) for the differential device clock input CLK, nCLK. |
| 61 | SDAT | Input/ Output | | Serial Control Port SPI Mode Data Input and Output. 1.8V LVCMOS/LVTTL interface levels. 3.3V tolerant when input. |
| 62 | SCLK | Input | PD | Serial Control Port SPI Mode Clock Input. 1.8V LVCMOS/LVTTL interface levels. 3.3V-tolerant when input. |
| 63 | nCS | Input | PU | Serial Control Port SPI Chip Select Input. 1.8V LVCMOS/LVTTL interface levels and 3.3V tolerant. |
| 64 | V _{DD_SPI} | Power | | Positive supply voltage (3.3V) for the SPI interface. |
| Exposed Pad (EP) | GND | Power | | Ground supply voltage (GND) and ground return path. Connect to board GND (0V). |

[a] Internal pull-up (PU) and pull-down (PD) resistors are indicated in parentheses. See [Table 22](#) for values.

Principles of Operation

Overview

The 8V79S680 is a JESD204B Fanout Buffer with Configurable Phase Delay. The device supports the division, phase-delay and distribution of high-frequency clocks (input: CLK, nCLK) and the fanout and phase-delay of low-frequency synchronization (SYSREF) signals (input: REF/nREF). Clock and SYSREF signal paths are independent and are organized in channels, with each channel consisting of several clock and SYSREF outputs. Outputs are configurable with support for LVPECL, LVDS and four amplitude settings. Individual channels and unused circuit blocks support a powered-down state for reduced power consumption operation. The register map, accessible through a SPI interface with read-back capability controls the main device settings.

Signal Flow

The device offers four channels with the names A, B, C and D. Each channel supports individual frequency-division, phase-delay and fan-out functions of the input clock to a total of eight QCLK_y clock outputs; each channel also distributes the SYSREF input signal to multiple QREF_r outputs with individual per-output phase delay capability.

The central clock distribution ensures low skew clock outputs within each channel; outputs are synchronous across channels (independent on the divider setting) on the incident rising clock edge for all outputs with equal phase delay settings.

SYSREF output are synchronous with each other for equal phase-delay settings. QCLK_y and QREF_r outputs will be phase-locked to each other if the CLK and REF inputs are phase-locked. The phase-delay capability in each signal path can be used to establish repeatable and deterministic clock to SYSREF phase relationships at the outputs.

The CLK and QREF signal paths are optimized for channel isolation. allowing high-speed clocks of 983.04MHz, 1474.56MHz or 1966.08MHz (up to 3GHz) and lower-speed SYSREF signals at e.g. 7.68MHz or 9.6MHz with a minimum of signal crosstalk and spurious signals.

Clock Channel Divider

Each of the four independent frequency dividers N_A - N_D can be individually set to the divider values $\div 1$, $\div 2$, $\div 4$, $\div 6$, $\div 8$, $\div 12$, $\div 16$. The dividers are synchronous and have an equal propagation delay on the incident edge. See [Table 2](#) for the supported frequency divider settings.

Table 2. N_{A-D} Frequency Divider Settings

| N_{A-D} | Clock Divider |
|-----------|---|
| 000 | $\div 1$ Divider bypass and powered down |
| 001 | $\div 2$ |
| 010 | $\div 4$ |
| 011 | $\div 6$ |
| 100 | $\div 8$ |
| 101 | $\div 12$ |
| 110 | $\div 16$ |
| 111 | Not defined |

Phase Delay

Output phase delay is independently supported on each clock channel and each SYSREF output. The delay unit of the clock channel phase-delay circuits Φ_{CLK_x} is a function of the frequency f_{IN} applied to CLK input: $1 \div f_{IN}$.

The delay unit of the SYSREF phase-delay circuits Φ_{REF_r} is a function of an internal oscillator frequency f_{DCO} and the DLC multiplier setting. The oscillator is fully self-contained and located in delay calibration block (DCB). At startup, this oscillator is calibrated with the input frequency f_{IN} as reference. After the calibration, the oscillator is turned-off to save power and to eliminate noise. See [Table 3](#) for details on the delay unit, number of available steps and the delay range.

Table 3. Delay Circuit Characteristics

| Delay Circuit | Unit | Steps | Range |
|-------------------------------|--|-------|--|
| Clock channel Φ_{CLK_x} | $1 \div f_{IN}$ 1.017ns at $f_{IN} = 983.04\text{MHz}$ | 256 | $256 \div f_{IN}$ ^[a] 0 to 259.3ns at $f_{IN} = 983.04\text{MHz}$ |
| SYSREF Φ_{REF_r} | T_{DCB} ^[b] DLC = 0: 131ps DLC = 1: 262ps DLC = 2: 393ps DLC = 3: 524ps | 8 | $0 \dots 7 * T_{DCB}$ ^[c] DLC = 0: 0 to 0.917ns DLC = 1: 0 to 1.834ns DLC = 2: 0 to 2.751ns DLC = 3: 0 to 3.668ns |

[a] At $f_{IN} = 983.04\text{MHz}$, the clock channel delay range is equal to 260.416ns and encompasses 32 periods of a 122.88MHz clock signal.

[b] $T_{DCB} \sim \text{DLC} \div (8 \cdot f_{DCO})$. $f_{DCO} = 983.04\text{MHz}$. DLC = 1, 2, 3 or 4.

[c] SYSREF phase delay supports ≥ 8 delay stops within one input reference period for $f_{IN} = 254.76\text{MHz}$ to $f_{IN} = 983.04\text{MHz}$.

Delay Calibration Block (DCB)

The DCB sets the *SYSREF* delay unit by providing a reference signal to the QREF_r delay circuits. [Figure 3](#) shows the functional diagram. The DCB requires configuration and calibration. Verification of the calibration is optional.

Description. The DCB consists of an internal DCO running at $f_{DCO} = 983.04 \pm 20\text{MHz}$, three frequency dividers P_{DCB} , M_{DCB} and N_{DCB} and a digital hold circuit. The DCB input frequency is the device input frequency f_{IN} at the differential CLK, nCLK input. The input frequency acts as a reference to lock the oscillator to a stable and known frequency.

The output of the DCB is the effective delay unit T_{DCB} which is approx. one eighth of the oscillator period multiplied by the DLC multiplier. The DLC multiplier extends the delay unit by a factor of 1, 2, 3 or 4. For instance, at a DCO frequency of 983.04MHz, DLC = 1 sets the SYSREF delay unit to 131ps; DLC = 2 sets the delay unit to 262ps, etc.

Configuration. Select a desired delay unit and corresponding DLC multiplier from [Table 4](#). DLC[1:0] also sets the N_{DCB} divider. Then, find a P_{DCB} and M_{DCB} divider configuration to locate the oscillator frequency into the range of $f_{DCO} = 983.04\text{MHz}$ according to the formula in [Figure 3](#). The DCO lock condition is $f_1 = f_2$ while both f_1 and f_2 must be lower than 200MHz. For instance, if $f_{IN} = 245.76\text{MHz}$ and the smallest possible SYSREF delay unit is desired, set DLC = 1 (DLC[1:0] = 00; also sets $N_{DCB} = \div 1$). Then, set $P_{DCB} = \div 24$ and $M_{DCB} = \div 96$. As a result, $f_1 = f_2 = 10.24\text{MHz}$, $f_{DCO} = 983.04\text{MHz}$. This example configuration results in a delay unit of measured: 131ps. [Figure 5](#) shows more configuration examples.

Calibration. Calibration requires a valid DCB configuration with the DCO locking to an input frequency. Setting DCB_CAL = 1 starts an automatic calibration. At the end, the DCB_CAL bit will clear, the delay unit value is stored digitally and the DCO, P_{DCB} , M_{DCB} and N_{DCB} frequency dividers turn off. The QREF_r delay circuits now use the stored constant delay unit. The delay unit remains digitally stored until the next power cycle. The DCB calibration must run once as part of the device startup procedure and must be re-run after each input frequency or DCB configuration change.

Verification. Verify a successful calibration by reading the DAC_CODE value. $0 < \text{DAC_CODE} < 32767$ indicates a successful calibration. If $\text{DAC_CODE} = 0$ or $\text{DAC_CODE} = 32767$, the DCB calibration should be re-run with an alternative P_{DCB} , M_{DCB} setting while maintaining the desired $M_{\text{DCB}} \cdot N_{\text{DCB}}/P_{\text{DCB}}$ ratio for locking the DCO to the input frequency.

Figure 3. DCB Functional Diagram

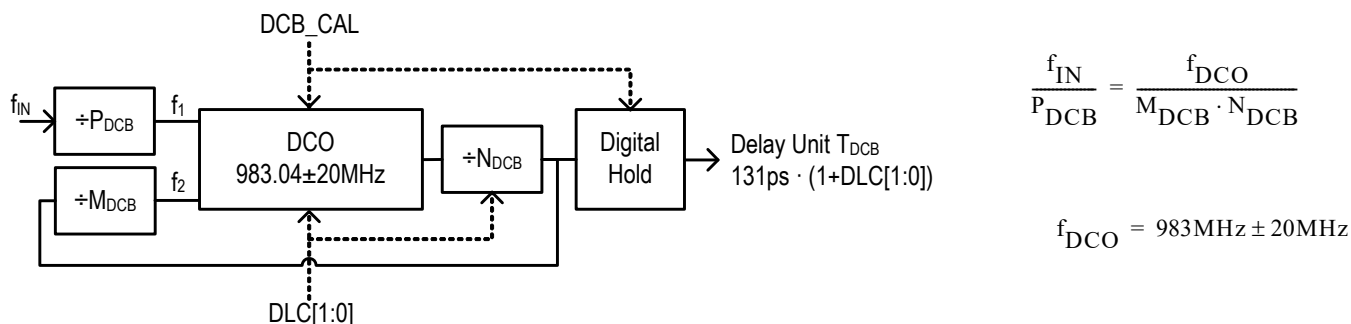


Table 4. DCB Delay Unit at $f_{\text{DCO}} = 983.04\text{MHz}$

| T_{DCB} Delay Unit (ps) | DLC | | N_{DCB} |
|-------------------------------------|------------------|---------------|------------------|
| | DLC[1:0] Setting | Numeric Value | |
| 131 | 00 | 1 | 1 |
| 262 | 01 | 2 | 2 |
| 393 | 10 | 3 | 3 |
| 524 | 11 | 4 | 4 |

Table 5. DCB Divider Configuration Examples^[a]

| f_{IN} (MHz) | T_{DCB} Delay Unit in ps | DLC | P_{DCB} | M_{DCB} |
|-----------------------|--------------------------------------|-----|------------------|------------------|
| 245.76 | 131 | 1 | 24 | 96 |
| | 262 | 2 | 24 | 48 |
| | 393 | 3 | 24 | 32 |
| | 524 | 4 | 24 | 24 |
| 491.52 | 131 | 1 | 48 | 96 |
| | 262 | 2 | 48 | 48 |
| | 393 | 3 | 48 | 32 |
| | 524 | 4 | 48 | 24 |
| 983.04 | 131 | 1 | 96 | 96 |
| | 262 | 2 | 96 | 48 |
| | 393 | 3 | 96 | 32 |
| | 524 | 4 | 96 | 24 |

[a] $f_{\text{DCO}} = 983.04\text{MHz}$.

QCLK to SYSREF Phase Alignment

To achieve an output phase alignment between the QCLK_y clock and the QREF_r SYSREF outputs, the CLK and REF input signals must be phase aligned or have a known, deterministic phase relationship. Figure 4 shows an example output phase alignment for aligned clock and SYREF inputs. The closest (smallest phase error) output alignment is achieved by setting the clock phase delay register Φ_{QCLK_Y} to 0x00 (clock) and the SYSREF phase delay register Φ_{QREF_r} to 0x04. With a SYSREF phase delay setting of 0x03 or less, the QREF_r output phase is in advance of the QCLK_y phase, which is applicable in JESD204B application. Phase delay settings and propagation delays are independent on the clock and SYSREF frequencies. Table 6 shows recommended phase delay setting several device configurations.

Figure 4. QCLK to QREF Phase Alignment

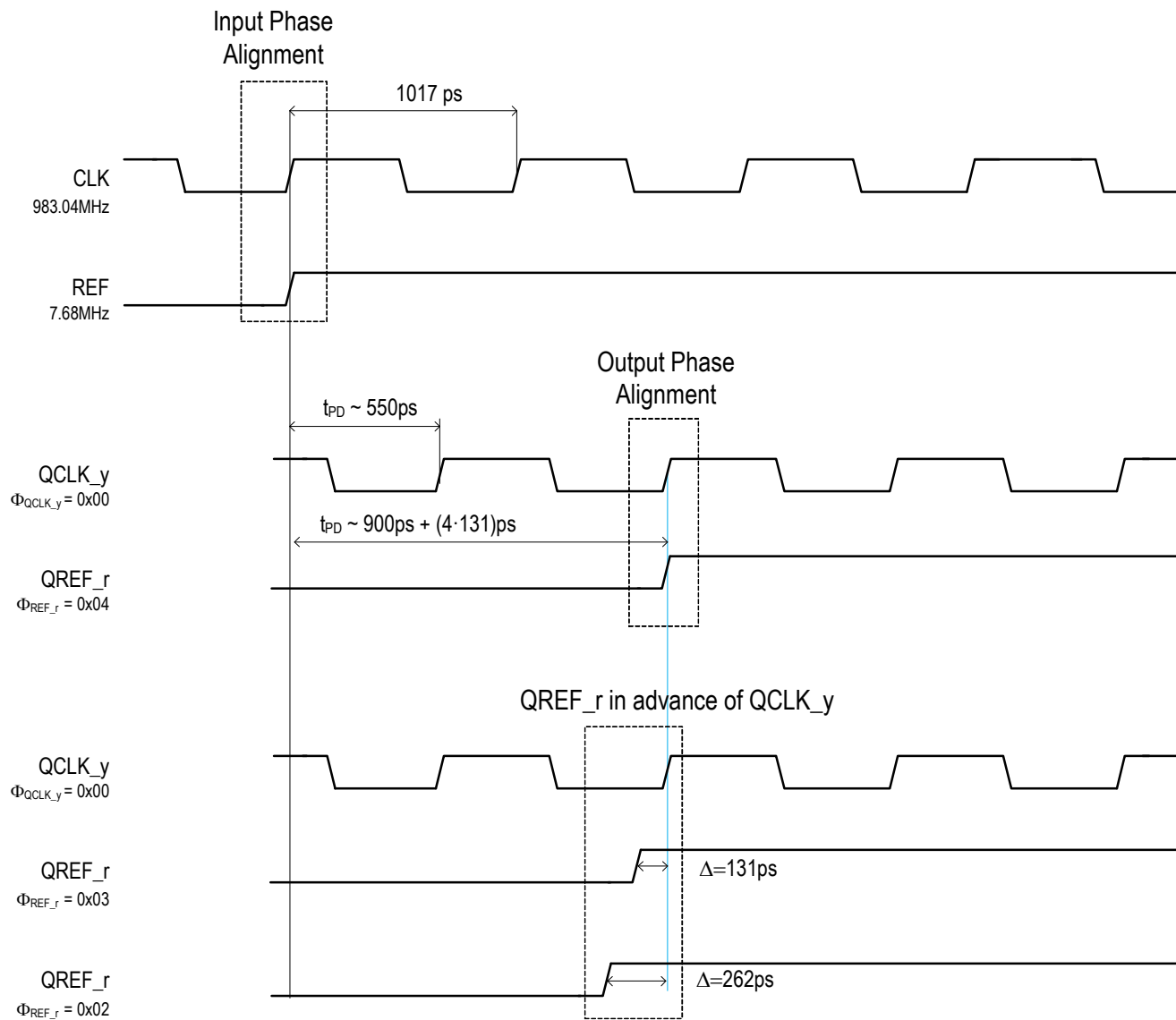


Table 6. Recommended Delay Settings for Closest Clock-SYSREF Output Phase Alignment^[a]

| Divider Configuration | Φ_{CLK_y} | Φ_{REF_r} |
|-----------------------|-----------------|-----------------|
| N = ÷1 | 0x00 | 0x04 |

[a] QCLK and QREF outputs are aligned on the incident edge.

Differential Outputs

Table 7. Output Features

| Output | Style | Ampl. ^[a] | Disable | Power Down | DC Bias | Termination |
|---|--------|-----------------------|---------|------------|--------------------|--------------------------------------|
| QCLK_y ^[b] , QREF_r ^[c] (Clock) | LVPECL | 250-1000mV 4 steps | Yes | Yes | - | 50Ω to V _T ^[d] |
| | LVDS | | | | | 100Ω differential ^{[e][f]} |
| QREF_r (SYSREF) | LVPECL | 250-1000mV 4 steps | Yes | Yes | - | 50Ω to V _T ^[d] |
| | LVDS | | | | Yes ^[g] | 100Ω differential ^{[e][f]} |

[a] Amplitudes are measured single-ended. Differential amplitudes supported are 500mV, 1000mV, 1500mV and 2000mV.

[b] y = A0, A1, A2, B0, B1, C0, C1 and D.

[c] r = A0, A1, A2, B0, B1, C0, C1 and D.

[d] V_T = V_{DD_V} - 1.5V (250mV amplitude setting), V_{DD_V} - 1.75V (500mV amplitude setting), V_{DD_V} - 2.0V (750mV amplitude setting), V_{DD_V} - 2.25V (1000mV amplitude setting).

[e] AC coupling and DC coupling supported.

[f] See [Application Information](#) for output termination information.

[g] In JESD204B applications, it is recommended to use QREF_r (SYSREF) outputs configured to LVDS and 500mV amplitude. AC-coupling and DC-coupling is supported.

Table 8. Individual Clock Output (QCLK_y) Settings^[a]

| PD | STYLE | EN | A[1:0] | Output Power | Termination ^[b] | State | Amplitude (mV) |
|----|-------|----|--------|--------------|--|------------------------|----------------|
| 1 | X | X | X | Off | 100Ω differential (LVDS) or no termination | Off | X |
| 0 | 0 | 0 | XX | On | 100Ω differential (LVDS) | Disable ^[c] | X |
| | | 1 | 00 | | | Enable | 250 |
| | | | 01 | | | | 500 |
| | | | 10 | | | | 750 |
| | | | 11 | | | | 1000 |
| | 1 | 0 | XX | | 50Ω to V _T (LVPECL) | Disable | X |
| | | 1 | 00 | | | Enable | 250 |
| | | | 01 | | | | 500 |
| | | | 10 | | | | 750 |
| | | | 11 | | | | 1000 |

[a] Applicable to clock outputs: QCLK_y and QREF_r outputs in clock mode (MUX_r = 0).

[b] See [Application Information](#) for output termination information.

[c] Differential output is disabled in static low state: QCLK_y = L, nQCLK_y = H.

Table 9. Individual SYSREF Output (QREF_r) Settings^[a]

| PD | STYLE | Enable | A[1:0] | nBIAS | Output Power | Termination ^[b] | State | Amplitude (mV) | |
|----|-------|--------|--------|-------|--------------|-------------------------------------|--------------------------------|----------------|-----|
| 1 | X | X | X | X | Off | 100Ω differential or no termination | Off | X | |
| 0 | 0 | 0 | XX | 0 | On | 100Ω differential (LVDS) | Disable ^[c] | X | |
| | | 1 | 00 | 0 | | | Enabled | 250 | |
| | | | 01 | 0 | | | See Table 10 | 500 | |
| | | | | 1 | | | | | |
| | | | 10 | 0 | | | Enabled | 750 | |
| | | | 11 | 0 | | | | 1000 | |
| | 1 | 0 | 0 | XX | | 0 | 50Ω to V _T (LVPECL) | Disable | X |
| | | | 1 | 00 | | | | Enable | 250 |
| | | 01 | | 500 | | | | | |
| | | 10 | | 750 | | | | | |
| | | 11 | | 1000 | | | | | |

[a] Applicable QREF_r outputs when configured as SYSREF output (MUX_r = 1).

[b] See Section “Application Information” on page 41 for output termination information.

[c] Differential output is disabled in static low state: QCLK_y = L, nQCLK_y = H.

Table 10. QREF_r Setting for JESD204B Applications

| BIAS_TYPE | nBIAS_r | QREF_r Outputs (LVDS, 500mV amplitude) | | | Application |
|-----------|---------|---|--|---|-------------------|
| | | Initial | Active Rising Edge on the REF Input | SYSREF Completed | |
| 0 | 1 | Static Low (QREF = L, nQREF_r = H) | | | QREF_r DC coupled |
| | 0 | Static Low (QREF = L, nQREF_r = H) | Start switching for the number of received SYSREF pulses | Released to static low (QREF = L, nQREF_r = H) | |
| 1 | 0 | Static LVDS crosspoint level (QREF = nQREF_r = VOS) | Start switching for the number of received SYSREF pulses | Released to static LVDS crosspoint level (QREF = n, QREF_r = VOS) | QREF_r AC coupled |
| | 1 | Static LVDS crosspoint level (QREF = n, QREF_r = VOS) | | | |

Device Startup, Reset, and Synchronization

At startup, an internal POR (power-on reset) resets the device and sets all register bits to its default value. In the default configuration the QCLK_y and QREF_r outputs are disabled at startup.

Recommended configuration sequence (in order):

1. (Optional) set the value of the CPOL register bit to define the SPI read mode, so that SPI settings can be validated by subsequent SPI read accesses.
2. Configure the channel circuits and the outputs to the desired values and configure the DCB:
 - Output source MUX_r, output divider N_{A-D}, clock delay Φ_{A-D} , MUX-output style, amplitude and power down mode for QCLK_y and QREF_r outputs
 - For synchronization between multiple devices: Set N_{A-D} = ÷1 and set BYP_INIT = 1)
 - (Optional) the global BIAS_TYPE bit and nBIAS_r for each QREF_r in preparation for JESD204B/SYSREF operation
 - Phase delay for Φ_{REF_r} values for the QREF_r outputs
 - Setup the DCB settings DLC, P_{DCB} and M_{DCB} as described in the paragraph *Configuration*, see [Delay Calibration Block \(DCB\)](#)
3. If not already applied: apply a valid input frequency to CLK. Set the PB_CAL bit and the DCB_CAL bit to start the calibration of the precision bias current circuit and the DCB calibration. Both bits will auto-clear. See paragraph *Configuration* in section [Delay Calibration Block \(DCB\)](#).
 - (Optional): verify the success of the DCB calibration by reading the DAC_CODE value. See paragraph *Verification* in section [Delay Calibration Block \(DCB\)](#)
4. Set the initialization bit INIT_CLK. This will initiate the N_x divider and Φ_{CLK_x} delay circuits and synchronize them to each other. The INIT_CLK bit will self-clear.
5. At this point, the configuration of the registers 0x00 to 0x73 should be completed and the SPI transfer ended. Set nCS to high level.
6. In a separate SPI write access, enable the outputs as desired by accessing the output-enable registers 0x74 and 0x76.

Registers in the address range 0x78 to 0xFF should not be used. Do not write into any registers in the 0x78 to 0xFF range.

Changing Frequency Dividers and Phase Delay Values

Clock Frequency Divider and Delay

Following procedure has to be applied for a change of a clock divider and phase delay value N_{A-D}, and Φ_{CLKA-D} :

1. (Optional) set the value of the CPOL register to define the SPI read mode, so that SPI settings can be validated by subsequent SPI read accesses.
2. (Optional) disable the outputs whose frequency divider or delay value is changed.
3. Configure the N_{A-D} dividers and the delay circuits Φ_{CLKA-D} to the desired new values.
 - For synchronization between multiple devices: Set N_{A-D} = ÷1 and set BYP_INIT = 1)
4. Set the initialization bit INIT_CLK. This will initiate all divider and delay circuits and synchronize them to each other. The INIT_CLK bit will self-clear. During this initialization step, all QCLK_y and QREF_r outputs are reset to the logic low state.
5. (Optional) Enable the outputs whose frequency divider was changed.

SYSREF Delay

Following procedure has to be applied for a change of any SYSREF phase delay value Φ_{REF_r} :

1. (Optional) set the value of the CPOL register to define the SPI read mode, so that SPI settings can be validated by subsequent SPI read accesses.
2. Configure any delay circuits Φ_{REF_r} to their desired new values. During configuration of Φ_{REF_r} outputs are not stopped or interrupted.

SPI Interface

The 8V79S680 has a 3-wire serial control port capable of responding as a slave in an SPI configuration to allow read and write access to any of the internal registers for device programming or read back. The SPI interface consists of the SCLK (clock), SDAT (serial data input and output), and nCS (chip select) pins. A data transfer consists of any integer multiple of 8 bits and is always initiated by the SPI master on the bus. Internal register data is organized in SPI bytes of 8 bits each. If nCS is at logic high, the SDAT data I/O is in high-impedance state and the SPI interface of the 8V79S680 is disabled. In a write operation, data on SDAT will be clocked in on the rising edge of SCLK. In a read operation, data on SDAT will be clocked out on the falling or rising edge of SCLK depending on the CPOL setting (CPOL = 0: output data changes on the falling edge, CPOL = 1: output data changes on the rising edge).

Starting a data transfer requires nCS to set and hold at logic low level during the entire transfer. Setting nCS = 0 will enable the SPI interface with SDAT in data input mode. The master must initiate the first 8-bit transfer. The first bit presented to the slave is the direction bit R/nW (1 = Read, 0 = Write) and the following seven bits are the address bits A[0:6] pointing to an internal register in the address space 0 to 127. Data is presented with the LSB (least significant bit) first.

Read operation from an internal register: a read operation starts with an 8 bit transfer from the master to the slave: SDAT is clocked on the rising edge of SCLK. The first bit is the direction bit R/nW which must be to 1 to indicate a read transfer, followed by 7 address bits A[0:6]. After the first 8 bits are clocked into SDAT, the SDAT I/O changes to output: the register content addressed by A[0:6] is loaded into the shift register and the next 8 SCLK falling clock cycles (if CPOL = 0) will then present the loaded register data on the SDAT output and transfer these to the master. Transfers must be completed by de-asserting nCS after any multiple 8 SCLK cycles. If nCS is de-asserted at any other number of SCLKs, the SPI behavior is undefined. SPI byte (8 bit) and back-to-back read transfers of multiple registers are supported with an address auto-increment. During multiple transfers, nCS must stay at logic low level and SDAT will present multiple registers (A), (A+1), (A+2), etc. with each 8 SCLK cycles. During SPI Read operations, the user may continue to hold nCS low and provide further bytes in a single block read.

Write operation to a 8V79S680 register: During a write transfer, a SPI master transfers one or more bytes of data into the internal registers of the 8V79S680. A write transfer starts by asserting nCS to low logic level. The first bit presented by the master must set the direction bit R/nW to 0 (Write) and the 7 address bits A[0:6] must contain the 7-bit register address. Bits D0 to D7 contain 8 bit of payload data, which is written into the register addressed by A[0:6] at the end of a 8-bit write transfer. Multiple, subsequent register transfers from the master to the slave are supported by holding nCS asserted at logic low level during write transfers. The 7 bit register address will auto-increment. Transfers must be completed by de-asserting nCS after any multiple 8 SCLK cycles. If nCS is de-asserted at any other number of SCLKs, the SPI behavior is undefined.

End of transfer: After de-asserting nCS, the SPI bus is available to transfers to other slaves on the SPI bus. See also the READ diagram (Figure 5) and WRITE diagram (Figure 6) displaying the transfer of two bytes of data from and into registers.

Registers 0x78 to 0xFF: Registers in the address range 0x78 to 0xFF should not be used. Do not write into any registers in the 0x78 to 0xFF range.

Figure 5. Logic Diagram: READ Data from 8V79S680 Registers for CPOL = 0 and CPOL = 1

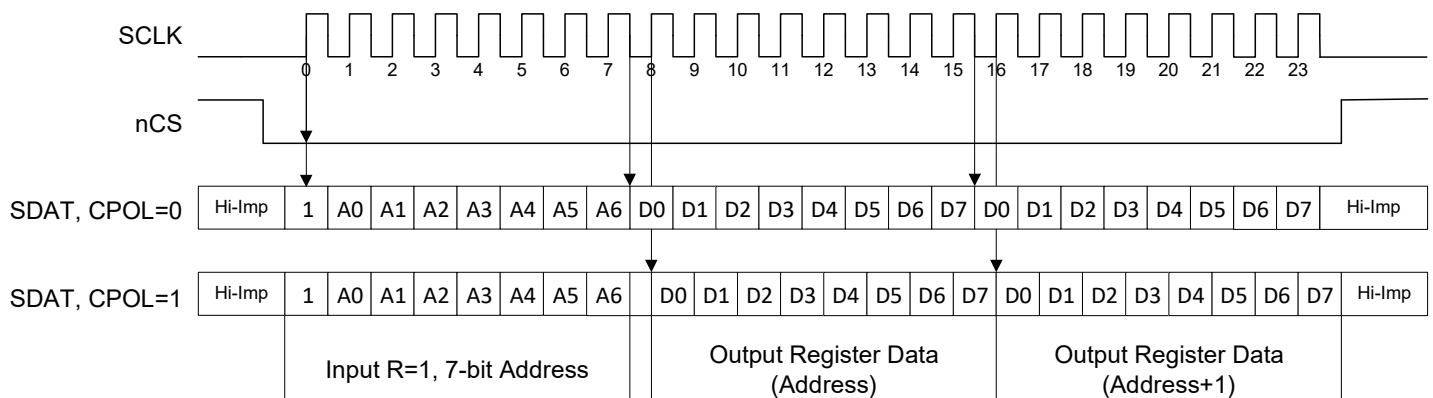


Figure 6. Logic Diagram WRITE Data into 8V79S680 Registers

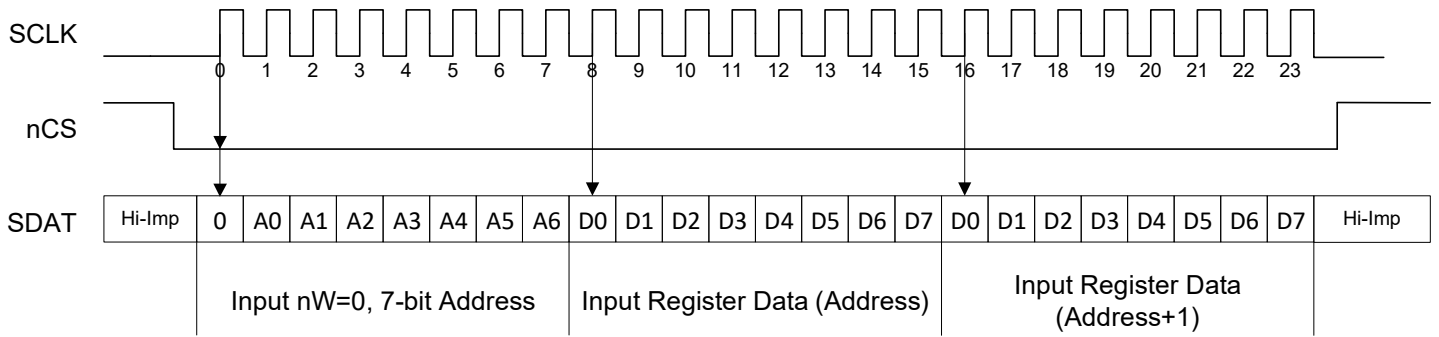
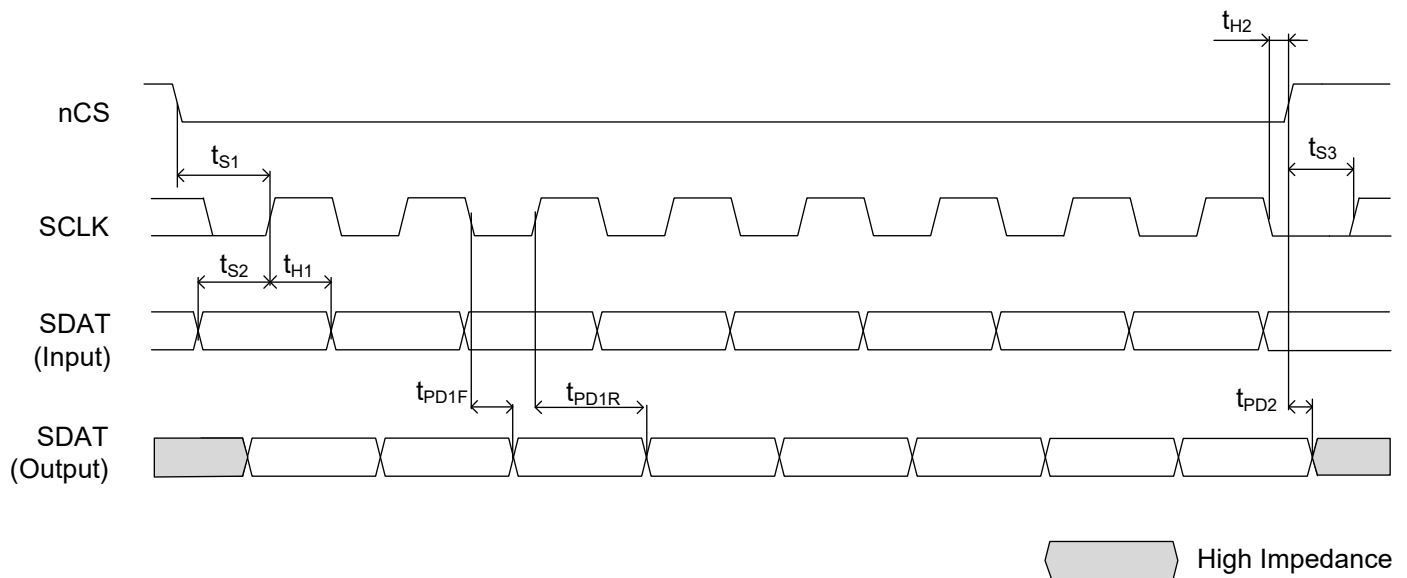


Table 11. SPI Read / Write Cycle Timing Parameters

| Symbol | Parameter | Test Condition | Minimum | Maximum | Unit |
|------------|--|----------------|---------|---------|------|
| f_{SCLK} | SCLK frequency | | | 20 | MHz |
| t_{S1} | Setup time, nCS (falling) to SCLK (rising) | | 5 | | ns |
| t_{S2} | Setup time, SDAT (input) to SCLK (rising) | | 5 | | ns |
| t_{S3} | Setup time, nCS (rising) to SCLK (rising) | | 5 | | ns |
| t_{H1} | Hold time, SCLK (rising) to SDAT (input) | | 5 | | ns |
| t_{H2} | Hold time, SCLK (falling) to nCS (rising) | | 5 | | ns |
| t_{PD1F} | Propagation delay, SCLK (falling) to SDAT | CPOL = 0 | | 12 | ns |
| t_{PD1R} | Propagation delay, SCLK (rising) to SDAT | CPOL = 1 | | 12 | ns |
| t_{PD2} | Propagation delay, nCS to SDAT disable | | | 12 | ns |

Figure 7. SPI Timing Diagram



Register Descriptions

This section contains a list of all addressable registers and a register description, sorted by function, followed for a detailed description of each bit field for each register. Several functional blocks with multiple instances in this device have individual registers controlling their settings, but since the registers have an identical format and bit meaning, they are described only once, but with an additional table to indicate their addresses and default values. All writable register fields will come up with a default values as indicated in the Factory Defaults column unless altered by values loaded from non-volatile storage during the initialization sequence.

Fixed read-only bits will have defaults as indicated in their specific register descriptions. Read-only status bits will reflect valid status of the conditions they are designed to monitor once the internal power-up reset has been released. Unused registers and bit positions are Reserved. Reserved bit fields will be unaffected by writes and are undefined on reads.

Table 12. Configuration Registers

| Register Address | Register Description |
|------------------|------------------------------|
| 0x00 - 0x17 | Reserved |
| 0x18 - 0x1B | SYSREF Control |
| 0x1C - 0x1F | Reserved |
| 0x20 | Channel A, Output Divider |
| 0x21 | Channel A Delay Φ CLK_A |
| 0x22 | Channel A PD |
| 0x23 | Reserved |
| 0x24 | Output State QCLK_A0 |
| 0x25 | Output State QCLK_A1 |
| 0x26 | Output State QCLK_A2 |
| 0x27 | Reserved |
| 0x28 | Φ REF_A0 Delay, MUX, PD |
| 0x29 | Φ REF_A1 Delay, MUX, PD |
| 0x2A | Φ REF_A2 Delay, MUX, PD |
| 0x2B | Reserved |
| 0x2C | Output State QREF_A0 |
| 0x2D | Output State QREF_A1 |
| 0x2E | Output State QREF_A2 |
| 0x2F | Reserved |
| 0x30 | Channel B, Output Divider |
| 0x31 | Channel B Delay Φ CLK_B |
| 0x32 | Channel B PD |
| 0x33 | Reserved |
| 0x34 | Output State QCLK_B0 |
| 0x35 | Output State QCLK_B1 |
| 0x36 - 0x37 | Reserved |
| 0x38 | Φ REF_B0 Delay, MUX, PD |
| 0x39 | Φ REF_B1 Delay, MUX, PD |

Table 12. Configuration Registers (Cont.)

| Register Address | Register Description |
|------------------|------------------------------|
| 0x3A-0x3B | Reserved |
| 0x3C | Output State QREF_B0 |
| 0x3D | Output State QREF_B1 |
| 0x3E-0x3F | Reserved |
| 0x40 | Channel C, Output Divider |
| 0x41 | Channel C Delay Φ CLK_C |
| 0x42 | Channel C PD |
| 0x43 | Reserved |
| 0x44 | Output State QCLK_C0 |
| 0x45 | Output State QCLK_C1 |
| 0x46-0x47 | Reserved |
| 0x48 | Φ REF_C0 Delay, MUX, PD |
| 0x49 | Φ REF_C1 Delay, MUX, PD |
| 0x4A-0x4B | Reserved |
| 0x4C | Output State QREF_C0 |
| 0x4D | Output State QREF_C1 |
| 0x4E-0x4F | Reserved |
| 0x50 | Channel D, Output Divider |
| 0x51 | Channel D Delay Φ CLK_D |
| 0x52 | Channel D PD |
| 0x53 | Reserved |
| 0x54 | Output State QCLK_D |
| 0x55-0x57 | Reserved |
| 0x58 | Φ REF_D Delay, MUX, PD |
| 0x59-0x5B | Reserved |
| 0x5C | Output State QREF_D |
| 0x5D-0x6B | Reserved |
| 0x6C-0x6D | DAC_CODE |
| 0x6E-0x6F | General Control |
| 0x70 | Reserved |
| 0x71-0x73 | General Control |
| 0x74 | Output State QCLK |
| 0x75 | Reserved |
| 0x76 | Output State QREF |

Table 12. Configuration Registers (Cont.)

| Register Address | Register Description |
|------------------|----------------------|
| 0x77 | Reserved |
| 0x78 | Do not use |
| 0x79 | Do not use |
| 0x7A | Do not use |
| 0x7B | Do not use |
| 0x7C-0x7D | Do not use |
| 0x7E | Do not use |
| 0x7F | Do not use |
| 0x80-0xFF | Do not use |

Channel and Clock Output Registers

The content of the channel register and clock output registers set the clock divider, output style, amplitude, power down state, enable state and the clock phase delay.

Table 13. Channel and Clock Output Register Bit Field Locations

| Bit Field Location | | | | | | | | |
|---|--|------------|------------|----------------------------------|-------------------------------------|------------|--|-----------|
| Register Address | D7 | D6 | D5 | D4 | D3 | D2 | D1 | D0 |
| 0x20 0x30 0x40 0x50 | Reserved | Reserved | Reserved | Reserved | Reserved | | N_A[2:0] N_B[2:0] N_C[2:0] N_D[2:0] | |
| 0x21 0x31 0x41 0x51 | Φ CLK_A[7:0] Φ CLK_B[7:0] Φ CLK_C[7:0] Φ CLK_D[7:0] | | | | | | | |
| 0x22 0x32 0x42 0x52 | PD_A PD_B PD_C PD_D | Reserved | Reserved | Reserved | Reserved | Reserved | Reserved | Reserved |
| 0x24: QCLK_A0 0x25: QCLK_A1 0x26: QCLK_A2 | PD_A0 PD_A1 PD_A2 | Reserved | Reserved | STYLE_A0 STYLE_A1 STYLE_A2 | A_A0[1:0] A_A1[1:0] A_A2[1:0] | Reserved | | |
| 0x34: QCLK_B0 0x35: QCLK_B1 | PD_B0 PD_B1 | Reserved | Reserved | STYLE_B0 STYLE_B1 | A_B0[1:0] A_B1[1:0] | Reserved | | |
| 0x44: QCLK_C0 0x45: QCLK_C1 | PD_C0 PD_C1 | Reserved | Reserved | STYLE_C0 STYLE_C1 | A_C0[1:0] A_C1[1:0] | Reserved | | |
| 0x54: QCLK_D | PD_D | Reserved | Reserved | STYLE_D | A_D[1:0] | Reserved | | |
| 0x74 | EN_QCLK_A0 | EN_QCLK_A1 | EN_QCLK_A2 | EN_QCLK_B0 | EN_QCLK_B1 | EN_QCLK_C0 | EN_QCLK_C1 | EN_QCLK_D |

Table 14. Channel and Clock Output Register Descriptions^[a]

| Register Description | | | | |
|-------------------------|------------|-------------------------|--|--|
| Bit Field Name | Field Type | Default (Binary) | Description | |
| N _x [2:0] | R/W | 000 Value: ÷1 | Output Frequency Divider N | |
| | | | N _x [2:0] | Frequency Divider |
| | | | 000 | ÷1 (Divider bypassed and powered-down) |
| | | | 001 | ÷2 |
| | | | 010 | ÷4 |
| | | | 011 | ÷6 |
| | | | 100 | ÷8 |
| | | | 101 | ÷12 |
| | | | 110 | ÷16 |
| | | | 111 | Not defined |
| | | | If N _x [2:0] = 000 (÷1), set BYP_INIT = 1 to exclude the divider from initialization. | |
| PD _x | R/W | 0 | 0 = Channel <i>x</i> is powered up 1 = Channel <i>x</i> is powered down | |
| PD _y | R/W | 0 | 0 = Output QCLK _y is powered up 1 = Output QCLK _y is powered down | |
| ΦCLK _x [7:0] | R/W | 0000 0000 Value: 0ns | CLK _x Phase Delay | |
| | | | ΦCLK _x [7:0] | Phase Delay in units of the input period: ΦCLK _x [7:0] ÷ f _{IN} (256 steps). |
| | | | 0000 0000 | 0ps |
| | | | 0000 0001 | 1 ÷ f _{IN} |
| | | | 1111 1111 | 255 ÷ f _{IN} |
| A _y [1:0] | R/W | 00 Value: 250mV | QCLK _y Output Amplitude | |
| | | | Setting for STYLE = 0 (LVDS) Termination: 100Ω across | Setting for STYLE = 1 (LVPECL) Termination: 50Ω to VT |
| | | | A[1:0] = 00: 250mV | |
| | | | A[1:0] = 01: 500mV | |
| | | A[1:0] = 10: 750mV | | |
| | | A[1:0] = 11: 1000mV | | |
| STYLE _y | | 0 Value: LVDS | QCLK _y Output Format: 0 = Output is LVDS (requires LVDS 100Ω output termination) 1 = Output is LVPECL (requires LVPECL 50Ω output termination to the specified recommended termination voltage) | |
| EN _y | | 0 Value: disabled | QCLK _y Output Enable: 0 = QCLK _y Output is disabled at the logic low state 1 = QCLK _y Output is enabled | |

[a] *x* = A, B, C, D; *y* = A0, A1, A2, B0, B1, C0, C1, D.

QREF Output State Registers

The content of the QREF output registers selects the source signal of the QREF outputs, set the phase delay, the style, the amplitude, the power state, the enable state and the output bias.

Table 15. QREF Output State Register Bit Field Locations^[a]

| Bit Field Location | | | | | | | | |
|---|-------------------------|------------|----------------------------------|----------------------------------|--|------------|------------|-----------|
| Register Address | D7 | D6 | D5 | D4 | D3 | D2 | D1 | D0 |
| 0x28: QREF_A0 0x29: QREF_A1 0x2A: QREF_A2 | Reserved | Reserved | Reserved | MUX_A0 MUX_A1 MUX_A2 | ΦREF_A0[2:0] ΦREF_A1[2:0] ΦREF_A2[2:0] | | | Reserved |
| 0x38: QREF_B0 0x39: QREF_B1 | Reserved | Reserved | Reserved | MUX_B0 MUX_B1 | ΦREF_B0[2:0] ΦREF_B1[2:0] | | | Reserved |
| 0x48: QREF_C0 0x49: QREF_C1 | Reserved | Reserved | Reserved | MUX_C0 MUX_C1 | ΦREF_C0[2:0] ΦREF_C1[2:0] | | | Reserved |
| 0x58: QREF_D | Reserved | Reserved | Reserved | MUX_D | ΦREF_D[2:0] | | | Reserved |
| 0x2C: QREF_A0 0x2D: QREF_A1 0x2E: QREF_A2 | PD_A0 PD_A1 PD_A2 | Reserved | nBIAS_A0 nBIAS_A1 nBIAS_A2 | STYLE_A0 STYLE_A1 STYLE_A2 | A_A0[1:0] A_A1[1:0] A_A2[1:0] | | Reserved | Reserved |
| 0x3C: QREF_B0 0x3D: QREF_B1 | PD_B0 PD_B1 | Reserved | nBIAS_B0 nBIAS_B1 | STYLE_B0 STYLE_B1 | A_B0[1:0] A_B1[1:0] | | Reserved | Reserved |
| 0x4C: QREF_C0 0x4D: QREF_C1 | PD_C0 PD_C1 | Reserved | nBIAS_C0 nBIAS_C1 | STYLE_C0 STYLE_C1 | A_C0[1:0] A_C1[1:0] | | Reserved | Reserved |
| 0x5C: QREF_D | PD_D | Reserved | nBIAS_D | STYLE_D | A_D[1:0] | | Reserved | Reserved |
| 0x76 | EN_QREF_A0 | EN_QREF_A1 | EN_QREF_A2 | EN_QREF_B0 | EN_QREF_B1 | EN_QREF_C0 | EN_QREF_C1 | EN_QCLK_D |

[a] r = A0, A1, A2, B0, B1, C0, C1, D.

Table 16. QREF Output State Register Descriptions^[a]

| Register Description | | | | | | | |
|-------------------------|------------|--|--|--|--|-----|------|
| Bit Field Name | Field Type | Default (Binary) | Description | | | | |
| MUX _r | R/W | 1 Value: QREF = SYSREF | 0 = QREF _r output signal source is the channel's clock signal 1 = QREF _r output signal source is the centrally generated SYSREF signal | | | | |
| ΦREF _r [2:0] | R/W | 000 Value: 0ps | SYSREF Phase Delay: QREF _r delay = ΦREF _r [2:0] · T _{DCB} . Delay values for f _{DCO} = 983.04MHz. Delay values are a function of T _{DCB} . | | | | |
| | | | ΦREF _r [2:0] | QREF _r delay in ps for a DLC[1:0] setting of: | | | |
| | | | | 00 | 01 | 10 | 11 |
| | | | 000 | 0 | 0 | 0 | 0 |
| | | | 001 | 131 | 262 | 393 | 524 |
| | | | 010 | 262 | 524 | 786 | 1048 |
| | | | ... | ... | ... | ... | ... |
| 111 | 917 | 1834 | 2751 | 3668 | | | |
| nBIAS _r | R/W | 0 | QREF _r Output Bias Voltage: Individual QREF _r output LVDS output bias operation. Not applicable to QREF _r outputs set to LVPECL mode. 0 = Normal operation 1 = Output is biased to the LVDS cross-point voltage if BIAS _{TYPE} (register 0x19, bit 7) is set to 1. Bit has no effect if BIAS _{TYPE} = 0. Output bias = 1 requires AC coupling and LVDS style on the corresponding output. | | | | |
| | | | BIAS _{TYPE} | nBIAS _r | QREF _r output operation if set to LVDS. | | |
| | | | 0 | 0 | QREF _r outputs are initially logic low (QREF _r = L, nQREF _r = H) and will start switching on the first rising edge of the REF input. Use in DC-coupled applications. | | |
| | | | 0 | 1 | Disabled with static low/high levels. During a SYSREF event, the output remains at static low levels (QREF _r = L, nQREF _r = H). | | |
| | | | 1 | 0 | Both QREF _r and nQREF _r outputs are initially set to the LVDS crosspoint level (VOS) and will start switching on the first rising edge of the REF input. Use in AC-coupled applications. | | |
| 1 | 1 | Output is statically set to the LVDS crosspoint voltage. During a SYSREF event, the output remains at the LVDS crosspoint level (VOS). | | | | | |

Table 16. QREF Output State Register Descriptions^[a]

| Register Description | | | | |
|----------------------|------------|-------------------------------|---|--|
| Bit Field Name | Field Type | Default (Binary) | Description | |
| A _r [1:0] | R/W | 00 Value: 250mV | QREF _r Output Amplitude | |
| | | | Setting for STYLE = 0 (LVDS) Termination: 100Ω across | Setting for STYLE = 1 (LVPECL) Termination: 50Ω to VT |
| | | | A[1:0] = 00: 250mV A[1:0] = 01: 500mV A[1:0] = 10: 750mV A[1:0] = 11: 1000mV | |
| PD _r | R/W | 0 Value: Powered up | QREF _r Output Power Down: 0 = Output is powered up 1 = Output is powered down. STYLE, EN and A[1:0] settings have no effect | |
| STYLE _r | R/W | 0 Value: LVDS | QREF _r Output Format: 0 = Output is LVDS (requires LVDS 100Ω output termination) 1 = Output is LVPECL (requires LVPECL 50Ω output termination of to the specified recommended termination voltage) | |
| EN _r | R/W | 0 Value: Disabled | QREF _r Output Enable: 0 = Output is disabled at the logic low state 1 = Output is enabled | |

[a] r = A0, A1, A2, B0, B1, C0, C1, D.

SYSREF Control Registers

Table 17. SYSREF Control Register Bit Field Locations

| Bit Field Location | | | | | | | | |
|--------------------|------------|------------|----------|----------|----------|----------|----------|----------|
| Register Address | D7 | D6 | D5 | D4 | D3 | D2 | D1 | D0 |
| 0x18 | PD_S | Reserved | Reserved | Reserved | Reserved | Reserved | Reserved | Reserved |
| 0x19 | BIAS_TYPE | DLC[1:0] | | Reserved | Reserved | Reserved | Reserved | M_DCB[8] |
| 0x1A | M_DCB[7:0] | | | | | | | |
| 0x1B | Reserved | P_DCB[6:0] | | | | | | |

Table 18. SYSREF Control Register Descriptions

| Register Description | | | | | |
|----------------------|------------|--|--|---------|--|
| Bit Field Name | Field Type | Default (Binary) | Description | | |
| PD_S | R/W | 1 Value: Powered down | SYSREF Global Power-down: 0 = SYSREF functional blocks are powered-up 1 = SYSREF functional blocks are powered-down | | |
| BIAS_TYPE | R/W | 1 | SYSREF Output Voltage Bias: Global to all QREF_r outputs bit to control the LVDS output operation. Not applicable to QREF_r outputs set to LVPECL mode. | | |
| | | | BIAS_TYPE | nBIAS_r | QREF_r output operation if set to LVDS. |
| | | | 0 | 0 | QREF_r outputs are initially logic low (QREF_r = L, nQREF_r = H) and will start switching on the first rising edge of the REF input. Use in DC-coupled applications. |
| | | | 0 | 1 | Disabled with static low/high levels. During a SYSREF event, the output remains at static low levels (QREF_r = L, nQREF_r = H). |
| | | | 1 | 0 | Both QREF_r and nQREF_r outputs are initially set to the LVDS crosspoint level (VOS) and will start switching on the first rising edge of the REF input. Use in AC-coupled applications. |
| 1 | 1 | Output is statically set to the LVDS crosspoint voltage. During a SYSREF event, the output remains at the LVDS crosspoint level (VOS). | | | |

Table 18. SYSREF Control Register Descriptions

| Register Description | | | | |
|----------------------|------------|----------------------------|---|---|
| Bit Field Name | Field Type | Default (Binary) | Description | |
| DLC[1:0] | R/W | 00 Value: 131ps | Delay Unit Multiplier: Effective delay unit for the SYSREF outputs is $(1 + \text{DLC}[1:0]) \div (8 \cdot f_{\text{DCO}})$. | |
| | | | DLC[1:0] | Effective SYSREF Delay Unit for $f_{\text{DCO}} = 983.04\text{MHz}$ |
| | | | 00 | 131ps |
| | | | 01 | 262ps |
| | | | 10 | 393ps |
| | | | 11 | 524ps |
| M_DCB[8:0] | R/W | 0 0000 1000 Value: 8 | Delay Calibration Block (DCB) DCO feedback divider. Set in conjunction with f_{IN} and P_DCB to achieve a DCO frequency of $983.04 \pm 20\text{MHz}$: $f_{\text{DCO}} = f_{\text{IN}} \div P_{\text{DCB}} \cdot M_{\text{DCB}}$. | |
| P_DCB[6:0] | R/W | 000 1000 Value: 8 | Delay Calibration Block (DCB) DCO input divider. Set in conjunction with f_{IN} and M_DCB to achieve DCO frequency of $983.04 \pm 20\text{MHz}$: $f_{\text{DCO}} = f_{\text{IN}} \div P_{\text{DCB}} \cdot M_{\text{DCB}}$. DCO phase detector frequency should not exceed 200MHz. | |

General Control Registers

Table 19. General Control Register Bit Field Locations

| Bit Field Location | | | | | | | | |
|--------------------|---------------|----------------|------------|----------|----------|----------|----------|----------|
| Register Address | D7 | D6 | D5 | D4 | D3 | D2 | D1 | D0 |
| 0x6C | Reserved | DAC_CODE[14:8] | | | | | | |
| 0x6D | DAC_CODE[7:0] | | | | | | | |
| 0x6E | Reserved | Reserved | Reserved | Reserved | Reserved | Reserved | Reserved | Reserved |
| 0x6F | Reserved | Reserved | PBIAS[5:0] | | | | | |
| 0x70 | Reserved | Reserved | Reserved | Reserved | Reserved | Reserved | Reserved | Reserved |
| 0x71 | INIT_CLK | Reserved | Reserved | Reserved | Reserved | Reserved | Reserved | Reserved |
| 0x72 | DCB_CAL | Reserved | Reserved | Reserved | Reserved | Reserved | Reserved | Reserved |
| 0x73 | PB_CAL | Reserved | Reserved | Reserved | Reserved | Reserved | BYP_INIT | CPOL |

Table 20. General Control Register Descriptions

| Register Description | | | |
|----------------------|----------------------|------------------|--|
| Bit Field Name | Field Type | Default (Binary) | Description |
| DAC_CODE[14:0] | R only | X | DAC_CODE is the result of the internal DCB calibration routine. Trigger calibration by setting the DCB_CAL bit. |
| PBIAS[5:0] | R only | X | BIAS level. |
| INIT_CLK | W only Auto-Clear | X | Clock divider and phase clock phase delay initialization. Set INIT_CLK = 1 to initialize N _x divider and Φ CLK _x clock phase delay functions. Required as part of the startup procedure and after each change of a clock divider or clock phase delay value. |
| PB_CAL | W only Auto-Clear | X | Precision Bias Calibration: Set PB_CAL to 1 starts the auto-calibration of an internal precision bias current source. The bias current is used as reference for outputs configured as LVDS. This bit will auto-clear after the calibration completed. Required to set as part of the startup procedure. |

Table 20. General Control Register Descriptions

| Register Description | | | |
|----------------------|----------------------|------------------|---|
| Bit Field Name | Field Type | Default (Binary) | Description |
| DCB_CAL | W only Auto-Clear | X | DCB Calibration: Setting this bit to 1 will begin the auto-calibration of the DCB. The DCB provides a reference for the SYSREF delay circuits. This bit will auto-clear. This bit should be set as part of the startup procedure. The result of the calibration routine is stored in the DAC_CODE register. |
| BYP_INIT | R/W | 1 | Bypass Clock Frequency Divide Initializer: 0 = The clock dividers N_{A-D} are initialized when INIT_CLK = 1 1 = The clock dividers N_{A-D} are excluded from the initialization. This setting is only applicable to N_{A-D} dividers = $\neq 1$ and should be used to achieve output phase alignment across multiple devices. |
| CPOL | R/W | 0 | SPI Read Operation SCLK Polarity: 0 = Data bits on MISO are output at the falling edge of SCLK edge. 1 = Data bits on MISO are output at the rising edge of SCLK edge. |

Electrical Characteristics

Absolute Maximum Ratings

The absolute maximum ratings are stress ratings only. Stresses greater than those listed below can cause permanent damage to the device. Functional operation of the 8V79S680 at absolute maximum ratings is not implied. Exposure to absolute maximum rating conditions may affect device reliability.

Table 21. Absolute Maximum Ratings

| Item | Rating |
|--|-----------------------------|
| Supply Voltage, V_{DD_V} | 3.6V |
| Inputs | -0.5V to $V_{DD_V} + 0.5V$ |
| Outputs, V_O (LVCMOS) | -0.5V to $V_{DD_V} + 0.5V$ |
| Outputs, I_O (LVPECL) Continuous Current Surge Current | 50mA 100mA |
| Outputs, I_O (LVDS) Continuous Current Surge Current | 50mA 100mA |
| Input termination current, I_{VT} | $\pm 35mA$ |
| Operating Junction Temperature, T_J | 125°C |
| Storage Temperature, T_{STG} | -65°C to 150°C |
| ESD - Human Body Model ^[a] | 2000V |
| ESD - Charged Device Model ^[a] | 500V |

[a] According to JEDEC JS-001-2012/JESD22-C101.

Pin Characteristics

Table 22. Pin Characteristics, $V_{DD_V} = 3.3V \pm 5\%$, $T_A = -40^\circ C$ to $+85^\circ C$

| Symbol | Parameter | Test Conditions | Minimum | Typical | Maximum | Units |
|-----------|--------------------------|--------------------|---------|---------|---------|------------|
| C_{IN} | Input Capacitance | | | 2 | 4 | pF |
| R_{PD} | Input Pull-Down Resistor | SCLK | | 51 | | k Ω |
| R_{PU} | Input Pull-Up Resistor | nCS | | 51 | | k Ω |
| R_{OUT} | LVCMOS Output Impedance | SDAT (when output) | | 25 | | Ω |

DC Characteristics

Table 23. Power Supply DC Characteristics, $V_{DD_V} = 3.3V \pm 5\%$, $T_A = -40^\circ C$ to $+85^\circ C$ ^[a]

| Symbol | Parameter | Test Conditions | Minimum | Typical | Maximum | Units |
|------------------------|----------------------|--|---------|---------|---------|-------|
| V_{DD_V} | Core Supply Voltage | | 3.135 | 3.3 | 3.465 | V |
| $I_{DD}(\text{Total})$ | Power Supply Current | QCLK_y and QREF_r set to LVDS, 750mV amplitude, terminated 100Ω, Nx dividers set to ÷1 | | | 705 | mA |

[a] Electrical parameters are guaranteed over the specified ambient operating temperature range, which is established when the device is mounted in a test socket with maintained transverse airflow greater than 500 lpm. The device will meet specifications after thermal equilibrium has been reached under these conditions.

Table 24. Typical Power Supply Current Characteristics, $V_{DD_V} = 3.3V$, $T_A = 25^\circ C$ ^[a]

| Symbol | Supply Pin Current | | Test Case | | | | | | Unit |
|----------------|---|-----------|-----------|--------|-------|-------|-------|-------|------|
| | | | 1 | 2 | 3 | 4 | 5 | 6 | |
| | QCLK_y | Style | LVPECL | LVPECL | LVDS | LVDS | LVDS | LVDS | |
| | | State | On | On | On | On | On | On | |
| | | Amplitude | 500 | 750 | 500 | 500 | 750 | 750 | mV |
| | QREF_r | Style | LVDS | LVDS | LVDS | LVDS | LVDS | LVDS | |
| | | State | Off | Off | Off | On | On | On | |
| | | Amplitude | – | – | – | 250 | 250 | 500 | mV |
| I_{DD_CA} | Current through V_{DD_QCLKA} pin(s) | | 109.6 | 127.3 | 73.0 | 73.0 | 95.0 | 95.0 | mA |
| I_{DD_RA01} | Current through $V_{DD_QREFA01}$ pin(s) | | 1.5 | 1.5 | 1.5 | 27.0 | 26.9 | 43.0 | mA |
| I_{DD_RA2} | Current through V_{DD_QREFA2} pin(s) | | 0.8 | 0.7 | 0.8 | 13.5 | 13.5 | 20.5 | mA |
| I_{DD_CB} | Current through V_{DD_QCLKB} pin(s) | | 72.4 | 83.6 | 48.0 | 48.0 | 63.0 | 63.0 | mA |
| I_{DD_RB} | Current through V_{DD_QREFB} pin(s) | | 1.5 | 1.5 | 1.5 | 27.0 | 27.0 | 43.0 | mA |
| I_{DD_CC} | Current through V_{DD_QCLKC} pin(s) | | 76.2 | 87.7 | 49.3 | 49.0 | 63.0 | 63.0 | mA |
| I_{DD_RC} | Current through V_{DD_QREFC} pin(s) | | 1.5 | 1.5 | 1.5 | 27.0 | 27.0 | 43.0 | mA |
| I_{DD_CD} | Current through V_{DD_QCLKD} pin(s) | | 43.8 | 49.6 | 29.5 | 29.5 | 36.4 | 36.4 | mA |
| I_{DD_RD} | Current through V_{DD_QREFD} pin(s) | | 0.8 | 0.8 | 0.8 | 13.6 | 13.6 | 20.7 | mA |
| I_{DD_CLK} | Current through V_{DD_CLK} pin(s) | | 40.3 | 40.2 | 39.8 | 40.2 | 40.2 | 40.1 | mA |
| I_{DD_REF} | Current through V_{DD_REF} pin(s) | | 9.8 | 9.8 | 9.7 | 52.8 | 53.5 | 54.2 | mA |
| I_{DD_SPI} | Current through V_{DD_SPI} pin(s) | | 12.8 | 13.1 | 12.9 | 13.3 | 13.4 | 13.4 | mA |
| PTOT | Total Device Power Consumption | | 1.223 | 1.377 | 0.885 | 1.365 | 1.559 | 1.766 | W |
| PTOT, SYS | Total System Power Consumption ^[b] | | 1.403 | 1.557 | 0.885 | 1.365 | 1.559 | 1.766 | W |

[a] f_{IN} (input) = 983.04MHz, $f_{SYSREF} = 7.68\text{MHz}$. Supply current is independent on the output frequency. QCLK_y outputs terminated according to amplitude settings. QREF_r outputs unterminated when SYSREF is turned off.

[b] Includes total device power consumption and the power dissipated in external output termination components.

Table 25. LVCMOS (JESD8-7A, 1.8V) DC Characteristics, $V_{DD_V} = 3.3V \pm 5\%$, $T_A = -40^\circ\text{C}$ to $+85^\circ\text{C}$ ^[a] ^[b]

| Symbol | Parameter | | Test Conditions | Minimum | Typical | Maximum | Units |
|----------|--|--------------------|-----------------------------------|---------|---------|---------|---------------|
| V_{T+} | Positive-going input threshold voltage | SCLK, nCS, SDAT | | 0.660 | | 1.365 | V |
| V_{T-} | Negative-going input threshold voltage | | | 0.495 | | 1.170 | V |
| V_H | Hysteresis Voltage | | $V_{T+} - V_{T-}$ | 0.165 | | 0.780 | V |
| I_{IH} | Input High Current | | $V_{DD_V} = 3.3V, V_{IN} = 1.8V$ | | | 150 | μA |
| I_{IL} | Input Low Current | | $V_{DD_V} = 3.465V, V_{IN} = 0V$ | -150 | | | μA |
| V_{OH} | Output High Voltage | SDAT (when output) | $I_{OH} = -4\text{mA}$ | 1.4 | | | V |
| V_{OL} | Output Low Voltage | | $I_{OL} = 4\text{mA}$ | | | 0.45 | V |

[a] Electrical parameters are guaranteed over the specified ambient operating temperature range, which is established when the device is mounted in a test socket with maintained transverse airflow greater than 500 lfpm. The device will meet specifications after thermal equilibrium has been reached under these conditions.

[b] Table is valid for the SPI interface pins nCS, SCLK and SDAT. SPI inputs have hysteresis.

Table 26. Differential Input DC Characteristics, $V_{DD_V} = 3.3V \pm 5\%$, $T_A = -40^\circ\text{C}$ to $+85^\circ\text{C}$ ^[a]

| Symbol | Parameter | | Test Conditions | Minimum | Typical | Maximum | Units |
|----------------|-------------------------------|------------------------|-----------------|---------|---------|---------|----------|
| R_{IN} | Input Resistance | CLK, nCLK REF, nREF | | 43.5 | 50 | 56.5 | Ω |
| R_{IN_DIFF} | Differential Input Resistance | CLK, nCLK REF, nREF | | 87 | 100 | 113 | Ω |

[a] Electrical parameters are guaranteed over the specified ambient operating temperature range, which is established when the device is mounted in a test socket with maintained transverse airflow greater than 500 lfpm. The device will meet specifications after thermal equilibrium has been reached under these conditions.

Table 27. LVPECL DC Characteristics (QCLK_y, QREF_r, STYLE = 1), $V_{DD_V} = 3.3V \pm 5\%$, $T_A = -40^{\circ}C$ to $+85^{\circ}C$ ^[a]

| Symbol | Parameter | Test Conditions | Minimum | Typical | Maximum | Units |
|----------|------------------------------------|--------------------------|--------------------|--------------------|--------------------|-------|
| V_{OH} | Output High Voltage ^[b] | Any Amplitude Setting | $V_{DD_V} - 1.10$ | $V_{DD_V} - 0.85$ | $V_{DD_V} - 0.65$ | V |
| V_{OL} | Output Low Voltage ^[b] | 250mV Amplitude Setting | $V_{DD_V} - 1.30$ | $V_{DD_V} - 1.15$ | $V_{DD_V} - 1.10$ | V |
| | | 500mV Amplitude Setting | $V_{DD_V} - 1.55$ | $V_{DD_V} - 1.40$ | $V_{DD_V} - 1.25$ | V |
| | | 750mV Amplitude Setting | $V_{DD_V} - 1.80$ | $V_{DD_V} - 1.65$ | $V_{DD_V} - 1.50$ | V |
| | | 1000mV Amplitude Setting | $V_{DD_V} - 2.10$ | $V_{DD_V} - 1.90$ | $V_{DD_V} - 1.75$ | V |

[a] Electrical parameters are guaranteed over the specified ambient operating temperature range, which is established when the device is mounted in a test socket with maintained transverse airflow greater than 500 lfpm. The device will meet specifications after thermal equilibrium has been reached under these conditions.

[b] Outputs terminated with 50Ω to $V_{DD_V} - 1.5V$ (250mV amplitude setting), $V_{DD_V} - 1.75V$ (500mV amplitude setting), $V_{DD_V} - 2.0V$ (750mV amplitude setting), $V_{DD_V} - 2.25V$ (1000mV amplitude setting). V_{DD_V} .

Table 28. LVDS DC Characteristics (QCLK_y, QREF_r, STYLE = 0), $V_{DD_V} = 3.3V \pm 5\%$, $T_A = -40^{\circ}C$ to $+85^{\circ}C$ ^[a] [b]

| Symbol | Parameter | Test Conditions | Minimum | Typical | Maximum | Units |
|-----------------|-------------------------------|--------------------------|---------|---------|---------|-------|
| V_{OS} | Offset Voltage ^[c] | 250mV Amplitude Setting | 2.00 | 2.40 | 2.80 | V |
| | | 500mV Amplitude Setting | 1.80 | 2.23 | 2.60 | V |
| | | 750mV Amplitude Setting | 1.70 | 2.08 | 2.50 | V |
| | | 1000mV Amplitude Setting | 1.55 | 1.93 | 2.35 | V |
| ΔV_{OS} | V_{OS} Magnitude Change | | | 50 | mV | |

[a] Electrical parameters are guaranteed over the specified ambient operating temperature range, which is established when the device is mounted in a test socket with maintained transverse airflow greater than 500 lfpm. The device will meet specifications after thermal equilibrium has been reached under these conditions.

[b] Outputs are terminated 100Ω .

[c] V_{OS} changes with V_{DD_V} .

AC Characteristics

Table 29. AC Characteristics, $V_{DD_V} = 3.3V \pm 5\%$, $T_A = -40^\circ C$ to $+85^\circ C$ ^[a]

| Symbol | Parameter | | Test Conditions | Minimum | Typical | Maximum | Units |
|-------------------|---|------------------------|--|---------|---------|----------------------------|-------|
| f_{IN} | Input Frequency ^[b] | CLK, nCLK | | 0 | 983.04 | 3000 | MHz |
| | | REF, nREF | | 0 | | 100 | MHz |
| V_{IN} | Input Voltage Amplitude ^[c] | CLK, nCLK REF, nREF | | 0.15 | | 1.2 | V |
| V_{DIFF_IN} | Differential Input Voltage Amplitude ^{[c] [d]} | CLK, nCLK REF, nREF | | 0.3 | | 2.4 | V |
| V_{CMR} | Common Mode Input Voltage | | | 1.125 | | $V_{DD_V} - (V_{IN} / 2)$ | V |
| f_{OUT} | Output Frequency | | QCLK, QREF (Clock), $N = \div 1$ to $\div 16$ | 0 | 983.04 | $3000 \div N$ | MHz |
| | | | QREF (SYSREF) | 0 | | 100 | MHz |
| odc | Output Duty Cycle ^[e] | | QCLK, QREF (Clock), $f_{CLK} \leq 2500MHz$ | 45 | 50 | 55 | % |
| | | | QCLK, QREF (Clock), $2500MHz < f_{CLK} \leq 3000MHz$ | 43 | 50 | 57 | % |
| | | | QREF (SYSREF at 7.68MHz) | 45 | 50 | 55 | % |
| t_R / t_F | Output Rise/Fall Time | | QCLK, QREF (LVPECL), 20% to 80% | | | 250 | ps |
| | | | QCLK, QREF (LVDS), 20% to 80% | | | 250 | ps |
| | | | QREF (SYSREF, LVDS), 20% to 80% | | | 250 | ps |
| $V_{O(PP)}^{[f]}$ | LVPECL Output Voltage Swing, Peak-to-peak, 983.04MHz | | 250mV Amplitude Setting | 260 | 300 | 320 | mV |
| | | | 500mV Amplitude Setting | 430 | 532 | 650 | mV |
| | | | 750mV Amplitude Setting | 675 | 785 | 920 | mV |
| | | | 1000mV Amplitude Setting | 950 | 981 | 1150 | mV |
| | LVPECL Differential Output Voltage Swing, Peak-to-peak, 983.04MHz | | 250mV Amplitude Setting | 520 | 600 | 640 | mV |
| | | | 500mV Amplitude Setting | 860 | 1064 | 1300 | mV |
| | | | 750mV Amplitude Setting | 1350 | 1570 | 1840 | mV |
| | | | 1000mV Amplitude Setting | 1900 | 1962 | 2300 | mV |
| $V_{O(PP)}^{[g]}$ | LVDS Output Voltage Swing, Peak-to-peak, 983.04MHz | | 250mV Amplitude Setting | 190 | 240 | 280 | mV |
| | | | 500mV Amplitude Setting | 400 | 500 | 570 | mV |
| | | | 750mV Amplitude Setting | 625 | 750 | 840 | mV |
| | | | 1000mV Amplitude Setting | 800 | 1000 | 1160 | mV |
| | LVDS Differential Output Voltage Swing, Peak-to-peak, 983.04MHz | | 250mV Amplitude Setting | 380 | 480 | 560 | mV |
| | | | 500mV Amplitude Setting | 800 | 1000 | 1140 | mV |
| | | | 750mV Amplitude Setting | 1250 | 1500 | 1680 | mV |
| | | | 1000mV Amplitude Setting | 1600 | 2000 | 2320 | mV |

Table 29. AC Characteristics, $V_{DD_V} = 3.3V \pm 5\%$, $T_A = -40^\circ C$ to $+85^\circ C$ ^[a]

| Symbol | Parameter | Test Conditions | Minimum | Typical | Maximum | Units |
|-----------------|--|--|---------|---------|---------|-------|
| /sk(o) | Output Skew; NOTE ^[h] [i] All delays set to 0 | QCLK (same N divider) ^[j] | | | 100 | ps |
| | | QCLK (any N divider, incident rising edge) | | | 100 | ps |
| | | QREF (Clock) | | | 100 | ps |
| | | QREF (SYSREF) | | | 100 | ps |
| | | QCLK to QREF (QREF as clock output) ^[j] | | | 190 | ps |
| /sk(pp) | Part-to-part skew All delays set to 0 | CLK to any QCLK ^[j] | | | 375 | ps |
| | | REF to any QREF | | | 375 | ps |
| t _{PD} | Propagation Delay ^j All delay circuits set to 0 | CLK to QCLK _y ^[j] | 300 | | 850 | ps |
| | | CLK to QCLK _y (divider bypass) ^[j] | 300 | 550 | 850 | ps |
| | | REF to QREF _r ($\Phi_{REF_y} = 0$) | 700 | 900 | 1050 | ps |
| Δt_{PD} | Propagation delay variation between the clock input and any QCLK _y output | CLK to QCLK _y ^[j] | -100 | | +100 | ps |
| | Output isolation between any QCLK-QCLK and QREF-QREF outputs | f _{QCLK_y} = 983.04MHz ^[k] | 60 | | | dB |
| | | f _{QCLK_y} = 491.52MHz ^[k] | 65 | | | dB |
| | | f _{QCLK_y} = 245.76MHz ^[k] | 70 | | | dB |
| | Output isolation between any QREF/QCLK outputs | f _{QCLK_y} = 983.04MHz, 491.52MHz, 245.76MHz; f _{QREF_r} = 7.68MHz | 50 | | | dB |

[a] Electrical parameters are guaranteed over the specified ambient operating temperature range, which is established when the device is mounted in a test socket with maintained transverse airflow greater than 500 lfm. The device will meet specifications after thermal equilibrium has been reached under these conditions.

[b] The CLK, nCLK input supports 0Hz if the applied static signal has a minimum amplitude as specified by V_{IN} , V_{DIFF_IN} . For REF, nREF interfaces at 0Hz, See “CLK, nCLK and REF, nREF Interface in JESD204B Applications”.

[c] V_{IL} should not be less than -0.3V and V_{IH} should not be greater than V_{DD_V} .

[d] Common Mode Input Voltage is defined as the cross-point voltage.

[e] Input = 50% duty cycle.

[f] LVPECL outputs terminated with 50Ω to $V_T = V_{DD_V} - 1.5V$ (250mV amplitude setting), $V_{DD_V} - 1.75V$ (500mV amplitude setting), $V_{DD_V} - 2.0V$ (750mV amplitude setting), $V_{DD_V} - 2.25V$ (1000mV amplitude setting).

[g] LVDS outputs terminated 100Ω across Q, nQ.

[h] This parameter is defined in accordance with JEDEC standard 65.

[i] Defined as skew between outputs at the same supply voltage and with equal load conditions. Measured at the differential cross points

[j] All frequency dividers N are in ÷1, ÷2, ÷4 or ÷8; output amplitude setting 750mV.

[k] Output amplitudes set to 500mV or 750mV.

Table 30. DCB and Phase Delay Characteristics, $V_{DD_V} = 3.3V \pm 5\%$, $T_A = -40^\circ C$ to $+85^\circ C$ [a]

| Symbol | Parameter | Test Conditions | | Minimum | Typical | Maximum | Units |
|----------------|--------------------------------|--|-------------------------|---------|---------|---------|-------|
| f_{DCO} | DCO Lock Range | | | 963.04 | 983.04 | 1003.04 | MHz |
| T_{DCB} | ΦREF_r Delay Unit Range | $f_{DCO} = 983.04MHz$ | DLC = 1 (DLC[1:0] = 00) | 115 | 131 | 150 | ps |
| | | | DLC = 2 (DLC[1:0] = 01) | 230 | 262 | 300 | ps |
| | | | DLC = 3 (DLC[1:0] = 10) | 345 | 393 | 450 | ps |
| | | | DLC = 4 (DLC[1:0] = 11) | 460 | 524 | 600 | ps |
| | | $f_{DCO} = 963.04MHz$ (min DCO frequency) | DLC = 1 (DLC[1:0] = 00) | 113 | 134 | 152 | ps |
| | | | DLC = 2 (DLC[1:0] = 01) | 226 | 268 | 304 | ps |
| | | | DLC = 3 (DLC[1:0] = 10) | 339 | 402 | 456 | ps |
| | | | DLC = 4 (DLC[1:0] = 11) | 452 | 536 | 608 | ps |
| | | $f_{DCO} = 1003.04MHz$ (max DCO frequency) | DLC = 1 (DLC[1:0] = 00) | 112 | 128 | 142 | ps |
| | | | DLC = 2 (DLC[1:0] = 01) | 224 | 256 | 284 | ps |
| | | | DLC = 3 (DLC[1:0] = 10) | 336 | 384 | 426 | ps |
| | | | DLC = 4 (DLC[1:0] = 11) | 448 | 512 | 568 | ps |
| $T_{IN}^{[b]}$ | ΦCLK_x Delay Unit | $f_{IN} = 983.04MHz$ | | 1017 | | ps | |
| f_1, f_2 | DCO Phase Detector Frequency | | | | 200 | MHz | |
| Δt_D | Delay unit variation | ΦREF_r delay unit variation (deviation from nominal, DLC[1:0] = 00) | | -30 | 0 | +30 | ps |
| | | ΦCLK_y delay unit variation (deviation from nominal) | | -20 | 0 | +20 | ps |

[a] Electrical parameters are guaranteed over the specified ambient operating temperature range, which is established when the device is mounted in a test socket with maintained transverse airflow greater than 500 lpm. The device will meet specifications after thermal equilibrium has been reached under these conditions.

[b] ΦCLK_x clock channel delay unit is equal to $1 \div f_{IN}$.

Additive Clock Phase Noise Characteristics

The 8V79S680 is a buffer device, it does not filter the phase noise on the input clock source. Phase noise caused by noise sources within the device can add to the input signal noise, resulting in an increased noise on the outputs (additive phase noise). Phase noise from within the part is not correlated with the noise on the input, therefore the root-sum-square method must be used to calculate the output phase noise: $\Phi_{OUT}^2 = \Phi_{IN}^2 + \Phi_{DEVICE}^2$. As a consequence, at frequency offsets where the input phase noise Φ_{IN} is higher than internal noise sources, the effect of additive phase noise is not measurable.

Simulations of the device phase noise performance are done with an ideal input source, however, simulation models may not account for all possible internal noise sources. Table 31 shows the simulation results for the 8V79S680 buffer with an ideal input source. Table 33 shows output phase noise measured with a low-noise input source, with one column for the measured data and a second column which de-rates the measured data by a factor to model the process variation. Table 33 shows that the input phase noise is the dominating factor in the measured data up to an offset of 100kHz. Above 100kHz, the noise floor of the device dominates the characteristics.

Table 31. Additive Clock Phase Noise Characteristics (Simulation^[a]), $V_{DD_V} = 3.3V \pm 5\%$ ^[b]

| Symbol | Parameter | | Test Conditions | 25°C | 85°C, Worst Case | Units |
|----------------|-----------------------|-----------|---|--------|------------------|--------|
| $\Phi_N(1k)$ | QCLK_y Phase Noise | 245.76MHz | 1kHz offset from Carrier | -146.2 | -145.5 | dBc/Hz |
| $\Phi_N(10k)$ | | | 10kHz offset from Carrier | -156.6 | -155.3 | dBc/Hz |
| $\Phi_N(100k)$ | | | 100kHz offset from Carrier | -161.9 | -159.6 | dBc/Hz |
| $\Phi_N(1M)$ | | | 1MHz offset from Carrier | -162.4 | -160.5 | dBc/Hz |
| $\Phi_N(10M)$ | | | 10MHz offset from Carrier and Noise Floor | -162.4 | -160.5 | dBc/Hz |
| $\Phi_N(1k)$ | | 491.52MHz | 1kHz offset from Carrier | -141.6 | -141.6 | dBc/Hz |
| $\Phi_N(10k)$ | | | 10kHz offset from Carrier | -152.7 | -151.6 | dBc/Hz |
| $\Phi_N(100k)$ | | | 100kHz offset from Carrier | -159.2 | -157.0 | dBc/Hz |
| $\Phi_N(1M)$ | | | 1MHz offset from Carrier | -159.8 | -158.1 | dBc/Hz |
| $\Phi_N(10M)$ | | | 10MHz offset from Carrier and Noise Floor | -159.9 | -158.2 | dBc/Hz |
| $\Phi_N(1k)$ | | 983.04MHz | 1kHz offset from Carrier | -134.5 | -132.0 | dBc/Hz |
| $\Phi_N(10k)$ | | | 10kHz offset from Carrier | -141.4 | -141.8 | dBc/Hz |
| $\Phi_N(100k)$ | | | 100kHz offset from Carrier | -155.8 | -152.6 | dBc/Hz |
| $\Phi_N(1M)$ | | | 1MHz offset from Carrier | -157.2 | -155.3 | dBc/Hz |
| $\Phi_N(10M)$ | | | 10MHz offset from Carrier and Noise Floor | -157.2 | -155.8 | dBc/Hz |

[a] Ideal input signal: rectangular clock signal with a slew rate of 5V/ns and without phase noise.

[b] Phase noise and spurious specifications apply for device operation with QREF_r outputs inactive (no SYSREF pulses generated). Phase noise specifications are applicable for all outputs active, Nx not equal, process and voltage variations included.

Figure 8. Additive Clock Phase Noise Characteristics (85°C, Worst Case Simulation Model)

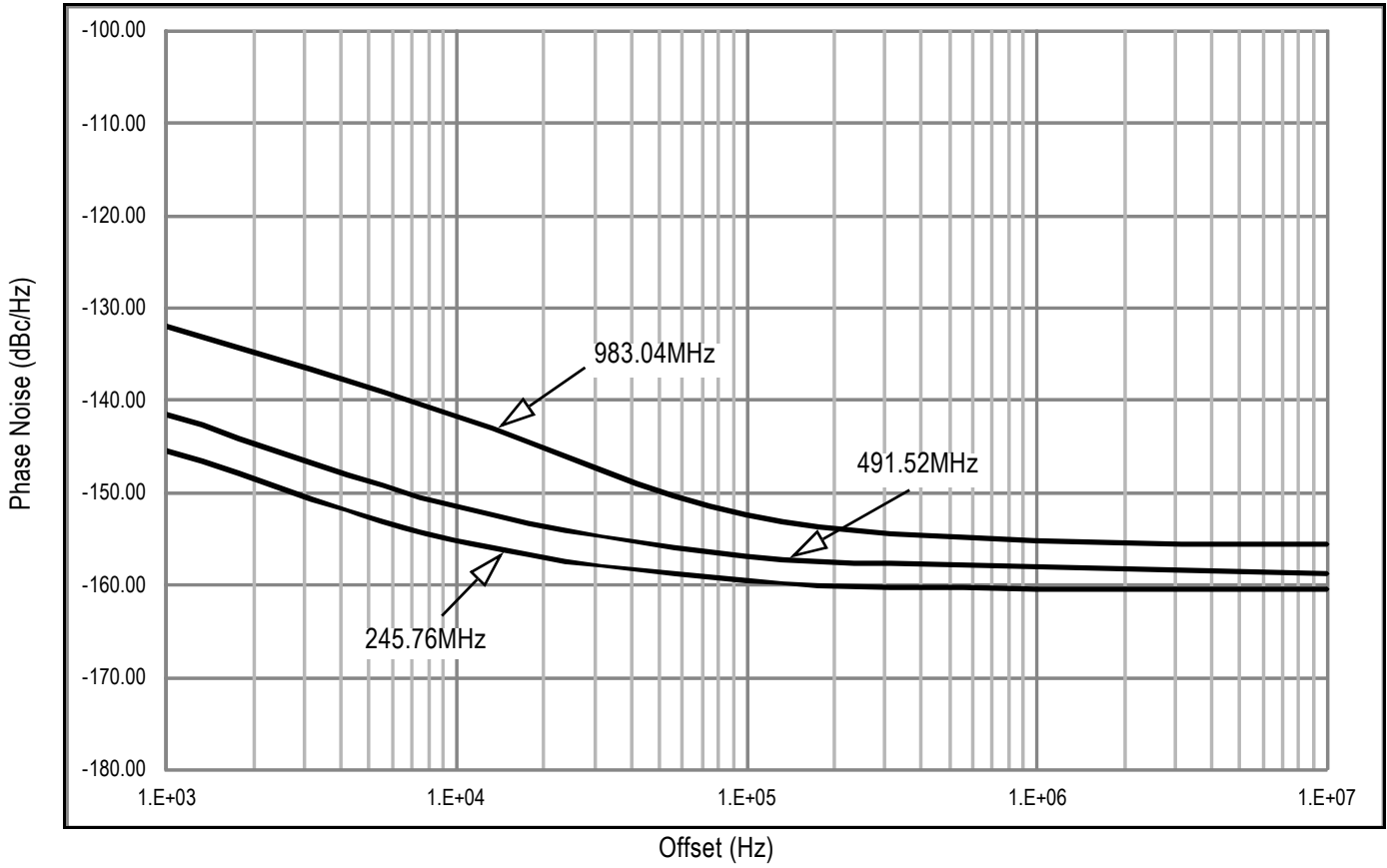


Table 32. Additive Clock Phase Noise Characteristics (Measured), $V_{DD_V} = 3.3V \pm 5\%$, $T_A = -40^\circ C$ to $+85^\circ C$ [a][b]

| Symbol | Parameter | | Test Conditions | Measured ^[c] | De-Rated ^[d] | Units |
|----------------------|------------------------------------|-----------|---|-------------------------|-------------------------|--------|
| $\Phi_N(1k)$ | QCLK Phase Noise | 245.76MHz | 1kHz offset from Carrier | -141.4 | -137.2 | dBc/Hz |
| $\Phi_N(10k)$ | | | 10kHz offset from Carrier | -151.7 | -149.5 | dBc/Hz |
| $\Phi_N(100k)$ | | | 100kHz offset from Carrier | -157.8 | -155.5 | dBc/Hz |
| $\Phi_N(1M)$ | | | 1MHz offset from Carrier | -158.6 | -156.2 | dBc/Hz |
| $\Phi_N(10M)$ | | | 10MHz offset from Carrier and Noise Floor | -158.8 | -156.3 | dBc/Hz |
| $\Phi_N(1k)$ | | 491.52MHz | 1kHz offset from Carrier | -135.3 | -128.4 | dBc/Hz |
| $\Phi_N(10k)$ | | | 10kHz offset from Carrier | -145.8 | -140.5 | dBc/Hz |
| $\Phi_N(100k)$ | | | 100kHz offset from Carrier | -154.2 | -149.5 | dBc/Hz |
| $\Phi_N(1M)$ | | | 1MHz offset from Carrier | -157.2 | -155.4 | dBc/Hz |
| $\Phi_N(10M)$ | | | 10MHz offset from Carrier and Noise Floor | -157.6 | -156.3 | dBc/Hz |
| $\Phi_N(1k)$ | | 983.04MHz | 1kHz offset from Carrier | -131.3 | -125.7 | dBc/Hz |
| $\Phi_N(10k)$ | | | 10kHz offset from Carrier | -141.2 | -138.5 | dBc/Hz |
| $\Phi_N(100k)$ | | | 100kHz offset from Carrier | -149.6 | -146.5 | dBc/Hz |
| $\Phi_N(1M)$ | | | 1MHz offset from Carrier | -154.5 | -152.2 | dBc/Hz |
| $\Phi_N(10M)$ | | | 10MHz offset from Carrier and Noise Floor | -155.3 | -152.5 | dBc/Hz |
| $j_{jit}(\emptyset)$ | Clock RMS Phase Jitter (Random) | | Integration Range: 1kHz - 61.44MHz | | 100 | fs |
| | | | Integration Range: 12kHz - 20MHz | | 100 | fs |

[a] Phase noise and spurious specifications apply for device operation with QREF_r outputs inactive (no SYSREF pulses generated). Phase noise specifications are applicable for all outputs active, Nx not equal.

[b] Electrical parameters are guaranteed over the specified ambient operating temperature range, which is established when the device is mounted in a test socket with maintained transverse airflow greater than 500 lfm. The device will meet specifications after thermal equilibrium has been reached under these conditions.

[c] Measured results at the max. temperature of 85°C using an input source with a phase noise characteristics of:

- 245.76MHz: -143.7dBc/Hz (1kHz offset), -152.5dBc/Hz (10kHz), -160.8dBc/Hz (100kHz), -172.6dBc/Hz (1MHz), -179.5dBc/Hz (10MHz).
- 491.52MHz: -137.7dBc/Hz (1kHz offset), -147.4dBc/Hz (10kHz), -156.1dBc/Hz (100kHz), -167.6dBc/Hz (1MHz), -170.1dBc/Hz (10MHz).
- 983.04MHz: -132.5dBc/Hz (1kHz offset), -141.4dBc/Hz (10kHz), -149.9dBc/Hz (100kHz), -161.4dBc/Hz (1MHz), -164.2dBc/Hz (10MHz).

[d] De-rating factor applied to the characterized data at 85°C to account for worst-case process variation.

Figure 9. Additive Clock Phase Noise Characteristics (Measured), $f_{CLK} = 245.76\text{MHz}$

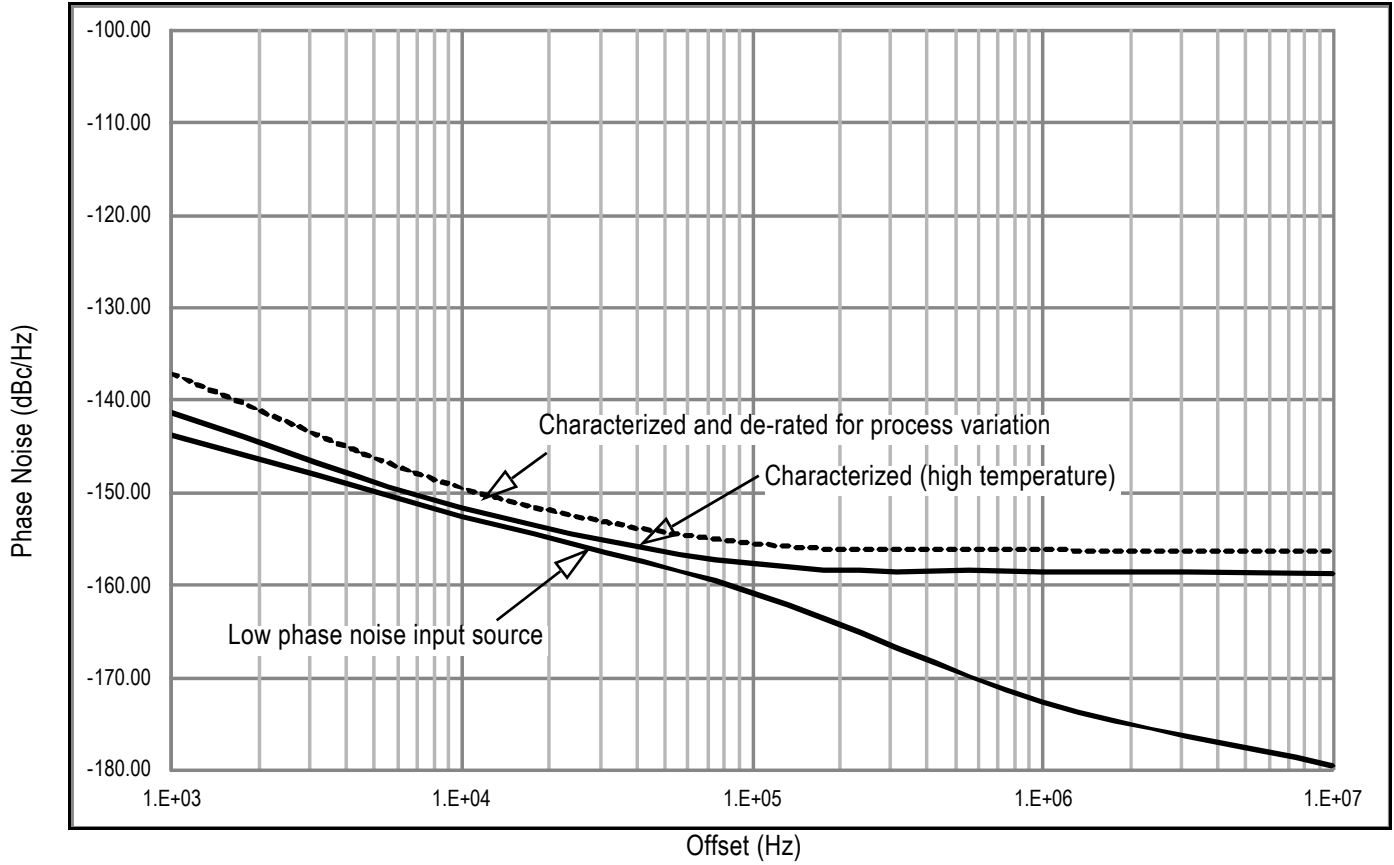


Figure 10. Additive Clock Phase Noise Characteristics (Measured), $f_{CLK} = 491.52\text{MHz}$

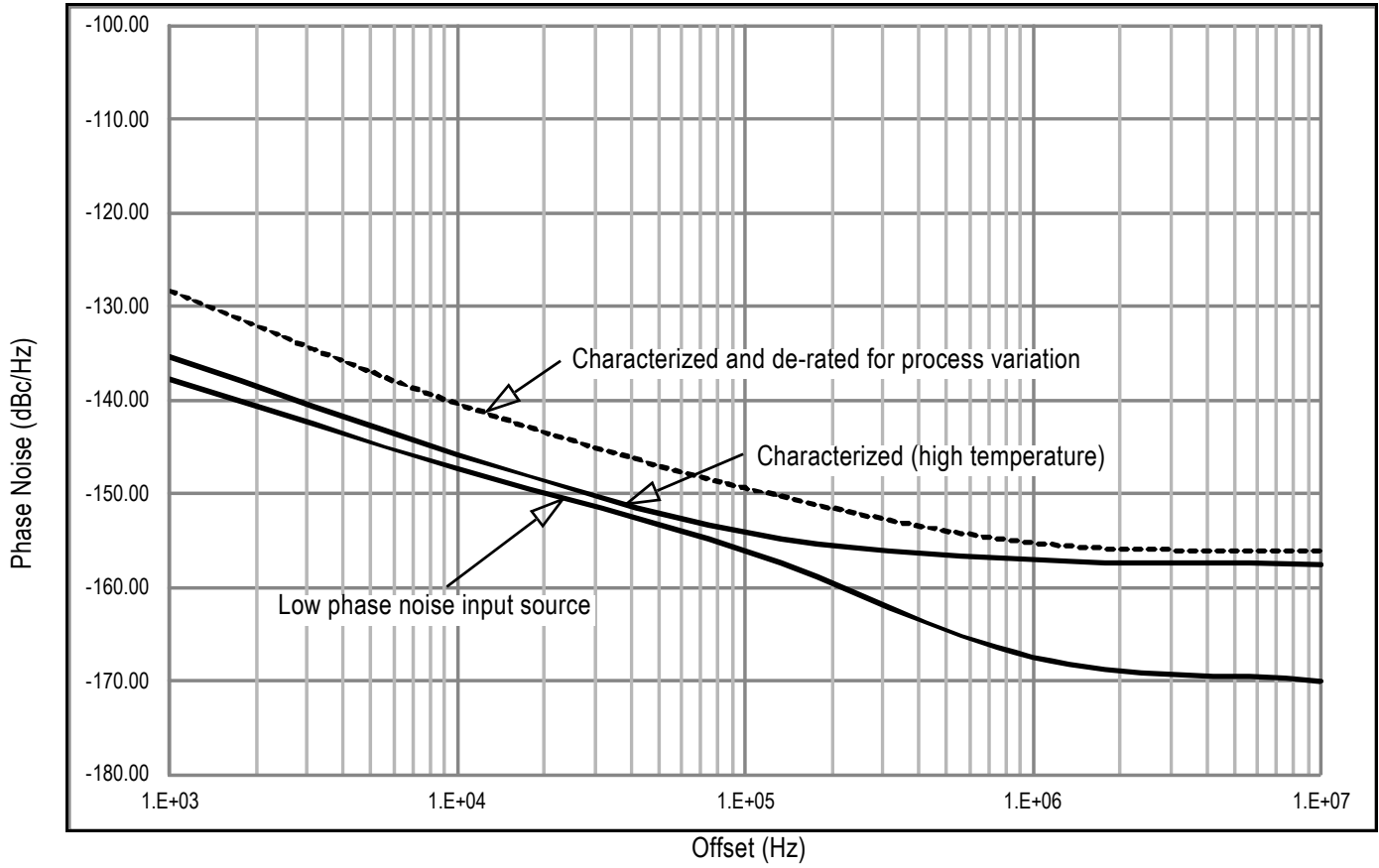
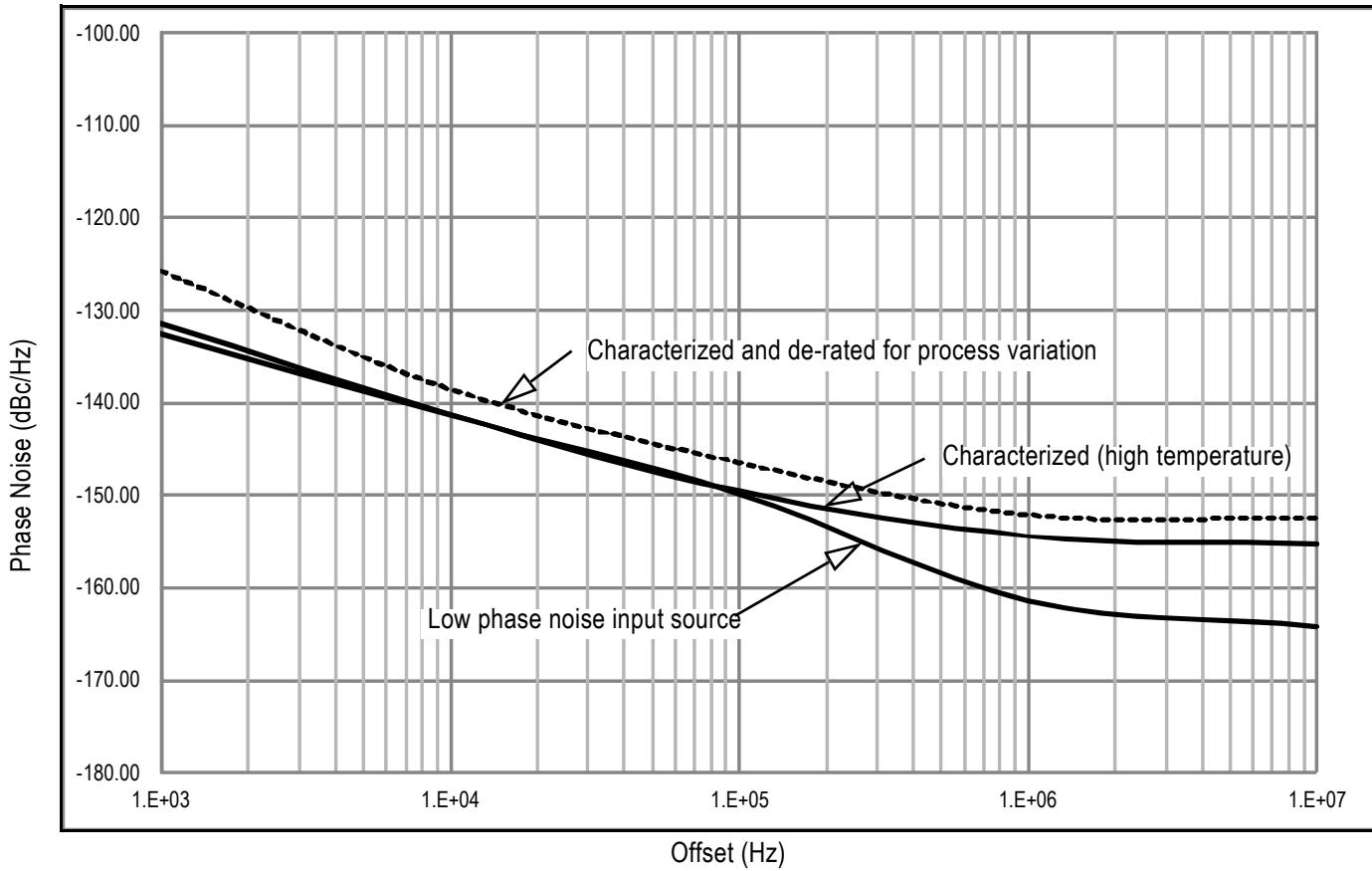


Figure 11. Additive Clock Phase Noise Characteristics (Measured), $f_{CLK} = 983.04\text{MHz}$



| Symbol | Parameter | | Test Conditions | Typical | Unit |
|----------------|-----------------------|-------------------------|----------------------------|---------|--------|
| $\Phi_N(1k)$ | QREF_r Phase Noise | 15.36MHz ^[a] | 1kHz offset from Carrier | -146 | dBc/Hz |
| $\Phi_N(10k)$ | | | 10kHz offset from Carrier | -152.5 | dBc/Hz |
| $\Phi_N(100k)$ | | | 100kHz offset from Carrier | -156 | dBc/Hz |
| $\Phi_N(1M)$ | | | 1MHz offset from Carrier | -156 | dBc/Hz |
| $\Phi_N(1k)$ | | 30.72MHz | 1kHz offset from Carrier | -147.5 | dBc/Hz |
| $\Phi_N(10k)$ | | | 10kHz offset from Carrier | -153.5 | dBc/Hz |
| $\Phi_N(100k)$ | | | 100kHz offset from Carrier | -155.5 | dBc/Hz |
| $\Phi_N(1M)$ | | | 1MHz offset from Carrier | -155.5 | dBc/Hz |

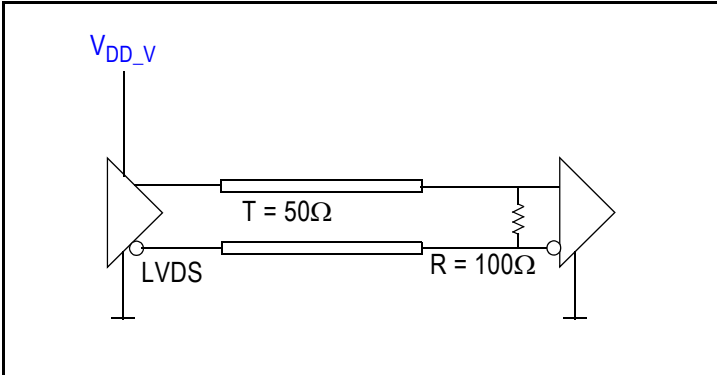
[a] Measured results with DLC[1:0] = 00 and $\Phi_{REF_r} = 3$.

Application Information

Termination for QCLK_y, QREF_r LVDS Outputs (STYLE = 0)

Figure 12 shows an example termination for the QCLK_y, QREF_r LVDS outputs. In this example, the characteristic transmission line impedance is 50Ω . The termination resistor R (100Ω) is matched to the line impedance. The termination resistor must be placed at the line end. No external termination resistor is required if R is an internal part of the receiver circuit. The LVDS termination in Figure 12 is applicable for any output amplitude setting specified in Table 7.

Figure 12. LVDS (STYLE = 0) Output Termination



AC Termination for QCLK_y, QREF_r LVDS Outputs (STYLE = 0)

Figure 13 and Figure 14 show example AC terminations for the QCLK_y, QREF_r LVDS outputs. In the examples, the characteristic transmission line impedance is 50Ω . In Figure 13, the termination resistor R (100Ω) is placed at the line end. No external termination resistor is required if R is an internal part of the receiver circuit, which is shown in Figure 14. The LVDS terminations in both Figure 13 and Figure 14 are applicable for any output amplitude setting specified in Table 7. The receiver input should be re-biased according to its common mode range specifications.

Figure 13. LVDS (STYLE = 0) AC Output Termination

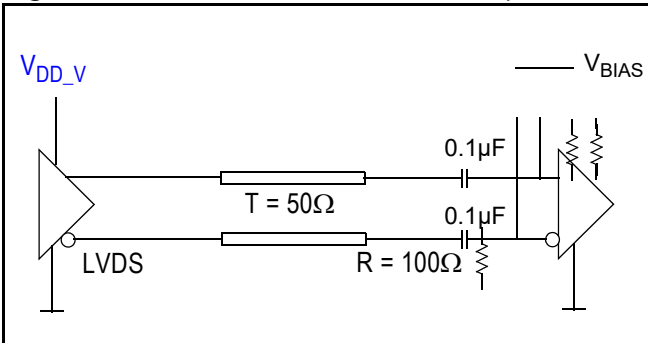
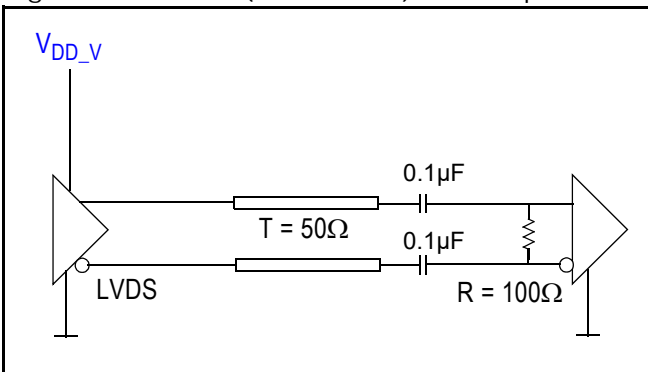


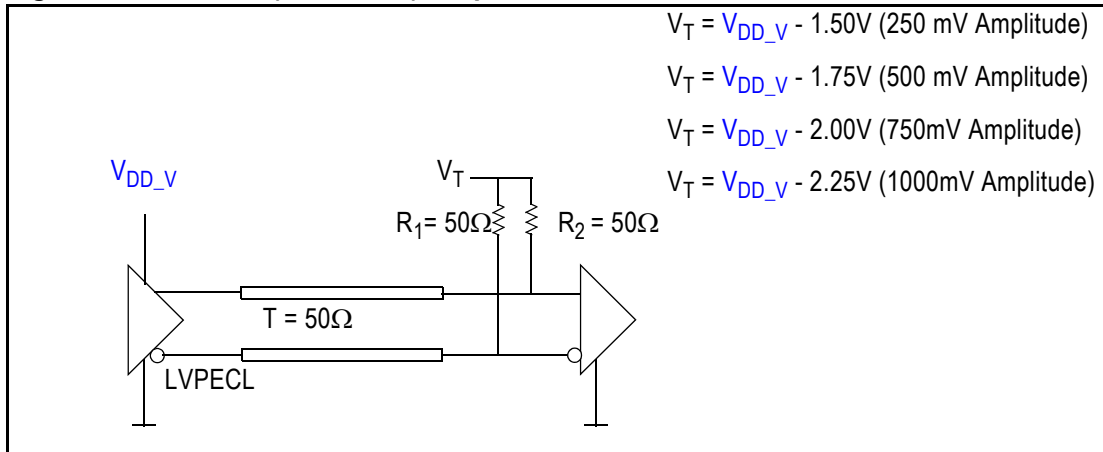
Figure 14. LVDS (STYLE = 0) AC Output Termination



Termination for QCLK_y, QREF_r LVPECL Outputs (STYLE = 1)

Figure 15 shows an example termination for the QCLK_y, QREF_r LVPECL outputs. In this example, the characteristic transmission line impedance is 50Ω. The R1 (50Ω) and R2 (50Ω) resistors are matched load terminations. The output is terminated to the termination voltage V_T . The V_T must be set according to the output amplitude setting defined in Table 7. The termination resistors must be placed close at the line end.

Figure 15. LVPECL (STYLE = 1) Output Termination

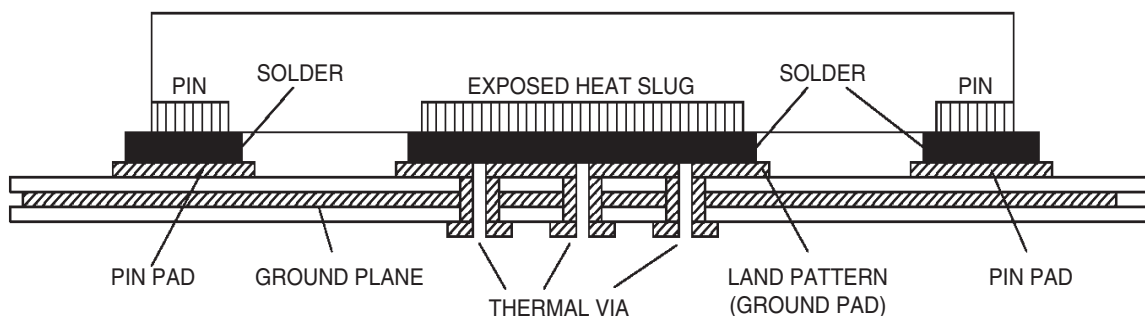


Package Exposed Pad Thermal Release Path

In order to maximize both the removal of heat from the package and the electrical performance, a land pattern must be incorporated on the Printed Circuit Board (PCB) within the footprint of the package corresponding to the exposed metal pad or exposed heat slug on the package, as shown in Figure 16. The solderable area on the PCB, as defined by the solder mask, should be at least the same size/shape as the exposed pad/slug area on the package to maximize the thermal/electrical performance. Sufficient clearance should be designed on the PCB between the outer edges of the land pattern and the inner edges of pad pattern for the leads to avoid any shorts.

While the land pattern on the PCB provides a means of heat transfer and electrical grounding from the package to the board through a solder joint, thermal vias are necessary to effectively conduct from the surface of the PCB to the ground plane(s). The land pattern must be connected to ground through these vias. The vias act as “heat pipes”. The number of vias (i.e. “heat pipes”) are application specific and dependent upon the package power dissipation as well as electrical conductivity requirements. Thus, thermal and electrical analysis and/or testing are recommended to determine the minimum number needed. Maximum thermal and electrical performance is achieved when an array of vias is incorporated in the land pattern. It is recommended to use as many vias connected to ground as possible. It is also recommended that the via diameter should be 12 to 13mils (0.30 to 0.33mm) with 1oz copper via barrel plating. This is desirable to avoid any solder wicking inside the via during the soldering process which may result in voids in solder between the exposed pad/slug and the thermal land. Precautions should be taken to eliminate any solder voids between the exposed heat slug and the land pattern. Note: These recommendations are to be used as a guideline only. For further information, refer to the Application Note on the Surface Mount Assembly of Amkor’s Thermally/Electrically Enhance Lead-frame Base Package, Amkor Technology.

Figure 16. Assembly for Exposed Pad Thermal Release Path - Side View (drawing not to scale)



Thermal Characteristics

Table 33. Thermal Resistance for 64-VFQFPN Package^[a]

| Symbol | Thermal Parameter | Condition | Value | Unit |
|---------------|---------------------|----------------|-------|------|
| Θ_{JA} | Junction to ambient | 0 m/s air flow | 22.76 | °C/W |
| | | 1 m/s air flow | 19.25 | °C/W |
| | | 2 m/s air flow | 17.70 | °C/W |
| | | 3 m/s air flow | 16.87 | °C/W |
| | | 4 m/s air flow | 16.37 | °C/W |
| | | 5 m/s air flow | 16.03 | °C/W |
| Θ_{JC} | Junction to case | | 14.33 | °C/W |
| Θ_{JB} | Junction to board | | 1.1 | °C/W |

[a] Standard JEDEC 2S2P multilayer PCB.

Case Temperature Considerations

This device supports applications in a natural convection environment which does not have any thermal conductivity through ambient air. The printed circuit board (PCB) is typically in a sealed enclosure without any natural or forced air flow and is kept at or below a specific temperature. The device package design incorporates an exposed pad (ePad) with enhanced thermal parameters which is soldered to the PCB where most of the heat escapes from the bottom exposed pad. For this type of application, it is recommended to use the junction-to-board thermal characterization parameter Ψ_{JB} (Psi-JB) to calculate the junction temperature (T_J) and ensure it does not exceed the maximum allowed operating junction temperature in the Absolute Maximum Rating table.

The junction-to-board thermal characterization parameter, Ψ_{JB} , is calculated using the following equation:

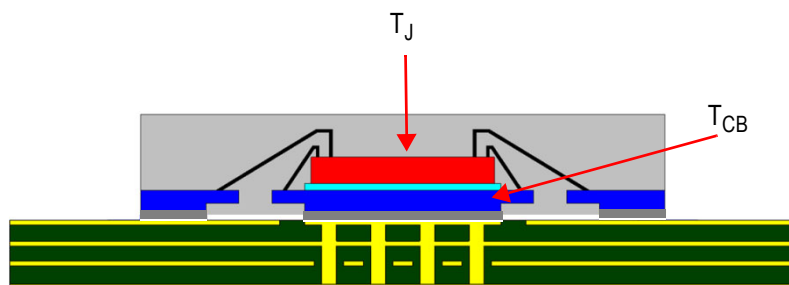
$T_J = T_{CB} + \Psi_{JB} \times P_D$, where:

T_J = Junction temperature at steady state condition in (°C)

T_{CB} = Case temperature (Bottom) at steady state condition in (°C)

Ψ_{JB} = Thermal characterization parameter to report the difference between junction temperature and the temperature of the board measured at the top surface of the board

P_D = power dissipation (W) in desired operating configuration



The ePad provides a low thermal resistance path for heat transfer to the PCB and represents the key pathway to transfer heat away from the IC to the PCB. It's critical that the connection of the exposed pad to the PCB is properly constructed to maintain the desired IC case temperature (T_{CB}). A good connection ensures that temperature at the exposed pad (T_{CB}) and the board temperature (T_B) are relatively the same. An improper connection can lead to increased junction temperature, increased power consumption and decreased electrical performance. In addition, there could be long-term reliability issues and increased failure rate.

Example Calculation for Junction Temperature (T_J): $T_J = T_{CB} + \Psi_{JB} \times P_D$

Table 34. Thermal Resistance for 64-VFQFPN Package^[a]

| Package type | 64-VFQFPN |
|----------------|------------------------|
| Body size (mm) | 9 x 9 x 0.85 mm |
| ePad size (mm) | 6.00mm x 6.00mm |
| Thermal Via | 8x8 Matrix |
| Ψ_{JB} | 1.1 C/W |
| T_{CB} | 85°C |
| P_D | 1.766 W ^[b] |

[a] Standard JEDEC 2S2P multilayer PCB.

[b] See Table 24, test case 6.

For the variables above, the junction temperature is $T_J = T_{CB} + \Psi_{JB} \times P_D = 85^\circ\text{C} + 1.1^\circ\text{C/W} \times 1.766\text{W} = 86.9^\circ\text{C}$. Since this operating junction temperature is below the maximum operating junction temperature of 125°C , there are no long term reliability concerns. In addition, since the junction temperature at which the device was characterized using forced convection is 87.6°C , this device can function without the degradation of the specified AC or DC parameters.

Package Outline Drawings

The package outline drawings are appended at the end of this document and are accessible from the link below. The package information is the most current data available.

www.idt.com/document/psc/64-vfqfpn-package-outline-drawing-90-x-90-x-09-mm-body-05mm-pitch-epad-60-x-60-mm-nlg64p5

Ordering Information

| Orderable Part Number | Package | MSL Rating | Shipping Packaging | Temperature |
|-----------------------|--------------------|------------|--------------------|----------------|
| 8V79S680NLGI | RoHS 6/6 64-VFQFPN | 3 | Tray | -40°C to +85°C |
| 8V79S680NLGI8 | | 3 | Tape and Reel | |

Marking Diagram

| |
|--|
| <p>IDT 8V79S680NLGI #YYWW\$</p> <p>● LOT C00</p> |
|--|

Glossary

| Abbreviation | Description |
|--------------|--|
| Index x | Denominates a channel, channel frequency divider and the associated configuration bits. Range: A, B, C, D. |
| Index y | Denominates a QCLK output and associated configuration bits. Range: A0, A1, A2, B0, B1, C0, C1, D. |
| Index r | Denominates a QREF output and associated configuration bits. Range: A0, A1, A2, B0, B1, C0, C1, D. |
| V_{DD_V} | Denominates voltage supply pins. Range: V_{DD_QCLKA} , $V_{DD_QREFA01}$, V_{DD_QREFA2} , V_{DD_QCLKB} , V_{DD_QREFB} , V_{DD_QCLKC} , V_{DD_QREFC} , V_{DD_QCLKD} , V_{DD_QREFD} , V_{DD_CLK} , V_{DD_REF} . |
| [...] | Index brackets describe a group associated with a logical function or a bank of outputs. |
| {...} | List of discrete values. |

Revision History

| Date | Description of Change |
|------------------|---|
| January 11, 2019 | <ul style="list-style-type: none"> ▪ Updated the Package Outline Drawings; however, no mechanical changes ▪ Completed other minor changes |
| July 26, 2017 | <ul style="list-style-type: none"> ▪ Updated the definition of nBIAS_r in Table 10 |
| June 22, 2017 | <ul style="list-style-type: none"> ▪ Updated the description of BIAS_TYPE[1] in Table 10 ▪ Updated the Package Drawings |
| August 4, 2016 | Initial release. |

IMPORTANT NOTICE AND DISCLAIMER

RENESAS ELECTRONICS CORPORATION AND ITS SUBSIDIARIES (“RENESAS”) PROVIDES TECHNICAL SPECIFICATIONS AND RELIABILITY DATA (INCLUDING DATASHEETS), DESIGN RESOURCES (INCLUDING REFERENCE DESIGNS), APPLICATION OR OTHER DESIGN ADVICE, WEB TOOLS, SAFETY INFORMATION, AND OTHER RESOURCES “AS IS” AND WITH ALL FAULTS, AND DISCLAIMS ALL WARRANTIES, EXPRESS OR IMPLIED, INCLUDING, WITHOUT LIMITATION, ANY IMPLIED WARRANTIES OF MERCHANTABILITY, FITNESS FOR A PARTICULAR PURPOSE, OR NON-INFRINGEMENT OF THIRD-PARTY INTELLECTUAL PROPERTY RIGHTS.

These resources are intended for developers who are designing with Renesas products. You are solely responsible for (1) selecting the appropriate products for your application, (2) designing, validating, and testing your application, and (3) ensuring your application meets applicable standards, and any other safety, security, or other requirements. These resources are subject to change without notice. Renesas grants you permission to use these resources only to develop an application that uses Renesas products. Other reproduction or use of these resources is strictly prohibited. No license is granted to any other Renesas intellectual property or to any third-party intellectual property. Renesas disclaims responsibility for, and you will fully indemnify Renesas and its representatives against, any claims, damages, costs, losses, or liabilities arising from your use of these resources. Renesas' products are provided only subject to Renesas' Terms and Conditions of Sale or other applicable terms agreed to in writing. No use of any Renesas resources expands or otherwise alters any applicable warranties or warranty disclaimers for these products.

(Disclaimer Rev.1.01)

Corporate Headquarters

TOYOSU FORESIA, 3-2-24 Toyosu,
Koto-ku, Tokyo 135-0061, Japan
www.renesas.com

Trademarks

Renesas and the Renesas logo are trademarks of Renesas Electronics Corporation. All trademarks and registered trademarks are the property of their respective owners.

Contact Information

For further information on a product, technology, the most up-to-date version of a document, or your nearest sales office, please visit www.renesas.com/contact-us/.