

ADC1010S series

Single 10-bit ADC; 65 Msps, 80 Msps, 105 Msps or 125 Msps;
CMOS or LVDS DDR digital outputs

Rev. 03 — 2 July 2012

Product data sheet

1. General description

The ADC1010S is a single-channel 10-bit Analog-to-Digital Converter (ADC) optimized for high dynamic performance and low power consumption at sample rates up to 125 Msps. Pipelined architecture and output error correction ensure the ADC1010S is accurate enough to guarantee zero missing codes over the entire operating range. Supplied from a single 3 V source, it can handle output logic levels from 1.8 V to 3.3 V in CMOS mode, because of a separate digital output supply. It supports the Low Voltage Differential Signaling (LVDS) Double Data Rate (DDR) output standard. An integrated Serial Peripheral Interface (SPI) allows the user to easily configure the ADC. The device also includes a programmable full-scale SPI to allow a flexible input voltage range from 1 V to 2 V (peak-to-peak). With excellent dynamic performance from the baseband to input frequencies of 170 MHz or more, the ADC1010S is ideal for use in communications, imaging and medical applications.

2. Features and benefits

- SNR, 62 dBFS; SFDR, 86 dBc
- Sample rate up to 125 Msps
- 10-bit pipelined ADC core
- Clock input divided by 2 for less jitter
- Single 3 V supply
- Flexible input voltage range: 1 V (p-p) to 2 V (p-p)
- CMOS or LVDS DDR digital outputs
- Pin compatible with the ADC1410S series and the ADC1210S series
- Input bandwidth, 600 MHz
- Power dissipation, 430 mW at 80 Msps
- Serial Peripheral Interface (SPI)
- Duty cycle stabilizer
- Fast Out-of-Range (OTR) detection
- Offset binary, two's complement, gray code
- Power-down and Sleep modes
- HVQFN40 package

3. Applications

- Wireless and wired broadband communications
- Spectral analysis
- Ultrasound equipment
- Portable instrumentation
- Imaging systems
- Software defined radio



4. Ordering information

Table 1. Ordering information

| Type number | f _s (Msps) | Package | | Version |
|------------------|-----------------------|---------|--|----------|
| | | Name | Description | |
| ADC1010S125HN-C1 | 125 | HVQFN40 | plastic thermal enhanced very thin quad flat package; no leads; 40 terminals; body 6 × 6 × 0.85 mm | SOT618-1 |
| ADC1010S105HN-C1 | 105 | HVQFN40 | plastic thermal enhanced very thin quad flat package; no leads; 40 terminals; body 6 × 6 × 0.85 mm | SOT618-1 |
| ADC1010S080HN-C1 | 80 | HVQFN40 | plastic thermal enhanced very thin quad flat package; no leads; 40 terminals; body 6 × 6 × 0.85 mm | SOT618-1 |
| ADC1010S065HN-C1 | 65 | HVQFN40 | plastic thermal enhanced very thin quad flat package; no leads; 40 terminals; body 6 × 6 × 0.85 mm | SOT618-1 |

5. Block diagram

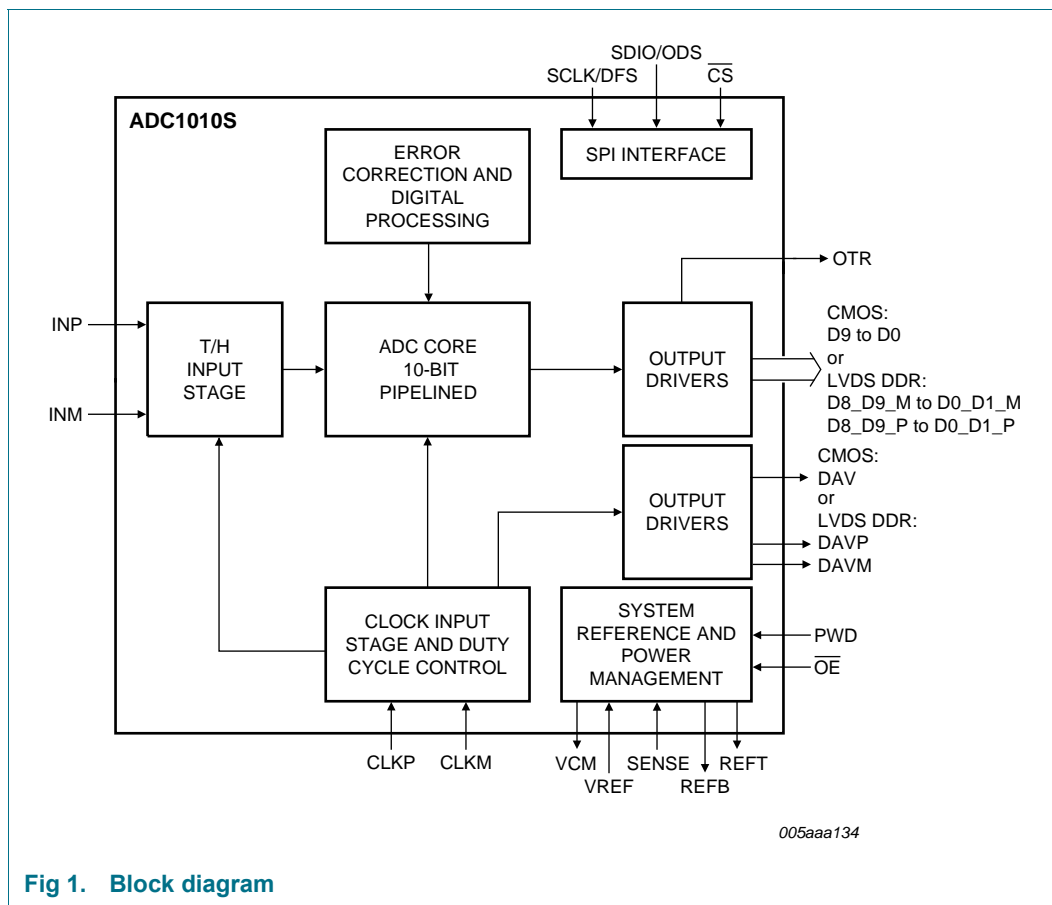


Fig 1. Block diagram

6. Pinning information

6.1 Pinning

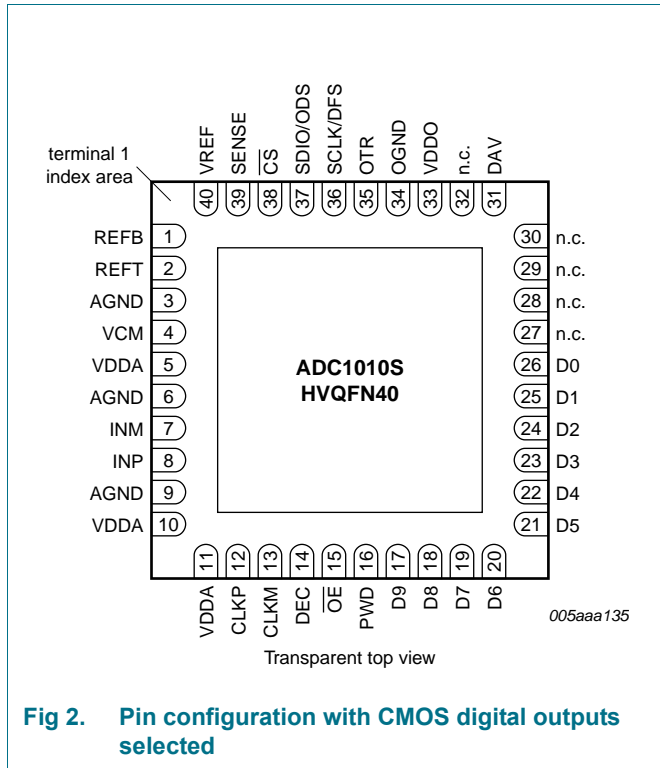


Fig 2. Pin configuration with CMOS digital outputs selected

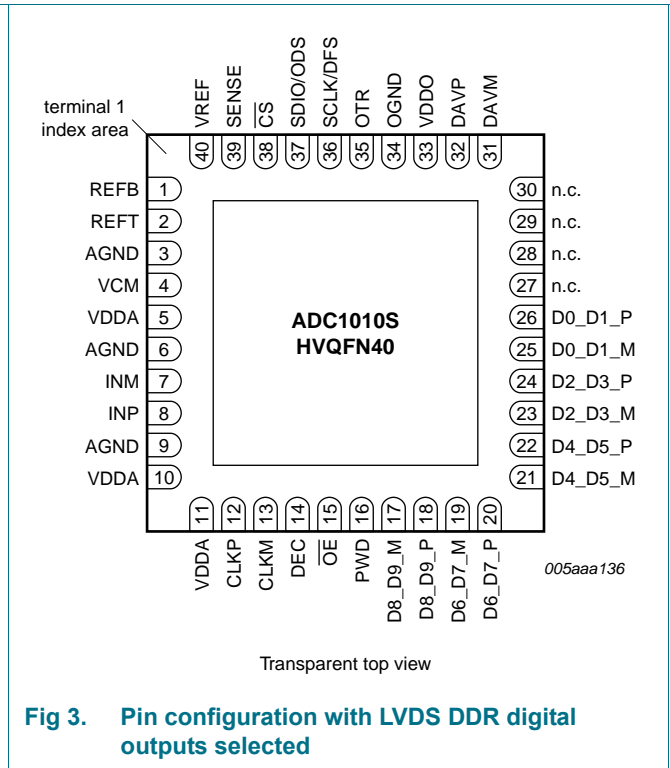


Fig 3. Pin configuration with LVDS DDR digital outputs selected

6.2 Pin description

Table 2. Pin description (CMOS digital outputs)

| Symbol | Pin | Type ^[1] | Description |
|--------|-----|---------------------|----------------------------|
| REFB | 1 | O | bottom reference |
| REFT | 2 | O | top reference |
| AGND | 3 | G | analog ground |
| VCM | 4 | O | common-mode output voltage |
| VDDA | 5 | P | analog power supply |
| AGND | 6 | G | analog ground |
| INM | 7 | I | complementary analog input |
| INP | 8 | I | analog input |
| AGND | 9 | G | analog ground |
| VDDA | 10 | P | analog power supply |
| VDDA | 11 | P | analog power supply |
| CLKP | 12 | I | clock input |
| CLKM | 13 | I | complementary clock input |
| DEC | 14 | O | regulator decoupling node |
| OE | 15 | I | output enable, active LOW |
| PWD | 16 | I | power down, active HIGH |

Table 2. Pin description (CMOS digital outputs) ...continued

| Symbol | Pin | Type ^[1] | Description |
|------------------------|-----|---------------------|---|
| D9 | 17 | O | data output bit 9 (Most Significant Bit (MSB)) |
| D8 | 18 | O | data output bit 8 |
| D7 | 19 | O | data output bit 7 |
| D6 | 20 | O | data output bit 6 |
| D5 | 21 | O | data output bit 5 |
| D4 | 22 | O | data output bit 4 |
| D3 | 23 | O | data output bit 3 |
| D2 | 24 | O | data output bit 2 |
| D1 | 25 | O | data output bit 1 |
| D0 | 26 | O | data output bit 0 (Least Significant Bit (LSB)) |
| n.c. | 27 | - | not connected |
| n.c. | 28 | - | not connected |
| n.c. | 29 | - | not connected |
| n.c. | 30 | - | not connected |
| DAV | 31 | O | data valid output clock |
| n.c. | 32 | - | not connected |
| VDDO | 33 | P | output power supply |
| OGND | 34 | G | output ground |
| OTR | 35 | O | out of range |
| SCLK/DFS | 36 | I | SPI clock data format select |
| SDIO/ODS | 37 | I/O | SPI data IO output data standard |
| $\overline{\text{CS}}$ | 38 | I | SPI chip select |
| SENSE | 39 | I | reference programming pin |
| VREF | 40 | I/O | voltage reference input/output |

[1] P: power supply; G: ground; I: input; O: output; I/O: input/output.

Table 3. Pin description (LVDS DDR) digital outputs)

| Symbol | Pin ^[1] | Type ^[2] | Description |
|---------|--------------------|---------------------|--|
| D8_D9_M | 17 | O | differential output data D8 and D9 multiplexed, complement |
| D8_D9_P | 18 | O | differential output data D8 and D9 multiplexed, true |
| D6_D7_M | 19 | O | differential output data D6 and D7 multiplexed, complement |
| D6_D7_P | 20 | O | differential output data D6 and D7 multiplexed, true |
| D4_D5_M | 21 | O | differential output data D4 and D5 multiplexed, complement |
| D4_D5_P | 22 | O | differential output data D4 and D5 multiplexed, true |
| D2_D3_M | 23 | O | differential output data D2 and D3 multiplexed, complement |
| D2_D3_P | 24 | O | differential output data D2 and D3 multiplexed, true |
| D0_D1_M | 25 | O | differential output data D0 and D1 multiplexed, complement |
| D0_D1_P | 26 | O | differential output data D0 and D1 multiplexed, true |
| n.c. | 27 | - | not connected |
| n.c. | 28 | - | not connected |
| n.c. | 29 | - | not connected |

Table 3. Pin description (LVDS DDR) digital outputs) ...continued

| Symbol | Pin ^[1] | Type ^[2] | Description |
|--------|--------------------|---------------------|-------------------------------------|
| n.c. | 30 | - | not connected |
| DAVM | 31 | O | data valid output clock, complement |
| DAVP | 32 | O | data valid output clock, true |

[1] Pins 1 to 16 and pins 33 to 40 are the same for both CMOS and LVDS DDR outputs (see Table 2).

[2] P: power supply; G: ground; I: input; O: output; I/O: input/output.

7. Limiting values

Table 4. Limiting values

In accordance with the Absolute Maximum Rating System (IEC 60134).

| Symbol | Parameter | Conditions | Min | Max | Unit |
|-----------|-----------------------|---|------|------|------|
| V_O | output voltage | pins D9 to D0 or pins D8_D9_P to D0_D1_P and D8_D9_M to D0_D1_M | -0.4 | +3.9 | V |
| V_{DDA} | analog supply voltage | | -0.4 | +3.9 | V |
| V_{DDO} | output supply voltage | | -0.4 | +3.9 | V |
| T_{stg} | storage temperature | | -55 | +125 | °C |
| T_{amb} | ambient temperature | | -40 | +85 | °C |
| T_j | junction temperature | | - | 125 | °C |

8. Thermal characteristics

Table 5. Thermal characteristics

| Symbol | Parameter | Conditions | Typ | Unit |
|---------------|---|------------|---------------------|------|
| $R_{th(j-a)}$ | thermal resistance from junction to ambient | | ^[1] 22.5 | K/W |
| $R_{th(j-c)}$ | thermal resistance from junction to case | | ^[1] 11.7 | K/W |

[1] Value for six layers board in still air with a minimum of 25 thermal vias.

9. Static characteristics

Table 6. Static characteristics^[1]

| Symbol | Parameter | Conditions | Min | Typ | Max | Unit |
|------------------|-----------------------|--|------|-----|-----|------|
| Supplies | | | | | | |
| V _{DDA} | analog supply voltage | | 2.85 | 3.0 | 3.4 | V |
| V _{DDO} | output supply voltage | CMOS mode | 1.65 | 1.8 | 3.6 | V |
| | | LVDS DDR mode | 2.85 | 3.0 | 3.6 | V |
| I _{DDA} | analog supply current | f _{clk} = 125 Msps; f _i = 70 MHz | - | 210 | - | mA |
| I _{DDO} | output supply current | CMOS mode; f _{clk} = 125 Msps; f _i = 70 MHz | - | 10 | - | mA |
| | | LVDS DDR mode: f _{clk} = 125 Msps; f _i = 70 MHz | - | 35 | - | mA |
| P | power dissipation | ADC1010S125; analog supply only | - | 630 | - | mW |
| | | ADC1010S105; analog supply only | - | 550 | - | mW |
| | | ADC1010S080; analog supply only | - | 430 | - | mW |
| | | ADC1010S065; analog supply only | - | 380 | - | mW |
| | | Power-down mode | - | 2 | - | mW |
| | | Sleep mode | - | 40 | - | mW |

Clock inputs: pins CLKP and CLKM

Low-Voltage Positive Emitter-Coupled Logic (LVPECL)

| | | | | | | |
|------------------------|----------------------------------|--------------|---|-----|---|---|
| V _{i(clk)dif} | differential clock input voltage | peak-to-peak | - | 1.6 | - | V |
|------------------------|----------------------------------|--------------|---|-----|---|---|

SINE wave

| | | | | | | |
|------------------------|----------------------------------|------|---|------|---|---|
| V _{i(clk)dif} | differential clock input voltage | peak | - | ±3.0 | - | V |
|------------------------|----------------------------------|------|---|------|---|---|

Low Voltage Complementary Metal Oxide Semiconductor (LVCMOS)

| | | | | | | |
|-----------------|--------------------------|--|---------------------|---|---------------------|---|
| V _{IL} | LOW-level input voltage | | - | - | 0.3V _{DDA} | V |
| V _{IH} | HIGH-level input voltage | | 0.7V _{DDA} | - | - | V |

Logic inputs: pins PWD and OE

| | | | | | | |
|-----------------|--------------------------|--|---|----|------------------|----|
| V _{IL} | LOW-level input voltage | | 0 | - | 0.8 | V |
| V _{IH} | HIGH-level input voltage | | 2 | - | V _{DDA} | V |
| I _{IL} | LOW-level input current | | - | 55 | - | μA |
| I _{IH} | HIGH-level input current | | - | 65 | - | μA |

Serial peripheral interface: pins CS, SDIO/ODS, SCLK/DFS

| | | | | | | |
|-----------------|--------------------------|--|---------------------|---|---------------------|----|
| V _{IL} | LOW-level input voltage | | 0 | - | 0.3V _{DDA} | V |
| V _{IH} | HIGH-level input voltage | | 0.7V _{DDA} | - | V _{DDA} | V |
| I _{IL} | LOW-level input current | | -10 | - | +10 | μA |
| I _{IH} | HIGH-level input current | | -50 | - | +50 | μA |
| C _i | input capacitance | | - | 4 | - | pF |

Table 6. Static characteristics^[1] ...continued

| Symbol | Parameter | Conditions | Min | Typ | Max | Unit |
|---|--------------------------------|---|--------------|---------------|--------------|---------------|
| Digital outputs, CMOS mode: pins D9 to D0, OTR, DAV | | | | | | |
| Output levels, $V_{DDO} = 3\text{ V}$ | | | | | | |
| V_{OL} | LOW-level output voltage | | OGND | - | $0.2V_{DDO}$ | V |
| V_{OH} | HIGH-level output voltage | | $0.8V_{DDO}$ | - | V_{DDO} | V |
| C_O | output capacitance | high impedance; $\overline{OE} = \text{HIGH}$ | - | 3 | - | pF |
| Output levels, $V_{DDO} = 1.8\text{ V}$ | | | | | | |
| V_{OL} | LOW-level output voltage | | OGND | - | $0.2V_{DDO}$ | V |
| V_{OH} | HIGH-level output voltage | | $0.8V_{DDO}$ | - | V_{DDO} | V |
| Digital outputs, LVDS mode: pins D8_D9_P to D0_D1_P, D8_D9_M to D0_D1_M, DAVP and DAVM | | | | | | |
| Output levels, $V_{DDO} = 3\text{ V}$ only, $R_L = 100\ \Omega$ | | | | | | |
| $V_{O(\text{offset})}$ | output offset voltage | output buffer current set to 3.5 mA | - | 1.2 | - | V |
| $V_{O(\text{dif})}$ | differential output voltage | output buffer current set to 3.5 mA | - | 350 | - | mV |
| C_O | output capacitance | | - | 3 | - | pF |
| Analog inputs: pins INP and INM | | | | | | |
| I_I | input current | | -5 | - | +5 | μA |
| $R_{i(\text{dif})}$ | differential input resistance | | - | 19.8 | - | k Ω |
| $C_{i(\text{dif})}$ | differential input capacitance | | - | 2.8 | - | pF |
| $V_{I(\text{cm})}$ | common-mode input voltage | $V_{INP} = V_{INM}$ | 1.1 | 1.5 | 2.5 | V |
| B_i | input bandwidth | | - | 650 | - | MHz |
| $V_{I(\text{dif})}$ | differential input voltage | peak-to-peak | 1 | - | 2 | V |
| Common mode output voltage: pin VCM | | | | | | |
| $V_{O(\text{cm})}$ | common-mode output voltage | | - | $V_{DDA} / 2$ | - | V |
| $I_{O(\text{cm})}$ | common-mode output current | | - | 4 | - | mA |
| I/O reference voltage: pin VREF | | | | | | |
| V_{VREF} | voltage on pin VREF | output | 0.5 | - | 1 | V |
| | | input | 0.5 | - | 1 | V |
| Accuracy | | | | | | |
| INL | integral non-linearity | | - | ± 0.07 | - | LSB |
| DNL | differential non-linearity | guaranteed no missing codes | -0.06 | ± 0.04 | +0.06 | LSB |
| E_{offset} | offset error | | - | ± 2 | - | mV |
| E_G | gain error | full-scale | | ± 0.5 | | % |
| Supply | | | | | | |
| PSRR | power supply rejection ratio | 200 mV (p-p) on V_{DDA} ; $f_i = \text{DC}$ | - | -54 | - | dB |

[1] Typical values measured at $V_{DDA} = 3\text{ V}$, $V_{DDO} = 1.8\text{ V}$, $T_{\text{amb}} = 25\text{ }^\circ\text{C}$ and $C_L = 5\text{ pF}$; minimum and maximum values are across the full temperature range $T_{\text{amb}} = -40\text{ }^\circ\text{C}$ to $+85\text{ }^\circ\text{C}$ at $V_{DDA} = 3\text{ V}$, $V_{DDO} = 1.8\text{ V}$; $V_{INP} - V_{INM} = -1\text{ dBFS}$; internal reference mode; applied to CMOS and LVDS interface; unless otherwise specified.

10. Dynamic characteristics

10.1 Dynamic characteristics

Table 7. Dynamic characteristics^[1]

| Symbol | Parameter | Conditions | ADC1010S065 | | | ADC1010S080 | | | ADC1010S105 | | | ADC1010S125 | | | Unit |
|---------------------------------|-----------------------------|-----------------|-------------|------|-----|-------------|------|-----|-------------|------|-----|-------------|------|-----|------|
| | | | Min | Typ | Max | Min | Typ | Max | Min | Typ | Max | Min | Typ | Max | |
| Analog signal processing | | | | | | | | | | | | | | | |
| α_{2H} | second harmonic level | $f_i = 3$ MHz | - | 87 | - | - | 87 | - | - | 89 | - | - | 91 | - | dBc |
| | | $f_i = 30$ MHz | - | 86 | - | - | 86 | - | - | 89 | - | - | 90 | - | dBc |
| | | $f_i = 70$ MHz | - | 85 | - | - | 85 | - | - | 87 | - | - | 88 | - | dBc |
| | | $f_i = 170$ MHz | - | 82 | - | - | 82 | - | - | 84 | - | - | 86 | - | dBc |
| α_{3H} | third harmonic level | $f_i = 3$ MHz | - | 86 | - | - | 86 | - | - | 88 | - | - | 90 | - | dBc |
| | | $f_i = 30$ MHz | - | 85 | - | - | 85 | - | - | 88 | - | - | 89 | - | dBc |
| | | $f_i = 70$ MHz | - | 84 | - | - | 84 | - | - | 86 | - | - | 87 | - | dBc |
| | | $f_i = 170$ MHz | - | 81 | - | - | 81 | - | - | 83 | - | - | 85 | - | dBc |
| THD | total harmonic distortion | $f_i = 3$ MHz | - | 83 | - | - | 83 | - | - | 85 | - | - | 87 | - | dBc |
| | | $f_i = 30$ MHz | - | 82 | - | - | 82 | - | - | 85 | - | - | 86 | - | dBc |
| | | $f_i = 70$ MHz | - | 81 | - | - | 81 | - | - | 83 | - | - | 84 | - | dBc |
| | | $f_i = 170$ MHz | - | 78 | - | - | 78 | - | - | 80 | - | - | 82 | - | dBc |
| ENOB | effective number of bits | $f_i = 3$ MHz | - | 9.9 | - | - | 9.9 | - | - | 9.9 | - | - | 9.9 | - | bits |
| | | $f_i = 30$ MHz | - | 9.9 | - | - | 9.9 | - | - | 9.9 | - | - | 9.9 | - | bits |
| | | $f_i = 70$ MHz | - | 9.9 | - | - | 9.9 | - | - | 9.9 | - | - | 9.9 | - | bits |
| | | $f_i = 170$ MHz | - | 9.9 | - | - | 9.9 | - | - | 9.9 | - | - | 9.9 | - | bits |
| SNR | signal-to-noise ratio | $f_i = 3$ MHz | - | 61.7 | - | - | 61.7 | - | - | 61.6 | - | - | 61.6 | - | dBFS |
| | | $f_i = 30$ MHz | - | 61.6 | - | - | 61.6 | - | - | 61.6 | - | - | 61.6 | - | dBFS |
| | | $f_i = 70$ MHz | - | 61.6 | - | - | 61.6 | - | - | 61.5 | - | - | 61.5 | - | dBFS |
| | | $f_i = 170$ MHz | - | 61.5 | - | - | 61.5 | - | - | 61.5 | - | - | 61.5 | - | dBFS |
| SFDR | spurious-free dynamic range | $f_i = 3$ MHz | - | 86 | - | - | 86 | - | - | 88 | - | - | 90 | - | dBc |
| | | $f_i = 30$ MHz | - | 85 | - | - | 85 | - | - | 88 | - | - | 89 | - | dBc |
| | | $f_i = 70$ MHz | - | 84 | - | - | 84 | - | - | 86 | - | - | 87 | - | dBc |
| | | $f_i = 170$ MHz | - | 81 | - | - | 81 | - | - | 83 | - | - | 85 | - | dBc |

Table 7. Dynamic characteristics^[1] ...continued

| Symbol | Parameter | Conditions | ADC1010S065 | | | ADC1010S080 | | | ADC1010S105 | | | ADC1010S125 | | | Unit |
|--------|----------------------------|-----------------|-------------|-----|-----|-------------|-----|-----|-------------|-----|-----|-------------|-----|-----|------|
| | | | Min | Typ | Max | Min | Typ | Max | Min | Typ | Max | Min | Typ | Max | |
| IMD | Intermodulation distortion | $f_i = 3$ MHz | - | 89 | - | - | 89 | - | - | 92 | - | - | 93 | - | dBc |
| | | $f_i = 30$ MHz | - | 88 | - | - | 88 | - | - | 92 | - | - | 92 | - | dBc |
| | | $f_i = 70$ MHz | - | 87 | - | - | 87 | - | - | 90 | - | - | 90 | - | dBc |
| | | $f_i = 170$ MHz | - | 84 | - | - | 85 | - | - | 87 | - | - | 88 | - | dBc |

[1] Typical values measured at $V_{DDA} = 3$ V, $V_{DDO} = 1.8$ V, $T_{amb} = 25$ °C and $C_L = 5$ pF; minimum and maximum values are across the full temperature range $T_{amb} = -40$ °C to $+85$ °C at $V_{DDA} = 3$ V, $V_{DDO} = 1.8$ V; $V_{INP} - V_{INM} = -1$ dBFS; internal reference mode; applied to CMOS and LVDS interface; unless otherwise specified.

10.2 Clock and digital output timing

Table 8. Clock input and digital output timing characteristics^[1]

| Symbol | Parameter | Conditions | ADC1010S065 | | | ADC1010S080 | | | ADC1010S105 | | | ADC1010S125 | | | Unit | |
|---|---------------------|------------------|-------------|------|------|-------------|------|------|-------------|------|------|-------------|------|------|--------------|----|
| | | | Min | Typ | Max | Min | Typ | Max | Min | Typ | Max | Min | Typ | Max | | |
| Clock timing input: pins CLKP and CLKM | | | | | | | | | | | | | | | | |
| f_{clk} | clock frequency | | 40 | - | 65 | 60 | - | 80 | 75 | - | 105 | 100 | - | 125 | MHz | |
| $t_{lat(data)}$ | data latency time | | - | 13.5 | - | - | 13.5 | - | - | 13.5 | - | - | 13.5 | - | clock cycles | |
| δ_{clk} | clock duty cycle | DCS_EN = logic 1 | 30 | 50 | 70 | 30 | 50 | 70 | 30 | 50 | 70 | 30 | 50 | 70 | % | |
| | | DCS_EN = logic 0 | 45 | 50 | 55 | 45 | 50 | 55 | 45 | 50 | 55 | 45 | 50 | 55 | % | |
| $t_{d(s)}$ | sampling delay time | | - | 0.8 | - | - | 0.8 | - | - | 0.8 | - | - | 0.8 | - | ns | |
| t_{wake} | wake-up time | | - | 76 | - | - | 76 | - | - | 76 | - | - | 76 | - | µs | |
| CMOS Mode timing output: pins D9 to D0 and DAV | | | | | | | | | | | | | | | | |
| t_{PD} | propagation delay | DATA | 13.6 | 14.9 | 16.4 | 11.9 | 12.9 | 14.4 | 8.0 | 10.8 | 12.4 | 8.2 | 9.7 | 11.3 | ns | |
| | | DAV | - | 4.2 | - | - | 3.6 | - | - | 3.3 | - | - | 3.4 | - | ns | |
| t_{su} | set-up time | | - | 12.5 | - | - | 9.8 | - | - | 6.8 | - | - | 5.6 | - | ns | |
| t_h | hold time | | - | 3.4 | - | - | 3.3 | - | - | 3.1 | - | - | 2.8 | - | ns | |
| t_r | rise time | DATA | [2] | 0.39 | - | 2.4 | 0.39 | - | 2.4 | 0.39 | - | 2.4 | 0.39 | - | 2.4 | ns |
| | | DAV | | 0.26 | - | 2.4 | 0.26 | - | 2.4 | 0.26 | - | 2.4 | 0.26 | - | 2.4 | ns |
| t_f | fall time | DATA | [2] | 0.19 | - | 2.4 | 0.19 | - | 2.4 | 0.19 | - | 2.4 | 0.19 | - | 2.4 | ns |

Table 8. Clock input and digital output timing characteristics^[1] ...continued

| Symbol | Parameter | Conditions | ADC1010S065 | | | ADC1010S080 | | | ADC1010S105 | | | ADC1010S125 | | | Unit | |
|--|-------------------|------------|-------------|------|-----|-------------|------|-----|-------------|------|-----|-------------|------|-----|------|----|
| | | | Min | Typ | Max | Min | Typ | Max | Min | Typ | Max | Min | Typ | Max | | |
| LVDS DDR mode timing output: pins D8_D9_P to D0_D1_P, D8_D9_M to D0_D1_M, DAVP and DAVM | | | | | | | | | | | | | | | | |
| t _{PD} | propagation delay | DATA | 3.3 | 5.1 | 7.6 | 2.9 | 4.6 | 7.1 | 2.5 | 4.2 | 6.8 | 2.2 | 4.0 | 6.6 | ns | |
| | | DAV | - | 2.8 | - | - | 2.5 | - | - | 2.3 | - | - | 2.2 | - | ns | |
| t _{su} | set-up time | | - | 5.4 | - | - | 4.1 | - | - | 2.6 | - | - | 1.9 | - | ns | |
| t _h | hold time | | - | 2.2 | - | - | 2.0 | - | - | 1.8 | - | - | 1.7 | - | ns | |
| t _r | rise time | DATA | [3] | 0.5 | - | 5 | 0.5 | - | 5 | 0.5 | - | 5 | 0.5 | - | 5 | ns |
| | | DAV | | 0.18 | - | 2.4 | 0.18 | - | 2.4 | 0.18 | - | 2.4 | 0.18 | - | 2.4 | ns |
| t _f | fall time | DATA | [3] | 0.15 | - | 1.6 | 0.15 | - | 1.6 | 0.15 | - | 1.6 | 0.15 | - | 1.6 | ns |

[1] Typical values measured at V_{DDA} = 3 V, V_{DDO} = 1.8 V, T_{amb} = 25 °C and C_L = 5 pF; minimum and maximum values are across the full temperature range T_{amb} = -40 °C to +85 °C at V_{DDA} = 3 V, V_{DDO} = 1.8 V; V_{INP} - V_{INM} = -1 dBFS; internal reference mode; applied to CMOS and LVDS interface; unless otherwise specified.

[2] Measured between 20 % to 80 % of V_{DDO}.

[3] Rise time measured from -50 mV to +50 mV; fall time measured from +50 mV to -50 mV.

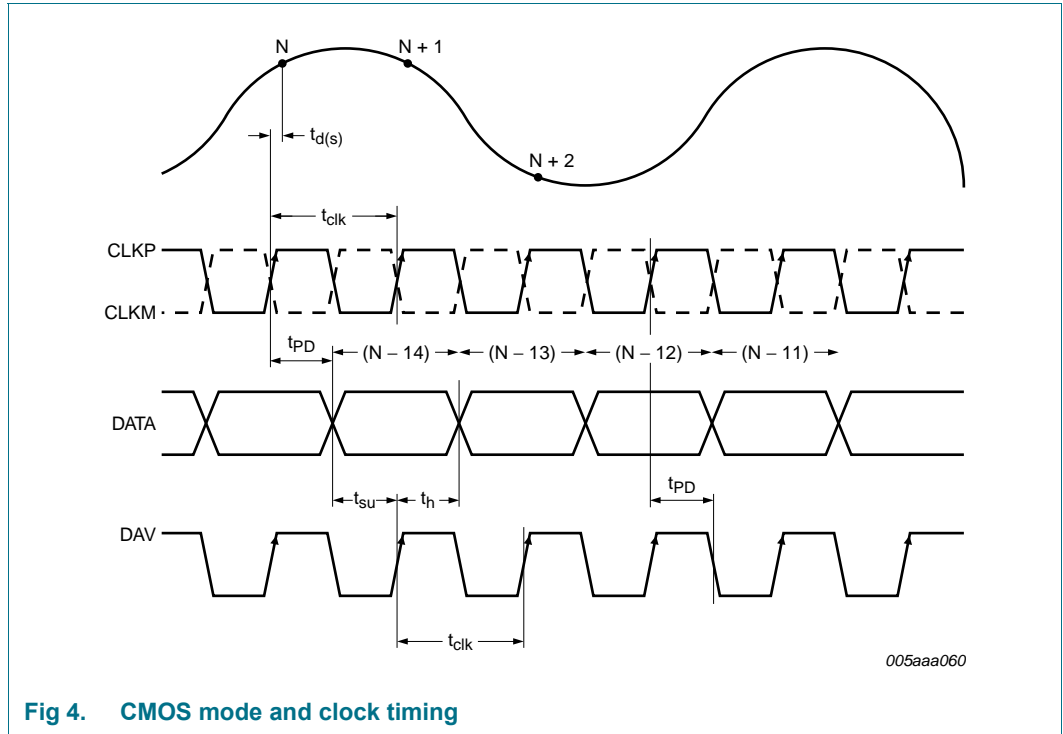


Fig 4. CMOS mode and clock timing

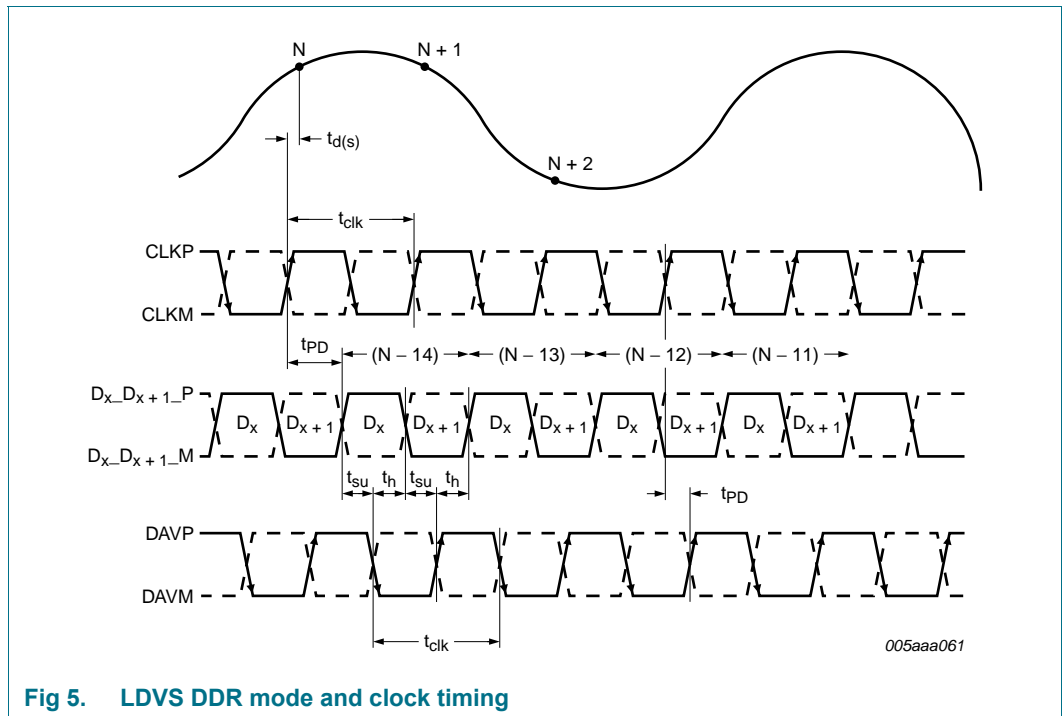


Fig 5. LVDS DDR mode and clock timing

10.3 SPI timings

Table 9. SPI timings characteristics^[1]

| Symbol | Parameter | Conditions | Min | Typ | Max | Unit |
|----------------|-------------------------|------------------------------|-----|-----|-----|------|
| $t_{w(SCLK)}$ | SCLK pulse width | | - | 40 | - | ns |
| $t_{w(SCLKH)}$ | SCLK HIGH pulse width | | - | 16 | - | ns |
| $t_{w(SCLKL)}$ | SCLK LOW pulse width | | - | 16 | - | ns |
| t_{su} | set-up time | data to SCLK HIGH | - | 5 | - | ns |
| | | \overline{CS} to SCLK HIGH | - | 5 | - | ns |
| t_h | hold time | data to SCLK HIGH | - | 2 | - | ns |
| | | \overline{CS} to SCLK HIGH | - | 2 | - | ns |
| $f_{clk(max)}$ | maximum clock frequency | | - | 25 | - | MHz |

[1] Typical values measured at $V_{DDA} = 3\text{ V}$, $V_{DDO} = 1.8\text{ V}$, $T_{amb} = 25\text{ }^\circ\text{C}$ and $C_L = 5\text{ pF}$; minimum and maximum values are across the full temperature range $T_{amb} = -40\text{ }^\circ\text{C}$ to $+85\text{ }^\circ\text{C}$ at $V_{DDA} = 3\text{ V}$, $V_{DDO} = 1.8\text{ V}$

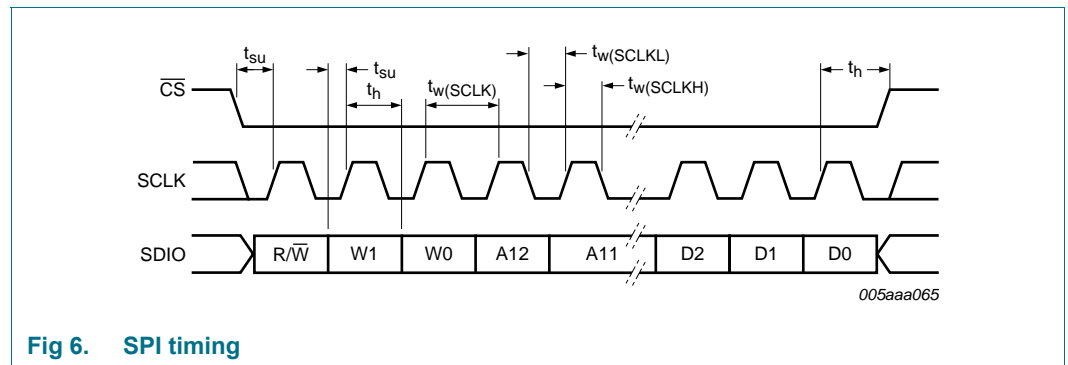


Fig 6. SPI timing

10.4 Typical characteristics

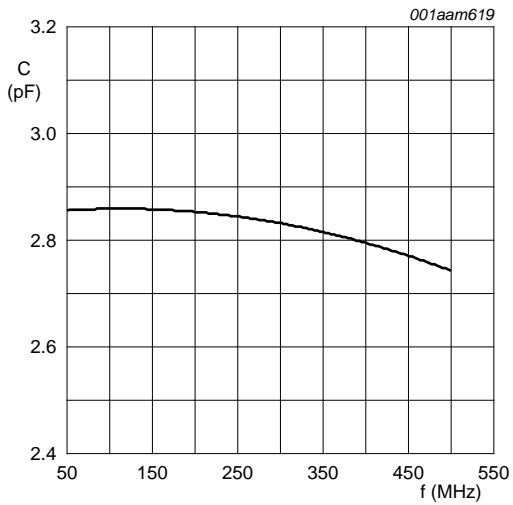


Fig 7. Capacitance as a function of frequency

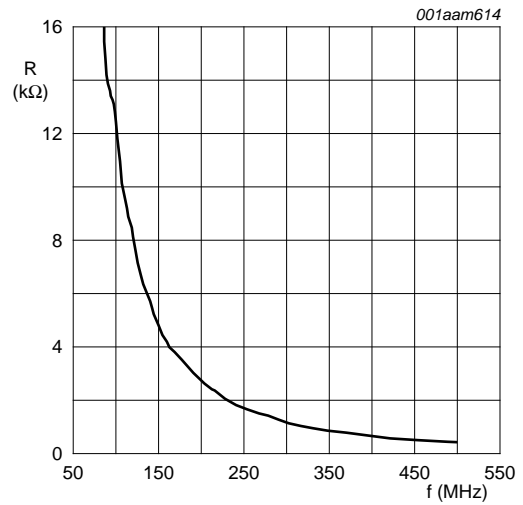
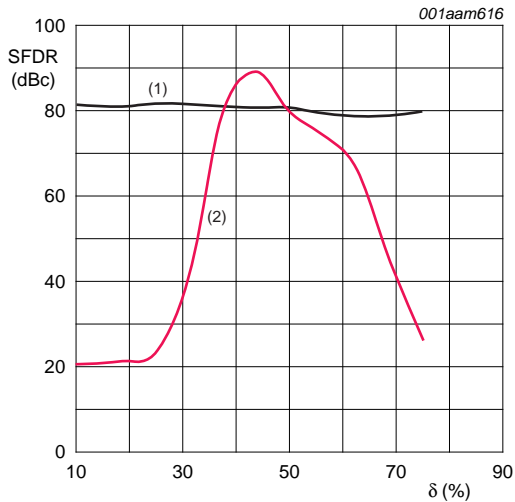
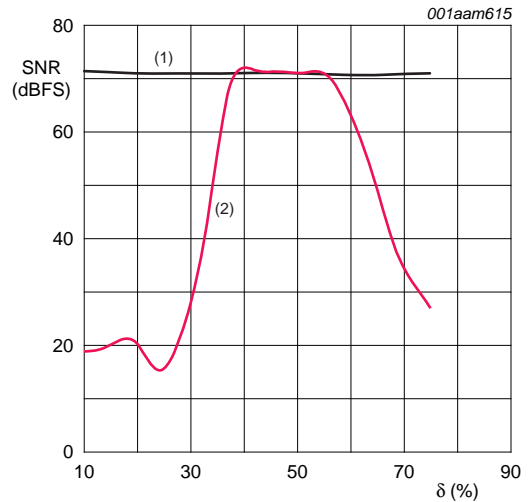


Fig 8. Resistance as a function of frequency



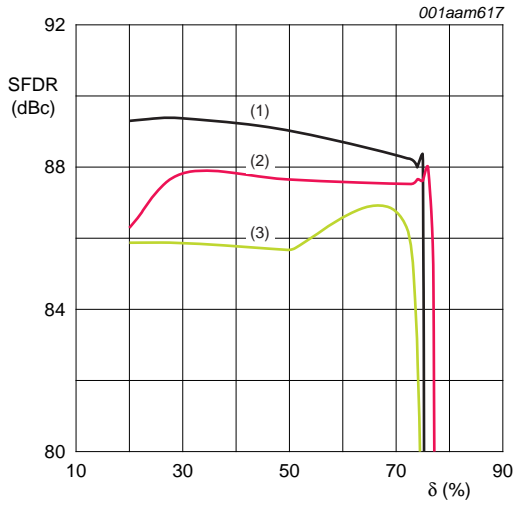
T = 25 °C; V_{DD} = 3 V; f_i = 170 MHz; f_s = 125 Msps
 (1) DCS on
 (2) DCS off

Fig 9. SFDR as a function of duty cycle (δ)



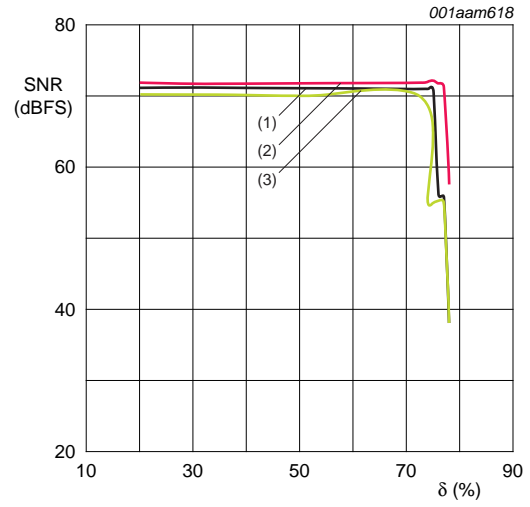
T = 25 °C; V_{DD} = 3 V; f_i = 170 MHz; f_s = 125 Msps
 (1) DCS on
 (2) DCS off

Fig 10. SNR as a function of duty cycle (δ)



- (1) $T_{amb} = -40\text{ }^{\circ}\text{C}$ /typical supply voltages
- (2) $T_{amb} = +25\text{ }^{\circ}\text{C}$ /typical supply voltages
- (3) $T_{amb} = +90\text{ }^{\circ}\text{C}$ /typical supply voltages

Fig 11. SFDR as a function of duty cycle (δ)



- (1) $T_{amb} = -40\text{ }^{\circ}\text{C}$ /typical supply voltages
- (2) $T_{amb} = +25\text{ }^{\circ}\text{C}$ /typical supply voltages
- (3) $T_{amb} = +90\text{ }^{\circ}\text{C}$ /typical supply voltages

Fig 12. SNR as a function of duty cycle (δ)

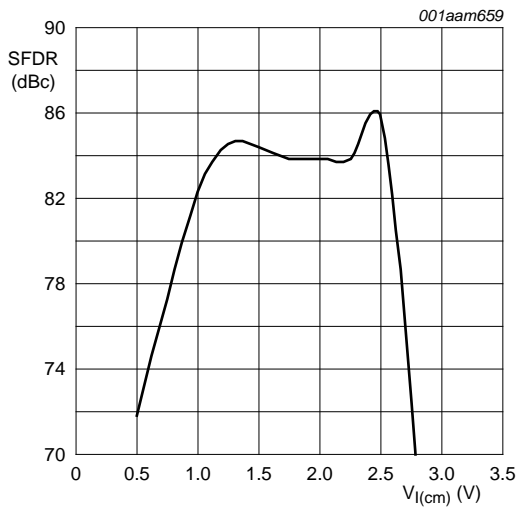


Fig 13. SFDR as a function of common-mode input voltage ($V_{I(cm)}$)

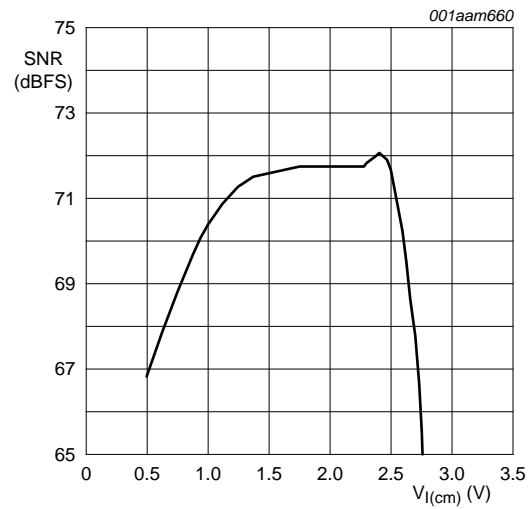


Fig 14. SNR as a function of common-mode input voltage ($V_{I(cm)}$)

11. Application information

11.1 Device control

The ADC1010S can be controlled via SPI or directly via the I/O pins (Pin control mode).

11.1.1 SPI and Pin control modes

The device enters Pin control mode at power-up, and remains in this mode as long as pin \overline{CS} is held HIGH. In Pin control mode, the SPI pins SDIO, \overline{CS} and SCLK are used as static control pins.

SPI control mode is enabled by forcing pin \overline{CS} LOW. Once SPI control mode has been enabled, the device remains in this mode. The transition from Pin control mode to SPI control mode is illustrated in Figure 15.

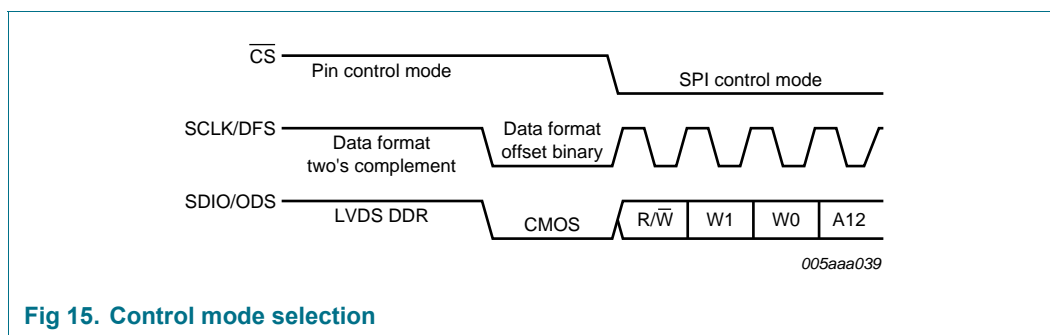


Fig 15. Control mode selection

When the device enters SPI control mode, the output data standard and data format are determined by the level on pin SDIO at the instant a transition is triggered by a falling edge on \overline{CS} .

11.1.2 Operating mode selection

The active ADC1010S operating mode (Power-up, Power-down or Sleep) can be selected via the SPI interface (see Table 20) or by using pins PWD and \overline{OE} in Pin control mode, as described in Table 10.

Table 10. Operating mode selection via pin PWD and \overline{OE}

| Pin PWD | Pin \overline{OE} | Operating mode | Output high-Z |
|---------|---------------------|----------------|---------------|
| LOW | LOW | Power-up | no |
| LOW | HIGH | Power-up | yes |
| HIGH | LOW | Sleep | yes |
| HIGH | HIGH | Power-down | yes |

11.1.3 Selecting the output data standard

The output data standard (CMOS or LVDS DDR) can be selected via the SPI interface (see Table 23) or by using pin ODS in Pin control mode. LVDS DDR is selected when ODS is HIGH, otherwise CMOS is selected.

11.1.4 Selecting the output data format

The output data format can be selected via the SPI interface (offset binary, two's complement or gray code; see Table 23) or by using pin DFS in Pin control mode (offset binary or two's complement). Offset binary is selected when DFS is LOW. When DFS is HIGH, two's complement is selected.

11.2 Analog inputs

11.2.1 Input stage

The analog input of the ADC1010S supports a differential or a single-ended input drive. Optimal performance is achieved using differential inputs with the common-mode input voltage ($V_{I(cm)}$) on pins INP and INM set to $0.5V_{DDA}$.

The full-scale analog input voltage range is configurable between 1 V (p-p) and 2 V (p-p) via a programmable internal reference (see Section 11.3 and Table 22).

The equivalent circuit of the sample and hold input stage, including Electrostatic Discharge (ESD) protection and circuit and package parasitics, is shown in Figure 16.

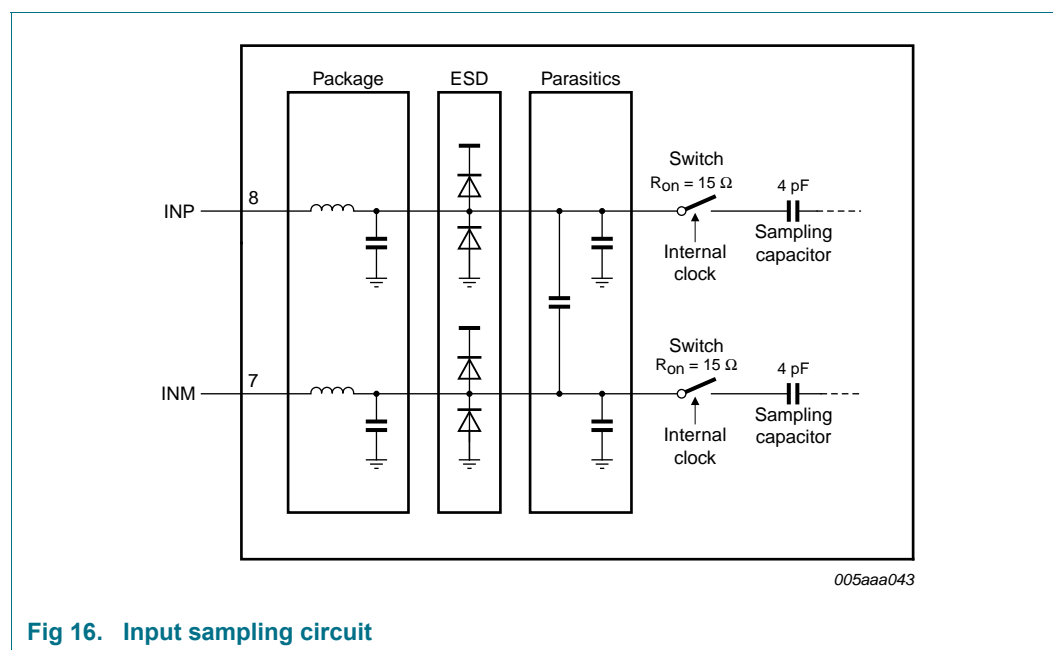


Fig 16. Input sampling circuit

The sample phase occurs when the internal clock (derived from the clock signal on pin CLKP/CLKM) is HIGH. The voltage is then held on the sampling capacitors. When the clock signal goes LOW, the stage enters the hold phase and the voltage information is transmitted to the ADC core.

11.2.2 Anti-kickback circuitry

Anti-kickback circuitry (R-C filter in Figure 17) is needed to counteract the effects of a charge injection generated by the sampling capacitance.

The RC filter is also used to filter noise from the signal before it reaches the sampling stage. The value of the capacitor should be chosen to maximize noise attenuation without degrading the settling time excessively.

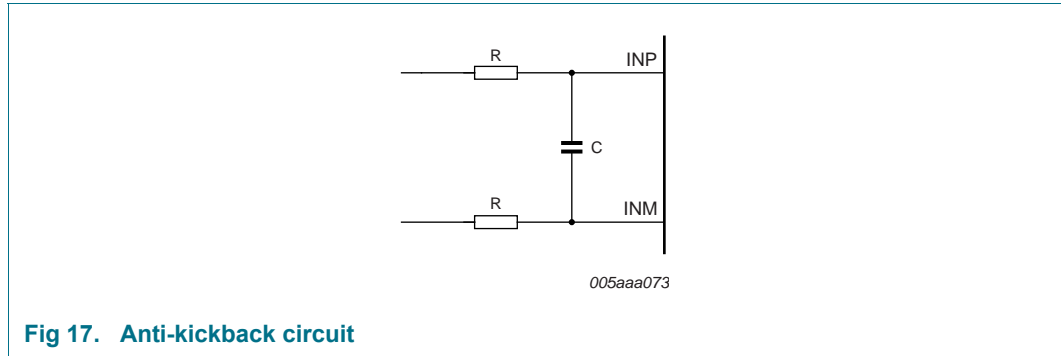


Fig 17. Anti-kickback circuit

The component values are determined by the input frequency and should be selected so as not to affect the input bandwidth.

Table 11. RC coupling versus input frequency - typical values

| Input frequency | R | C |
|-----------------|------|-------|
| 3 MHz | 25 Ω | 12 pF |
| 70 MHz | 12 Ω | 8 pF |
| 170 MHz | 12 Ω | 8 pF |

11.2.3 Transformer

The configuration of the transformer circuit is determined by the input frequency. The configuration shown in Figure 18 would be suitable for a baseband application.

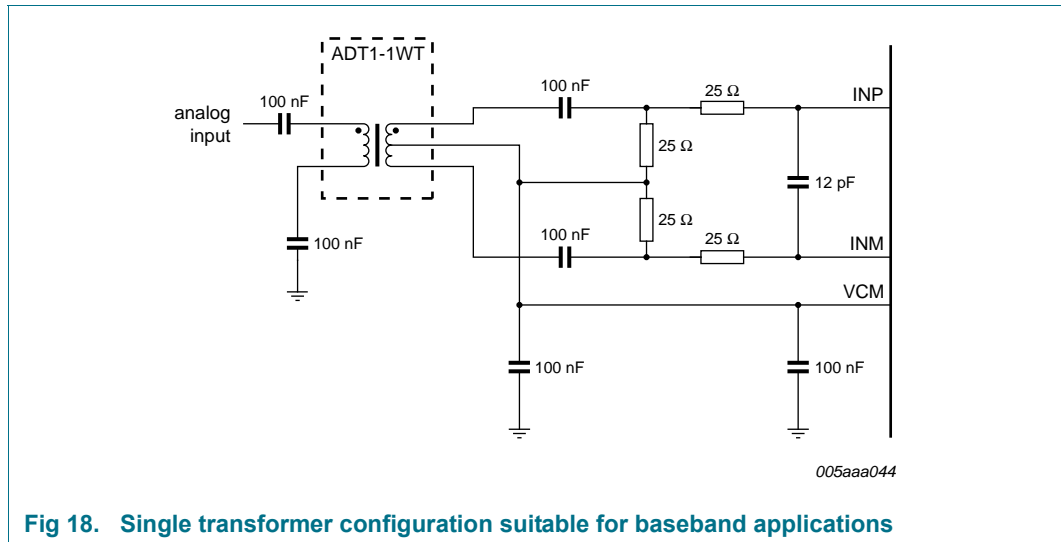


Fig 18. Single transformer configuration suitable for baseband applications

The configuration shown in Figure 19 is recommended for high frequency applications. In both cases, the choice of transformer is a compromise between cost and performance.

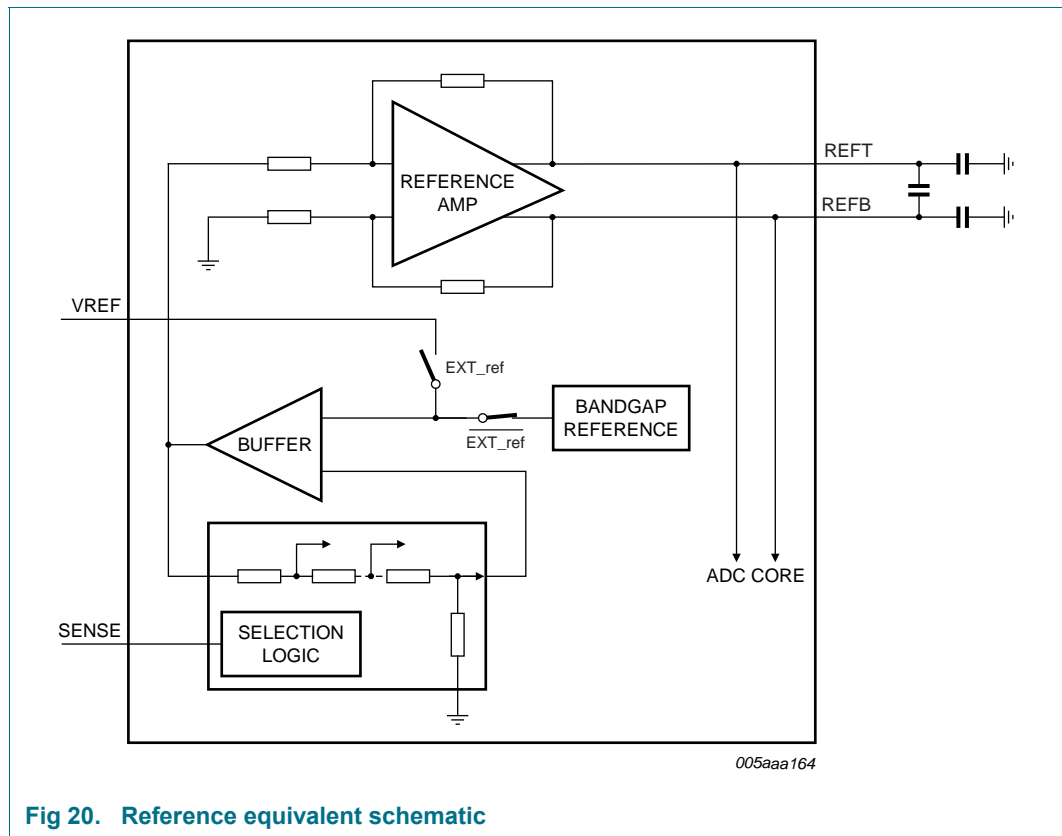


Fig 20. Reference equivalent schematic

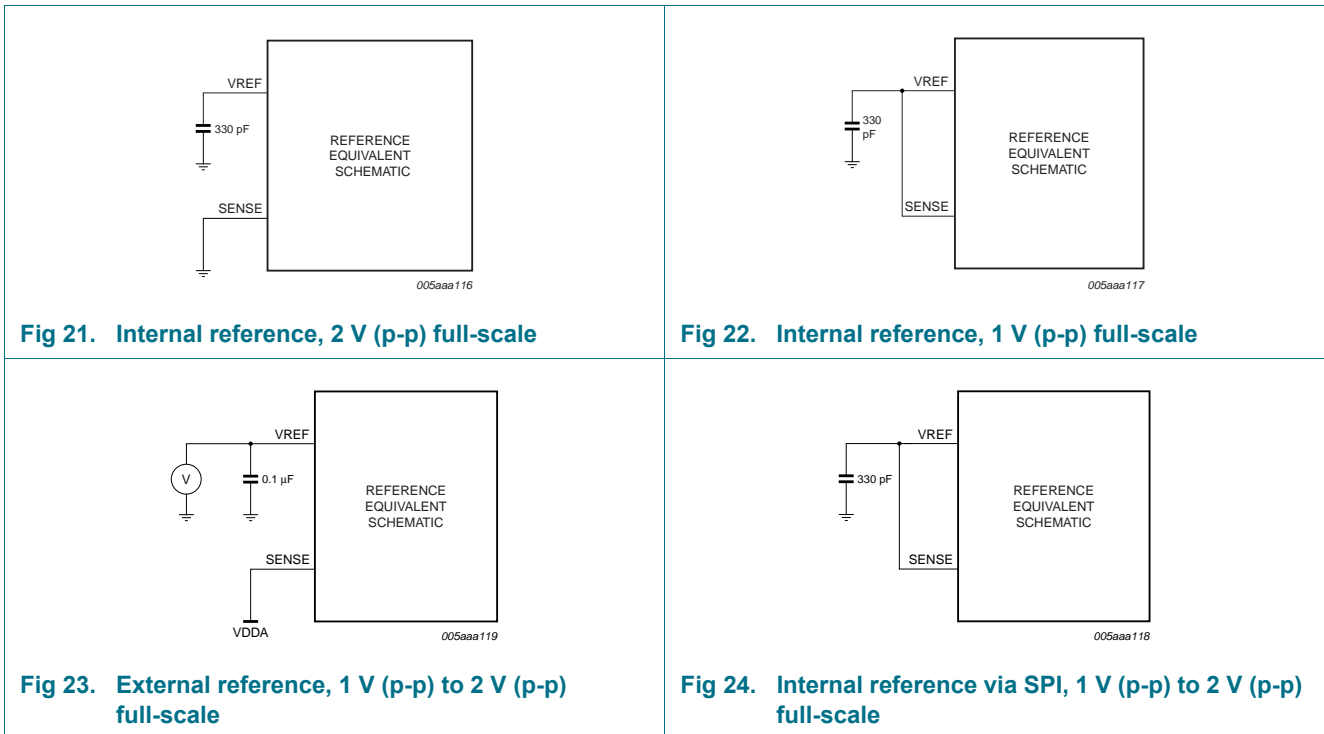
If bit INTREF_EN is set to logic 0, the reference voltage is determined either internally or externally as detailed in Table 12.

Table 12. Reference selection

| Selection | SPI bit INTREF_EN | SENSE pin | VREF pin | Full-scale (p-p) |
|------------------------------|-------------------|--|---|------------------|
| internal (Figure 21) | 0 | AGND | 330 pF capacitor to AGND | 2 V |
| internal (Figure 22) | 0 | pin VREF connected to pin SENSE and via a 330 pF capacitor to AGND | | 1 V |
| external (Figure 23) | 0 | V _{DDA} | external voltage between 0.5 V and 1 V ^[1] | 1 V to 2 V |
| internal via SPI (Figure 24) | 1 | pin VREF connected to pin SENSE and via 330 pF capacitor to AGND | | 1 V to 2 V |

[1] The voltage on pin VREF is doubled internally to generate the internal reference voltage.

Figure 21 to Figure 24 illustrate how to connect the SENSE and VREF pins to select the required reference voltage source.



11.3.2 Programmable full-scale

The full-scale is programmable between 1 V (peak-to-peak) to 2 V (peak-to-peak) (see Table 13).

Table 13. Reference SPI gain control

| INTREF[2:0] | Gain (dB) | Full-scale (V (p-p)) |
|-------------|-----------|----------------------|
| 000 | 0 | 2 |
| 001 | -1 | 1.78 |
| 010 | -2 | 1.59 |
| 011 | -3 | 1.42 |
| 100 | -4 | 1.26 |
| 101 | -5 | 1.12 |
| 110 | -6 | 1 |
| 111 | reserved | x |

11.3.3 Common-mode output voltage ($V_{O(cm)}$)

A 0.1 μF filter capacitor should be connected between pin VCM and ground to ensure a low-noise common-mode output voltage. When AC-coupled, pin VCM can then be used to set the common-mode reference for the analog inputs, for instance via a transformer middle point.

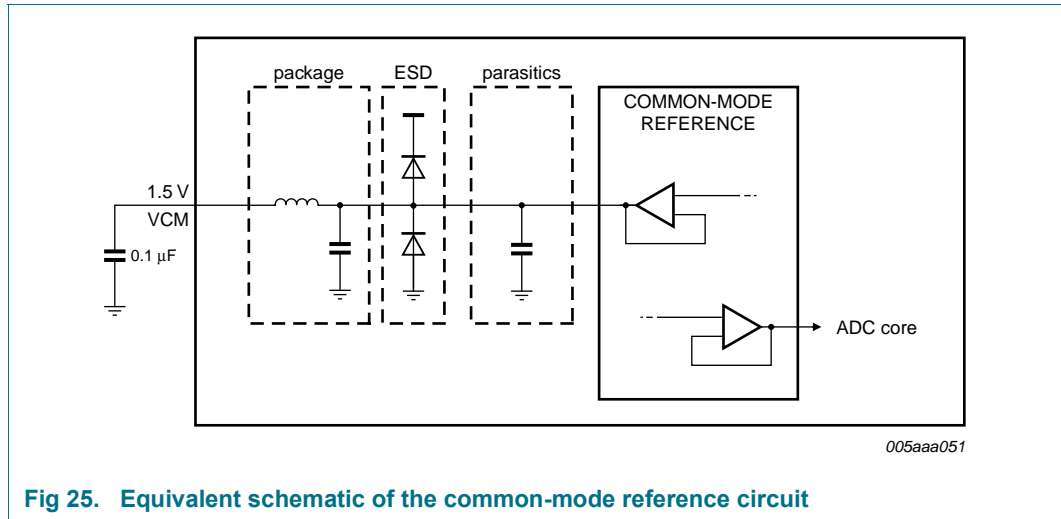


Fig 25. Equivalent schematic of the common-mode reference circuit

11.3.4 Biasing

The common-mode input voltage ($V_{I(cm)}$) on pins INP and INM should be set externally to $0.5V_{DDA}$ for optimal performance and should always be between 0.9 V and 2 V.

11.4 Clock input

11.4.1 Drive modes

The ADC1010S can be driven differentially (LVPECL). It can also be driven by a single-ended Low Voltage Complementary Metal Oxide Semiconductor (LVCMOS) signal connected to pin CLKP (pin CLKM should be connected to ground via a capacitor) or pin CLKM (pin CLKP should be connected to ground via a capacitor).

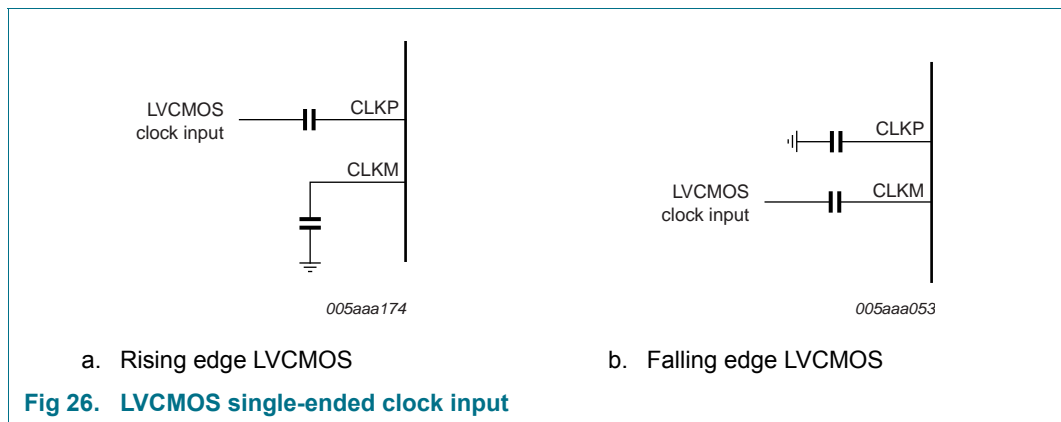
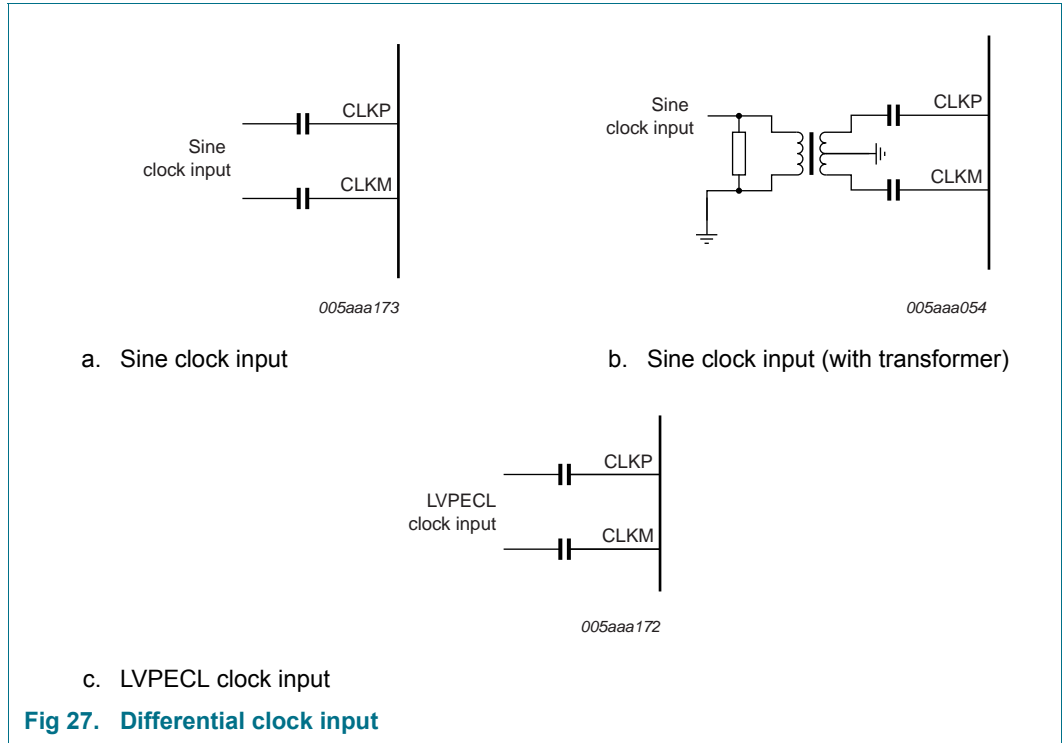
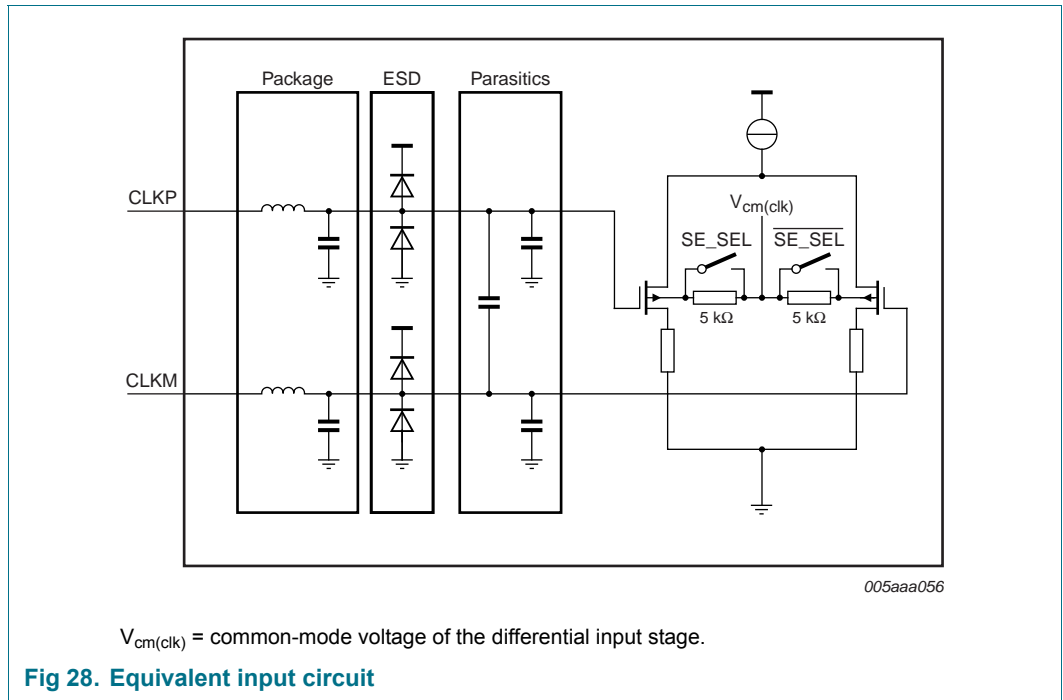


Fig 26. LVCMOS single-ended clock input



11.4.2 Equivalent input circuit

The equivalent circuit of the input clock buffer is shown in Figure 28. The common-mode voltage of the differential input stage is set via internal 5 kΩ resistors.



Single-ended or differential clock inputs can be selected via the SPI interface (see Table 21). If single-ended is enabled, the input pin (CLKM or CLKP) is selected via control bit SE_SEL.

If single-ended is implemented without setting bit SE_SEL to the appropriate value, the unused pin should be connected to ground via a capacitor.

11.4.3 Duty cycle stabilizer

The duty cycle stabilizer can improve the overall performance of the ADC by compensating the duty cycle of the input clock signal. When the duty cycle stabilizer is active (bit DCS_EN = logic 1; see Table 21), the circuit can handle signals with duty cycles of between 30 % and 70 % (typical). When the duty cycle stabilizer is disabled (DCS_EN = logic 0), the input clock signal should have a duty cycle of between 45 % and 55 %.

11.4.4 Clock input divider

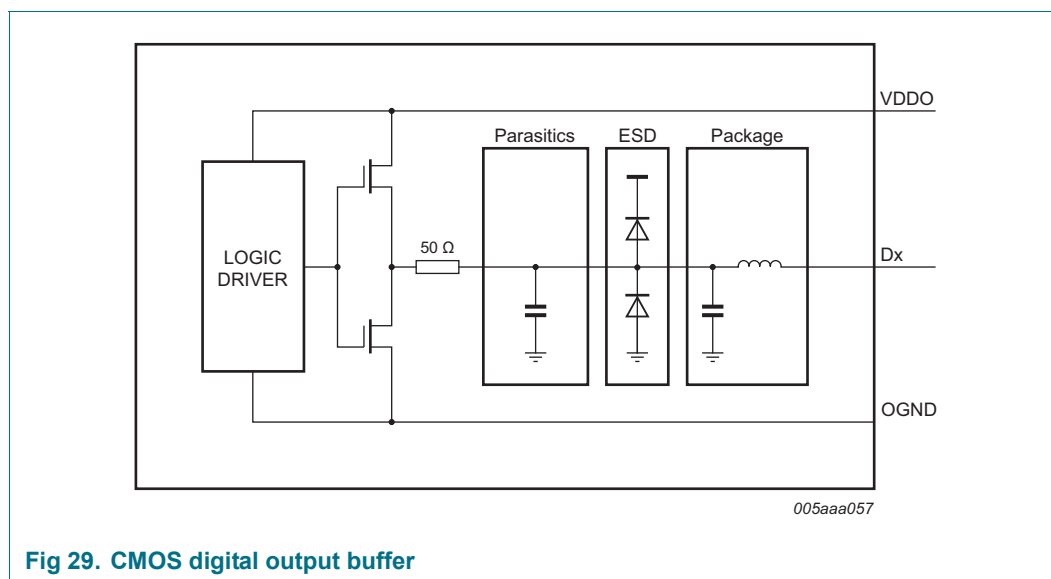
The ADC1010S contains an input clock divider that divides the incoming clock by a factor of 2 (when bit CLKDIV = logic 1; see Table 21). This feature allows the user to deliver a higher clock frequency with better jitter performance, leading to a better SNR result once acquisition has been performed.

11.5 Digital outputs

11.5.1 Digital output buffers: CMOS mode

The digital output buffers can be configured as CMOS by setting bit LVDS_CMOS to logic 0 (see Table 23).

Each digital output has a dedicated output buffer. The equivalent circuit of the CMOS digital output buffer is shown in Figure 29. The buffer is powered by a separate power supply, pins OGND and VDDO, to ensure 1.8 V to 3.3 V compatibility and is isolated from the ADC core. Each buffer can be loaded by a maximum of 10 pF.



The output resistance is $50\ \Omega$ and is the combination of an internal resistor and the equivalent output resistance of the buffer. There is no need for an external damping resistor. The drive strength of both data and DAV buffers can be programmed via the SPI in order to adjust the rise and fall times of the output digital signals (see Table 30):

11.5.2 Digital output buffers: LVDS DDR mode

The digital output buffers can be configured as LVDS DDR by setting bit LVDS_CMOS to logic 1 (see Table 23).

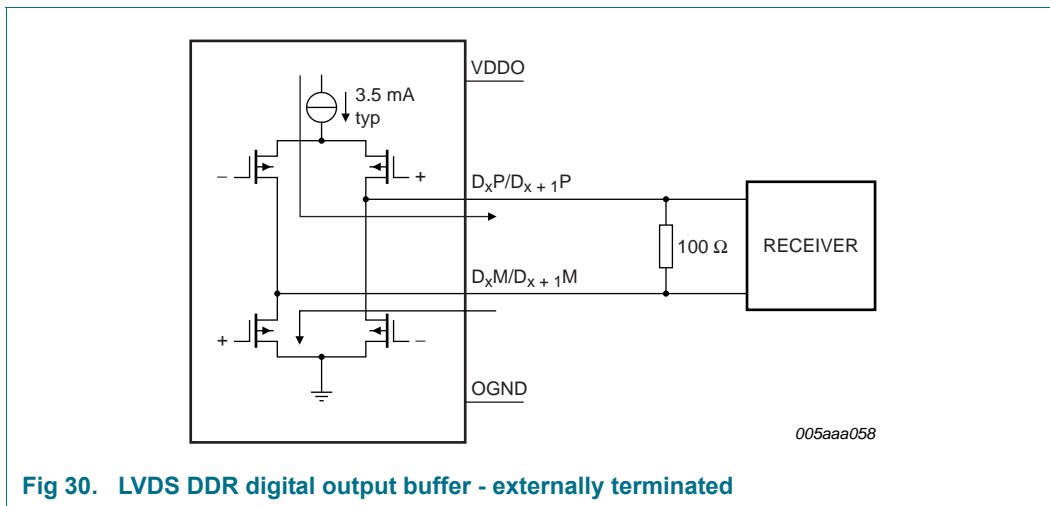


Fig 30. LVDS DDR digital output buffer - externally terminated

Each output should be terminated externally with a $100\ \Omega$ resistor (typical) at the receiver side (Figure 30) or internally via SPI control bits LVDS_INT_TER[2:0] (see Figure 31 and Table 32).

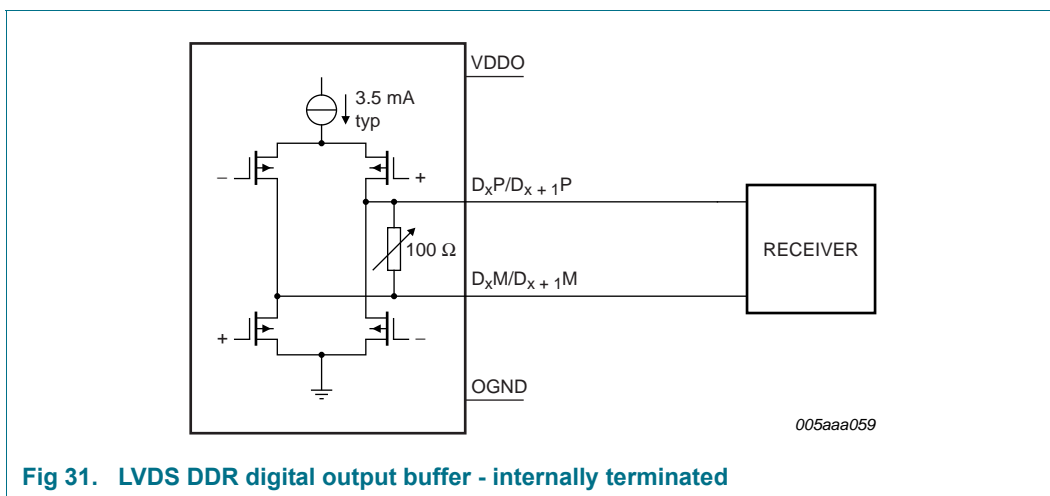


Fig 31. LVDS DDR digital output buffer - internally terminated

The default LVDS DDR output buffer current is set to 3.5 mA. It can be programmed via the SPI (bits DAVI[1:0] and DATA[1:0]; see Table 31) in order to adjust the output logic voltage levels.

Table 14. LVDS DDR output register 2

| LVDS_INT_TER[2:0] | Resistor value (Ω) |
|-------------------|-----------------------------|
| 000 | no internal termination |
| 001 | 300 |
| 010 | 180 |
| 011 | 110 |
| 100 | 150 |
| 101 | 100 |
| 110 | 81 |
| 111 | 60 |

11.5.3 Data Valid (DAV) output clock

A data valid output clock signal (DAV) can be used to capture the data delivered by the ADC1010S. Detailed timing diagrams for CMOS and LVDS DDR modes are shown in Figure 4 and Figure 5 respectively.

11.5.4 Out-of-Range (OTR)

An out-of-range signal is provided on pin OTR. The latency of OTR is fourteen clock cycles. The OTR response can be speeded up by enabling Fast OTR (bit FASTOTR = logic 1; see Table 29). In this mode, the latency of OTR is reduced to only four clock cycles. The Fast OTR detection threshold (below full-scale) can be programmed via bits FASTOTR_DET[2:0].

Table 15. Fast OTR register

| FASTOTR_DET[2:0] | Detection level (dB) |
|------------------|----------------------|
| 000 | -20.56 |
| 001 | -16.12 |
| 010 | -11.02 |
| 011 | -7.82 |
| 100 | -5.49 |
| 101 | -3.66 |
| 110 | -2.14 |
| 111 | -0.86 |

11.5.5 Digital offset

By default, the ADC1010S delivers output code that corresponds to the analog input. However it is possible to add a digital offset to the output code via the SPI (bits DIG_OFFSET[5:0]; see Table 25).

11.5.6 Test patterns

For test purposes, the ADC1010S can be configured to transmit one of a number of predefined test patterns (via bits TESTPAT_SEL[2:0]; see Table 26). A custom test pattern can be defined by the user (TESTPAT_USER[9:0]; see Table 27 and Table 28) and is selected when TESTPAT_SEL[2:0] = 101. The selected test pattern is transmitted regardless of the analog input.

11.5.7 Output codes versus input voltage

Table 16. Output codes

| $V_{INP} - V_{INM}$ | Offset binary | Two's complement | OTR pin |
|---------------------|---------------------|---------------------|---------|
| < -1 | 00 0000 0000 | 10 0000 0000 | 1 |
| -1.0000000 | 00 0000 0000 | 10 0000 0000 | 0 |
| -0.9980469 | 00 0000 0001 | 10 0000 0001 | 0 |
| -0.9960938 | 00 0000 0010 | 10 0000 0010 | 0 |
| -0.9941406 | 00 0000 0011 | 10 0000 0011 | 0 |
| -0.9921875 | 00 0000 0100 | 10 0000 0100 | 0 |
| | | | 0 |
| -0.0039063 | 01 1111 1110 | 11 1111 1110 | 0 |
| -0.0019531 | 01 111 1111 | 11 1111 1111 | 0 |
| 0.0000000 | 10 0000 0000 | 00 0000 0000 | 0 |
| +0.0019531 | 10 0000 0001 | 00 0000 0001 | 0 |
| +0.0039063 | 10 0000 0010 | 00 0000 0010 | 0 |
| | | | 0 |
| +0.9921875 | 11 1111 1011 | 01 1111 1011 | 0 |
| +0.9941406 | 11 1111 1100 | 01 1111 1100 | 0 |
| +0.9960938 | 11 1111 1101 | 01 1111 1101 | 0 |
| +0.9980469 | 11 1111 1110 | 01 1111 1110 | 0 |
| +1.0000000 | 11 1111 1111 | 01 1111 1111 | 0 |
| > +1 | 11 1111 1111 | 01 1111 1111 | 1 |

11.6 Serial peripheral interface

11.6.1 Register description

The ADC1010S serial interface is a synchronous serial communications port that allows easy interfacing with many commonly-used microprocessors. It provides access to the registers that control the operation of the chip.

This interface is configured as a 3-wire type (SDIO as bidirectional pin)

Pin SCLK is the serial clock input and \overline{CS} is the chip select pin.

Each read/write operation is initiated by a LOW level on pin \overline{CS} . A minimum of three bytes is transmitted (two instruction bytes and at least one data byte). The number of data bytes is determined by the value of bits W1 and W2 (see Table 18).

Table 17. Instruction bytes for the SPI

| | MSB | | | | | | | LSB |
|-------------|-----------------------|-------|-------|-----|-----|-----|----|-----|
| Bit | 7 | 6 | 5 | 4 | 3 | 2 | 1 | 0 |
| Description | R/ \overline{W} [1] | W1[2] | W0[2] | A12 | A11 | A10 | A9 | A8 |
| | A7 | A6 | A5 | A4 | A3 | A2 | A1 | A0 |

[1] Bit R/ \overline{W} indicates whether it is a read (logic 1) or a write (logic 0) operation.

[2] Bits W1 and W0 indicate the number of bytes to be transferred after the instruction byte (see Table 18).

Table 18. Number of data bytes to be transferred after the instruction bytes

| W1 | W0 | Number of bytes transmitted |
|----|----|-----------------------------|
| 0 | 0 | 1 byte |
| 0 | 1 | 2 bytes |
| 1 | 0 | 3 bytes |
| 1 | 1 | 4 bytes or more |

Bits A12 to A0 indicate the address of the register being accessed. In the case of a multiple byte transfer, this address is the first register to be accessed. An address counter is increased to access subsequent addresses.

The steps involved in a data transfer are as follows:

1. A falling edge on \overline{CS} in combination with a rising edge on SCLK determine the start of communications.
2. The first phase is the transfer of the 2-byte instruction.
3. The second phase is the transfer of the data which can vary in length but is always a multiple of 8 bits. The MSB is always sent first (for instruction and data bytes).
4. A rising edge on \overline{CS} indicates the end of data transmission.

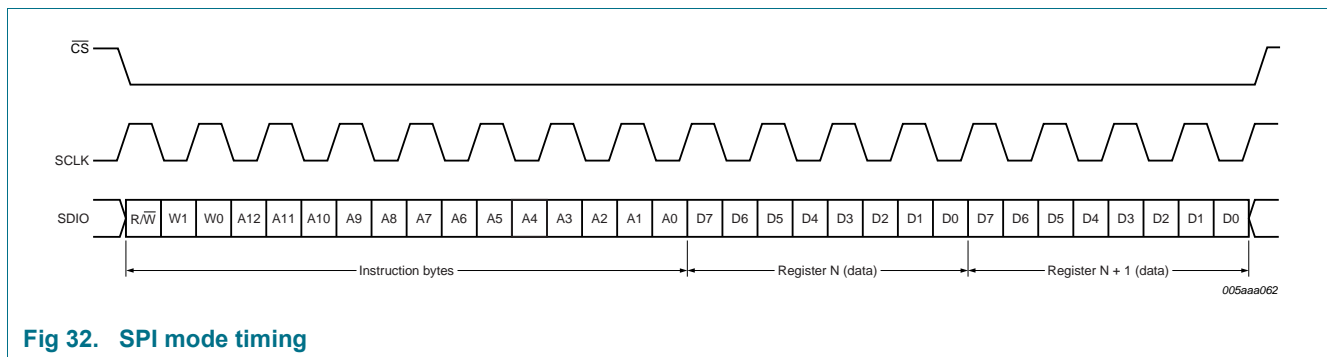


Fig 32. SPI mode timing

11.6.2 Default modes at start-up

During circuit initialization, it does not matter which output data standard has been selected. At power-up, the device enters Pin control mode.

A falling edge on \overline{CS} triggers a transition to SPI control mode. When the ADC1010S enters SPI control mode, the output data standard (CMOS/LVDS DDR) is determined by the level on pin SDIO (see Figure 33). Once in SPI control mode, the output data standard can be changed via bit LVDS_CMOS in Table 23.

When the ADC1010S enters SPI control mode, the output data format (two's complement or offset binary) is determined by the level on pin SCLK (gray code can only be selected via the SPI). Once in SPI control mode, the output data format can be changed via bit DATA_FORMAT[1:0] in Table 23.

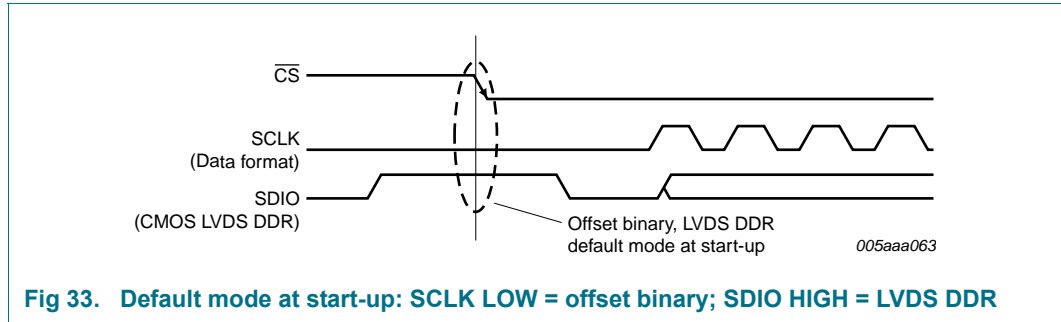


Fig 33. Default mode at start-up: SCLK LOW = offset binary; SDIO HIGH = LVDS DDR

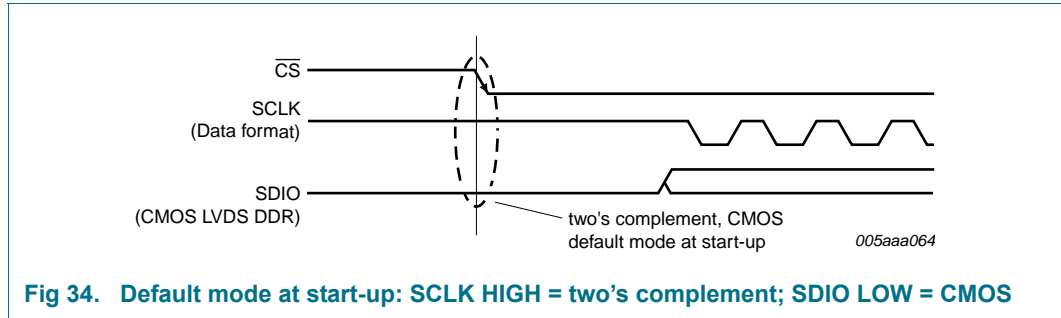


Fig 34. Default mode at start-up: SCLK HIGH = two's complement; SDIO LOW = CMOS

11.6.3 Register allocation map

Table 19. Register allocation map

| Addr Hex | Register name | R/W | Bit definition | | | | | | | | Default |
|----------|--------------------------|-----|-------------------|---------------|-----------------|-----------|---------------|-------------------|------------------|--------|--------------|
| | | | Bit 7 | Bit 6 | Bit 5 | Bit 4 | Bit 3 | Bit 2 | Bit 1 | Bit 0 | Bin |
| 0005 | Reset and operating mode | R/W | SW_RST | RESERVED[2:0] | | | - | - | OP_MODE[1:0] | | 0000 0000 |
| 0006 | Clock | R/W | - | - | - | SE_SEL | DIFF_SE | - | CLKDIV | DCS_EN | 0000 0001 |
| 0008 | Internal reference | R/W | - | - | - | - | INTREF_EN | INTREF[2:0] | | | 0000 0000 |
| 0011 | Output data standard | R/W | - | - | - | LVDS_CMOS | OUTBUF | OUTBUS_SWAP | DATA_FORMAT[1:0] | | 0000 0000 |
| 0012 | Output clock | R/W | - | - | - | - | DAVINV | DAVPHASE[2:0] | | | 0000 1110 |
| 0013 | Offset | R/W | - | - | DIG_OFFSET[5:0] | | | | | | 0000 0000 |
| 0014 | Test pattern 1 | R/W | - | - | - | - | - | TESTPAT_SEL[2:0] | | | 0000 0000 |
| 0015 | Test pattern 2 | R/W | TESTPAT_USER[9:2] | | | | | | | | 0000 0000 |
| 0016 | Test pattern 3 | R/W | TESTPAT_USER[1:0] | | | | - | - | - | - | 0000 0000 |
| 0017 | Fast OTR | R/W | - | - | - | - | FASTOTR | FASTOTR_DET[2:0] | | | 0000 0000 |
| 0020 | CMOS output | R/W | - | - | - | - | DAV_DRV[1:0] | | DATA_DRV[1:0] | | 0000 1110 |
| 0021 | LVDS DDR O/P 1 | R/W | - | - | DAVI_x2_EN | DAVI[1:0] | | DATAI_x2_EN | DATAI[1:0] | | 0000 0000 |
| 0022 | LVDS DDR O/P 2 | R/W | - | - | - | - | BIT_BYTE_WISE | LVDS_INT_TER[2:0] | | | 0000 0000 |

Table 20. Reset and operating mode control register (address 0005h) bit description*Default values are highlighted.*

| Bit | Symbol | Access | Value | Description |
|--------|---------------|--------|------------|---------------------------------------|
| 7 | SW_RST | R/W | | reset digital section |
| | | | 0 | no reset |
| | | | 1 | performs a reset of the SPI registers |
| 6 to 4 | RESERVED[2:0] | | 000 | reserved |
| 3 to 2 | - | | 00 | not used |
| 1 to 0 | OP_MODE[1:0] | R/W | | operating mode |
| | | | 00 | normal (power-up) |
| | | | 01 | power-down |
| | | | 10 | sleep |
| | | | 11 | normal (power-up) |

Table 21. Clock control register (address 0006h) bit description*Default values are highlighted.*

| Bit | Symbol | Access | Value | Description |
|--------|---------|--------|----------|--|
| 7 to 5 | - | | 000 | not used |
| 4 | SE_SEL | R/W | | single-ended clock input pin select |
| | | | 0 | CLKM |
| | | | 1 | CLKP |
| 3 | DIFF_SE | R/W | | differential/single ended clock input select |
| | | | 0 | fully differential |
| | | | 1 | single-ended |
| 2 | - | | 0 | not used |
| 1 | CLKDIV | R/W | | clock input divide by 2 |
| | | | 0 | disabled |
| | | | 1 | enabled |
| 0 | DCS_EN | R/W | | duty cycle stabilizer |
| | | | 0 | disabled |
| | | | 1 | enabled |

Table 22. Internal reference control register (address 0008h) bit description*Default values are highlighted.*

| Bit | Symbol | Access | Value | Description |
|--------|-------------|--------|------------|--|
| 7 to 4 | - | | 0000 | not used |
| 3 | INTREF_EN | R/W | | programmable internal reference enable |
| | | | 0 | disable |
| | | | 1 | active |
| 2 to 0 | INTREF[2:0] | R/W | | programmable internal reference |
| | | | 000 | FS = 2 V |
| | | | 001 | FS = 1.78 V |
| | | | 010 | FS = 1.59 V |
| | | | 011 | FS = 1.42 V |
| | | | 100 | FS = 1.26 V |
| | | | 101 | FS = 1.12 V |
| | | | 110 | FS = 1 V |
| | | | 111 | reserved |

Table 23. Output data standard control register (address 0011h) bit description*Default values are highlighted.*

| Bit | Symbol | Access | Value | Description |
|--------|------------------|--------|-----------|---|
| 7 to 5 | - | | 000 | not used |
| 4 | LVDS_CMOS | R/W | | output data standard: LVDS DDR or CMOS |
| | | | 0 | CMOS |
| | | | 1 | LVDS DDR |
| 3 | OUTBUF | R/W | | output buffers enable |
| | | | 0 | output enabled |
| | | | 1 | output disabled (high-Z) |
| 2 | OUTBUS_SWAP | R/W | | output bus swapping |
| | | | 0 | no swapping |
| | | | 1 | output bus is swapping (MSB becomes LSB and vice versa) |
| 1 to 0 | DATA_FORMAT[1:0] | R/W | | output data format |
| | | | 00 | offset binary |
| | | | 01 | two's complement |
| | | | 10 | gray code |
| | | | 11 | offset binary |

Table 24. Output clock register (address 0012h) bit description

Default values are highlighted.

| Bit | Symbol | Access | Value | Description |
|--------|---------------|--------|------------|---|
| 7 to 4 | - | | 0000 | not used |
| 3 | DAVINV | R/W | | output clock data valid (DAV) polarity |
| | | | 0 | normal |
| | | | 1 | inverted |
| 2 to 0 | DAVPHASE[2:0] | R/W | | DAV phase select |
| | | | 000 | output clock shifted (ahead) by $6/16 \times t_{clk}$ |
| | | | 001 | output clock shifted (ahead) by $5/16 \times t_{clk}$ |
| | | | 010 | output clock shifted (ahead) by $4/16 \times t_{clk}$ |
| | | | 011 | output clock shifted (ahead) by $3/16 \times t_{clk}$ |
| | | | 100 | output clock shifted (ahead) by $2/16 \times t_{clk}$ |
| | | | 101 | output clock shifted (ahead) by $1/16 \times t_{clk}$ |
| | | | 110 | default value as defined in timing section |
| | | | 111 | output clock shifted (delayed) by $1/16 \times t_{clk}$ |

Table 25. Offset register (address 0013h) bit description

Default values are highlighted.

| Bit | Symbol | Access | Value | Description |
|--------|-----------------|--------|---------------|---------------------------|
| 7 to 6 | - | | 00 | not used |
| 5 to 0 | DIG_OFFSET[5:0] | R/W | | digital offset adjustment |
| | | | 011111 | +31 LSB |
| | | | ... | ... |
| | | | 000000 | 0 |
| | | | ... | ... |
| | | | 100000 | -32 LSB |

Table 26. Test pattern register 1 (address 0014h) bit description

Default values are highlighted.

| Bit | Symbol | Access | Value | Description |
|--------|------------------|--------|------------|----------------------------------|
| 7 to 3 | - | | 00000 | not used |
| 2 to 0 | TESTPAT_SEL[2:0] | R/W | | digital test pattern select |
| | | | 000 | off |
| | | | 001 | mid scale |
| | | | 010 | -FS |
| | | | 011 | +FS |
| | | | 100 | toggle '1111..1111'/'0000..0000' |
| | | | 101 | custom test pattern |
| | | | 110 | '1010..1010.' |
| | | | 111 | '010..1010' |

Table 27. Test pattern register 2 (address 0015h) bit description*Default values are highlighted.*

| Bit | Symbol | Access | Value | Description |
|--------|-------------------|--------|-----------------|---|
| 7 to 0 | TESTPAT_USER[9:2] | R/W | 00000000 | custom digital test pattern (bits 9 to 2) |

Table 28. Test pattern register 3 (address 0016h) bit description*Default values are highlighted.*

| Bit | Symbol | Access | Value | Description |
|--------|-------------------|--------|-----------|---|
| 7 to 6 | TESTPAT_USER[1:0] | R/W | 00 | custom digital test pattern (bits 1 to 0) |
| 5 to 0 | - | | 000000 | not used |

Table 29. Fast OTR register (address 0017h) bit description*Default values are highlighted.*

| Bit | Symbol | Access | Value | Description |
|--------|------------------|--------|------------|-----------------------------------|
| 7 to 4 | - | | 0000 | not used |
| 3 | FASTOTR | R/W | | fast OuT-of-Range (OTR) detection |
| | | | 0 | disabled |
| | | | 1 | enabled |
| 2 to 0 | FASTOTR_DET[2:0] | R/W | | set fast OTR detect level |
| | | | 000 | -20.56 dB |
| | | | 001 | -16.12 dB |
| | | | 010 | -11.02 dB |
| | | | 011 | -7.82 dB |
| | | | 100 | -5.49 dB |
| | | | 101 | -3.66 dB |
| | | | 110 | -2.14 dB |
| | | | 111 | -0.86 dB |

Table 30. CMOS output register (address 0020h) bit description*Default values are highlighted.*

| Bit | Symbol | Access | Value | Description |
|--------|---------------|--------|-----------|--|
| 7 to 4 | - | | 0000 | not used |
| 3 to 2 | DAV_DRV[1:0] | R/W | | drive strength for DAV CMOS output buffer |
| | | | 00 | low |
| | | | 01 | medium |
| | | | 10 | high |
| | | | 11 | very high |
| 1 to 0 | DATA_DRV[1:0] | R/W | | drive strength for DATA CMOS output buffer |
| | | | 00 | low |
| | | | 01 | medium |
| | | | 10 | high |
| | | | 11 | very high |

Table 31. LVDS DDR output register 1 (address 0021h) bit description*Default values are highlighted.*

| Bit | Symbol | Access | Value | Description |
|--------|-------------|--------|-----------|--|
| 7 to 6 | - | | 00 | not used |
| 5 | DAVI_x2_EN | R/W | | double LVDS current for DAV LVDS buffer |
| | | | 0 | disabled |
| | | | 1 | enabled |
| 4 to 3 | DAVI[1:0] | R/W | | LVDS current for DAV LVDS buffer |
| | | | 00 | 3.5 mA |
| | | | 01 | 4.5 mA |
| | | | 10 | 1.25 mA |
| | | | 11 | 2.5 mA |
| 2 | DATAI_x2_EN | R/W | | double LVDS current for DATA LVDS buffer |
| | | | 0 | disabled |
| | | | 1 | enabled |
| 1 to 0 | DATAI[1:0] | R/W | | LVDS current for DATA LVDS buffer |
| | | | 00 | 3.5 mA |
| | | | 01 | 4.5 mA |
| | | | 10 | 1.25 mA |
| | | | 11 | 2.5 mA |

Table 32. LVDS DDR output register 2 (address 0022h) bit description*Default values are highlighted.*

| Bit | Symbol | Access | Value | Description |
|--------|-------------------|--------|------------|---|
| 7 to 4 | - | | 0000 | not used |
| 3 | BIT_BYTE_WISE | R/W | | DDR mode for LVDS output |
| | | | 0 | bit wise (even data bits output on DAV rising edge/odd data bits output on DAV falling edge) |
| | | | 1 | byte wise (MSB data bits output on DAV rising edge/LSB data bits output on DAV falling edge) |
| 2 to 0 | LVDS_INT_TER[2:0] | R/W | | internal termination for LVDS buffer (DAV and DATA) |
| | | | 000 | no internal termination |
| | | | 001 | 300 Ω |
| | | | 010 | 180 Ω |
| | | | 011 | 110 Ω |
| | | | 100 | 150 Ω |
| | | | 101 | 100 Ω |
| | | | 110 | 81 Ω |
| | | | 111 | 60 Ω |

12. Package outline

HVQFN40: plastic thermal enhanced very thin quad flat package; no leads; 40 terminals; body 6 x 6 x 0.85 mm

SOT618-1

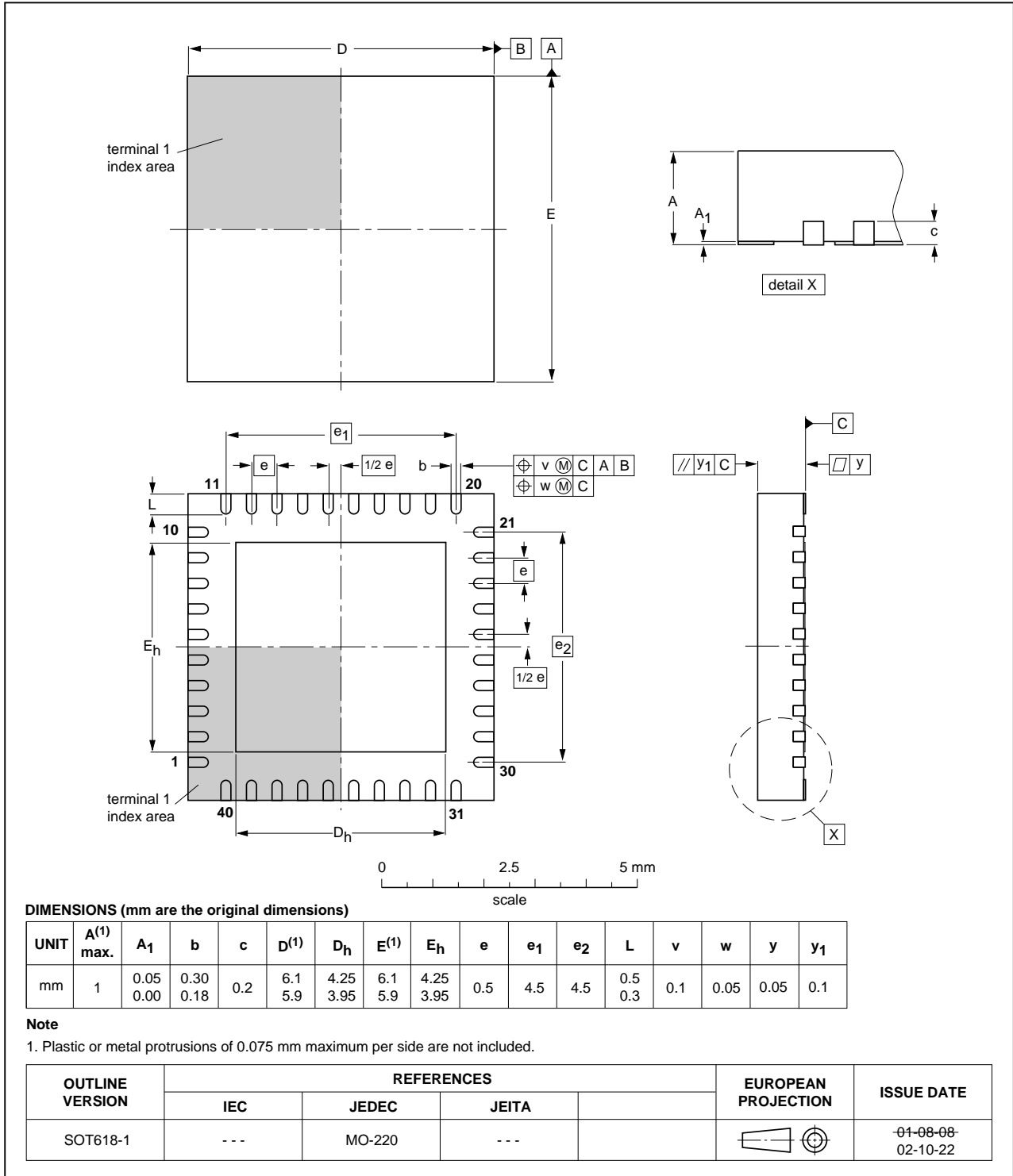


Fig 35. Package outline SOT618-1 (HVQFN40)

13. Revision history

Table 33. Revision history

| Document ID | Release date | Data sheet status | Change notice | Supersedes |
|------------------|--|------------------------|---------------|----------------|
| ADC1010S_SER v.3 | 20120702 | Product data sheet | - | ADC1010S_SER_2 |
| ADC1010S_SER v.2 | 20101228 | Product data sheet | - | ADC1010S_SER_1 |
| Modifications: | <ul style="list-style-type: none"> • Data sheet status changed from Preliminary to Product. • Text and drawings updated throughout entire data sheet. • SOT618-6 changed to SOT618-1. See Table 1 “Ordering information” and Figure 35 “Package outline SOT618-1 (HVQFN40)”. • Section 10.4 “Typical characteristics” added to the data sheet. | | | |
| ADC1010S_SER_1 | 20100409 | Preliminary data sheet | - | - |

14. Contact information

For more information or sales office addresses, please visit: <http://www.idt.com>

15. Contents

| | | | | | |
|-----------|--|-----------|-----------|--|-----------|
| 1 | General description | 1 | 11.3 | System reference and power management . . . | 18 |
| 2 | Features and benefits | 1 | 11.3.1 | Internal/external references | 18 |
| 3 | Applications | 1 | 11.3.2 | Programmable full-scale | 20 |
| 4 | Ordering information | 2 | 11.3.3 | Common-mode output voltage ($V_{O(cm)}$) | 21 |
| 5 | Block diagram | 2 | 11.3.4 | Biasing | 21 |
| 6 | Pinning information | 3 | 11.4 | Clock input | 21 |
| 6.1 | Pinning | 3 | 11.4.1 | Drive modes | 21 |
| 6.2 | Pin description | 3 | 11.4.2 | Equivalent input circuit | 22 |
| 7 | Limiting values | 5 | 11.4.3 | Duty cycle stabilizer | 23 |
| 8 | Thermal characteristics | 5 | 11.4.4 | Clock input divider | 23 |
| 9 | Static characteristics | 6 | 11.5 | Digital outputs | 23 |
| 10 | Dynamic characteristics | 8 | 11.5.1 | Digital output buffers: CMOS mode | 23 |
| 10.1 | Dynamic characteristics | 8 | 11.5.2 | Digital output buffers: LVDS DDR mode | 24 |
| 10.2 | Clock and digital output timing | 9 | 11.5.3 | DAta Valid (DAV) output clock | 25 |
| 10.3 | SPI timings | 12 | 11.5.4 | OuT-of-Range (OTR) | 25 |
| 10.4 | Typical characteristics | 13 | 11.5.5 | Digital offset | 25 |
| 11 | Application information | 15 | 11.5.6 | Test patterns | 25 |
| 11.1 | Device control | 15 | 11.5.7 | Output codes versus input voltage | 26 |
| 11.1.1 | SPI and Pin control modes | 15 | 11.6 | Serial peripheral interface | 26 |
| 11.1.2 | Operating mode selection | 15 | 11.6.1 | Register description | 26 |
| 11.1.3 | Selecting the output data standard | 15 | 11.6.2 | Default modes at start-up | 27 |
| 11.1.4 | Selecting the output data format | 16 | 11.6.3 | Register allocation map | 29 |
| 11.2 | Analog inputs | 16 | 12 | Package outline | 35 |
| 11.2.1 | Input stage | 16 | 13 | Revision history | 36 |
| 11.2.2 | Anti-kickback circuitry | 16 | 14 | Contact information | 36 |
| 11.2.3 | Transformer | 17 | 15 | Contents | 37 |