

1-Cell, 1.5 A Battery Charger PMIC with 20 mA Termination, Ultra-Low IQ Reverse Boost, and I2C

General Description

DA9168 is a configurable Battery Management IC (BMIC) with integrated dual LDOs and reverse boost to support USB-OTG. The extremely low quiescent current consumption in a very compact footprint makes it ideally suited for a multitude of space conscious, battery powered consumer applications. The fast-growing hearable segment for True Wireless Stereo (TWS), wearable segment for smart watches, and a range of smart home applications such as smart cameras are examples where the DA9168 is an extremely good fit.

The device comprises a high-efficiency switch mode charger with power path management capable of supporting up to 1.5 A charge current, dual LDOs that can be configured as load switches, and high-efficiency reverse boost functionality.

DA9168 has several power saving modes to increase battery life whether the product sits on the shelf or is in operation. Further savings in power are achieved with the ultra-low I_Q reverse boost converter that is efficient down to 60 μ A load currents with low power LDOs.

Key Features

- High-efficiency, synchronous switch mode buck charger
 - 92 % charge efficiency at 0.5 A
 - Pulse frequency modulation (PFM) mode for light load operations
- Reverse current mode from VMID to VBUS
 - Reverse boost with up to 0.7 A output
 - 90% reverse boost efficiency at 1 mA to 10 mA; 95 % reverse boost efficiency at 10 mA to 100 mA output
 - PFM mode for light load operations
- Single input to support USB input and high voltage adapters
 - Supports 4.0 V to 10.0 V input voltage
 - Programmable input current limit (IINDPM) with I²C (100 mA to 2.5 A, 100 mA/step) to support USB 2.0, USB 3.0 standards and high voltage adaptors
 - Programmable input voltage limit (VINDPM) range 3.8 V to 4.8 V
- Flexible I²C configuration and autonomous charging for optimal system performance
- Integrates two LDOs / load switches
 - LDO output range 1.6 V to 5.2 V, 350 mA max load
 - Load switch 350 mA max load
- High integration includes all MOSFETs, current sensing, and loop compensation
- Low $R_{DS_ON} < 19$ m Ω (typ) BATFET to extend battery life
 - BATFET control to support Ship mode, wake up and full system reset
- 15 μ A low battery leakage current with system voltage standby
- 0.1 μ A (typ) leakage current in Ship mode
- High accuracy battery charging profile
- High integration and configurability
 - I²C enabled battery temperature monitors
 - Watchdog feature and power cycling to prevent system stall
 - Reset input and Interrupt (INT_N) outputs
 - Compact, 30 pin, 2.5 mm x 2.1 mm x 0.4 mm WLCSP package
- Fast charge
 - Max 1500 mA, min 20 mA charge current
 - Programmable pre-charge, fast charge, and termination voltage
 - Dynamic power path balances
 - ± 0.5 % accurate termination voltage
- ± 5 % charge current regulation

Applications

- Wearable devices - fitness trackers, smart watches, wireless headphones
- Home automation devices - smoke detectors, smart thermostats, smart door locks
- Health monitoring medical accessories
- Rechargeable toys
- High efficiency, ultra-low power applications

1-Cell, 1.5 A Battery Charger PMIC with 20 mA Termination, Ultra-Low IQ Reverse Boost, and I2C

System Diagram

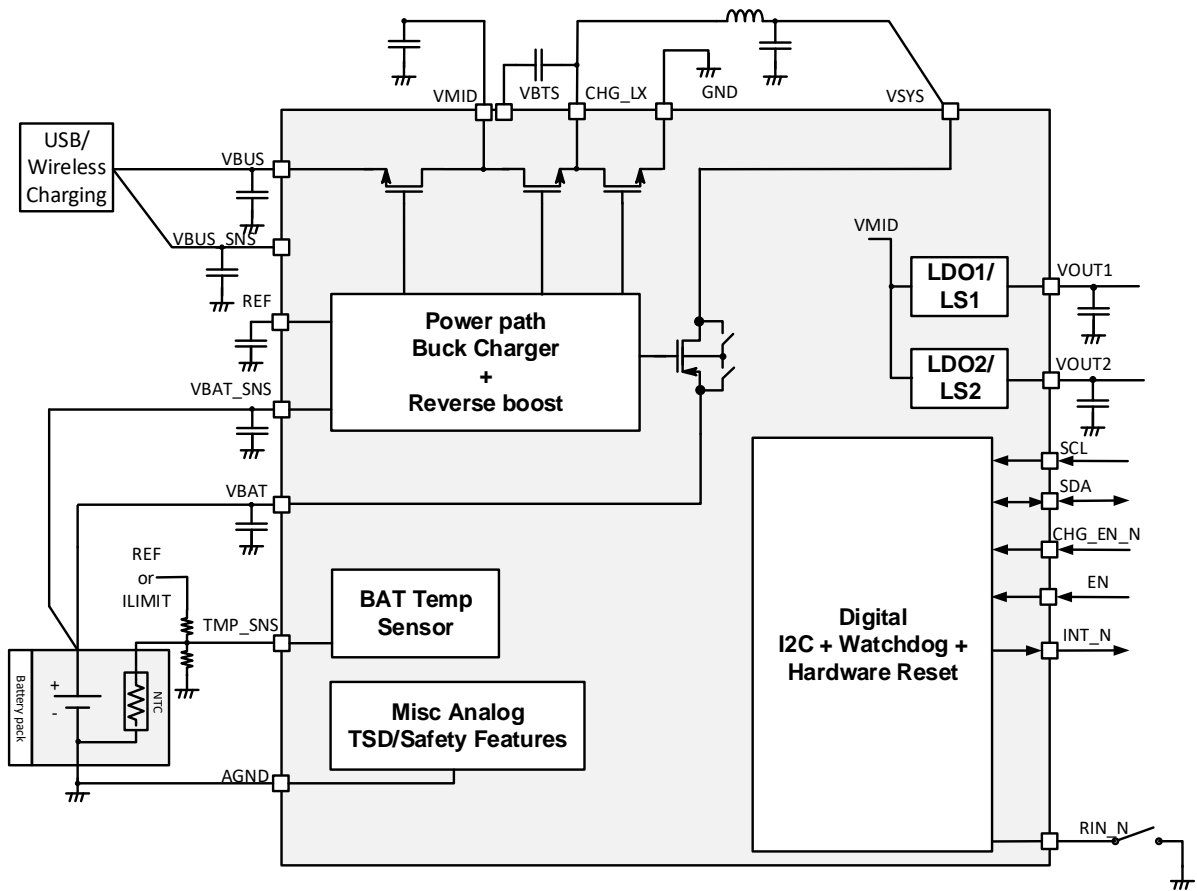


Figure 1: System Diagram

1-Cell, 1.5 A Battery Charger PMIC with 20 mA Termination, Ultra-Low IQ Reverse Boost, and I2C

Contents

General Description	1
Key Features	1
Applications	1
System Diagram	2
1 Terms and Definitions	7
2 Pinout	8
3 Characteristics	10
3.1 Absolute Maximum Ratings	10
3.2 Electrostatic Discharge Ratings	10
3.3 Recommended Operating Conditions	10
3.4 Electrical Characteristics	11
3.4.1 Power Consumption	11
3.4.2 Supervisors	12
3.4.3 Power Path	13
3.4.4 Buck-Charger	14
3.4.5 Reverse Boost Mode	15
3.4.6 Charger	16
3.4.7 LDOs	19
3.4.8 Battery Temperature Sensor	21
3.4.9 Hardware Reset	21
3.4.10 Ship Mode	22
3.4.11 Watchdog	22
3.4.12 Digital Interface	23
3.5 Thermal Characteristics	23
4 Functional Description	24
4.1 Overview	24
4.1.1 Power-On-Reset	24
4.1.2 Active Battery Operation	24
4.1.3 Active Power Operation	27
4.2 Battery Protection	28
4.2.1 E_VBAT_UV Event	28
4.2.2 E_VBAT_OV Event	28
4.2.3 Battery Temperature Sensing	28
4.2.4 TMP_SNS Pin Resistor Network	29
4.3 Dynamic Power Management	30
4.3.1 VINDPM Threshold	30
4.4 Charging Operation	31
4.4.1 Battery Charging Process	31
4.4.2 Trickle and Pre-Charge Low-Level Currents in Pre-Charge Mode	32
4.4.3 Fast Charge Mode	33
4.4.4 Charge Halt	34
4.4.5 Power Cycling	34
4.4.6 Safety Timers	35
4.4.7 VMID OV	35

1-Cell, 1.5 A Battery Charger PMIC with 20 mA Termination, Ultra-Low IQ Reverse Boost, and I2C

4.4.8	SLEEP	35
4.4.9	SPLMT	35
4.4.10	TS_HOT / TS_COLD	35
4.4.11	TS_COOL	36
4.4.12	TS_WARM	36
4.4.13	LDO1 / LDO2 OC	36
4.4.14	REF OC	36
4.5	LDOs / Load Switches	37
4.6	Host and Push Button Communication	37
4.6.1	EN Pin Behavior	37
4.6.2	INT_N Pin Behavior	38
4.6.3	RIN_N Behavior	38
4.7	I ² C Communication	39
4.8	Thermal Protection	42
4.9	Watchdog Behavior	42
5	Register Definitions	43
5.1	Register Map	43
5.2	Register Descriptions	46
5.2.1	System Status	46
5.2.2	System Events	51
5.2.3	Interrupt Masks	56
5.2.4	System Settings	60
5.2.5	Charger Settings	67
5.2.6	LDO Settings	82
5.2.7	Chip ID	88
6	Package Information	89
6.1	Package Outlines	89
7	Ordering Information	90
8	Application Information	90
8.1	Recommended External Components	90

Figures

Figure 1: System Diagram	2
Figure 2: Pinout Diagram (Top View)	8
Figure 3: Regions of Operation	24
Figure 4: Ship Mode	25
Figure 5: Standby Mode	26
Figure 6: Reverse Boost Mode	26
Figure 7: Active Power (Charge Case)	27
Figure 8: Hi-Z Mode	28
Figure 9: Battery Temperature Sensing with NTC	30
Figure 10: Charger Profile, State, and INT_N (Event)	31
Figure 11: Charger Control, State	32
Figure 12: Trickle Charge Behavior	33
Figure 13: Digital Pin Connections	37
Figure 14: EN Pin Example	38

1-Cell, 1.5 A Battery Charger PMIC with 20 mA Termination, Ultra-Low IQ Reverse Boost, and I2C

Figure 15: RIN_N reset Registers and VSYS.....	38
Figure 16: I ² C Start (S) and Stop (P).....	39
Figure 17: Single Write Command	40
Figure 18: Consecutive Write Command	40
Figure 19: Single Read Command	40
Figure 20: Consecutive Read Command	41
Figure 21: WLCSP Package Outline Diagram	89

Tables

Table 1: Pin Description	8
Table 2: Pin Type Definition	9
Table 3: Absolute Maximum Ratings.....	10
Table 4: Electrostatic Discharge Ratings	10
Table 5: Recommended Operating Conditions	10
Table 6: Power Consumption Characteristics	11
Table 7: Supervisors Electrical Characteristics	12
Table 8: Power Path Electrical Characteristics	13
Table 9: Buck Charger Electrical Characteristics	14
Table 10: Reverse Boost Mode Electrical Characteristics	15
Table 11: Charger Electrical Characteristics	16
Table 12: REFLDO Electrical Characteristics	19
Table 13: LDO1 Electrical Characteristics.....	19
Table 14: LDO2 Electrical Characteristics.....	20
Table 15: Battery Temp Sensor Electrical Characteristics.....	21
Table 16: Hardware Reset Characteristics.....	21
Table 17: Ship Mode Characteristics	22
Table 18: Watchdog Characteristics	22
Table 19: Digital I/O Electrical Characteristics	23
Table 20: Package Ratings	23
Table 21: Battery Thermal Protection Measures.....	29
Table 22: Charge Status.....	31
Table 23: System Status Affecting Charging.....	34
Table 24: Safety Timer Register Settings.....	35
Table 25: Digital Pins for Host and Pushbutton Interface	37
Table 26: Register Map	43
Table 27: Register Access Type	46
Table 28: PMC_STATUS_00 (0x0000)	46
Table 29: PMC_STATUS_01 (0x0001)	47
Table 30: PMC_STATUS_02 (0x0002)	48
Table 31: PMC_STATUS_03 (0x0003)	49
Table 32: PMC_STATUS_04 (0x0004)	50
Table 33: PMC_EVENT_00 (0x0005)	51
Table 34: PMC_EVENT_01 (0x0006)	52
Table 35: PMC_EVENT_02 (0x0007)	53
Table 36: PMC_EVENT_03 (0x0008)	54
Table 37: PMC_EVENT_04 (0x0009)	55
Table 38: PMC_MASK_00 (0x000A).....	56
Table 39: PMC_MASK_01 (0x000B).....	57
Table 40: PMC_MASK_02 (0x000C)	58
Table 41: PMC_MASK_03 (0x000D)	59
Table 42: PMC_MASK_04 (0x000E).....	59
Table 43: PMC_SYS_00 (0x000F).....	60
Table 44: PMC_SYS_01 (0x0010).....	61
Table 45: PMC_SYS_02 (0x0011).....	63
Table 46: PMC_SYS_03 (0x0012).....	64

1-Cell, 1.5 A Battery Charger PMIC with 20 mA Termination, Ultra-Low IQ Reverse Boost, and I2C

Table 47: PMC_SYS_04 (0x0013)	64
Table 48: PMC_SYS_05 (0x0014)	65
Table 49: PMC_SYS_06 (0x0015)	66
Table 50: PMC_CHG_00 (0x0016)	67
Table 51: PMC_CHG_01 (0x0017)	68
Table 52: PMC_CHG_02 (0x0018)	69
Table 53: PMC_CHG_03 (0x0019)	70
Table 54: PMC_CHG_04 (0x001A)	75
Table 55: PMC_CHG_05 (0x001B)	77
Table 56: PMC_CHG_06 (0x001C)	77
Table 57: PMC_LDO_00 (0x001D)	82
Table 58: PMC_LDO_01 (0x001E)	83
Table 59: PMC_LDO_02 (0x001F)	84
Table 60: PMC_LDO_04 (0x0021)	86
Table 61: PMC_LDO_05 (0x0022)	87
Table 62: OTP_DEVICE_ID (0x0042)	88
Table 63: OTP_VARIANT_ID (0x0043)	88
Table 64: OTP_CONFIG_ID (0x0044)	88
Table 65: Ordering Information	90
Table 66: Recommended External Components	90

1-Cell, 1.5 A Battery Charger PMIC with 20 mA Termination, Ultra-Low IQ Reverse Boost, and I2C

1 Terms and Definitions

BATFET	Battery field effect transistor
BMIC	Battery management IC
CHG	Charger or charge
FET	Field effect transistor
IC	Integrated circuit
I2C	Inter-integrated circuit
IINDPM	Dynamic power management input current
JEITA	Japan Electronics and Information Technology Industries Association
LDO	Low dropout regulator
MOSFET	Metal oxide semiconductor FET
OC	Over-current
OK	Okay (operating within specified range)
OV	Over voltage
PFM	Pulse frequency modulation
SPLMT	Supplement (mode)
TS	Temperature sensor
TSD	Temperature shutdown
USB	Universal Serial Bus
USB-PD	USB Power Delivery
USB-OTG	USB On-the-Go
UV	Under voltage
VINDPM	Dynamic power management input voltage
WLCSP	Wafer level chip scale package

1-Cell, 1.5 A Battery Charger PMIC with 20 mA Termination, Ultra-Low IQ Reverse Boost, and I2C

2 Pinout

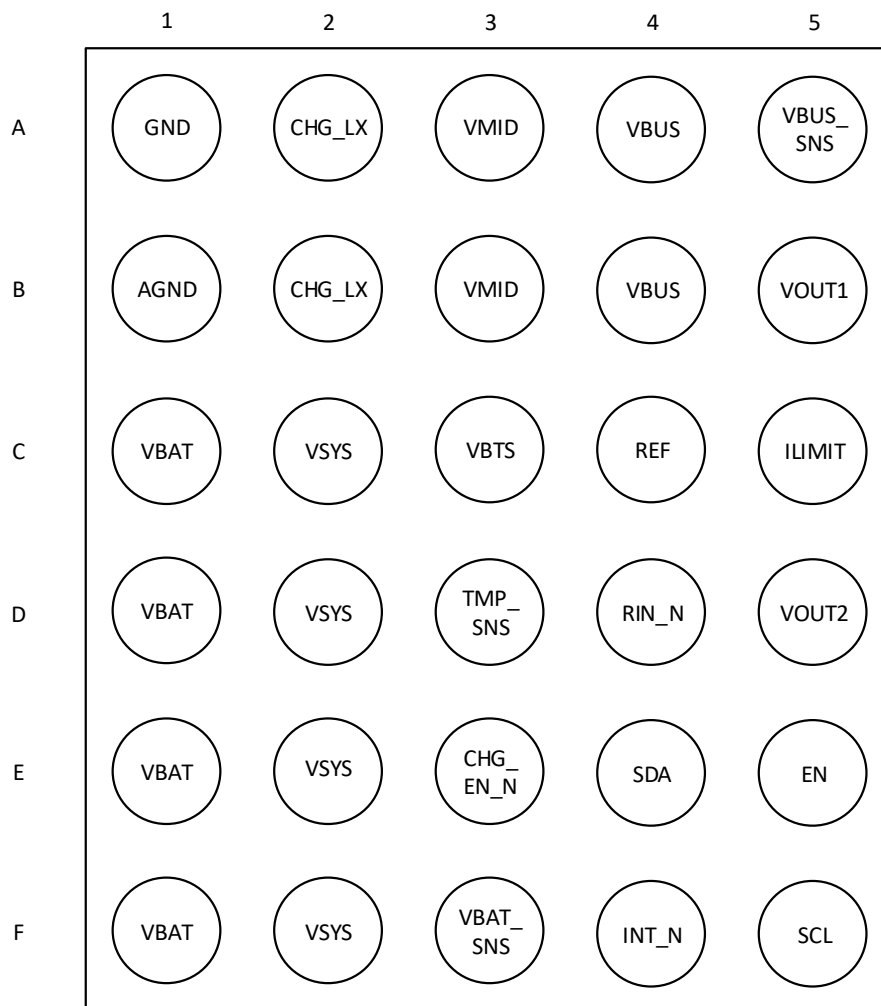


Figure 2: Pinout Diagram (Top View)

Table 1: Pin Description

Pin No.	Pin Name	Type (Table 2)	Description
A1, B1	GND, AGND	GND	Power ground for the buck charger. Connect to the buck input capacitor and ground plane.
A4, B4	VBUS	PWR	Input power supply.
A5	VBUS_SNS	PWR	VBUS voltage sense connection.
C2, D2, E2, F2	VSYS	PWR	VSYS is the intermediate rail.
C3	VBTS	PWR	High side driver positive supply. Internally, VBTS is connected to the cathode of the bootstrap diode.
A3, B3	VMID	PWR	Input of the buck charger.
A2, B2	CHG_LX	PWR	Buck charger switching node. Connect to the inductor.

1-Cell, 1.5 A Battery Charger PMIC with 20 mA Termination, Ultra-Low IQ Reverse Boost, and I2C

C4	REF	PWR	Low side driver positive supply output. Internally, REF is connected to the anode of the bootstrap diode. The capacitor should be placed close to the IC.
C1, D1, E1, F1	VBAT	PWR	Battery connection. Connect to the positive terminal of the battery.
F3	VBAT_SNS	AI	Battery voltage sense connection. Connect to the positive battery terminal.
D3	TMP_SNS	AI	Battery pack NTC monitor. Connect to a resistive network and thermistor.
D4	RIN_N	DI	Manual reset input pin. RIN_N is internally pulled high. Pulling this pin low wakes up the device from Ship mode or performs a reset.
E4	SDA	DIO	I ² C interface data. Connect SDA to the logic rail through a 2 kΩ to 10 kΩ pull-up resistor.
F5	SCL	DI	I ² C interface clock. Connect SCL to the logic rail through a 2 kΩ to 10 kΩ pull-up resistor.
E3	CHG_EN_N	DI	Charger enable. Charging enable when CHG_EN_N is Low. Charging disable when CHG_EN_N is High.
F4	INT_N	DO	Open-drain interrupt output. Connect the INT_N to a logic rail through 10 kΩ resistor. The INT_N pin sends an active low, 256 μs pulse to host to report charger device status and fault.
C5	ILIMIT	AI	Input current limit setting pin. Connect a resistor between ILIMIT and ground to set the VBUS current limit (IINDPM). Alternatively, short this pin to ground to allow IINDPM to be programmed by register. Note: In the current OTP variant, ILIMIT pin is only used as TMP_SNS divider resistors power rail. Please refer to Figure 1 .
D5	VOUT2	PWR	Load switch or LDO2 output. Bypass to ground.
B5	VOUT1	PWR	Load switch or LDO1 output. Bypass to ground.
E5	EN	DI	Enable pin for reverse boost, LDO1, and LDO2.

Table 2: Pin Type Definition

Pin Type	Description	Pin Type	Description
DI	Digital input	AI	Analog input
DO	Digital output	PWR	Power
DIO	Digital input/output	GND	Ground

1-Cell, 1.5 A Battery Charger PMIC with 20 mA Termination, Ultra-Low IQ Reverse Boost, and I2C

3 Characteristics

3.1 Absolute Maximum Ratings

Stresses beyond those listed under Absolute Maximum Ratings may cause permanent damage to the device. These are stress ratings only, so functional operation of the device at these or any other conditions beyond those indicated in the operational sections of the specification are not implied. Exposure to Absolute Maximum Rating conditions for extended periods may affect device reliability.

Table 3: Absolute Maximum Ratings

Parameter	Description	Conditions	Min	Max	Unit
T _S	Storage temperature		-55	150	°C
V _{BUS}	VBUS, VBUS_SNS	Device disabled	-6	22	V
V _{MID}	VMID supply voltage	Device disabled	-0.3	22	V
V _{MID_VBUS}	VMID to VBUS voltage	Device disabled	-0.3	18	V
V _{BAT}	VBAT, VBAT_SNS		-0.3	6	V
V _{SYS}	VSYS, VOUT1, VOUT2		-0.3	6	V
V _{IO}	All IO pins (unless otherwise stated)		-0.3	6	V
V _{BTS}	VBTS supply voltage	Not switching	V _{REF} -0.3	22	V
V _{BTS_VCHG_LX}	VBTS to CHG_LX voltage		-0.3	6	V
V _{CHG_LX}	CHG_LX		-2	16	V
V _{REF}	REF supply voltage		-0.3	6	V

3.2 Electrostatic Discharge Ratings

Table 4: Electrostatic Discharge Ratings

Parameter	Description	Conditions	Value	Unit
ESD _{HBM}	Maximum ESD protection	Human body model (HBM). All exposed pins.	2.0	kV
ESD _{CDM}	Maximum ESD protection	Charged device model (CDM)	0.5	kV

3.3 Recommended Operating Conditions

Table 5: Recommended Operating Conditions

Parameter	Description	Conditions	Min	Typ	Max	Unit
T _A	Ambient temperature		-40	25	85	
T _J	Operating junction temperature		-40		105	°C
V _{BUS}	VBUS voltage	Including OV range	4	5	10.5	V
	VBUS operating voltage		4	5	10	V
V _{BAT}	Battery voltage	VBUS supplied	0	3.6	4.5	V
	Battery voltage	Active Battery mode	2.8	3.6	4.5	V

1-Cell, 1.5 A Battery Charger PMIC with 20 mA Termination, Ultra-Low IQ Reverse Boost, and I2C

Parameter	Description	Conditions	Min	Typ	Max	Unit
		VBUS not supplied				
V _{DDIO}	IO voltage	V _{DDIO} < REF or V _{BAT} , whichever is greater		1.8		V

3.4 Electrical Characteristics

T_J = -40 °C to +105 °C; T_A = -40 °C to +85 °C (typ = 25 °C) unless otherwise noted.

3.4.1 Power Consumption

Table 6: Power Consumption Characteristics

Parameter	Description	Conditions	Min	Typ	Max	Unit
Electrical Performance						
I _{Q_STANDBY_BAT}	Quiescent current from V _{BAT} in Standby mode	V _{BAT} = 3.6 V STANDBY mode T _J < 85 °C			15	μA
I _{Q_BAT_IDLE}	Battery supply current	Reverse Boost mode No load V _{BUS} = 0 V, V _{BAT} = 4.0 V T _J < 85 °C REV_VBUS_EN = 0x0		25	60	μA
I _{Q_BUS_IDLE}	Supply current from V _{BUS}	V _{BUS} = 5 V V _{BAT} = 3.7 V Charger disabled I _{SYS} = 0 A Average over 1 s T _J < 85 °C			3	mA
I _{Q_BAT_SHIP}	Ship mode current from V _{BAT}	V _{BUS} = 0 V V _{BAT} = 3.6 V T _J < 85 °C		0.1	1	μA
I _{Q_BUS_HIZ}	I _Q from V _{BUS}	V _{BUS} = 5 V V _{BAT} = 3.6 V V _{MID} = 5.2 V V _{MID} > V _{BUS} T _J < 85 °C			60	μA

1-Cell, 1.5 A Battery Charger PMIC with 20 mA Termination, Ultra-Low IQ Reverse Boost, and I2C

3.4.2 Supervisors

Table 7: Supervisors Electrical Characteristics

Parameter	Description	Conditions	Min	Typ	Max	Unit
Electrical Performance						
V _{BAT_SHRT_THR}	Falling threshold voltage when charge profile changes from PRE CHARGE to TRICKLE CHARGE			2		V
V _{BAT_SHRT_HYS}	Hysteresis of V _{BAT_SHRT}			0.25		V
V _{BAT_UV_FALL}	Falling threshold range of V _{BAT} under-voltage protection			2.8		V
V _{BAT_UV_RISE}	Rising threshold range of V _{BAT} under-voltage protection			3		V
V _{BAT_UV_HYS}	Hysteresis of V _{BAT_UV}			200		mV
V _{BAT_OV_RISE}	Rising threshold range of V _{BAT} over-voltage protection			4.6		V
V _{BAT_OV_HYS}	Hysteresis of V _{BAT_OV}			50		mV
V _{SYS_UV_FALL}	Falling threshold range of V _{SYS} under-voltage protection			2.7		V
V _{SYS_UV_HYS}	Hysteresis of V _{SYS_UV}			200		mV
V _{SYS_OV_RISE}	Rising threshold range of V _{SYS} over-voltage protection			4.8		V
V _{SYS_OV_HYS}	Hysteresis of V _{SYS_OV}			50		mV
T _{CRIT_TSD}	Critical temperature where the system shuts down		115	125	135	°C
T _{WARN_TSD}	Warning temperature			90		°C
T _{HYS_TSD}	Hysteresis temperature			15		°C

1-Cell, 1.5 A Battery Charger PMIC with 20 mA Termination, Ultra-Low IQ Reverse Boost, and I2C

3.4.3 Power Path

Table 8: Power Path Electrical Characteristics

Parameter	Description	Conditions	Min	Typ	Max	Unit
Electrical Performance						
t _{RES_VBUS_OV_RISE}	V _{BUS} over-voltage response time, rise				200	ns
t _{d_VBUS_UV_RISE}	V _{BUS} monitoring deglitch time (applies to V _{BUS_UV})	Selected by VBUS_DEB 10, 20, 100 (default) or 200 ms	10	100	200	ms
t _{d_VBUS_OV_FALL}	V _{BUS} over-voltage deglitch time, fall	Selected by VBUS_DEB 10, 20, 100 (default) or 200 ms	10	100	200	ms
V _{BUS_UV_FALL}	Falling threshold of V _{BUS_UV}			4		V
V _{BUS_UV_RISE}	Rising threshold of V _{BUS_UV}			4.2		V
V _{BUS_UV_HYS}	Hysteresis of V _{BUS_UV}			200		mV
V _{BUS_OV_RISE_1}	Rising threshold range of V _{BUS} over-voltage protection	Set VBUS_OVSEL = 0x0	5.6	5.8		V
V _{BUS_OV_RISE_2}	Rising threshold range of V _{BUS} over-voltage protection	Set VBUS_OVSEL = 0x1	6.2	6.53		V
V _{BUS_OV_RISE_3}	Rising threshold range of V _{BUS} over-voltage protection	Set VBUS_OVSEL = 0x2	8.5	8.95		V
V _{BUS_OV_RISE_4}	Rising threshold range of V _{BUS} over-voltage protection	Set VBUS_OVSEL = 0x3	10.5	11.05		V
V _{BUS_OV_RISE_ACC}	Accuracy of V _{BUS_OV}		-5		5	%
V _{BUS_OV_HYS}	Hysteresis of V _{BUS_OV}			200		mV
R _{ON_VBUS}	On resistance	V _{BUS} = 5 V		40		mΩ

1-Cell, 1.5 A Battery Charger PMIC with 20 mA Termination, Ultra-Low IQ Reverse Boost, and I2C

3.4.4 Buck-Charger

Table 9: Buck Charger Electrical Characteristics

Parameter	Description	Conditions	Min	Typ	Max	Unit
Electrical Performance						
V _{SYS_REG}	Buck output voltage regulation	V _{BAT} > V _{CHG_FAST_THR}		V _{BAT} + 50 mV		V
V _{SYS_MAX}	Maximum V _{sys} operation voltage during charging				4.6	V
V _{SYS_MIN_RNG}	Minimum buck output voltage selectable range	V _{BAT} < V _{CHG_FAST_THR} Set by bit V _{SYS_MIN} in 100 mV/step	3.4		3.7	V
V _{INDPM_RNG}	VINDPM threshold when the input current is reduced.	Set by bit VINDPM in 100 mV/step	3.8		4.8	V
V _{INDPM_ACC}	Accuracy VINDPM threshold		-3		3	%
I _{INDPM_RNG}	Average V _{BUS} current limit threshold range	V _{BUS} = 5 V	0.1	0.5	2.5	A
I _{INDPM_ACC_LO}	Accuracy of average V _{BUS} current limit threshold	I _{BUS} ≤ 0.5 A	-60		0	mA
I _{INDPM_ACC_HI}	Accuracy of average V _{BUS} current limit threshold	I _{BUS} > 0.5 A	-15		0	%
f _{BUCK}	Effective buck switching frequency			2.25		MHz
I _{OUT_MAX_BUCK}	Maximum output current	V _{BUS} = 5 V V _{sys_MIN} = 3.7 V V _{BAT} = 0 V I _{INDPM} = 2.5 A (I _{INDPM} = 0x18) VINDPM = 0x00 (disabled)	2			A
η _{BUCK_0.01A}	Buck Efficiency1	V _{BUS} = 5 V V _{BAT} = 4 V I _{CHG} = 0.01 A I _{sys} = 0 A Measured from V _{BUS} to V _{BAT}		40		%
η _{BUCK_0.5A}	Buck Efficiency2	V _{BUS} = 5 V V _{BAT} = 4 V I _{CHG} = 0.5 A I _{sys} = 0 A Measured from V _{BUS} to V _{BAT}		92		%

1-Cell, 1.5 A Battery Charger PMIC with 20 mA Termination, Ultra-Low IQ Reverse Boost, and I2C

Parameter	Description	Conditions	Min	Typ	Max	Unit
$\eta_{\text{BUCK_1.5A}}$	Buck Efficiency ³	$V_{\text{BUS}} = 5 \text{ V}$ $V_{\text{BAT}} = 4 \text{ V}$ $I_{\text{CHG}} = 1.5 \text{ A}$ $I_{\text{SYS}} = 0 \text{ A}$ Measured from VBUS to VBAT		89		%

3.4.5 Reverse Boost Mode

Table 10: Reverse Boost Mode Electrical Characteristics

Parameter	Description	Conditions	Min	Typ	Max	Unit
Electrical Performance						
$V_{\text{OUT_RBSST}}$	V_{MID} output voltage regulation			5		V
$V_{\text{OUT_RBSST_RNG}}$	V_{MID} output voltage regulation range in Reverse Boost mode	$3.3 \text{ V} < V_{\text{IN}} < 4.45 \text{ V}$ Set by bit BOOST_VOUT in 100 mV/step	4		5.5	V
$V_{\text{OUT_RBSST_ACC}}$	V_{MID} output voltage regulation accuracy	$V_{\text{IN}} = 4 \text{ V}$ $V_{\text{OUT}} = 5 \text{ V}$ No load	-2.5		2.5	%
$I_{\text{OUT_MAX_RBSST}}$	Maximum output current in Reverse Boost mode	$V_{\text{IN}} = 3.8 \text{ V}$ $V_{\text{OUT}} = 5 \text{ V}$	700			mA
$V_{\text{OUT_REV_VBUS}}$	VBUS voltage regulation in REV_VBUS mode	BOOST_VOUT = 0xA (5.0 V Reverse Boost output) $0 < I_{\text{OUT_VBUS}} < 0.7 \text{ A}$	4.7		5.15	V
f_{RBSST}	Effective reverse boost switching frequency			0.9		MHz
$\eta_{\text{RBSST_1mA}}$	Boost efficiency	$I_{\text{REV}} = 1 \text{ mA}$ $V_{\text{IN}} = 3.8 \text{ V}$ $V_{\text{OUT}} = 5 \text{ V}$		90		%
$\eta_{\text{RBSST_10mA}}$	Boost efficiency	$I_{\text{REV}} = 10 \text{ mA}$ $V_{\text{IN}} = 3.8 \text{ V}$ $V_{\text{OUT}} = 5 \text{ V}$		90		%
$\eta_{\text{RBSST_100mA}}$	Boost efficiency	$I_{\text{REV}} = 100 \text{ mA}$ $V_{\text{IN}} = 3.8 \text{ V}$ $V_{\text{OUT}} = 5 \text{ V}$		90		%
$t_{\text{STARTUP_EN}}$	Total time for reverse-boost and load switch complete start-up from EN rise edge	$V_{\text{MID}} = 5.0 \text{ V}$ $C_{\text{VMID}} = 20 \mu\text{F}$ $C_{\text{LDO}} = 2.2 \mu\text{F}$ $V_{\text{BAT}} > 3.3 \text{ V}$			1	ms

1-Cell, 1.5 A Battery Charger PMIC with 20 mA Termination, Ultra-Low IQ Reverse Boost, and I2C

3.4.6 Charger

Table 11: Charger Electrical Characteristics

Parameter	Description	Conditions	Min	Typ	Max	Unit
Electrical Performance						
V _{BUS_SLEEP_THR}	Sleep mode threshold (Force VBAT operation)	V _{BUS} falling Value = V _{BUS} - V _{BAT}		60		mV
V _{BUS_SLEEP_HYS}	Sleep mode hysteresis	V _{BUS} rising Value = V _{BUS} - V _{BAT}		160		mV
V _{CHG_FAST_THR}	Voltage threshold when charge profile changes from PRE CHARGE to FAST CHARGE(CC)	V _{BAT} rising	3	3.1	3.2	V
V _{CHG_FAST_HYS}	Fast charge hysteresis	V _{BAT} falling		300		mV
V _{CHG_RCHG_THR_0}	Recharge threshold	CHG_VRCHG = 0x0 (default)		100		mV
V _{CHG_RCHG_THR_1}	Recharge threshold	CHG_VRCHG = 0x1		200		mV
I _{CHG_RNG}	Charge range with 20 mA/step		20		1500	mA
I _{CHG_TER_RNG_0}	Charge termination smaller current threshold range with 20 mA/step Set by CHG_ITERM	CHG_RANGE_TERM = 0x1	20		40	mA
I _{CHG_TER_ACC_0}	Charge termination current accuracy of smaller current threshold range	CHG_RANGE_TERM = 0x1	-5		5	mA
I _{CHG_TER_RNG_1}	Charge termination larger current threshold range with 20 mA/step Set by CHG_ITERM	CHG_RANGE_TERM = 0x1	60		100	mA
I _{CHG_TER_ACC_1}	Charge termination current accuracy of larger current threshold range	CHG_RANGE_TERM = 0x1	-25		25	%
I _{CHG_FAST_0}	Fast charge current with 20 mA/step, smaller current threshold range Set by CHG_ICHG	CHG_RANGE = 0x1 V _{BAT} > V _{CHG_FAST_THR}	80		500	mA

1-Cell, 1.5 A Battery Charger PMIC with 20 mA Termination, Ultra-Low IQ Reverse Boost, and I2C

Parameter	Description	Conditions	Min	Typ	Max	Unit
I _{CHG_FAST_ACC_0}	Fast charge current accuracy of smaller current threshold range	CHG_RANGE = 0x1 V _{BAT} > V _{CHG_FAST_THR}	-8		8	%
I _{CHG_FAST_1}	Fast charge current with 20 mA/step, larger current threshold range Set by CHG_ICHG	CHG_RANGE = 0x1 V _{BAT} > V _{CHG_FAST_THR}	520		1500	mA
I _{CHG_FAST_ACC_1}	Fast charge current accuracy of larger current threshold range	CHG_RANGE = 0x1 V _{BAT} > V _{CHG_FAST_THR}	-5		5	%
I _{CHG_PRE_RNG}	Pre-charge current range with 20 mA step	CHG_RANGE = 0x1 AND CHG_RANGE_PRE = 0x1 V _{BAT_SHRT_THR} < V _{BAT} < V _{CHG_FAST_THR} CHG_IPRE_MSB = 0x0, selectable range from 0 mA to 60 mA CHG_IPRE_MSB = 0x1, selectable range from 80 mA to 140 mA	0		140	mA
I _{CHG_PRE_ACC}	Pre-charge current accuracy	CHG_RANGE_PRE = 0x1 V _{BAT_SHRT_THR} < V _{BAT} < V _{CHG_FAST_THR}	-10		10	%
I _{CHG_RNG_SMALL}	Charge range with 5 mA/step		5		500	mA
I _{CHG_TER_RNG_SMALL_0}	Charge termination smaller current threshold range with 5 mA/step Set by CHG_ITERM	CHG_RANGE_TERM = 0x0	5		10	mA
I _{CHG_TER_ACC_SMALL_0}	Charge termination current accuracy of smaller current threshold range	CHG_RANGE_TERM = 0x0	-5		5	mA
I _{CHG_TER_RNG_SMALL_1}	Charge termination larger current threshold range with 5 mA/step Set by CHG_ITERM	CHG_RANGE_TERM = 0x0	15		25	mA
I _{CHG_TER_ACC_SMALL_1}	Charge termination current accuracy of larger current threshold range	CHG_RANGE_TERM = 0x0	-25		25	%

1-Cell, 1.5 A Battery Charger PMIC with 20 mA Termination, Ultra-Low IQ Reverse Boost, and I2C

Parameter	Description	Conditions	Min	Typ	Max	Unit
I _{CHG_FAST_SMALL_0}	Fast charge current with 5 mA/step, smaller current threshold range Set by CHG_ICHG	CHG_RANGE = 0x0 V _{BAT} > V _{CHG_FAST_THR}	20		125	mA
I _{CHG_FAST_ACC_SMALL_0}	Fast charge current accuracy of smaller current threshold range	CHG_RANGE = 0x0 V _{BAT} > V _{CHG_FAST_THR}	-8		8	%
I _{CHG_FAST_SMALL_1}	Fast charge current with 5 mA/step, smaller current threshold range Set by CHG_ICHG	CHG_RANGE = 0x0 V _{BAT} > V _{CHG_FAST_THR}	130		500	mA
I _{CHG_FAST_ACC_SMALL_1}	Fast charge current accuracy of smaller current threshold range	CHG_RANGE = 0x0 V _{BAT} > V _{CHG_FAST_THR}	-5		5	%
I _{CHG_PRE_RNG_SMALL}	Pre-charge current range with 5 mA step	CHG_RANGE = 0x0 OR CHG_RANGE_PRE = 0x0 V _{BAT_SHRT_THR} < V _{BAT} < V _{CHG_FAST_THR} CHG_IPRE_MSB = 0x0, selectable range from 0 mA to 15 mA CHG_IPRE_MSB = 0x1, selectable range from 20 mA to 35 mA	0		35	mA
I _{CHG_PRE_ACC_SMALL}	Pre-charge current accuracy	CHG_RANGE_PRE = 0x0 V _{BAT_SHRT_THR} < V _{BAT} < V _{CHG_FAST_THR}	-10		10	%
I _{CHG_TRI}	Average trickle charge current Selectable by CHG_TRICKLE: (2.5 / 7 / 19 / 32) mA with CHG_TRICKLE_CY C=1 (5 / 14 / 38 / 64) mA with CHG_TRICKLE_CY C=0	V _{BAT} < V _{BAT_SHRT_THR}	2.5	2.5	32	mA
I _{CHG_TRI_ACC}	Trickle-charge current accuracy	V _{BAT} < V _{BAT_SHRT_THR}	-20		20	%
V _{CHG_BAT_REG}	Battery regulation voltage range with 10 mV step Set by CHG_VBATREG		4	4.2	4.5	V

1-Cell, 1.5 A Battery Charger PMIC with 20 mA Termination, Ultra-Low IQ Reverse Boost, and I2C

Parameter	Description	Conditions	Min	Typ	Max	Unit
V _{CHG_BAT_REG_ACC}	Battery regulation voltage accuracy	0 °C < T _A < 60 °C	-0.5		0.5	%
R _{ON_BATFET}	Battery switch on resistance	V _{BAT} = 4.2 V		19	29	mΩ
I _{BAT_OCP}	Discharge current limit with maximum setting		5			A
t _{OUT_CHG_TOPOFF}	TOPOFF charging timeout Set by CHG_TOPOFF		0		60	min
t _{DEGLITCH_CHG_TER}	Termination current deglitch delay			50		ms
t _{DEGLITCH_RCHG}	Re-charge deglitch delay			30		ms

3.4.7 LDOs

3.4.7.1 REFLDO

Table 12: REFLDO Electrical Characteristics

Parameter	Description	Conditions	Min	Typ	Max	Unit
Electrical Performance						
I _{LIM_REF}	Current limit for REFLDO			70		mA
V _{OUT_REF_HI}	REF voltage	V _{BUS} = 9 V I _{REF} = 20 mA	4.75	5	5.25	V
V _{OUT_REF_LO}	REF voltage	V _{BUS} = 5 V I _{REF} = 20 mA	4.45	4.85	4.95	V
V _{REFLDO_ACC}	Accuracy of REFLDO output voltage regulation		-5		5	%

3.4.7.2 LDO1

Table 13: LDO1 Electrical Characteristics

Parameter	Description	Conditions	Min	Typ	Max	Unit
Electrical Performance						
I _{LIM_LDO1}	Current limit in LDO mode			300		mA
V _{OUT_LDO1}	LDO1 voltage output	Set by LDO1_VOUT, step size = 100 mV	1.6		5.2	V

1-Cell, 1.5 A Battery Charger PMIC with 20 mA Termination, Ultra-Low IQ Reverse Boost, and I2C

Parameter	Description	Conditions	Min	Typ	Max	Unit
V _{OUT_LDO1_ACC}	LDO1 voltage output accuracy	V _{IN_LDO} = 5.2 V V _{OUT_LDO} = 5.0 V I _{OUT} = 1 mA to 200 mA	-3		3	%
I _{OUT_LD_SW1}	Output current for load switch mode (LDO1)		350			mA
I _{OUT_LDO1}	Output current for LDO mode (LDO1)		200			mA

3.4.7.3 LDO2

Table 14: LDO2 Electrical Characteristics

Parameter	Description	Conditions	Min	Typ	Max	Unit
Electrical Performance						
I _{LIM_LDO2}	Current limit in LDO mode			300		mA
V _{OUT_LDO2}	LDO2 voltage output	Set by LDO2_VOUT, step size = 100 mV	1.6		5.2	V
V _{OUT_LDO2_ACC}	LDO2 voltage output accuracy	V _{IN_LDO} = 5.2 V V _{OUT_LDO} = 5.0 V I _{OUT} = 1 mA to 200 mA	-3		3	%
I _{OUT_LD_SW2}	Output current for load switch mode (LDO2)		350			mA
I _{OUT_LDO2}	Output current for LDO mode (LDO2)		200			mA

1-Cell, 1.5 A Battery Charger PMIC with 20 mA Termination, Ultra-Low IQ Reverse Boost, and I2C

3.4.8 Battery Temperature Sensor

Table 15: Battery Temp Sensor Electrical Characteristics

Parameter	Description	Conditions	Min	Typ	Max	Unit
Electrical Performance						
V _{TEMP_HI}	High temperature threshold	% of REF pin voltage	14.5	15	15.2	%
V _{TEMP_WARM}	Warm threshold	% of REF pin voltage	20.1	20.5	20.8	%
V _{TEMP_COOL}	Cool threshold	% of REF pin voltage	35.4	36	36.4	%
V _{TEMP_LO}	Low temperature threshold	% of REF pin voltage	39.3	39.8	40.2	%
V _{OFF_TEMP_SNS}	Temperature sensor disable threshold	% of REF pin voltage	55		60	%
t _{TEMP_SNS_DEGLITCH}	Temperature sensor deglitch time	Temperature sensor at any threshold		10		ms

3.4.9 Hardware Reset

Table 16: Hardware Reset Characteristics

Parameter	Description	Conditions	Min	Typ	Max	Unit
Electrical Performance						
t _{PRESS}	Pressing time to enter hardware reset	Selected by RST_TMR 4, 8, 12, or 20 s	4	12	20	s
t _{PRESS_ACC}	Pressing time accuracy			1		s
t _{SHDN}	Shut down time	Selected by SYS_WAIT 1, 2, 3, or 4 s	1	2	4	s
t _{SHDN_ACC}	Shut down time accuracy			0.5		s

1-Cell, 1.5 A Battery Charger PMIC with 20 mA Termination, Ultra-Low IQ Reverse Boost, and I2C

3.4.10 Ship Mode

Table 17: Ship Mode Characteristics

Parameter	Description	Conditions	Min	Typ	Max	Unit
Electrical Performance						
t_{D}	Delay time to enter Ship mode	Selected by SHIP_DLY 2, 4, 7, or 10 s	2	10	10	s
$t_{\text{EXIT_USB}}$	Time to exit Ship mode after USB plug-in (including debounce time)	Selected by VBUS_DEB 10, 20, 100 (default), or 200 ms		100		ms
$t_{\text{EXIT_KEY1}}$	Time to exit Ship mode after key press (including debounce time)	RIN_N_SHIP_EXIT_TMR = 0x0 (default)		2		s
$t_{\text{EXIT_KEY2}}$	Time to exit Ship mode after key press (including debounce time)	RIN_N_SHIP_EXIT_TMR = 0x1		20	50	ms

3.4.11 Watchdog

Table 18: Watchdog Characteristics

Parameter	Description	Conditions	Min	Typ	Max	Unit
Electrical Performance						
$t_{\text{PWR_OFF}}$	Power off time	Selectable by SYS_WAIT Step 1 s	1		4	s
t_{WD}	Watchdog time duration	Selectable by WD_TMR 40 s, 80 s, or 160 s	40	160	160	s
I_{Q}	Watchdog power consumption			5		μA

1-Cell, 1.5 A Battery Charger PMIC with 20 mA Termination, Ultra-Low IQ Reverse Boost, and I2C

3.4.12 Digital Interface

Table 19: Digital I/O Electrical Characteristics

Parameter	Description	Conditions	Min	Typ	Max	Unit
Electrical Performance						
R _{PU}	RIN_N pull-up resistor			120		kΩ
V _{IL}	Maximum input voltage level detected as logic LOW				0.54	V
V _{IH}	Minimum input voltage level detected as logic HIGH		1.26			V
t _{DEGLITCH_GPI_IN}	Deglintch time. Low / high pulse width shorter than this deglitch time is ignored.			10		μs
V _{OL_INT_N}	Output low voltage for INT_N				0.32	V
V _{OL_SDA}	Output low voltage SDA				0.32	V

3.5 Thermal Characteristics

Table 20: Package Ratings

Parameter	Description	Conditions	Min	Typ	Max	Unit
R _{TH_JA_A}	Junction-to-ambient thermal resistance	JEDEC 8-layer PCB, no airflow		34		°C/W
R _{PSI_JC}	Junction-to-case (top) thermal resistance	ΔJ _T		0.5		°C/W
R _{TH_JB}	Junction-to-board thermal resistance	1 mm from IC edge		10		°C/W
R _{TH_JA_B}	Junction-to-ambient thermal resistance	25 mm x 25 mm PCB, 8-layer, no airflow		79		°C/W

1-Cell, 1.5 A Battery Charger PMIC with 20 mA Termination, Ultra-Low IQ Reverse Boost, and I2C

4 Functional Description

4.1 Overview

In a typical application, the DA9168 manages two power inputs: a battery at VBAT and a USB supply at VBUS. The larger of these supplies feeds the system output voltage at VSYS. VSYS in turn is used as the input supply to the charger.

When USB power is present, the buck charger is active and VSYS is controlled by the buck charger. When USB power is not connected, VSYS tracks the battery voltage. The DA9168 actively manages this power path, reducing charging current and input current as necessary, and allowing VSYS to draw current from both supplies during peak loads.

The DA9168 has multiple configurable protection features including battery and input supply over current. All settings can be controlled by I²C.

As there are two input sources, the DA9168 has multiple regions of operation, see [Figure 3](#).

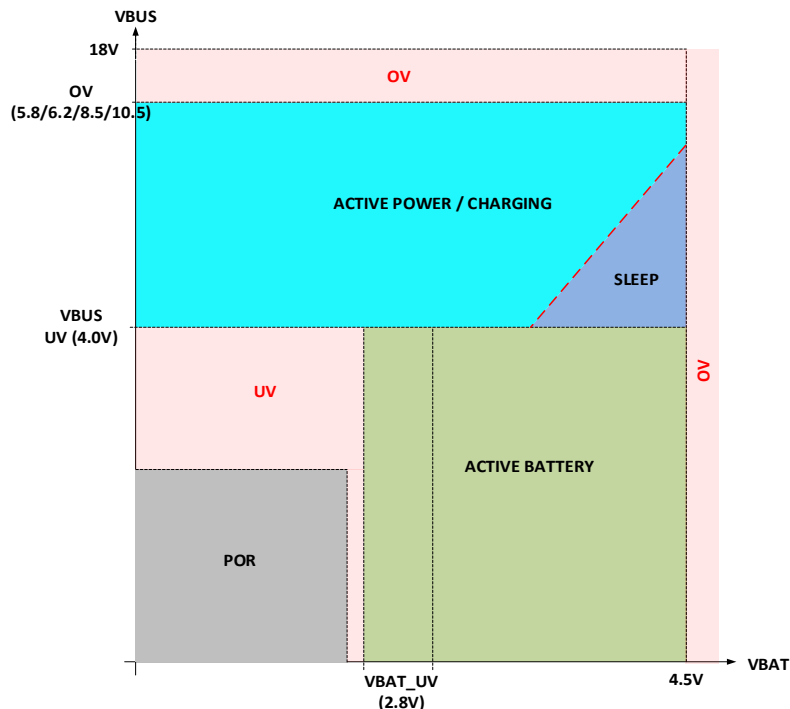


Figure 3: Regions of Operation

4.1.1 Power-On-Reset

During power-on-reset (PoR) the device powers internal bias circuits from the higher voltage of VBUS and VBAT. When VBUS rises above the VBUS under-voltage threshold $V_{BUS_UV_RISE}$ or when VBAT rises above the depletion threshold $V_{BAT_UV_RISE}$, the BATFET driver is active and the I²C interface is ready for communication.

4.1.2 Active Battery Operation

When the battery is present, and the VBAT voltage is above $V_{BAT_UV_RISE}$, BATFET turns on and connects the battery to the system. REFLDO remains in Standby mode to minimize the quiescent current. The low R_{DS_ON} of BATFET and the low quiescent current on VBAT minimize the conduction loss and maximize the battery run time.

1-Cell, 1.5 A Battery Charger PMIC with 20 mA Termination, Ultra-Low IQ Reverse Boost, and I2C

4.1.2.1 Ship Mode

Battery depletion can be minimized while the product sits on the shelf by placing the device into Ship mode, (an ultra-low leakage state), see [Figure 4](#).

The device enters Ship mode when SHIP_MODE is set to 1, power source is unplugged ($V_{BUS} < V_{BUS_UV_FALL}$) and RIN_N pin is set to 1. There is programmable entry delay, t_D , which can be selected by SHIP_DLY bits, and disable the delay by SHIP_DLY_DIS bit.

If a power source is plugged in or the RIN_N pin is 0, entry is delayed until power is removed and the RIN_N pin is 1. In Ship mode, the entire device is in a low-leakage state, drawing only 1 μA (max).

To exit Ship mode, apply a valid power source ($V_{BUS} > V_{BUS_UV_RISE}$) or toggle RIN_N low for more than the programmable delay time of either t_{EXIT_KEY1} or t_{EXIT_KEY2} .

- Ship mode: $I_Q < 1 \mu\text{A}$
 - No I²C access

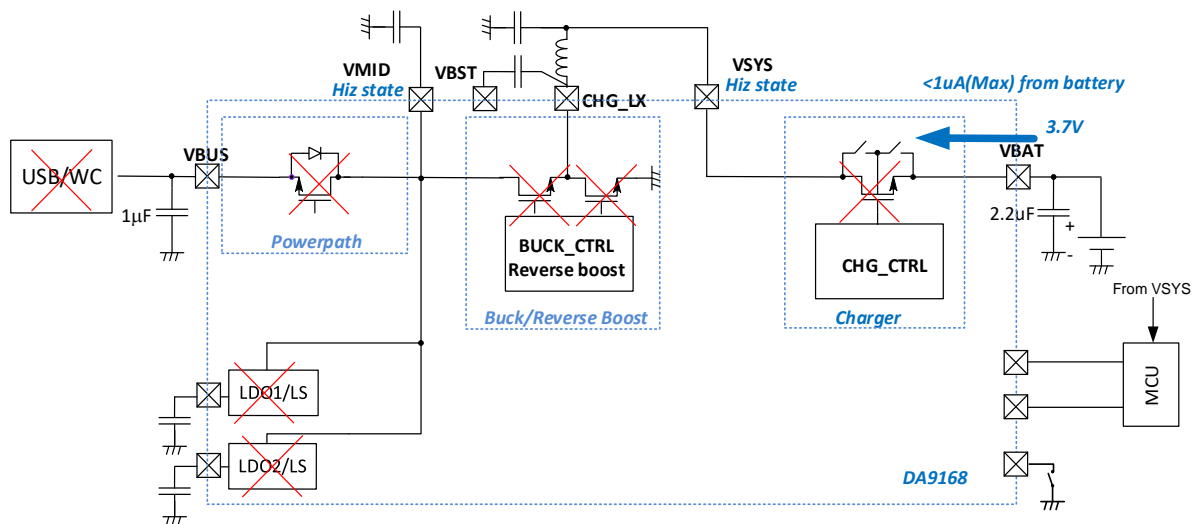


Figure 4: Ship Mode

The default delay time is t_{EXIT_KEY1} , (2 s, typical). If a quicker exit time from Ship mode (by using the RIN_N key) is required, the delay time can be set to t_{EXIT_KEY2} (20 ms, typical) by writing to bit RIN_N_SHIP_EXIT_TMR before entering Ship mode.

After configuring the delay time to t_{EXIT_KEY2} and entering Ship mode, the delay time remains set to t_{EXIT_KEY2} until Ship mode is exited. After Ship mode is exited, RIN_N_SHIP_EXIT_TMR resets to the OTP set time, t_{EXIT_KEY1} . It can be re-configured again to t_{EXIT_KEY2} ready for the next entry into Ship mode if required.

1-Cell, 1.5 A Battery Charger PMIC with 20 mA Termination, Ultra-Low IQ Reverse Boost, and I2C

4.1.2.2 Standby Mode

When only the battery is powering the system and there is no load, the device enters Standby mode. In this mode BATFET turns on, see [Figure 5](#).

- Standby mode with enabled Watchdog: $I_Q < 15 \mu\text{A}$

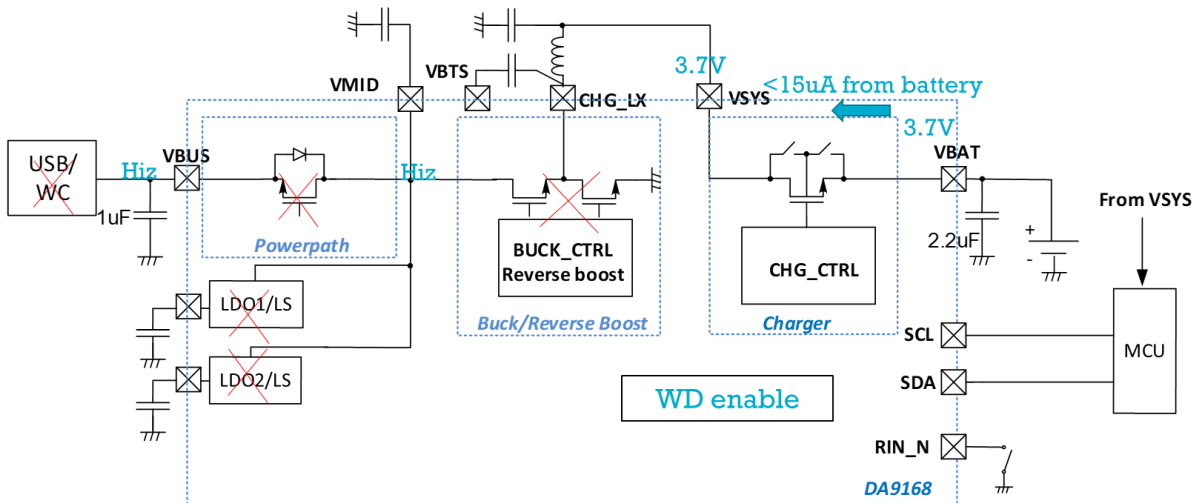


Figure 5: Standby Mode

4.1.2.3 Reverse Boost Mode

Reverse Boost mode is enabled by EN pin, see [Figure 6](#). In this mode, the device regulates the VMID voltage between 4.0 V and 5.5 V (it is recommended that VMID voltage setting is set to 0.5 V higher than Reverse-Boost input, VBAT) and the two low-power LDOs are enabled. When an over-voltage event occurs at VMID, the device stops the reverse boost converter to protect accessory devices that are connected to the LDOs' outputs.

- Reverse boost converter and both LDOs enabled (no load) with enabled Watchdog: $I_Q < 60 \mu\text{A}$

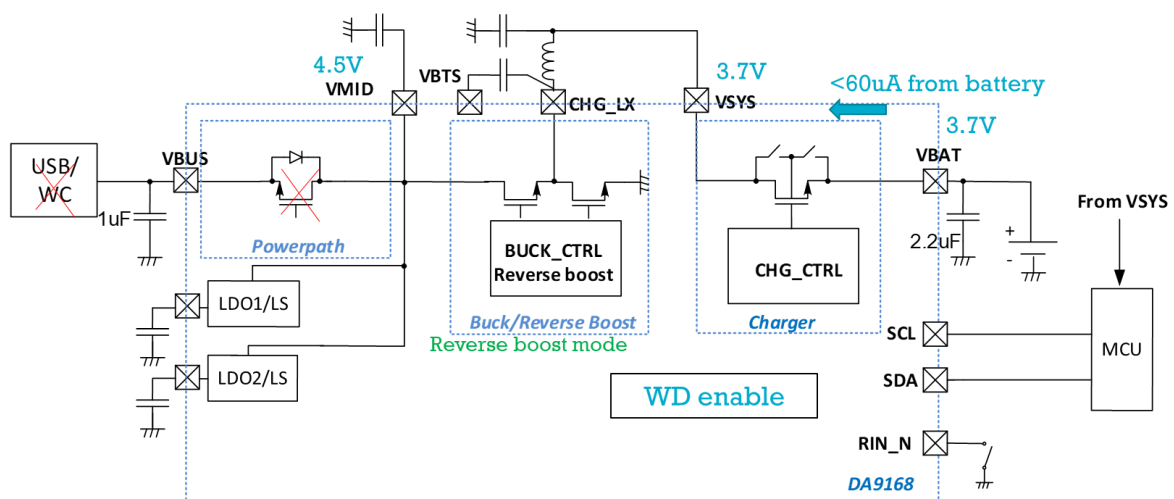


Figure 6: Reverse Boost Mode

In Reverse Boost mode, to turn on the power path and enable the Boost supply from VBUS, set `REV_VBUS_EN = 0x1`. The VBUS voltage depends on the Reverse Boost output setting and accuracy, and the IR-drop on the power path.

1-Cell, 1.5 A Battery Charger PMIC with 20 mA Termination, Ultra-Low IQ Reverse Boost, and I2C

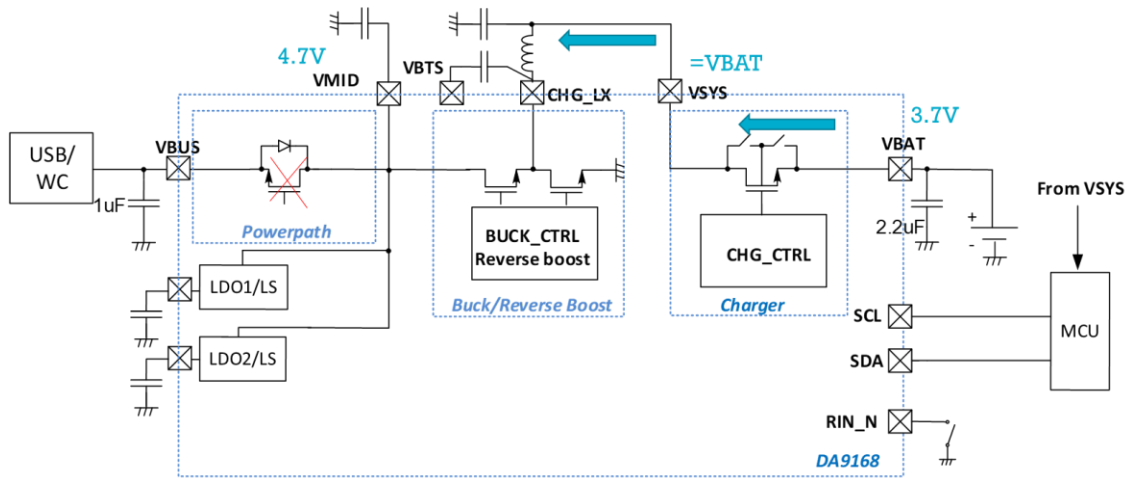


Figure 8: Hi-Z Mode

4.2 Battery Protection

The DA9168 includes battery protection. The battery is protected during discharge by the OC and UV functions. During charging, the battery voltage is sensed by VBAT_SNS to prevent battery over-voltage and the temperature sense (TMP_SNS) function protects against over-temperature, see Section 4.2.3. Highly accurate voltage regulation and charging current control prevent OV and OC conditions.

4.2.1 E_VBAT_UV Event

$V_{BAT_UV_FALL}$ protects the battery from over-discharge by disconnecting the discharge path when the battery voltage falls below the UV threshold.

When an E_VBAT_UV event occurs during active battery operation (VBUS not connected) the DA9168 outputs, including VSYS, shut down and all registers are reset to their default OTP values.

An E_VBAT_UV event generates an interrupt at INT_N.

4.2.2 E_VBAT_OV Event

The battery over-voltage threshold is $V_{BAT_OV_RISE}$. When battery over-voltage occurs, $V_{BAT} > V_{BAT_OV_RISE}$, the charger device immediately stops switching and an event, E_VBAT_OV, is flag by an interrupt at INT_N.

During active batter operation, E_VBAT_OV event cause VSYS shut down. The VBAT_OV_CFG bit can mask the VBAT_OV caused shutdown behavior. In this case, VSYS still may shut down if $V_{BAT} = V_{SYS} > V_{SYS_OV_RISE}$

4.2.3 Battery Temperature Sensing

The temperature sense function uses the battery's NTC thermistor to monitor battery temperature, see Section 4.2.4. If the battery is too cold or hot, the fast charge current, or target voltage, is reduced or charging move to Halt status. Table 21 summarizes which protective measures will be applied in each temperature range.

1-Cell, 1.5 A Battery Charger PMIC with 20 mA Termination, Ultra-Low IQ Reverse Boost, and I2C

Table 21: Battery Thermal Protection Measures

Temperature Range	Voltage at TMP_SNS	Charger Action	Interrupt Name
$T_{BAT} < T_{LO}$	$V_{TMP_SNS} > V_{TEMP_LO}$	Charging halt, device enters ship mode	E_TS COLD
$T_{LO} < T_{BAT} < T_{COOL}$	$V_{TEMP_LO} > V_{TMP_SNS} > V_{TEMP_COOL}$	Charge current, $I_{CHG} = TS_ICHG$	E_TS COOL
$T_{COOL} < T_{BAT} < T_{WARM}$	$V_{TEMP_COOL} > V_{TMP_SNS} > V_{TEMP_WARM}$	Normal charging	
$T_{WARM} < T_{BAT} < T_{HI}$	$V_{TEMP_WARM} > V_{TMP_SNS} > V_{TEMP_HI}$	Target voltage V_{BAT_REG} (set by CHG_VBATREG) reduced by 100 mV or 200 mV (set by TS_VBATREG_SHIFT)	E_TS WARM
$T_{HI} < T_{BAT}$	$V_{TMP_SNS} < V_{TEMP_HI}$	Charging halt, device enters ship mode	E_TS HOT
	$V_{TEMP_SNS} > V_{OFF_TEMP_SNS}$	Temperature sense disabled, optional fault	E_TS OFF

Charge status will move to Halt status when the junction temperature is above the warning level, T_{WARN_TSD} , see Section 3.4.2. An E_TSD_WARN event is observed (E_TSD_CRIT is system shut down), see Section 4.8.

4.2.4 TMP_SNS Pin Resistor Network

The four temperature thresholds, V_{TEMP_LO} , V_{TEMP_COOL} , V_{TEMP_WARM} , and V_{TEMP_HI} are fixed percentages of the voltage on the REF pin, see Section 3.4.8. The REF pin allows the battery temperature to be monitored through the resistor divider. V_{REF} is derived from the VMID voltage.

The TMP_SNS voltage is measured after a deglitch time of 10 ms, which precludes any need for filtering at TMP_SNS. To avoid measurement error, no filter capacitance larger than 10 nF should be added to TMP_SNS pin.

Temperature monitoring can be disabled (TS_OFF state) by the BTS_VBAT_EN and BTS_VBUS_EN bits, or by pulling TMP_SNS above the $V_{OFF_TEMP_SNS}$ threshold. The TS_OFF state disables temperature sensing and can optionally be flagged as a fault condition by setting bit E_TS_OFF to 1. When TMP_SNS is pulled high to enter TS_OFF, the off state is latched until TMP_SNS is disabled.

Each temperature sense threshold breach will generate an interrupt at INT_N.

The battery NTC interfaces to the TMP_SNS input through a resistive divider, see Figure 9.

1-Cell, 1.5 A Battery Charger PMIC with 20 mA Termination, Ultra-Low IQ Reverse Boost, and I2C

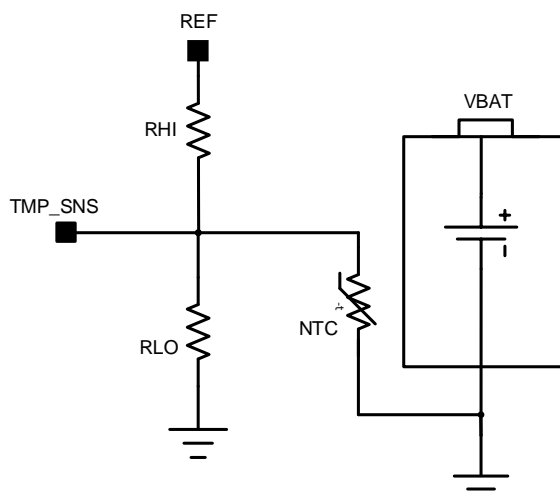


Figure 9: Battery Temperature Sensing with NTC

The resistor divider values (R_{HI} and R_{LO}) are selected as shown below so that the cold and hot TMP_SNS thresholds are reached at the corresponding NTC values.

Equation 1:

$$R_{(LO)} = \frac{R_{(COLD)} \times R_{(HOT)} \times \left(\frac{1}{0.398} - \frac{1}{0.15} \right)}{R_{(HOT)} \times \left(\frac{1}{0.15} - 1 \right) - R_{(COLD)} \times \left(\frac{1}{0.398} - 1 \right)}$$

Equation 2:

$$R_{(HI)} = \frac{\left(\frac{1}{0.398} - 1 \right)}{\left(\frac{1}{R_{(LO)}} + \frac{1}{R_{(COLD)}} \right)}$$

Where:

- $R_{(HOT)}$ = the NTC resistance at the hot temperature, T_{HI}
- $R_{(COLD)}$ = the NTC resistance at the cold temperature, T_{LO}

4.3 Dynamic Power Management

The DA9168 continuously monitors input current and input voltage. When input source is overloaded, either the current exceeds the input current limit (IINDPM) or the voltage falls below the input voltage limit (VINDPM). The device then reduces the charge current until the input current falls below the IINDPM or the input voltage rises above the VINDPM.

However, if the charge current is reduced to zero, the input source is still overloaded, then the system voltage starts to drop. Once the system voltage falls below the battery voltage ($V_{SYS} < V_{BAT}$), the device automatically enters the Supplement mode.

In Supplement mode, BATFET turns on and the battery starts discharging so that the system is supported from both the input source and battery.

4.3.1 VINDPM Threshold

Fixed dynamic power management input voltage (VINDPM) threshold. The default VINDPM threshold is 4.2 V (programmable from 3.8 V to 4.8 V by VINDPM bit).

1-Cell, 1.5 A Battery Charger PMIC with 20 mA Termination, Ultra-Low IQ Reverse Boost, and I2C

4.4 Charging Operation

4.4.1 Battery Charging Process

When USB power is connected, ($V_{BUS} > V_{BUS_UV_RISE}$), the DA9168 is in one of four states, see Table 22. Charging is enabled and disabled with the CHG_EN_N pin and CHG_EN bit. This status is indicated by the PMC_STATUS_03 register.

Table 22: Charge Status

CHG_EN_N	CHG_EN	ICHG	VBAT	Status
H	*	N/A	N/A	Charge disabled
*	L	N/A	N/A	Charge disabled
L	H	$> CHG_ITERM$	$\leq CHG_VBATREG$	Charge in-progress
L	H	$< CHG_ITERM$	$> CHG_VRCHG$	Charge done

PMC_STATUS_03 is a read-only register which shows immediate charge status. The register does not hold status value and changes its value immediately when the charge status changes.

From the charge ready state, charging begins when the CHG_EN bit is high, and the CHG_EN_N input pin is pulled low.

The device charges the battery in three phases based on battery voltage: pre-charge, fast charge constant current (CC), and constant voltage (CV). These charge phases and status transitioning from the **charge ready** to **charge in progress** to **charge done** are shown in the typical charging profile in Figure 10.

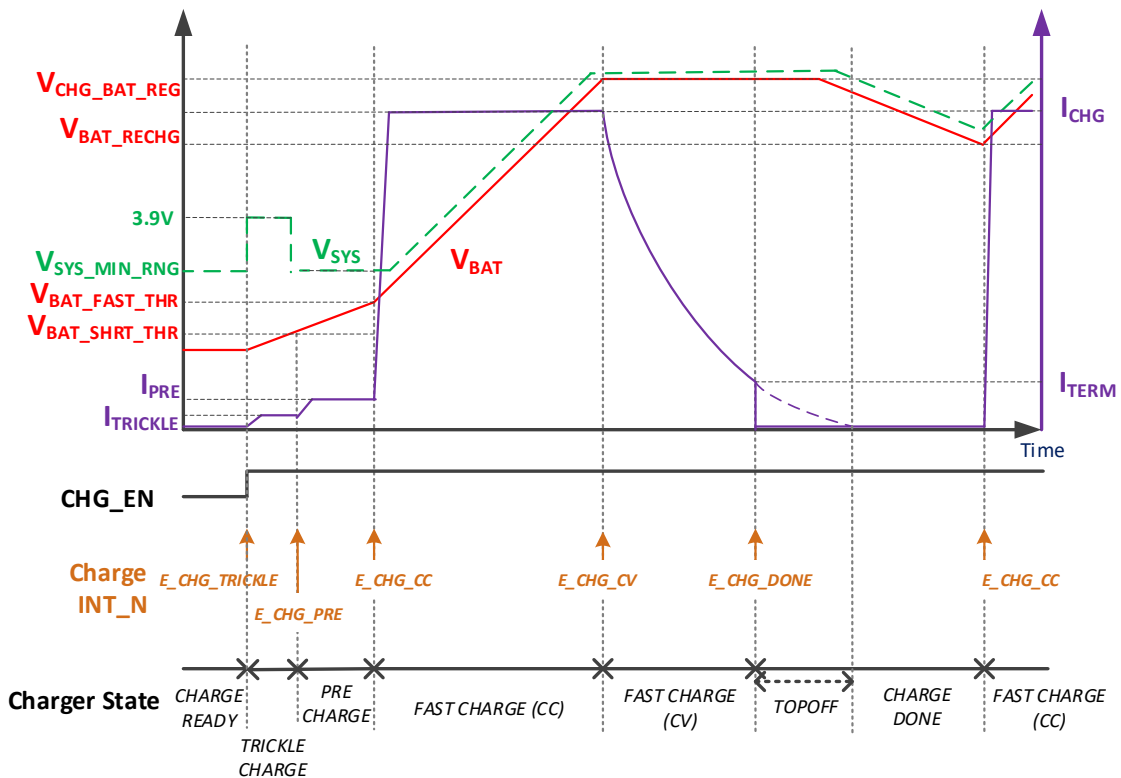


Figure 10: Charger Profile, State, and INT_N (Event)

1-Cell, 1.5 A Battery Charger PMIC with 20 mA Termination, Ultra-Low IQ Reverse Boost, and I2C

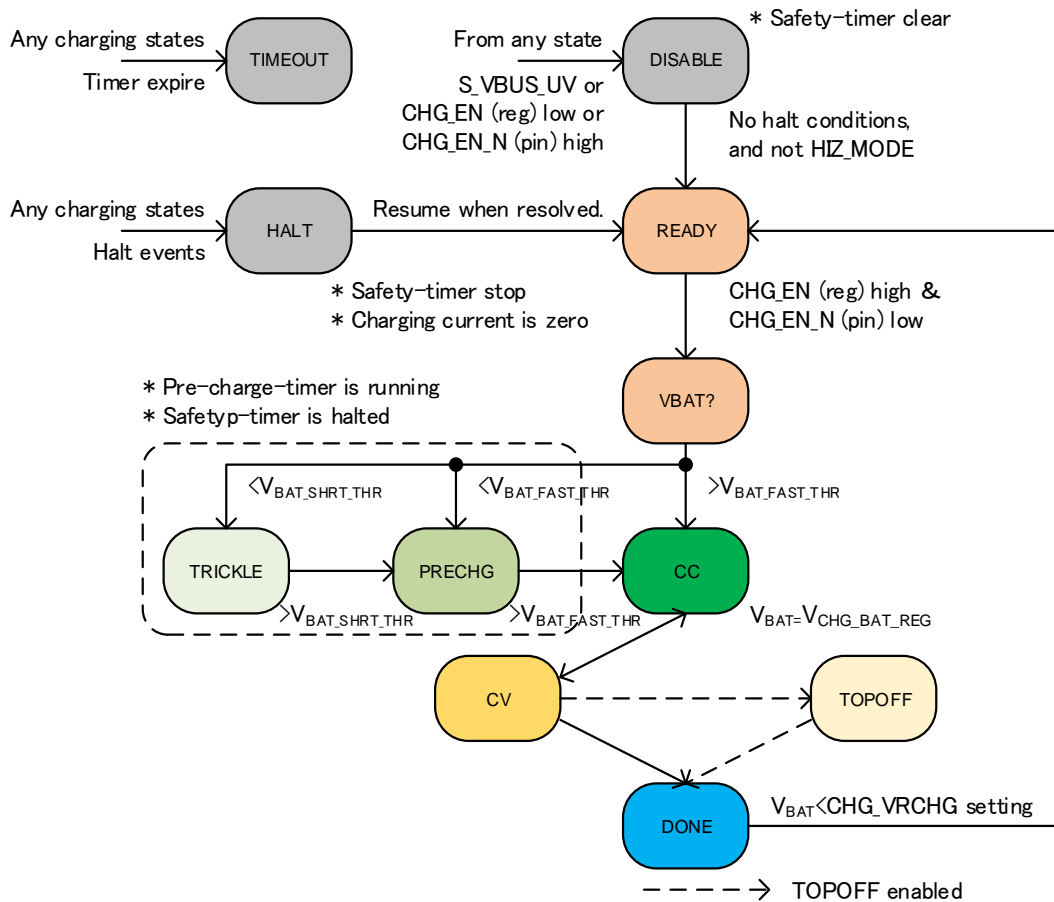


Figure 11: Charger Control, State

4.4.2 Trickle and Pre-Charge Low-Level Currents in Pre-Charge Mode

In Pre-Charge mode a constant low-level current is supplied to the battery.

- When $V_{BAT} < 2.2$ V, the low-level current is called the trickle charge current. Continuous operation mode and periodic operation mode can be selected by the CHG_TRICKLE_CYC bit. And trickle charge current setting is also selectable by the CHG_TRICKLE bits. The default setting is periodic operation mode with 5mA setting, means 2.5mA average trickle charge current, see Figure 12.

1-Cell, 1.5 A Battery Charger PMIC with 20 mA Termination, Ultra-Low IQ Reverse Boost, and I2C

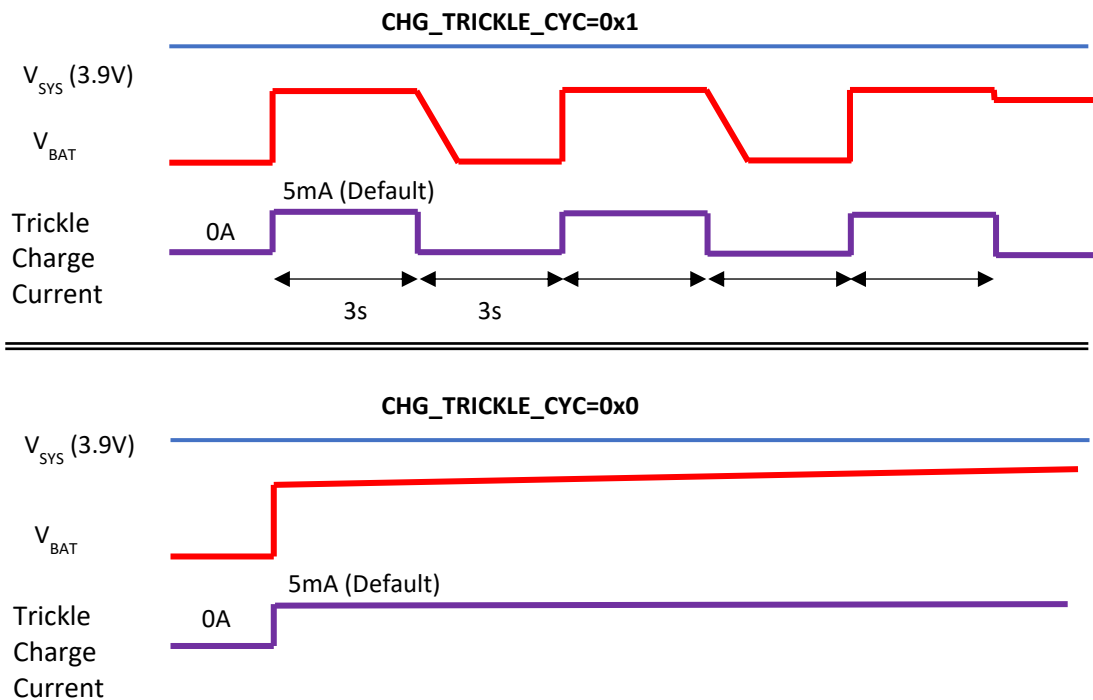


Figure 12: Trickle Charge Behavior

- When $V_{BAT} > 2.2$ V, the low-level current is called the pre-charge current. The maximum pre-charge current is 140 mA.

Pre-charging is indicated by an INT_N interrupt and E_CHG_PRE.

4.4.3 Fast Charge Mode

Fast Charge mode can be split into two modes, Constant-Current (CC) mode, and Constant-Voltage (CV) mode.

4.4.3.1 CC Mode

In Constant-Current (CC) mode, a constant charging current is supplied to the battery. Charge current is selectable by the CHG_ICHG registers. When V_{BAT} reaches V_{BAT_REG} (set by CHG_VBATREG), the device ends Fast Charge mode and starts Constant Voltage mode operation.

4.4.3.2 CV Mode

Constant Voltage (CV) mode begins when the battery voltage rises into the regulation range. The regulated battery voltage, V_{BAT_REG} , is set by the CHG_VBATREG bits.

When the DA9168 enters CV mode, the charge current begins to decrease gradually, while the battery voltage remains regulated at V_{BAT_REG} . When the charge current decreases to the termination current level, charging is terminated and the charge status (PMIC_STATUS_03 register) changes to Charge Done.

Charge Done is indicated by an INT_N interrupt and E_CHG_DONE

After Charge Done, the charger can maintain CV mode charging behavior until the top off timer expires. The top off timer time is selected by bits CHG_TOPOFF and can be disabled by setting CHG_TOPOFF = 0x0.

1-Cell, 1.5 A Battery Charger PMIC with 20 mA Termination, Ultra-Low IQ Reverse Boost, and I2C

4.4.4 Charge Halt

The DA9168 identifies multiple conditions to adjust or halt charging, indicated by the status bits. These conditions may reduce the charge current, reduce the target battery voltage, or take other actions. All are indicated by an interrupt and event bits.

When the charger is unable to provide the programmed charge current to the battery, such as when VBUS is in current limit, the termination current is ignored, CV charging continues until the charge current reaches 0 mA. Charge state remains as CV until the safety timer expires.

The system status affecting charge operation are summarized in [Table 23](#). Also, by setting HIZ_MODE charging is halted and safety timers are stopped.

Table 23: System Status Affecting Charging

Status bits	Safety Timer	Charging Events
S_VBUS_UV	Cleared	Charging is disabled
S_VBUS_OV	Stopped	Charging is halted
S_VBUS_VINDPM	Half-rate (optional)	Charging is resumed
S_VBUS_IINDPM	Half-rate (optional)	Charging is resumed
S_VBAT_OV	Stopped	Charging is halted
S_VSYS_OV	Stopped	Charging is halted
S_CHG_SLEEP	Stopped	Charging is halted
S_CHG_SPLMT	Stopped	Charging is halted
S_TS_COLD	Stopped	Charging is halted. Device enters ship mode.
S_TS_HOT	Stopped	Charging is halted. Device enters ship mode.
S_TS_COOL	Half-rate (optional)	Charging is resumed. Charge current is optionally changed by TS_ICHG. Option enabled by CHG_TS_COOL_I.
S_TS_WARM	Half-rate (optional)	Charging is resumed. VBAT regulation voltage is optionally shifted by TS_VBATREG_SHIFT. Option enabled by CHG_TS_WARM_V.
S_CHG_TIMER	Cleared	Charging is latched-off. In order to re-start charging, it is required to disable charging first by unplugging VBUS, or setting bit CHG_EN = 0x0, or by connecting the CHG_EN_N input pin high.
S_WD_TIMER	Stopped	Charging is halted
S_TSD_WARN	Stopped	Charging is halted
S_TSD_CRIT	Stopped	Charging is halted
S_VSYS_OV	Stopped	Charging is halted

4.4.5 Power Cycling

The power-cycle function causes VSYS drop then restarts. Power-cycle can be initiated by a fault condition, RIN_N pushbutton or I2C command. The primary purpose of power-cycling is to clear a serious fault condition such as IC over-temperature or to reset the host.

A wait timer allows the host to act before power is shut down and can be set between 1 s and 4 s. The timer is programmable at register SYS_WAIT. The SYS_WAIT_CFG bit can shorten the timer as 1/10 of the default values.

1-Cell, 1.5 A Battery Charger PMIC with 20 mA Termination, Ultra-Low IQ Reverse Boost, and I2C

4.4.6 Safety Timers

The safety timer starts counting as soon as a charge cycle begins, ensuring that the charge cycle is terminated even if the battery fails to reach the termination condition. There are two dedicated timers, one for pre-charge and another for the main timer. If the safety timers expire before charging is terminated, INT_N toggles.

The pre-charge timer counts during Pre-charge mode and is reset at the transition to Fast Charge mode. If the charger is still in Pre-Charge mode at the end of the pre-charge timer period, the charge cycle is terminated. The main safety timer stops in Pre-Charge mode and runs during Fast-Charge mode.

Table 24. Safety Timer Register Settings

CHG_TMR_SAFE and CHG_TMR_PRE	Main Charge Timer (h)	Pre-Charge Timer (min)
0x0	5	30
0x1	10	60
0x2	15	90
0x3	20	120

4.4.7 VMID OV

In active battery operation, when VMID rises above the VMID_OV threshold the reverse boost and the two LDOs will be latched-off.

This will create an E_VMID_OV event, and generate an interrupt on INT_N.

4.4.8 SLEEP

When VBUS - VBAT falls below $V_{BUS_SLEEP_THR}$ (i.e. when VBUS falls to within $V_{BUS_SLEEP_THR}$ of VBAT) the system enters SLEEP mode.

In this situation the system operation will change to active battery mode and charging will be halted.

This will create an E_CHG_SLEEP event, and generate an interrupt on INT_N.

To exit SLEEP mode, VBUS – VBAT must rise above $V_{BUS_SLEEP_HYS}$ (that is, VBUS rises at least $V_{BUS_SLEEP_THR}$ above VBAT).

4.4.9 SPLMT

As noted in section 4.3, the SPLMT mode will be entered when VSYS falls below VBAT due to pulling a load on VSYS that exceeds the IINDPM threshold.

In this situation the BATFET will automatically be turned on and allow the load current on VSYS to be simultaneously be supplied from VBUS and VBAT. This ensures larger currents can be sustained on VSYS above that which can be provided from VBUS alone and will prevent shutdown of VSYS.

This will create an E_CHG_SPLMT event, and generate an interrupt on INT_N.

4.4.10 TS_HOT / TS_COLD

When the battery temperature is detected to be above the TS_HOT threshold, or below the TS_COLD threshold using the battery temperature sensing block (see section 4.2.3), the device will enter ship mode (see section 4.1.2.1).

This will create an E_TS_HOT / E_TS_COLD event, and generate an interrupt on INT_N.

1-Cell, 1.5 A Battery Charger PMIC with 20 mA Termination, Ultra-Low IQ Reverse Boost, and I2C

4.4.11 TS_COOL

When the battery temperature is detected to be below the TS_COLD threshold using the battery temperature sensing block (see section 4.2.3), there is an option to change the charge current using the TS_ICHG setting (register 0x1C). To enable this option set CHG_TS_COOL_I = 1 (register 0x1B).

During TS_COOL there is also an option to change to the safety timer to half-rate. This can be enabled by setting both CHG_TMR_HALF_EN = 1 (register 0x16) and CHG_TS_COOL_I = 1 (register 0x1B).

This will create an E_TS_COOL event, and generate an interrupt on INT_N.

4.4.12 TS_WARM

When the battery temperature is detected to be above the TS_WARM threshold using the battery temperature sensing block (see section 4.2.3), there is an option to change the battery regulation voltage by the amount specified in TS_VBATREG_SHIFT (register 0x1B). To enable this option set CHG_TS_WARM_V = 1 (also in register 0x1B).

If TS_VBATREF_SHIFT = 0, the battery regulation voltage is reduced by 100mV.

If TS_VBATREF_SHIFT = 1, the battery regulation voltage is reduced by 200mV.

During TS_WARM there is also an option to change to the safety timer to half-rate. This can be enabled by setting both CHG_TMR_HALF_EN = 1 (register 0x16) and CHG_TS_WARM_V = 1 (register 0x1B).

This will create an E_TS_WARM event, and generate an interrupt on INT_N.

4.4.13 LDO1 / LDO2 OC

When current larger than the ILIM_LDO1 (ILIM_LDO2) threshold is pulled from VOUT1 (VOUT2) then LDO1 (LDO2) is shutdown. It will then automatically restart after 10ms. If the fault still exists then LDO1 (LDO2) will shut down again, and this hiccup operation will continue until the fault is removed.

The LDO1 OCP (LDO2 OCP) can be disabled via the LDO1_OCP (LDO2_OCP) settings in register 0x1D.

This will create an E_LDO1_OC (E_LDO2_OC) event, and generate an interrupt on INT_N.

4.4.14 REF OC

When current larger than the ILIM_REF threshold is pulled from REFLDO, the reverse boost and the two LDOs will be latched-off.

This will create an E_REF_OC event, and generate an interrupt on INT_N.

1-Cell, 1.5 A Battery Charger PMIC with 20 mA Termination, Ultra-Low IQ Reverse Boost, and I2C

4.5 LDOs / Load Switches

The DA9168 has two LDOs which are powered by VMID. Each LDO is configurable as either a load switch or an LDO. The LDO can deliver 200 mA and the load switch can deliver 350 mA.

In LDO mode, the output voltage for either LDO is programmable between 1.6 V and 5.2 V in 100 mV steps. Due to lower load capability with lower headroom, to ensure good regulation and full load capability, 200 mV or 300 mV of headroom is recommended at VLDO (VMID)

Each LDO is enabled and configured as load switch at register PMC_LDO_00. The output voltages are set at registers PMC_LDO_01 and PMC_LDO_02.

4.6 Host and Push Button Communication

The DA9168 features multiple digital pins for host and user communication, see [Table 25](#). For connections, see [Figure 13](#).

When the RIN_N pin is driven to logic low for t_{PRESS} , the BATFET reset process starts. The BATFET is turned off for t_{SHDN} and then it is re-enabled to reset system.

Table 25: Digital Pins for Host and Pushbutton Interface

Pin Name	Description
SCL / SDA	I ² C interface
RIN_N	Pushbutton interface Used for system reset or Ship mode exit.
INT_N	Interrupt output flag
EN	Enable reverse boost and LDOs

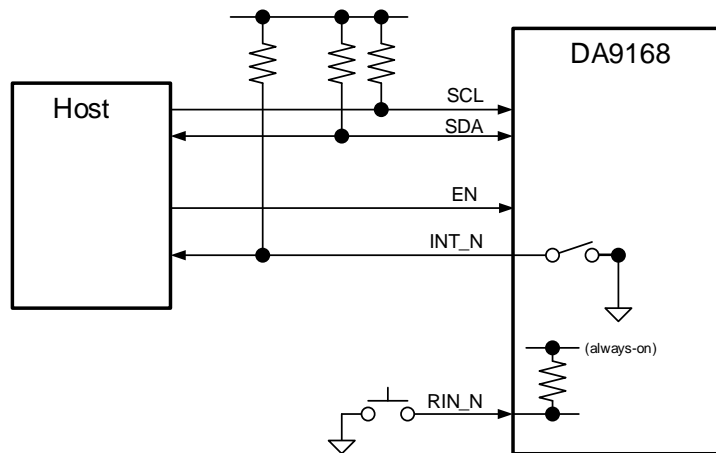


Figure 13: Digital Pin Connections

4.6.1 EN Pin Behavior

The EN pin is used for enabling Reverse Boost mode and both LDO/load switches.

1-Cell, 1.5 A Battery Charger PMIC with 20 mA Termination, Ultra-Low IQ Reverse Boost, and I2C

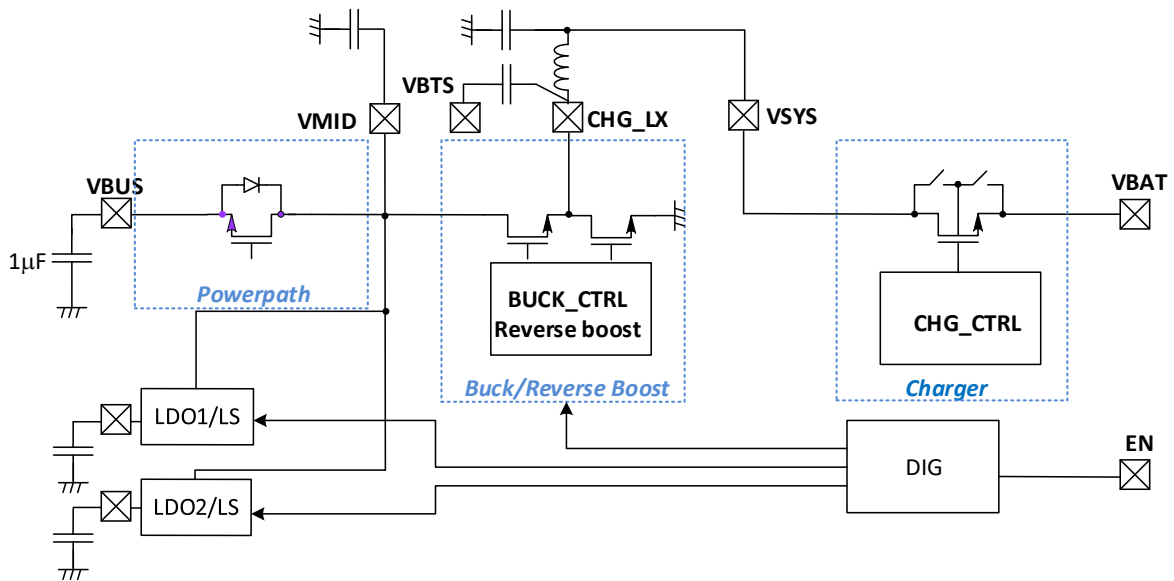


Figure 14: EN Pin Example

The EN pin is edge-triggered. A rising edge triggers an internal digital sequence which writes to BOOST_EN, LDO1_EN, and LDO2_EN high (selectively enabled and disabled by SEQ_BOOST). A falling edge immediately clears BOOST_EN, LDO1_EN, and LDO2_EN low (again, by the internal digital sequence, selectively).

LDO1 and LDO2 are enabled when LDO1_EN and LDO2_EN are high and VMID is available.

BOOST is enabled when BOOST_EN is high and VSYS is supplied from VBAT.

4.6.2 INT_N Pin Behavior

The INT_N output indicates interrupt events with a 256 μ s pulse. The INT_N flag can be masked for each individual interrupt event by setting the corresponding mask bit to 1. Event register fields can be found in PMC_EVENT_00 to PMC_EVENT_04, and corresponding INT_N mask bits in PMC_MASK_00 to PMC_MASK_04.

Event registers are configured as clear-on-read by default. They are set as soon as the corresponding event is detected and cleared as soon as they are read by I²C. If E_RD_CLR_DIS is set, then the event registers behaves as clear-on-write 1.

Corresponding raw status bits are located in registers PMC_STATUS_00 to PMC_STATUS_04. Current status of the reported event can be checked by these registers.

4.6.3 RIN_N Behavior

When the Reset button, RIN_N, is pressed for longer than a set time, t_{PRESS} , VSYS power off till release RIN_N and wait a VSYS shutdown time, t_{SHDN} , the registers and VSYS reset.

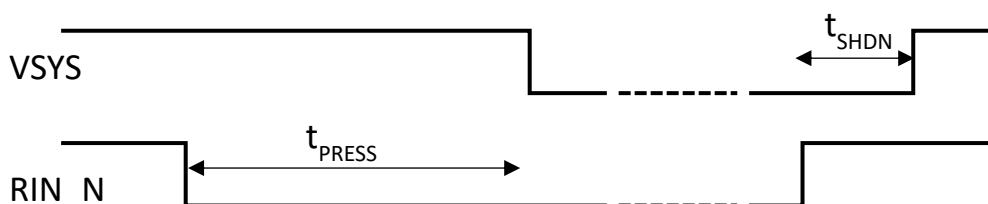


Figure 15: RIN_N reset Registers and VSYS

The press time, t_{PRESS} , and the VSYS shutdown times are programmable.

1-Cell, 1.5 A Battery Charger PMIC with 20 mA Termination, Ultra-Low IQ Reverse Boost, and I2C

- The RIN_N button press time, t_{PRESS} , is set by RST_TMR to (4, 8, 12, or 20) s, with a default of 12 s. It has an accuracy of ± 1 s.
- The VSYS shutdown time, t_{SHDN} , is set by SYS_WAIT to (1, 2, 3, or 4) s, with a default of 2 s. It has an accuracy of ± 0.5 s. This setting is common for *all* VSYS supplied features (for example, Watchdog).

RIN_N behavior can be masked by setting RST_OPT=0x0 and RST_OPT_PWRCYC=0x0 at the same time.

4.7 I²C Communication

The DA9168 includes an I²C-compatible 2-wire serial interface to access the internal registers. Through the I²C interface, the host processor can control each channel and read back system status. The DA9168 only operates as a slave device.

The host processor provides the serial clock at the SCL pin. The DA9168 supports I²C standard-mode (100 kHz) and up to 400 kHz fast-mode.

The DA9168 SLAVE address is 0x68.

The I²C data pin, SDA, is open drain, allowing multiple devices to share a communication line.

All transmissions begin with a START condition issued from the master while the bus is in an IDLE state (the bus is free). The START condition is initiated by a high to low transition on the SDA line while the SCL is in the high state. Alternately, a STOP condition is indicated by a low to high transition on the SDA line while the SCL line is in the high state as shown in Figure 16.

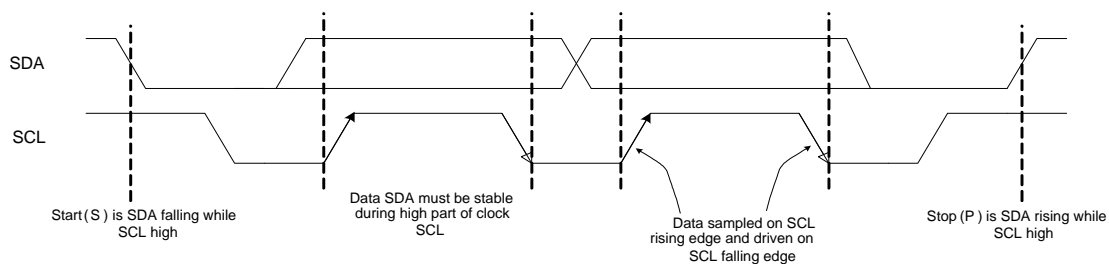


Figure 16: I²C Start (S) and Stop (P)

The I²C interface uses a two-byte serial protocol containing one byte for address and one byte for data. The data and address are transferred with MSB transmitted first for both read and write operations.

The DA9168 monitors the serial bus for a valid SLAVE address whenever the interface is enabled. When it receives its own slave address, the DA9168 immediately gives an Acknowledge signal to the host by pulling the SDA line low during the following clock cycle. A Not Acknowledge signal is given by the logic 1, not pulling down the SDA line.

A single byte WRITE is shown in Figure 17. Here the slave address is followed by a WRITE bit (low), the register address, and the WRITE data. Finally, the transaction is terminated with a STOP.

1-Cell, 1.5 A Battery Charger PMIC with 20 mA Termination, Ultra-Low IQ Reverse Boost, and I2C

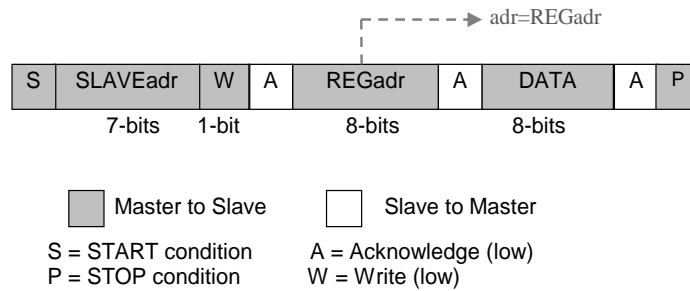


Figure 17: Single Write Command

The DA9168 also supports multiple byte writes, shown in Figure 18. By not sending the STOP command, data is written to consecutive addresses.

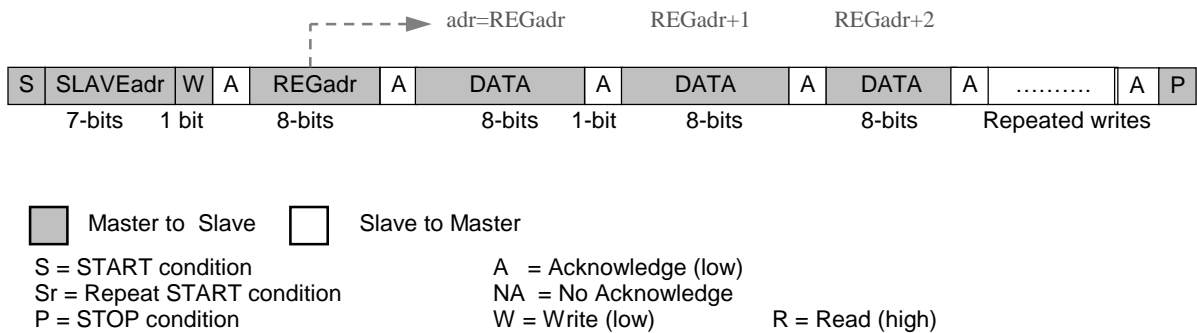


Figure 18: Consecutive Write Command

The data READ protocol is different in that a READ does not have a register address immediately preceding it. To READ from a specific address, the register address is given by using a write command followed by a Repeated START. A single byte READ is shown in Figure 19. A Repeated START is followed by the slave address and a READ bit. After the READ data is returned to the host, the host then responds with a Not Acknowledge and a STOP.

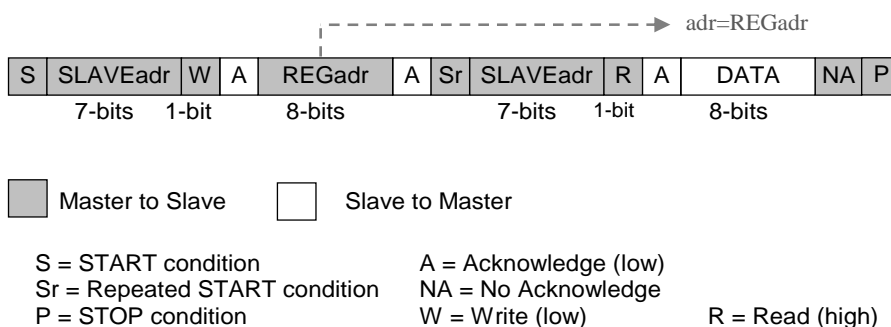


Figure 19: Single Read Command

The DA9168 also supports a multiple byte READ protocol. If the host responds to the returned data with an Acknowledge rather than Not Acknowledge and STOP, data will be read from sequential addresses until a Not Acknowledge and STOP command is given, as shown in Figure 20. If a READ address is given with a WRITE and Repeated START, consecutive addresses are read from the WRITE address.

1-Cell, 1.5 A Battery Charger PMIC with 20 mA Termination, Ultra-Low IQ Reverse Boost, and I2C

4.8 Thermal Protection

The DA9168 is protected from internal overheating by the over-temperature shutdown function.

When the power cycle ends, V_{SYS} will recover for several milliseconds; if the junction temperature is still above TSD_CRIT, the power cycle will be initiated again. In this way, the DA9168 continually attempts to restart with an active duty cycle of less than 1 %, enough to allow the IC to cool down. When the junction temperature has dropped below TSD_CRIT – THYS, power cycling will stop. When an over-temperature fault occurs, INT_N toggles.

To avoid tripping thermal shutdown, limit power dissipation to no more than:

$$P_{DISS} < \frac{118^{\circ}\text{C} - T_A}{R_{TH_JA}}$$

Where T_A is the ambient temperature, R_{TH_JA} is the thermal resistance of the package and PCB.

4.9 Watchdog Behavior

The watchdog (WD) timer is reset either by I²C communication or timer expiry. The expiration time of the watchdog is programmable as 40 s, 80 s, or 160 s by WD_TMR.

When the WD timer detects the expiration time, the following operation occurs.

1. INT_N
2. OTP reloads
3. VSYS restart, time can be set by SYS_WAIT

Restart WD timer after SYS_WAIT time

1-Cell, 1.5 A Battery Charger PMIC with 20 mA Termination, Ultra-Low IQ Reverse Boost, and I2C

5 Register Definitions

5.1 Register Map

Table 26: Register Map

Addr	Register	7	6	5	4	3	2	1	0	Reset
functional registers										
System Status										
0x0000	PMC_STATUS_00	S_VBUS_VINDPM	S_VBUS_IINDPM	S_VMID_OC	S_VBAT_OC	S_VBUS_OK	S_VMID_OK	S_VSYS_OK	S_VBAT_OK	0x00
0x0001	PMC_STATUS_01	S_VBUS_OV	S_VMID_OV	S_VSYS_OV	S_VBAT_OV	S_VBUS_UV	S_VMID_UV	S_VSYS_UV	S_VBAT_UV	0x00
0x0002	PMC_STATUS_02	S_TSD_CRIT	S_TSD_WARN	S_WD_TIMER	S_TS_HOT	S_TS_WARM	S_TS_COOL	S_TS_COLD	S_TS_OFF	0x00
0x0003	PMC_STATUS_03	S_CHG_SLEEP	S_CHG_SPLMT	S_CHG_TIMER	S_CHG_TRICKLE	S_CHG_PRE	S_CHG_CC	S_CHG_CV	S_CHG_DONE	0x00
0x0004	PMC_STATUS_04	S_VSYS_SHUTDOWN	S_REF_OC	S_LDO2_IMON1	S_LDO2_IMON2	S_LDO2_OC	S_LDO1_IMON1	S_LDO1_IMON2	S_LDO1_OC	0x00
System Events										
0x0005	PMC_EVENT_00	E_VBUS_VINDPM	E_VBUS_IINDPM	E_VMID_OC	E_VBAT_OC	E_VBUS_OK	E_VMID_OK	E_VSYS_OK	E_VBAT_OK	0x00
0x0006	PMC_EVENT_01	E_VBUS_OV	E_VMID_OV	E_VSYS_OV	E_VBAT_OV	E_VBUS_UV	E_VMID_UV	E_VSYS_UV	E_VBAT_UV	0x00
0x0007	PMC_EVENT_02	E_TSD_CRIT	E_TSD_WARN	E_WD_TIMER	E_TS_HOT	E_TS_WARM	E_TS_COOL	E_TS_COLD	E_TS_OFF	0x00
0x0008	PMC_EVENT_03	E_CHG_SLEEP	E_CHG_SPLMT	E_CHG_TIMER	E_CHG_TRICKLE	E_CHG_PRE	E_CHG_CC	E_CHG_CV	E_CHG_DONE	0x00
0x0009	PMC_EVENT_04	E_VSYS_SHUTDOWN	E_REF_OC	E_LDO2_IMON1	E_LDO2_IMON2	E_LDO2_OC	E_LDO1_IMON1	E_LDO1_IMON2	E_LDO1_OC	0x00
Interrupt mask bits										
0x000A	PMC_MASK_00	M_VBUS_VINDPM	M_VBUS_IINDPM	M_VMID_OC	M_VBAT_OC	M_VBUS_OK	M_VMID_OK	M_VSYS_OK	M_VBAT_OK	0xFF

1-Cell, 1.5 A Battery Charger PMIC with 20 mA Termination, Ultra-Low IQ Reverse Boost, and I2C

0x000B	PMC_MASK_01	M_VBUS_OV	M_VMID_OV	M_VSYS_OV	M_VBAT_OV	M_VBUS_UV	M_VMID_UV	M_VSYS_UV	M_VBAT_UV	0xFF
0x000C	PMC_MASK_02	M_TSD_CRIT	M_TSD_WARN	M_WD_TIMER	M_TS_HOT	M_TS_WARM	M_TS_COOL	M_TS_COLD	M_TS_OFF	0xFF
0x000D	PMC_MASK_03	M_CHG_SLEEP	M_CHG_SPLMT	M_CHG_TIMER	M_CHG_TRICKLE	M_CHG_PRE	M_CHG_CC	M_CHG_CV	M_CHG_DONE	0xFF
0x000E	PMC_MASK_04	M_VSYS_SHUTDOWN	M_REF_OC	M_LDO2_IMON1	M_LDO2_IMON2	M_LDO2_OC	M_LDO1_IMON1	M_LDO1_IMON2	M_LDO1_OC	0xFF
System settings										
0x000F	PMC_SYS_00	E_RD_CLR_DIS	VSYS_MIN<2:0>			VINDPM<3:0>			0x3B	
0x0010	PMC_SYS_01	VSYS_OV_SHUTDOWN_DIS	VSYS_UV_SHUTDOWN_DIS	ILIMIT_EN	IINDPM<4:0>			0x44		
0x0011	PMC_SYS_02	BTS_VBAT_RATE	BTS_VBAT_EN	BTS_VBUS_RATE	BTS_VBUS_EN	VBAT_DEB<1:0>		VBUS_DEB<1:0>		0x01
0x0012	PMC_SYS_03	SYS_WAIT<1:0>		WD_TMR<1:0>		WD_EN	RST_TMR<1:0>		RST_REG	0x34
0x0013	PMC_SYS_04	Reserved	BOOST_PWM	SEQ_BOOST	DLOAD_VMID_SEL<1:0>		DLOAD_VMID_EN	REV_VBUS_EN	BOOST_EN	0x38
0x0014	PMC_SYS_05	REV_VBUS_ILIM<3:0>				BOOST_VOUT<3:0>				0x9A
0x0015	PMC_SYS_06	RST_SYS	RIN_N_SHIP_EXIT_TMR	VBUS_OVSEL<1:0>		HIZ_MODE	SHIP_DLY<1:0>		SHIP_MODE	0x56
Charger Settings										
0x0016	PMC_CHG_00	Reserved	Reserved 0	BUCK_PWM	CHG_VRCHG	CHG_TMR_HALF_EN	CHG_TMR_EN	CHG_TERM_EN	CHG_EN	0x0E
0x0017	PMC_CHG_01	CHG_TMR_SAFE<1:0>			CHG_TMR_PRE<1:0>		CHG_TOPOFF<3:0>			0x00
0x0018	PMC_CHG_02	CHG_IPRE_MSB	CHG_RANGE_TERM	CHG_RANGE_PRE	CHG_ITERM<2:0>			CHG_IPRE<1:0>		0x0F
0x0019	PMC_CHG_03	CHG_RANGE	CHG_ICHG<6:0>						0x19	
0x001A	PMC_CHG_04	Reserved	Reserved	CHG_VBATREG<5:0>						0x17

1-Cell, 1.5 A Battery Charger PMIC with 20 mA Termination, Ultra-Low IQ Reverse Boost, and I2C

0x001 B	PMC_CHG_05	IO_INT_N_PU	IO_EN_PD	IO_CHG_EN_N _PD	Reserved	Reserved	TS_VBATREG_S HIFT	CHG_TS_WAR M_V	CHG_TS_CO OL_I	0x00
0x001 C	PMC_CHG_06	Reserved	TS_ICHG<6:0>							0x0C
LDO settings										
0x001 D	PMC_LDO_00	LDO2_OCP	LDO2_PD	LDO2_LSW	LDO2_EN	LDO1_OCP	LDO1_PD	LDO1_LSW	LDO1_EN	0x44
0x001 E	PMC_LDO_01	SEQ_LDO1<1:0>		LDO1_VOUT<5:0>						0x22
0x001 F	PMC_LDO_02	SEQ_LDO2<1:0>		LDO2_VOUT<5:0>						0x22
0x002 1	PMC_LDO_04	SYS_WAIT_CFG	RST_OPT_PWRCYC	SHIP_DLY_DIS	RST_OPT	VBAT_OV_CFG	CHG_TRICKLE_ CYC	CHG_TRICKLE<1:0>		0x54
0x002 2	PMC_LDO_05	LDO2_ILIM<3:0>				LDO1_ILIM<3:0>				0xAA
Options										
otp control										
Chip ID										
0x004 2	OTP_DEVICE _ID	DEV_ID<7:0>								0xE7
0x004 3	OTP_VARIAN T_ID	MRC<3:0>				VRC<3:0>				0x30
0x004 4	OTP_CONFIG _ID	CONFIG_REV<7:0>								0xDC

1-Cell, 1.5 A Battery Charger PMIC with 20 mA Termination, Ultra-Low IQ Reverse Boost, and I2C

5.2 Register Descriptions

The Type column in the register description tables maps to the Access shown in [Table 27](#).

Table 27: Register Access Type

Datasheet Type	Access
R	Read only
RW	Read / Write
RC	Clear on read
W1	Trigger by writing 1

5.2.1 System Status

Table 28: PMC_STATUS_00 (0x0000)

Bit	Type	Field Name	Description	Reset
[7]	R	S_VBUS_VINDPM	VBUS VINDPM Status Value Description 0x0 VBUS not in VINDPM 0x1 VBUS in VINDPM	0x0
[6]	R	S_VBUS_IINDPM	VBUS IINDPM Status Value Description 0x0 VBUS not in IINDPM 0x1 VBUS in IINDPM	0x0
[5]	R	S_VMID_OC	VMID OC Status during boost operation. Value Description 0x0 VMID not in OC 0x1 VMID in OC	0x0
[4]	R	S_VBAT_OC	VBAT OC Status during battery operation Value Description 0x0 VBAT not in OC 0x1 VBAT in OC	0x0
[3]	R	S_VBUS_OK	VBUS OK Status, above UV and below OV thresholds. Value Description 0x0 VBUS not OK 0x1 VBUS OK	0x0
[2]	R	S_VMID_OK	VMID OK Status during boost operation. Value Description 0x0 VMID not OK	0x0

1-Cell, 1.5 A Battery Charger PMIC with 20 mA Termination, Ultra-Low IQ Reverse Boost, and I2C

Bit	Type	Field Name	Description	Reset
			0x1 VMID OK	
[1]	R	S_VSYS_OK	VSYS OK Status, above UV and below OV thresholds Value Description 0x0 VSYS not OK 0x1 VSYS OK	0x0
[0]	R	S_VBAT_OK	VBAT OK Status, above UV and below OV thresholds. Value Description 0x0 VBAT not OK 0x1 VBAT OK	0x0

Table 29: PMC_STATUS_01 (0x0001)

Bit	Type	Field Name	Description	Reset
[7]	R	S_VBUS_OV	VBUS OV Status. Value Description 0x0 VBUS not in OV 0x1 VBUS in OV	0x0
[6]	R	S_VMID_OV	VMID OV Status during boost operation Value Description 0x0 VMID not in OV 0x1 VMID in OV	0x0
[5]	R	S_VSYS_OV	VSYS OV Status Value Description 0x0 VSYS not in OV 0x1 VSYS in OV	0x0
[4]	R	S_VBAT_OV	VBAT OV Status Value Description 0x0 VBAT not in OV 0x1 VBAT in OV	0x0
[3]	R	S_VBUS_UV	VBUS UV Status Value Description 0x0 VBUS not in UV 0x1 VBUS in UV	0x0
[2]	R	S_VMID_UV	VMID UV Status during boost operation Value Description 0x0 VMID not in UV 0x1 VMID in UV	0x0

1-Cell, 1.5 A Battery Charger PMIC with 20 mA Termination, Ultra-Low IQ Reverse Boost, and I2C

Bit	Type	Field Name	Description	Reset
[1]	R	S_VSYS_UV	VSYS UV Status Value Description 0x0 VSYS not in UV 0x1 VSYS in UV	0x0
[0]	R	S_VBAT_UV	VBAT UV Status Value Description 0x0 VBAT not in UV 0x1 VBAT in UV	0x0

Table 30: PMC_STATUS_02 (0x0002)

Bit	Type	Field Name	Description	Reset
[7]	R	S_TSD_CRIT	TSD CRIT Status Value Description 0x0 Junction temperature below critical level. 0x1 Junction temperature above critical level.	0x0
[6]	R	S_TSD_WARN	TSD WARN Status Value Description 0x0 Junction temperature below warning level. 0x1 Junction temperature above warning level.	0x0
[5]	R	S_WD_TIMER	WD TIMER Status Value Description 0x0 Watch-dog timer not expired 0x1 Watch-dog timer expired	0x0
[4]	R	S_TS_HOT	TS HOT Status Value Description 0x0 Battery temperature sense not in HOT State 0x1 Battery temperature sense in HOT State	0x0
[3]	R	S_TS_WARM	TS WARM Status Value Description 0x0 Battery temperature sense not in WARM State 0x1 Battery temperature sense in WARM State	0x0
[2]	R	S_TS_COOL	TS COOL Status Value Description	0x0

1-Cell, 1.5 A Battery Charger PMIC with 20 mA Termination, Ultra-Low IQ Reverse Boost, and I2C

Bit	Type	Field Name	Description	Reset
			0x0 Battery temperature sense not in COOL State 0x1 Battery temperature sense in COOL State	
[1]	R	S_TS_COLD	TS COLD Status Value Description 0x0 Battery temperature sense not in COLD State 0x1 Battery temperature sense in COLD State	0x0
[0]	R	S_TS_OFF	TS OFF Status Value Description 0x0 Battery temperature sense not in OFF State 0x1 Battery temperature sense in OFF State	0x0

Table 31: PMC_STATUS_03 (0x0003)

Bit	Type	Field Name	Description	Reset
[7]	R	S_CHG_SLEEP	CHG SLEEP Status Value Description 0x0 VBUS lower than SLEEP threshold 0x1 VBUS higher than SLEEP threshold	0x0
[6]	R	S_CHG_SPLMT	CHG SPLMT Status Value Description 0x0 VBAT FET not in supplement mode. 0x1 VBAT FET in supplement mode.	0x0
[5]	R	S_CHG_TIMER	CHG TIMER Status Value Description 0x0 Charge timer not expired 0x1 Charge timer expired	0x0
[4]	R	S_CHG_TRICKLE	CHG TRICKLE Status Value Description 0x0 Charger not in trickle charging 0x1 Charger in trickle charging	0x0
[3]	R	S_CHG_PRE	CHG PRE Status Value Description 0x0 Charger not in pre-charge 0x1 Charger in pre-charge	0x0
[2]	R	S_CHG_CC	CHG CC Status	0x0

1-Cell, 1.5 A Battery Charger PMIC with 20 mA Termination, Ultra-Low IQ Reverse Boost, and I2C

Bit	Type	Field Name	Description	Reset
			Value Description 0x0 Charger not in constant-current state 0x1 Charger in constant-current state	
[1]	R	S_CHG_CV	CHG CV Status Value Description 0x0 Charger not in constant-voltage state 0x1 Charger in constant-voltage state	0x0
[0]	R	S_CHG_DONE	CHG DONE Status Value Description 0x0 Charge termination not completed 0x1 Charge termination completed	0x0

Table 32: PMC_STATUS_04 (0x0004)

Bit	Type	Field Name	Description	Reset
[7]	R	S_VSYS_SHUTDOWN	VSYS SHUTDOWN Status Value Description 0x0 VSYS not in SHUTDOWN 0x1 VSYS in SHUTDOWN	0x0
[6]	R	S_REF_OC	REF OC Status Value Description 0x0 REF not in OC 0x1 REF in OC	0x0
[5]	R	S_LDO2_IMON1	LDO2 IMON1 Status Value Description 0x0 LDO2 not in IMON1 0x1 LDO2 in IMON1	0x0
[4]	R	S_LDO2_IMON2	LDO2 IMON2 Status Value Description 0x0 LDO2 not in IMON2 0x1 LDO2 in IMON2	0x0
[3]	R	S_LDO2_OC	LDO2 OC Status Value Description 0x0 LDO2 not in OC 0x1 LDO2 in OC	0x0
[2]	R	S_LDO1_IMON1	LDO1 IMON1 Status Value Description 0x0 LDO1 not in IMON1	0x0

1-Cell, 1.5 A Battery Charger PMIC with 20 mA Termination, Ultra-Low IQ Reverse Boost, and I2C

Bit	Type	Field Name	Description	Reset
			0x1 LDO1 in IMON1	
[1]	R	S_LDO1_IMON2	LDO1 IMON2 Status Value Description 0x0 LDO1 not in IMON2 0x1 LDO1 in IMON2	0x0
[0]	R	S_LDO1_OC	LDO1 OC Status Value Description 0x0 LDO1 not in OC 0x1 LDO1 in OC	0x0

5.2.2 System Events

Table 33: PMC_EVENT_00 (0x0005)

Bit	Type	Field Name	Description	Reset
[7]	RC	E_VBUS_VINDPM	VBUS VINDPM Event register. Clear on read. Value Description 0x0 VBUS not in VINDPM 0x1 VBUS in VINDPM	0x0
[6]	RC	E_VBUS_IINDPM	VBUS IINDPM Event register. Clear on read. Value Description 0x0 VBUS not in IINDPM 0x1 VBUS in IINDPM	0x0
[5]	RC	E_VMID_OC	VMID OC Event register. Clear on read. Value Description 0x0 VMID not in OC 0x1 VMID in OC	0x0
[4]	RC	E_VBAT_OC	VBAT OC Event register. Clear on read. Value Description 0x0 VBAT not in OC 0x1 VBAT in OC	0x0
[3]	RC	E_VBUS_OK	VBUS OK Event register. Clear on read. Value Description 0x0 VBUS not OK 0x1 VBUS OK	0x0
[2]	RC	E_VMID_OK	VMID OK Event register. Clear on read. Value Description 0x0 VMID not OK 0x1 VMID OK	0x0

1-Cell, 1.5 A Battery Charger PMIC with 20 mA Termination, Ultra-Low IQ Reverse Boost, and I2C

Bit	Type	Field Name	Description	Reset
[1]	RC	E_VSYS_OK	VSYS OK Event register. Clear on read. Value Description 0x0 VSYS not OK 0x1 VSYS OK	0x0
[0]	RC	E_VBAT_OK	VBAT OK Event register. Clear on read. Value Description 0x0 VBAT not OK 0x1 VBAT OK	0x0

Table 34: PMC_EVENT_01 (0x0006)

Bit	Type	Field Name	Description	Reset
[7]	RC	E_VBUS_OV	VBUS OV Event register. Clear on read. Value Description 0x0 VBUS not in OV 0x1 VBUS in OV	0x0
[6]	RC	E_VMID_OV	VMID OV Event register. Clear on read. Value Description 0x0 VMID not in OV 0x1 VMID in OV	0x0
[5]	RC	E_VSYS_OV	VSYS OV Event register. Clear on read. Value Description 0x0 VSYS not in OV 0x1 VSYS in OV	0x0
[4]	RC	E_VBAT_OV	VBAT OV Event register. Clear on read. Value Description 0x0 VBAT not in OV 0x1 VBAT in OV	0x0
[3]	RC	E_VBUS_UV	VBUS UV Event register. Clear on read. Value Description 0x0 VBUS not in UV 0x1 VBUS in UV	0x0
[2]	RC	E_VMID_UV	VMID UV Event register. Clear on read. Value Description 0x0 VMID not in UV 0x1 VMID in UV	0x0
[1]	RC	E_VSYS_UV	VSYS UV Event register. Clear on read. Value Description	0x0

1-Cell, 1.5 A Battery Charger PMIC with 20 mA Termination, Ultra-Low IQ Reverse Boost, and I2C

Bit	Type	Field Name	Description	Reset
			0x0 VSYS not in UV 0x1 VSYS in UV	
[0]	RC	E_VBAT_UV	VBAT UV Event register. Clear on read. Value Description 0x0 VBAT not in UV 0x1 VBAT in UV	0x0

Table 35: PMC_EVENT_02 (0x0007)

Bit	Type	Field Name	Description	Reset
[7]	RC	E_TSD_CRIT	TSD CRIT Event register. Clear on read. Value Description 0x0 Junction temperature below critical level. 0x1 Junction temperature above critical level.	0x0
[6]	RC	E_TSD_WARN	TSD WARN Event register. Clear on read. Value Description 0x0 Junction temperature below warning level. 0x1 Junction temperature above warning level.	0x0
[5]	RC	E_WD_TIMER	WD TIMER Event register. Clear on read. Value Description 0x0 Watch-dog timer not expired 0x1 Watch-dog timer expired	0x0
[4]	RC	E_TS_HOT	TS HOT Event register. Clear on read. Value Description 0x0 Battery temperature sense not in HOT State 0x1 Battery temperature sense in HOT State	0x0
[3]	RC	E_TS_WARM	TS WARM Event register. Clear on read. Value Description 0x0 Battery temperature sense not in WARM State 0x1 Battery temperature sense in WARM State	0x0
[2]	RC	E_TS_COOL	TS COOL Event register. Clear on read. Value Description 0x0 Battery temperature sense not in COOL State 0x1 Battery temperature sense in COOL State	0x0

1-Cell, 1.5 A Battery Charger PMIC with 20 mA Termination, Ultra-Low IQ Reverse Boost, and I2C

Bit	Type	Field Name	Description	Reset
[1]	RC	E_TS_COLD	TS COLD Event register. Clear on read. Value Description 0x0 Battery temperature sense not in COLD State 0x1 Battery temperature sense in COLD State	0x0
[0]	RC	E_TS_OFF	TS OFF Event register. Clear on read. Value Description 0x0 Battery temperature sense not in OFF State 0x1 Battery temperature sense in OFF State	0x0

Table 36: PMC_EVENT_03 (0x0008)

Bit	Type	Field Name	Description	Reset
[7]	RC	E_CHG_SLEEP	CHG SLEEP Event register. Clear on read. Value Description 0x0 VBUS lower than SLEEP threshold 0x1 VBUS higher than SLEEP threshold	0x0
[6]	RC	E_CHG_SPLMT	CHG SPLMT Event register. Clear on read. Value Description 0x0 VBAT FET not in supplement mode. 0x1 VBAT FET in supplement mode.	0x0
[5]	RC	E_CHG_TIMER	CHG TIMER Event register. Clear on read. Value Description 0x0 Charge timer not expired 0x1 Charge timer expired	0x0
[4]	RC	E_CHG_TRICKLE	CHG TRICKLE Event register. Clear on read. Value Description 0x0 Charger not in trickle charging 0x1 Charger in trickle charging	0x0
[3]	RC	E_CHG_PRE	CHG PRE Event register. Clear on read. Value Description 0x0 Charger not in pre-charge 0x1 Charger in pre-charge	0x0
[2]	RC	E_CHG_CC	CHG CC Event register. Clear on read. Value Description 0x0 Charger not in constant-current state 0x1 Charger in constant-current state	0x0
[1]	RC	E_CHG_CV	CHG CV Event register. Clear on read.	0x0

1-Cell, 1.5 A Battery Charger PMIC with 20 mA Termination, Ultra-Low IQ Reverse Boost, and I2C

Bit	Type	Field Name	Description	Reset
			Value Description 0x0 Charger not in constant-voltage state 0x1 Charger in constant-voltage state	
[0]	RC	E_CHG_DONE	CHG DONE Event register. Clear on read. Value Description 0x0 Charge termination not completed 0x1 Charge termination completed	0x0

Table 37: PMC_EVENT_04 (0x0009)

Bit	Type	Field Name	Description	Reset
[7]	RC	E_VSYS_SHUTDOWN	VSYS SHUTDOWN Event register. Clear on read. Value Description 0x0 VSYS not in SHUTDOWN 0x1 VSYS in SHUTDOWN	0x0
[6]	RC	E_REF_OC	REF OC Event register. Clear on read. Value Description 0x0 REF not in OC 0x1 REF in OC	0x0
[5]	RC	E_LDO2_IMON1	LDO2 IMON1 Event register. Clear on read. Value Description 0x0 LDO2 not in IMON1 0x1 LDO2 in IMON1	0x0
[4]	RC	E_LDO2_IMON2	LDO2 IMON2 Event register. Clear on read. Value Description 0x0 LDO2 not in IMON2 0x1 LDO2 in IMON2	0x0
[3]	RC	E_LDO2_OC	LDO2 OC Event register. Clear on read. Value Description 0x0 LDO2 not in OC 0x1 LDO2 in OC	0x0
[2]	RC	E_LDO1_IMON1	LDO1 IMON1 Event register. Clear on read. Value Description 0x0 LDO1 not in IMON1 0x1 LDO1 in IMON1	0x0
[1]	RC	E_LDO1_IMON2	LDO1 IMON2 Event register. Clear on read. Value Description 0x0 LDO1 not in IMON2	0x0

1-Cell, 1.5 A Battery Charger PMIC with 20 mA Termination, Ultra-Low IQ Reverse Boost, and I2C

Bit	Type	Field Name	Description	Reset
			0x1 LDO1 in IMON2	
[0]	RC	E_LDO1_OC	LDO1 OC Event register. Clear on read. Value Description 0x0 LDO1 not in OC 0x1 LDO1 in OC	0x0

5.2.3 Interrupt Masks

Table 38: PMC_MASK_00 (0x000A)

Bit	Type	Field Name	Description	Reset
[7]	RW	M_VBUS_VINDPM	INT_N Mask bit for VBUS VINDPM Event Value Description 0x0 Not masked 0x1 Masked	0x1
[6]	RW	M_VBUS_IINDPM	INT_N Mask bit for VBUS IINDPM Event Value Description 0x0 Not masked 0x1 Masked	0x1
[5]	RW	M_VMID_OC	INT_N Mask bit for VMID OC Event Value Description 0x0 Not masked 0x1 Masked	0x1
[4]	RW	M_VBAT_OC	INT_N Mask bit for VBAT OC Event Value Description 0x0 Not masked 0x1 Masked	0x1
[3]	RW	M_VBUS_OK	INT_N Mask bit for VBUS OK Event Value Description 0x0 Not masked 0x1 Masked	0x1
[2]	RW	M_VMID_OK	INT_N Mask bit for VMID OK Event Value Description 0x0 Not masked 0x1 Masked	0x1
[1]	RW	M_VSYS_OK	INT_N Mask bit for VSYS OK Event Value Description 0x0 Not masked 0x1 Masked	0x1

1-Cell, 1.5 A Battery Charger PMIC with 20 mA Termination, Ultra-Low IQ Reverse Boost, and I2C

Bit	Type	Field Name	Description	Reset
[0]	RW	M_VBAT_OK	INT_N Mask bit for VBAT OK Event Value Description 0x0 Not masked 0x1 Masked	0x1

Table 39: PMC_MASK_01 (0x000B)

Bit	Type	Field Name	Description	Reset
[7]	RW	M_VBUS_OV	INT_N Mask bit for VBUS OV Event Value Description 0x0 Not masked 0x1 Masked	0x1
[6]	RW	M_VMID_OV	INT_N Mask bit for VMID OV Event Value Description 0x0 Not masked 0x1 Masked	0x1
[5]	RW	M_VSYS_OV	INT_N Mask bit for VSYS OV Event Value Description 0x0 Not masked 0x1 Masked	0x1
[4]	RW	M_VBAT_OV	INT_N Mask bit for VBAT OV Event Value Description 0x0 Not masked 0x1 Masked	0x1
[3]	RW	M_VBUS_UV	INT_N Mask bit for VBUS UV Event Value Description 0x0 Not masked 0x1 Masked	0x1
[2]	RW	M_VMID_UV	INT_N Mask bit for VMID UV Event Value Description 0x0 Not masked 0x1 Masked	0x1
[1]	RW	M_VSYS_UV	INT_N Mask bit for VSYS UV Event Value Description 0x0 Not masked 0x1 Masked	0x1
[0]	RW	M_VBAT_UV	INT_N Mask bit for VBAT UV Event Value Description	0x1

1-Cell, 1.5 A Battery Charger PMIC with 20 mA Termination, Ultra-Low IQ Reverse Boost, and I2C

Bit	Type	Field Name	Description	Reset
			0x0 Not masked 0x1 Masked	

Table 40: PMC_MASK_02 (0x000C)

Bit	Type	Field Name	Description	Reset
[7]	RW	M_TSD_CRIT	INT_N Mask bit for TSD CRIT Event Value Description 0x0 Not masked 0x1 Masked	0x1
[6]	RW	M_TSD_WARN	INT_N Mask bit for TSD WARN Event Value Description 0x0 Not masked 0x1 Masked	0x1
[5]	RW	M_WD_TIMER	INT_N Mask bit for WD TIMER Event Value Description 0x0 Not masked 0x1 Masked	0x1
[4]	RW	M_TS_HOT	INT_N Mask bit for TS HOT Event Value Description 0x0 Not masked 0x1 Masked	0x1
[3]	RW	M_TS_WARM	INT_N Mask bit for TS WARM Event Value Description 0x0 Not masked 0x1 Masked	0x1
[2]	RW	M_TS_COOL	INT_N Mask bit for TS COOL Event Value Description 0x0 Not masked 0x1 Masked	0x1
[1]	RW	M_TS_COLD	INT_N Mask bit for TS COLD Event Value Description 0x0 Not masked 0x1 Masked	0x1
[0]	RW	M_TS_OFF	INT_N Mask bit for TS OFF Event Value Description 0x0 Not masked 0x1 Masked	0x1

1-Cell, 1.5 A Battery Charger PMIC with 20 mA Termination, Ultra-Low IQ Reverse Boost, and I2C

Table 41: PMC_MASK_03 (0x000D)

Bit	Type	Field Name	Description	Reset
[7]	RW	M_CHG_SLEEP	INT_N Mask bit for CHG SLEEP Event Value Description 0x0 Not masked 0x1 Masked	0x1
[6]	RW	M_CHG_SPLMT	INT_N Mask bit for CHG SPLMT Event Value Description 0x0 Not masked 0x1 Masked	0x1
[5]	RW	M_CHG_TIMER	INT_N Mask bit for CHG TIMER Event Value Description 0x0 Not masked 0x1 Masked	0x1
[4]	RW	M_CHG_TRICKLE	INT_N Mask bit for CHG TRICKLE Event Value Description 0x0 Not masked 0x1 Masked	0x1
[3]	RW	M_CHG_PRE	INT_N Mask bit for CHG PRE Event Value Description 0x0 Not masked 0x1 Masked	0x1
[2]	RW	M_CHG_CC	INT_N Mask bit for CHG CC Event Value Description 0x0 Not masked 0x1 Masked	0x1
[1]	RW	M_CHG_CV	INT_N Mask bit for CHG CV Event Value Description 0x0 Not masked 0x1 Masked	0x1
[0]	RW	M_CHG_DONE	INT_N Mask bit for CHG DONE Event Value Description 0x0 Not masked 0x1 Masked	0x1

Table 42: PMC_MASK_04 (0x000E)

Bit	Type	Field Name	Description	Reset
[7]	RW	M_VSYS_SHUTDOWN	INT_N Mask bit for VSYS SHUTDOWN Event	0x1

1-Cell, 1.5 A Battery Charger PMIC with 20 mA Termination, Ultra-Low IQ Reverse Boost, and I2C

Bit	Type	Field Name	Description	Reset
			Value Description 0x0 Not masked 0x1 Masked	
[6]	RW	M_REF_OC	INT_N Mask bit for REF OC Event Value Description 0x0 Not masked 0x1 Masked	0x1
[5]	RW	M_LDO2_IMON1	INT_N Mask bit for LDO2 IMON1 Event Value Description 0x0 Not masked 0x1 Masked	0x1
[4]	RW	M_LDO2_IMON2	INT_N Mask bit for LDO2 IMON2 Event Value Description 0x0 Not masked 0x1 Masked	0x1
[3]	RW	M_LDO2_OC	INT_N Mask bit for LDO2 OC Event Value Description 0x0 Not masked 0x1 Masked	0x1
[2]	RW	M_LDO1_IMON1	INT_N Mask bit for LDO1 IMON1 Event Value Description 0x0 Not masked 0x1 Masked	0x1
[1]	RW	M_LDO1_IMON2	INT_N Mask bit for LDO1 IMON2 Event Value Description 0x0 Not masked 0x1 Masked	0x1
[0]	RW	M_LDO1_OC	INT_N Mask bit for LDO1 OC Event Value Description 0x0 Not masked 0x1 Masked	0x1

5.2.4 System Settings

Table 43: PMC_SYS_00 (0x000F)

Bit	Type	Field Name	Description	Reset
[7]	RW	E_RD_CLR_DIS	Interrupt event register read-on-clear disable	0x0
[6:4]	RW	VSYS_MIN	VSYS MIN settings (V)	0x3

1-Cell, 1.5 A Battery Charger PMIC with 20 mA Termination, Ultra-Low IQ Reverse Boost, and I2C

Bit	Type	Field Name	Description	Reset
			Value Description 0x4 Reserved 0x5 Reserved 0x6 Reserved 0x7 Reserved 0x0 3.4 0x1 3.5 0x2 3.6 0x3 3.7	
[3:0]	RW	VINDPM	VINDPM threshold setting (V) Value Description 0x00 Disable 0x01 Reserved 0x02 Reserved 0x03 Reserved 0x04 3.8 0x05 3.9 0x06 4.0 0x07 4.1 0x08 4.2 0x09 4.3 0x0A 4.4 0x0B 4.5 0x0C 4.6 0x0D 4.7 0x0E 4.8 0x0F Reserved	0x0B

Table 44: PMC_SYS_01 (0x0010)

Bit	Type	Field Name	Description	Reset
[7]	RW	VSYS_OV_SHUTDOWN_DIS	Disable VSYS shut-down by VSYS_OV Value Description 0x0 System shutdown by VSYS_OV 0x1 No system shutdown by VSYS_OV	0x0
[6]	RW	VSYS_UV_SHUTDOWN_DIS	Disable VSYS shut-down by VSYS_UV	0x1

1-Cell, 1.5 A Battery Charger PMIC with 20 mA Termination, Ultra-Low IQ Reverse Boost, and I2C

Bit	Type	Field Name	Description	Reset
			Value Description 0x0 System shutdown by VSYS_UV 0x1 No system shutdown by VSYS_UV	
[5]	RW	ILIMIT_EN	ILIMIT pin function enable Value Description 0x0 No IINDPM update 0x1 Set IINDPM by ILIMIT pin on VBUS plug-in.	0x0
[4:0]	RW	IINDPM	Input current limit setting (A). Value Description 0x00 0.1 0x01 0.2 0x02 0.3 0x03 0.4 0x04 0.5 0x05 0.6 0x06 0.7 0x07 0.8 0x08 0.9 0x09 1.0 0x0A 1.1 0x0B 1.2 0x0C 1.3 0x0D 1.4 0x0E 1.5 0x0F 1.6 0x10 1.7 0x11 1.8 0x12 1.9 0x13 2.0 0x14 2.1 0x15 2.2 0x16 2.3 0x17 2.4 0x18 2.5 0x19 Reserved 0x1A Reserved	0x04

1-Cell, 1.5 A Battery Charger PMIC with 20 mA Termination, Ultra-Low IQ Reverse Boost, and I2C

Bit	Type	Field Name	Description	Reset
			0x1B Reserved	
			0x1C Reserved	
			0x1D Reserved	
			0x1E Reserved	
			0x1F Reserved	

Table 45: PMC_SYS_02 (0x0011)

Bit	Type	Field Name	Description	Reset										
[7]	RW	BTS_VBAT_RATE	Battery temperature sense interval while in battery operation, must set BTS_VBAT_EN == BTS_VBUS_EN == 0 to update <table border="1"> <thead> <tr> <th>Value</th> <th>Description</th> </tr> </thead> <tbody> <tr> <td>0x0</td> <td>50 ms</td> </tr> <tr> <td>0x1</td> <td>2 sec</td> </tr> </tbody> </table>	Value	Description	0x0	50 ms	0x1	2 sec	0x0				
Value	Description													
0x0	50 ms													
0x1	2 sec													
[6]	RW	BTS_VBAT_EN	Battery temperature sense enable while in battery operation <table border="1"> <thead> <tr> <th>Value</th> <th>Description</th> </tr> </thead> <tbody> <tr> <td>0x0</td> <td>Disable</td> </tr> <tr> <td>0x1</td> <td>Enable</td> </tr> </tbody> </table>	Value	Description	0x0	Disable	0x1	Enable	0x0				
Value	Description													
0x0	Disable													
0x1	Enable													
[5]	RW	BTS_VBUS_RATE	Battery temperature sense interval while VBUS supply present, must set BTS_VBAT_EN == BTS_VBUS_EN == 0 to update <table border="1"> <thead> <tr> <th>Value</th> <th>Description</th> </tr> </thead> <tbody> <tr> <td>0x0</td> <td>50 ms</td> </tr> <tr> <td>0x1</td> <td>2 sec</td> </tr> </tbody> </table>	Value	Description	0x0	50 ms	0x1	2 sec	0x0				
Value	Description													
0x0	50 ms													
0x1	2 sec													
[4]	RW	BTS_VBUS_EN	Battery temperature sense enable while VBUS supply present <table border="1"> <thead> <tr> <th>Value</th> <th>Description</th> </tr> </thead> <tbody> <tr> <td>0x0</td> <td>Disable</td> </tr> <tr> <td>0x1</td> <td>Enable</td> </tr> </tbody> </table>	Value	Description	0x0	Disable	0x1	Enable	0x0				
Value	Description													
0x0	Disable													
0x1	Enable													
[3:2]	RW	VBAT_DEB	VBAT detection debounce time (ms) <table border="1"> <thead> <tr> <th>Value</th> <th>Description</th> </tr> </thead> <tbody> <tr> <td>0x0</td> <td>10</td> </tr> <tr> <td>0x1</td> <td>20</td> </tr> <tr> <td>0x2</td> <td>100</td> </tr> <tr> <td>0x3</td> <td>200</td> </tr> </tbody> </table>	Value	Description	0x0	10	0x1	20	0x2	100	0x3	200	0x0
Value	Description													
0x0	10													
0x1	20													
0x2	100													
0x3	200													
[1:0]	RW	VBUS_DEB	VBUS detection debounce time (ms) <table border="1"> <thead> <tr> <th>Value</th> <th>Description</th> </tr> </thead> <tbody> <tr> <td>0x0</td> <td>10</td> </tr> <tr> <td>0x1</td> <td>20</td> </tr> </tbody> </table>	Value	Description	0x0	10	0x1	20	0x1				
Value	Description													
0x0	10													
0x1	20													

1-Cell, 1.5 A Battery Charger PMIC with 20 mA Termination, Ultra-Low IQ Reverse Boost, and I2C

Bit	Type	Field Name	Description	Reset
			0x2 100	
			0x3 200	

Table 46: PMC_SYS_03 (0x0012)

Bit	Type	Field Name	Description	Reset
[7:6]	RW	SYS_WAIT	VSYS power-off time for system power recovery cycle (s) Value Description 0x0 1 0x1 2 0x2 3 0x3 4	0x0
[5:4]	RW	WD_TMR	Watch-dog timer expire time (s). Write-blocked when WD_EN is High. Value Description 0x0 OFF 0x1 40 0x2 80 0x3 160	0x3
[3]	RW	WD_EN	Watchdog enable Value Description 0x0 No action 0x1 Watchdog enabled	0x0
[2:1]	RW	RST_TMR	RIN_N button press time (s) Value Description 0x0 4 0x1 8 0x2 12 0x3 20	0x2
[0]	W1	RST_REG	Triggers register initialization. Value Description 0x0 No action 0x1 Register reset	0x0

Table 47: PMC_SYS_04 (0x0013)

Bit	Type	Field Name	Description	Reset
[6]	RW	BOOST_PWM	BOOST force-PWM Value Description	0x0

1-Cell, 1.5 A Battery Charger PMIC with 20 mA Termination, Ultra-Low IQ Reverse Boost, and I2C

Bit	Type	Field Name	Description	Reset
			0x0 Auto-mode 0x1 Force-PWM mode	
[5]	RW	SEQ_BOOST	BOOST_EN bit to be controlled by EN pin Value Description 0x0 EN pin toggle has no effect on BOOST_EN 0x1 BOOST_EN is set when EN pin toggles high, and cleared when toggles low	0x1
[4:3]	RW	DLOAD_VMID_SEL	Select dummy-load value on VMID (mA) Value Description 0x0 5 0x1 10 0x2 20 0x3 30	0x3
[2]	RW	DLOAD_VMID_EN	Enable dummy-load on VMID Value Description 0x0 Disable 0x1 Enable	0x0
[1]	RW	REV_VBUS_EN	Enable BOOST supply output from VBUS Value Description 0x0 Disable 0x1 Enable	0x0
[0]	RW	BOOST_EN	Boost enable during battery operation Value Description 0x0 Disable 0x1 Enable	0x0

Table 48: PMC_SYS_05 (0x0014)

Bit	Type	Field Name	Description	Reset
[7:4]	RW	REV_VBUS_ILIM	Boost current limit setting when REV_VBUS_EN = 1 (A) Value Description 0x00 0.1 0x01 0.2 0x02 0.3 0x03 0.4 0x04 0.5 0x05 0.6	0x09

1-Cell, 1.5 A Battery Charger PMIC with 20 mA Termination, Ultra-Low IQ Reverse Boost, and I2C

Bit	Type	Field Name	Description	Reset
			0x06 0.7 0x07 0.8 0x08 0.9 0x09 1.0 0x0A Reserved 0x0B Reserved 0x0C Reserved 0x0D Reserved 0x0E Reserved 0x0F Reserved	
[3:0]	RW	BOOST_VOUT	Boost output voltage settings (V) Value Description 0x0 4.0 0x1 4.1 0x2 4.2 0x3 4.3 0x4 4.4 0x5 4.5 0x6 4.6 0x7 4.7 0x8 4.8 0x9 4.9 0xA 5.0 0xB 5.1 0xC 5.2 0xD 5.3 0xE 5.4 0xF 5.5	0xA

Table 49: PMC_SYS_06 (0x0015)

Bit	Type	Field Name	Description	Reset
[7]	W1	RST_SYS	Triggers VSYS power-cycle Value Description 0x0 No action 0x1 Trigger VSYS power-cycle	0x0
[6]	RW	RIN_N_SHIP_EXIT_TMR	RIN_N debounce time to exit from SHIP_MODE Value Description	0x1

1-Cell, 1.5 A Battery Charger PMIC with 20 mA Termination, Ultra-Low IQ Reverse Boost, and I2C

Bit	Type	Field Name	Description	Reset
			0x0 20 ms 0x1 2 s	
[5:4]	RW	VBUS_OVSEL	VBUS OV settings (V) Value Description 0x0 5.8 0x1 6.2 0x2 8.5 0x3 10.5	0x1
[3]	RW	HIZ_MODE	Hi-Z mode enable. Value Description 0x0 Supply from VBUS when available 0x1 Supply from battery, even when VBUS present	0x0
[2:1]	RW	SHIP_DLY	Ship-mode entry delay time (s) Value Description 0x0 2 0x1 4 0x2 7 0x3 10	0x3
[0]	RW	SHIP_MODE	Ship-mode entry Value Description 0x0 No action 0x1 Enter ship-mode. VBATFET is off.	0x0

5.2.5 Charger Settings

Table 50: PMC_CHG_00 (0x0016)

Bit	Type	Field Name	Description	Reset
[5]	RW	BUCK_PWM	BUCK PWM threshold reduction during charge Value Description 0x0 PWM threshold unchanged while charging 0x1 Lower PWM threshold while charging	0x0
[4]	RW	CHG_VRCHG	Charger recharge threshold offset settings (mV) Value Description 0x0 100 0x1 200	0x0
[3]	RW	CHG_TMR_HALF_EN	Charger safty timer rate reduced to half on selected events.	0x1

1-Cell, 1.5 A Battery Charger PMIC with 20 mA Termination, Ultra-Low IQ Reverse Boost, and I2C

Bit	Type	Field Name	Description	Reset
			Value Description 0x0 Disable 0x1 Enable	
[2]	cfg OTP	CHG_TMR_EN	Charger safty timer enable. Value Description 0x0 Disable 0x1 Enable	0x1
[1]	RW	CHG_TERM_EN	Charger enable termination. Charger state transition to DONE state is enabled. Value Description 0x0 Disable 0x1 Enable	0x1
[0]	RW	CHG_EN	Charger enable register. CHG_EN_N pin level also needs to be low for charging to be enabled. Value Description 0x0 Disable 0x1 Enable	0x0

Table 51: PMC_CHG_01 (0x0017)

Bit	Type	Field Name	Description	Reset
[7:6]	RW	CHG_TMR_SAFE	Charger safety timer setting (h) Value Description 0x0 5 0x1 10 0x2 15 0x3 20	0x0
[5:4]	RW	CHG_TMR_PRE	Pre-charge safety timer setting (min) Value Description 0x0 30 0x1 60 0x2 90 0x3 120	0x0
[3:0]	RW	CHG_TOPOFF	Top off timer (min) Value Description 0x0 Disable TOPOFF 0x1 0.25 0x2 0.5 0x3 1	0x0

1-Cell, 1.5 A Battery Charger PMIC with 20 mA Termination, Ultra-Low IQ Reverse Boost, and I2C

Bit	Type	Field Name	Description	Reset
			0x4 5	
			0x5 10	
			0x6 15	
			0x7 20	
			0x8 25	
			0x9 30	
			0xA 35	
			0xB 40	
			0xC 45	
			0xD 50	
			0xE 55	
			0xF 60	

Table 52: PMC_CHG_02 (0x0018)

Bit	Type	Field Name	Description	Reset
[7]	RW	CHG_IPRE_MSB	Adds offset to pre-charge current setting (mA) Value Description 0x0 +0 0x1 CHG_RANGE = 0 : +20, CHG_RANGE = 1 : +80	0x0
[6]	RW	CHG_RANGE_TERM	Charging current range settings for CHG_ITERM. Only effective when CHG_RANGE = 1. Value Description 0x0 Termination 5-25 mA, in 5 mA steps 0x1 Termination 20 mA to 100 mA, in 20 mA steps	0x0
[5]	RW	CHG_RANGE_PRE	Charging current range settings for CHG_IPRE. Only effective when CHG_RANGE = 1. Value Description 0x0 Pre-charge 5-15 mA, in 5 mA steps 0x1 Pre-charge 20 mA to 60 mA, in 20 mA steps	0x0
[4:2]	RW	CHG_ITERM	Termination charge current setting. (mA) Value Description 0x0 Reserved 0x1 CHG_RANGE = 0 : 5, CHG_RANGE = 1 : 20 0x2 CHG_RANGE = 0 : 10, CHG_RANGE = 1 : 40	0x3

1-Cell, 1.5 A Battery Charger PMIC with 20 mA Termination, Ultra-Low IQ Reverse Boost, and I2C

Bit	Type	Field Name	Description	Reset
			0x3 CHG_RANGE = 0 : 15, CHG_RANGE = 1 : 60 0x4 CHG_RANGE = 0 : 20, CHG_RANGE = 1 : 80 0x5 CHG_RANGE = 0 : 25, CHG_RANGE = 1 : 100 0x6 Reserved 0x7 Reserved	
[1:0]	RW	CHG_IPRE	Pre-charge current setting. (mA) Value Description 0x0 0, Use only when CHG_IPRE_MSB=1 0x1 CHG_RANGE = 0 : 5, CHG_RANGE = 1 : 20 0x2 CHG_RANGE = 0 : 10, CHG_RANGE = 1 : 40 0x3 CHG_RANGE = 0 : 15, CHG_RANGE = 1 : 60	0x3

Table 53: PMC_CHG_03 (0x0019)

Bit	Type	Field Name	Description	Reset
[7]	RW	CHG_RANGE	Charging current range settings Value Description 0x0 Fast-charge 5 mA to 500 mA in 5 mA steps, also forces CHG_RANGE for CHG_ITERM and CHG_IPRE to 0 0x1 Fast charge 20 mA to 2000 mA in 20 mA steps. CHG_RANGE_PRE and CHG_RANGE_TERM are effective	0x0
[6:0]	RW	CHG_ICHG	Fast charge current setting. (mA) Value Description 0x00 Reserved 0x01 CHG_RANGE = 0 : 5, CHG_RANGE = 1 : 20 0x02 CHG_RANGE = 0 : 10, CHG_RANGE = 1 : 40 0x03 CHG_RANGE = 0 : 15, CHG_RANGE = 1 : 60 0x04 CHG_RANGE = 0 : 20, CHG_RANGE = 1 : 80 0x05 CHG_RANGE = 0 : 25, CHG_RANGE = 1 : 100 0x06 CHG_RANGE = 0 : 30, CHG_RANGE = 1 : 120	0x19

1-Cell, 1.5 A Battery Charger PMIC with 20 mA Termination, Ultra-Low IQ Reverse Boost, and I2C

Bit	Type	Field Name	Description	Reset
			0x07 CHG_RANGE = 0 : 35, CHG_RANGE = 1 : 140	
			0x08 CHG_RANGE = 0 : 40, CHG_RANGE = 1 : 160	
			0x09 CHG_RANGE = 0 : 45, CHG_RANGE = 1 : 180	
			0x0A CHG_RANGE = 0 : 50, CHG_RANGE = 1 : 200	
			0x0B CHG_RANGE = 0 : 55, CHG_RANGE = 1 : 220	
			0x0C CHG_RANGE = 0 : 60, CHG_RANGE = 1 : 240	
			0x0D CHG_RANGE = 0 : 65, CHG_RANGE = 1 : 260	
			0x0E CHG_RANGE = 0 : 70, CHG_RANGE = 1 : 280	
			0x0F CHG_RANGE = 0 : 75, CHG_RANGE = 1 : 300	
			0x10 CHG_RANGE = 0 : 80, CHG_RANGE = 1 : 320	
			0x11 CHG_RANGE = 0 : 85, CHG_RANGE = 1 : 340	
			0x12 CHG_RANGE = 0 : 90, CHG_RANGE = 1 : 360	
			0x13 CHG_RANGE = 0 : 95, CHG_RANGE = 1 : 380	
			0x14 CHG_RANGE = 0 : 100, CHG_RANGE = 1 : 400	
			0x15 CHG_RANGE = 0 : 105, CHG_RANGE = 1 : 420	
			0x16 CHG_RANGE = 0 : 110, CHG_RANGE = 1 : 440	
			0x17 CHG_RANGE = 0 : 115, CHG_RANGE = 1 : 460	
			0x18 CHG_RANGE = 0 : 120, CHG_RANGE = 1 : 480	
			0x19 CHG_RANGE = 0 : 125, CHG_RANGE = 1 : 500	
			0x1A CHG_RANGE = 0 : 130, CHG_RANGE = 1 : 520	
			0x1B CHG_RANGE = 0 : 135, CHG_RANGE = 1 : 540	
			0x1C CHG_RANGE = 0 : 140, CHG_RANGE = 1 : 560	
			0x1D CHG_RANGE = 0 : 145, CHG_RANGE = 1 : 580	

1-Cell, 1.5 A Battery Charger PMIC with 20 mA Termination, Ultra-Low IQ Reverse Boost, and I2C

Bit	Type	Field Name	Description	Reset
			0x1E CHG_RANGE = 0 : 150, CHG_RANGE = 1 : 600	
			0x1F CHG_RANGE = 0 : 155, CHG_RANGE = 1 : 620	
			0x20 CHG_RANGE = 0 : 160, CHG_RANGE = 1 : 640	
			0x21 CHG_RANGE = 0 : 165, CHG_RANGE = 1 : 660	
			0x22 CHG_RANGE = 0 : 170, CHG_RANGE = 1 : 680	
			0x23 CHG_RANGE = 0 : 175, CHG_RANGE = 1 : 700	
			0x24 CHG_RANGE = 0 : 180, CHG_RANGE = 1 : 720	
			0x25 CHG_RANGE = 0 : 185, CHG_RANGE = 1 : 740	
			0x26 CHG_RANGE = 0 : 190, CHG_RANGE = 1 : 760	
			0x27 CHG_RANGE = 0 : 195, CHG_RANGE = 1 : 780	
			0x28 CHG_RANGE = 0 : 200, CHG_RANGE = 1 : 800	
			0x29 CHG_RANGE = 0 : 205, CHG_RANGE = 1 : 820	
			0x2A CHG_RANGE = 0 : 210, CHG_RANGE = 1 : 840	
			0x2B CHG_RANGE = 0 : 215, CHG_RANGE = 1 : 860	
			0x2C CHG_RANGE = 0 : 220, CHG_RANGE = 1 : 880	
			0x2D CHG_RANGE = 0 : 225, CHG_RANGE = 1 : 900	
			0x2E CHG_RANGE = 0 : 230, CHG_RANGE = 1 : 920	
			0x2F CHG_RANGE = 0 : 235, CHG_RANGE = 1 : 940	
			0x30 CHG_RANGE = 0 : 240, CHG_RANGE = 1 : 960	
			0x31 CHG_RANGE = 0 : 245, CHG_RANGE = 1 : 980	
			0x32 CHG_RANGE = 0 : 250, CHG_RANGE = 1 : 1000	
			0x33 CHG_RANGE = 0 : 255, CHG_RANGE = 1 : 1020	
			0x34 CHG_RANGE = 0 : 260, CHG_RANGE = 1 : 1040	

1-Cell, 1.5 A Battery Charger PMIC with 20 mA Termination, Ultra-Low IQ Reverse Boost, and I2C

Bit	Type	Field Name	Description	Reset
			0x35 CHG_RANGE = 0 : 265, CHG_RANGE = 1 : 1060	
			0x36 CHG_RANGE = 0 : 270, CHG_RANGE = 1 : 1080	
			0x37 CHG_RANGE = 0 : 275, CHG_RANGE = 1 : 1100	
			0x38 CHG_RANGE = 0 : 280, CHG_RANGE = 1 : 1120	
			0x39 CHG_RANGE = 0 : 285, CHG_RANGE = 1 : 1140	
			0x3A CHG_RANGE = 0 : 290, CHG_RANGE = 1 : 1160	
			0x3B CHG_RANGE = 0 : 295, CHG_RANGE = 1 : 1180	
			0x3C CHG_RANGE = 0 : 300, CHG_RANGE = 1 : 1200	
			0x3D CHG_RANGE = 0 : 305, CHG_RANGE = 1 : 1220	
			0x3E CHG_RANGE = 0 : 310, CHG_RANGE = 1 : 1240	
			0x3F CHG_RANGE = 0 : 315, CHG_RANGE = 1 : 1260	
			0x40 CHG_RANGE = 0 : 320, CHG_RANGE = 1 : 1280	
			0x41 CHG_RANGE = 0 : 325, CHG_RANGE = 1 : 1300	
			0x42 CHG_RANGE = 0 : 330, CHG_RANGE = 1 : 1320	
			0x43 CHG_RANGE = 0 : 335, CHG_RANGE = 1 : 1340	
			0x44 CHG_RANGE = 0 : 340, CHG_RANGE = 1 : 1360	
			0x45 CHG_RANGE = 0 : 345, CHG_RANGE = 1 : 1380	
			0x46 CHG_RANGE = 0 : 350, CHG_RANGE = 1 : 1400	
			0x47 CHG_RANGE = 0 : 355, CHG_RANGE = 1 : 1420	
			0x48 CHG_RANGE = 0 : 360, CHG_RANGE = 1 : 1440	
			0x49 CHG_RANGE = 0 : 365, CHG_RANGE = 1 : 1460	
			0x4A CHG_RANGE = 0 : 370, CHG_RANGE = 1 : 1480	
			0x4B CHG_RANGE = 0 : 375, CHG_RANGE = 1 : 1500	

1-Cell, 1.5 A Battery Charger PMIC with 20 mA Termination, Ultra-Low IQ Reverse Boost, and I2C

Bit	Type	Field Name	Description	Reset
			0x4C CHG_RANGE = 0 : 380, CHG_RANGE = 1 : 1520	
			0x4D CHG_RANGE = 0 : 385, CHG_RANGE = 1 : 1540	
			0x4E CHG_RANGE = 0 : 390, CHG_RANGE = 1 : 1560	
			0x4F CHG_RANGE = 0 : 395, CHG_RANGE = 1 : 1580	
			0x50 CHG_RANGE = 0 : 400, CHG_RANGE = 1 : 1600	
			0x51 CHG_RANGE = 0 : 405, CHG_RANGE = 1 : 1620	
			0x52 CHG_RANGE = 0 : 410, CHG_RANGE = 1 : 1640	
			0x53 CHG_RANGE = 0 : 415, CHG_RANGE = 1 : 1660	
			0x54 CHG_RANGE = 0 : 420, CHG_RANGE = 1 : 1680	
			0x55 CHG_RANGE = 0 : 425, CHG_RANGE = 1 : 1700	
			0x56 CHG_RANGE = 0 : 430, CHG_RANGE = 1 : 1720	
			0x57 CHG_RANGE = 0 : 435, CHG_RANGE = 1 : 1740	
			0x58 CHG_RANGE = 0 : 440, CHG_RANGE = 1 : 1760	
			0x59 CHG_RANGE = 0 : 445, CHG_RANGE = 1 : 1780	
			0x5A CHG_RANGE = 0 : 450, CHG_RANGE = 1 : 1800	
			0x5B CHG_RANGE = 0 : 455, CHG_RANGE = 1 : 1820	
			0x5C CHG_RANGE = 0 : 460, CHG_RANGE = 1 : 1840	
			0x5D CHG_RANGE = 0 : 465, CHG_RANGE = 1 : 1860	
			0x5E CHG_RANGE = 0 : 470, CHG_RANGE = 1 : 1880	
			0x5F CHG_RANGE = 0 : 475, CHG_RANGE = 1 : 1900	
			0x60 CHG_RANGE = 0 : 480, CHG_RANGE = 1 : 1920	
			0x61 CHG_RANGE = 0 : 485, CHG_RANGE = 1 : 1940	
			0x62 CHG_RANGE = 0 : 490, CHG_RANGE = 1 : 1960	

1-Cell, 1.5 A Battery Charger PMIC with 20 mA Termination, Ultra-Low IQ Reverse Boost, and I2C

Bit	Type	Field Name	Description	Reset
			0x63 CHG_RANGE = 0 : 495, CHG_RANGE = 1 : 1980	
			0x64 CHG_RANGE = 0 : 500, CHG_RANGE = 1 : 2000	
			0x65 Reserved	
			0x7F Reserved	

Table 54: PMC_CHG_04 (0x001A)

Bit	Type	Field Name	Description	Reset
[5:0]	RW	CHG_VBATREG	Battery voltage regulation setting (V). 10 mV step.	0x17
			Value Description	
			0x00 Reserved	
			0x01 Reserved	
			0x02 Reserved	
			0x03 4.00	
			0x04 4.01	
			0x05 4.02	
			0x06 4.03	
			0x07 4.04	
			0x08 4.05	
			0x09 4.06	
			0x0A 4.07	
			0x0B 4.08	
			0x0C 4.09	
			0x0D 4.10	
			0x0E 4.11	
			0x0F 4.12	
			0x10 4.13	
			0x11 4.14	
			0x12 4.15	
			0x13 4.16	
			0x14 4.17	
			0x15 4.18	
			0x16 4.19	
			0x17 4.20	
			0x18 4.21	
			0x19 4.22	
			0x1A 4.23	

1-Cell, 1.5 A Battery Charger PMIC with 20 mA Termination, Ultra-Low IQ Reverse Boost, and I2C

Bit	Type	Field Name	Description	Reset
			0x1B 4.24	
			0x1C 4.25	
			0x1D 4.26	
			0x1E 4.27	
			0x1F 4.28	
			0x20 4.29	
			0x21 4.30	
			0x22 4.31	
			0x23 4.32	
			0x24 4.33	
			0x25 4.34	
			0x26 4.35	
			0x27 4.36	
			0x28 4.37	
			0x29 4.38	
			0x2A 4.39	
			0x2B 4.40	
			0x2C 4.41	
			0x2D 4.42	
			0x2E 4.43	
			0x2F 4.44	
			0x30 4.45	
			0x31 4.46	
			0x32 4.47	
			0x33 4.48	
			0x34 4.49	
			0x35 4.50	
			0x36 Reserved	
			0x37 Reserved	
			0x38 Reserved	
			0x39 Reserved	
			0x3A Reserved	
			0x3B Reserved	
			0x3C Reserved	
			0x3D Reserved	
			0x3E Reserved	

1-Cell, 1.5 A Battery Charger PMIC with 20 mA Termination, Ultra-Low IQ Reverse Boost, and I2C

Bit	Type	Field Name	Description	Reset
			0x3F Reserved	

Table 55: PMC_CHG_05 (0x001B)

Bit	Type	Field Name	Description	Reset
[7]	RW	IO_INT_N_PU	INT_N pin internal pull-up Value Description 0x0 Disable 0x1 Enable	0x0
[6]	RW	IO_EN_PD	EN pin internal pull-down Value Description 0x0 Disable 0x1 Enable	0x0
[5]	RW	IO_CHG_EN_N_PD	CHG_EN_N pin internal pull-down Value Description 0x0 Disable 0x1 Enable	0x0
[2]	RW	TS_VBATREG_SHIFT	Battery voltage regulation setting down-shift during TS event (mV). Value Description 0x0 100 0x1 200	0x0
[1]	RW	CHG_TS_WARM_V	Charger VBATREG is shifted by TS_VBATREG_SHIFT, and termination disabled during TS_WARM. Value Description 0x0 Disable 0x1 Enable	0x0
[0]	RW	CHG_TS_COOL_I	Charger ICHG is set to TS_ICHG on TS_COOL. Charge termination disabled during TS_COOL. Value Description 0x0 Disable 0x1 Enable	0x0

Table 56: PMC_CHG_06 (0x001C)

Bit	Type	Field Name	Description	Reset
[6:0]	RW	TS_ICHG	Fast charge current setting during TS event. (mA) Value Description 0x00 Reserved 0x01 CHG_RANGE = 0 : 5, CHG_RANGE = 1 : 20	0x0C

1-Cell, 1.5 A Battery Charger PMIC with 20 mA Termination, Ultra-Low IQ Reverse Boost, and I2C

Bit	Type	Field Name	Description	Reset
			0x02 CHG_RANGE = 0 : 10, CHG_RANGE = 1 : 40	
			0x03 CHG_RANGE = 0 : 15, CHG_RANGE = 1 : 60	
			0x04 CHG_RANGE = 0 : 20, CHG_RANGE = 1 : 80	
			0x05 CHG_RANGE = 0 : 25, CHG_RANGE = 1 : 100	
			0x06 CHG_RANGE = 0 : 30, CHG_RANGE = 1 : 120	
			0x07 CHG_RANGE = 0 : 35, CHG_RANGE = 1 : 140	
			0x08 CHG_RANGE = 0 : 40, CHG_RANGE = 1 : 160	
			0x09 CHG_RANGE = 0 : 45, CHG_RANGE = 1 : 180	
			0x0A CHG_RANGE = 0 : 50, CHG_RANGE = 1 : 200	
			0x0B CHG_RANGE = 0 : 55, CHG_RANGE = 1 : 220	
			0x0C CHG_RANGE = 0 : 60, CHG_RANGE = 1 : 240	
			0x0D CHG_RANGE = 0 : 65, CHG_RANGE = 1 : 260	
			0x0E CHG_RANGE = 0 : 70, CHG_RANGE = 1 : 280	
			0x0F CHG_RANGE = 0 : 75, CHG_RANGE = 1 : 300	
			0x10 CHG_RANGE = 0 : 80, CHG_RANGE = 1 : 320	
			0x11 CHG_RANGE = 0 : 85, CHG_RANGE = 1 : 340	
			0x12 CHG_RANGE = 0 : 90, CHG_RANGE = 1 : 360	
			0x13 CHG_RANGE = 0 : 95, CHG_RANGE = 1 : 380	
			0x14 CHG_RANGE = 0 : 100, CHG_RANGE = 1 : 400	
			0x15 CHG_RANGE = 0 : 105, CHG_RANGE = 1 : 420	
			0x16 CHG_RANGE = 0 : 110, CHG_RANGE = 1 : 440	
			0x17 CHG_RANGE = 0 : 115, CHG_RANGE = 1 : 460	
			0x18 CHG_RANGE = 0 : 120, CHG_RANGE = 1 : 480	

1-Cell, 1.5 A Battery Charger PMIC with 20 mA Termination, Ultra-Low IQ Reverse Boost, and I2C

Bit	Type	Field Name	Description	Reset
			0x19 CHG_RANGE = 0 : 125, CHG_RANGE = 1 : 500	
			0x1A CHG_RANGE = 0 : 130, CHG_RANGE = 1 : 520	
			0x1B CHG_RANGE = 0 : 135, CHG_RANGE = 1 : 540	
			0x1C CHG_RANGE = 0 : 140, CHG_RANGE = 1 : 560	
			0x1D CHG_RANGE = 0 : 145, CHG_RANGE = 1 : 580	
			0x1E CHG_RANGE = 0 : 150, CHG_RANGE = 1 : 600	
			0x1F CHG_RANGE = 0 : 155, CHG_RANGE = 1 : 620	
			0x20 CHG_RANGE = 0 : 160, CHG_RANGE = 1 : 640	
			0x21 CHG_RANGE = 0 : 165, CHG_RANGE = 1 : 660	
			0x22 CHG_RANGE = 0 : 170, CHG_RANGE = 1 : 680	
			0x23 CHG_RANGE = 0 : 175, CHG_RANGE = 1 : 700	
			0x24 CHG_RANGE = 0 : 180, CHG_RANGE = 1 : 720	
			0x25 CHG_RANGE = 0 : 185, CHG_RANGE = 1 : 740	
			0x26 CHG_RANGE = 0 : 190, CHG_RANGE = 1 : 760	
			0x27 CHG_RANGE = 0 : 195, CHG_RANGE = 1 : 780	
			0x28 CHG_RANGE = 0 : 200, CHG_RANGE = 1 : 800	
			0x29 CHG_RANGE = 0 : 205, CHG_RANGE = 1 : 820	
			0x2A CHG_RANGE = 0 : 210, CHG_RANGE = 1 : 840	
			0x2B CHG_RANGE = 0 : 215, CHG_RANGE = 1 : 860	
			0x2C CHG_RANGE = 0 : 220, CHG_RANGE = 1 : 880	
			0x2D CHG_RANGE = 0 : 225, CHG_RANGE = 1 : 900	
			0x2E CHG_RANGE = 0 : 230, CHG_RANGE = 1 : 920	
			0x2F CHG_RANGE = 0 : 235, CHG_RANGE = 1 : 940	

1-Cell, 1.5 A Battery Charger PMIC with 20 mA Termination, Ultra-Low IQ Reverse Boost, and I2C

Bit	Type	Field Name	Description	Reset
			0x30 CHG_RANGE = 0 : 240, CHG_RANGE = 1 : 960	
			0x31 CHG_RANGE = 0 : 245, CHG_RANGE = 1 : 980	
			0x32 CHG_RANGE = 0 : 250, CHG_RANGE = 1 : 1000	
			0x33 CHG_RANGE = 0 : 255, CHG_RANGE = 1 : 1020	
			0x34 CHG_RANGE = 0 : 260, CHG_RANGE = 1 : 1040	
			0x35 CHG_RANGE = 0 : 265, CHG_RANGE = 1 : 1060	
			0x36 CHG_RANGE = 0 : 270, CHG_RANGE = 1 : 1080	
			0x37 CHG_RANGE = 0 : 275, CHG_RANGE = 1 : 1100	
			0x38 CHG_RANGE = 0 : 280, CHG_RANGE = 1 : 1120	
			0x39 CHG_RANGE = 0 : 285, CHG_RANGE = 1 : 1140	
			0x3A CHG_RANGE = 0 : 290, CHG_RANGE = 1 : 1160	
			0x3B CHG_RANGE = 0 : 295, CHG_RANGE = 1 : 1180	
			0x3C CHG_RANGE = 0 : 300, CHG_RANGE = 1 : 1200	
			0x3D CHG_RANGE = 0 : 305, CHG_RANGE = 1 : 1220	
			0x3E CHG_RANGE = 0 : 310, CHG_RANGE = 1 : 1240	
			0x3F CHG_RANGE = 0 : 315, CHG_RANGE = 1 : 1260	
			0x40 CHG_RANGE = 0 : 320, CHG_RANGE = 1 : 1280	
			0x41 CHG_RANGE = 0 : 325, CHG_RANGE = 1 : 1300	
			0x42 CHG_RANGE = 0 : 330, CHG_RANGE = 1 : 1320	
			0x43 CHG_RANGE = 0 : 335, CHG_RANGE = 1 : 1340	
			0x44 CHG_RANGE = 0 : 340, CHG_RANGE = 1 : 1360	
			0x45 CHG_RANGE = 0 : 345, CHG_RANGE = 1 : 1380	
			0x46 CHG_RANGE = 0 : 350, CHG_RANGE = 1 : 1400	

1-Cell, 1.5 A Battery Charger PMIC with 20 mA Termination, Ultra-Low IQ Reverse Boost, and I2C

Bit	Type	Field Name	Description	Reset
			0x47 CHG_RANGE = 0 : 355, CHG_RANGE = 1 : 1420	
			0x48 CHG_RANGE = 0 : 360, CHG_RANGE = 1 : 1440	
			0x49 CHG_RANGE = 0 : 365, CHG_RANGE = 1 : 1460	
			0x4A CHG_RANGE = 0 : 370, CHG_RANGE = 1 : 1480	
			0x4B CHG_RANGE = 0 : 375, CHG_RANGE = 1 : 1500	
			0x4C CHG_RANGE = 0 : 380, CHG_RANGE = 1 : 1520	
			0x4D CHG_RANGE = 0 : 385, CHG_RANGE = 1 : 1540	
			0x4E CHG_RANGE = 0 : 390, CHG_RANGE = 1 : 1560	
			0x4F CHG_RANGE = 0 : 395, CHG_RANGE = 1 : 1580	
			0x50 CHG_RANGE = 0 : 400, CHG_RANGE = 1 : 1600	
			0x51 CHG_RANGE = 0 : 405, CHG_RANGE = 1 : 1620	
			0x52 CHG_RANGE = 0 : 410, CHG_RANGE = 1 : 1640	
			0x53 CHG_RANGE = 0 : 415, CHG_RANGE = 1 : 1660	
			0x54 CHG_RANGE = 0 : 420, CHG_RANGE = 1 : 1680	
			0x55 CHG_RANGE = 0 : 425, CHG_RANGE = 1 : 1700	
			0x56 CHG_RANGE = 0 : 430, CHG_RANGE = 1 : 1720	
			0x57 CHG_RANGE = 0 : 435, CHG_RANGE = 1 : 1740	
			0x58 CHG_RANGE = 0 : 440, CHG_RANGE = 1 : 1760	
			0x59 CHG_RANGE = 0 : 445, CHG_RANGE = 1 : 1780	
			0x5A CHG_RANGE = 0 : 450, CHG_RANGE = 1 : 1800	
			0x5B CHG_RANGE = 0 : 455, CHG_RANGE = 1 : 1820	
			0x5C CHG_RANGE = 0 : 460, CHG_RANGE = 1 : 1840	
			0x5D CHG_RANGE = 0 : 465, CHG_RANGE = 1 : 1860	

1-Cell, 1.5 A Battery Charger PMIC with 20 mA Termination, Ultra-Low IQ Reverse Boost, and I2C

Bit	Type	Field Name	Description	Reset
			0x5E CHG_RANGE = 0 : 470, CHG_RANGE = 1 : 1880	
			0x5F CHG_RANGE = 0 : 475, CHG_RANGE = 1 : 1900	
			0x60 CHG_RANGE = 0 : 480, CHG_RANGE = 1 : 1920	
			0x61 CHG_RANGE = 0 : 485, CHG_RANGE = 1 : 1940	
			0x62 CHG_RANGE = 0 : 490, CHG_RANGE = 1 : 1960	
			0x63 CHG_RANGE = 0 : 495, CHG_RANGE = 1 : 1980	
			0x64 CHG_RANGE = 0 : 500, CHG_RANGE = 1 : 2000	
			0x65 Reserved	
			0x7F Reserved	

5.2.6 LDO Settings

Table 57: PMC_LDO_00 (0x001D)

Bit	Type	Field Name	Description	Reset
[7]	RW	LDO2_OCP	LDO2 OCP mode. Value Description 0x0 Disable 0x1 Enable hiccup of 10 ms interval.	0x0
[6]	RW	LDO2_PD	LDO2 pull-down enable Value Description 0x0 Disable 0x1 Enable	0x1
[5]	RW	LDO2_LSW	LDO2 load-switch mode, write-blocked when LDO2 is High Value Description 0x0 LDO mode 0x1 Load-switch mode	0x0
[4]	RW	LDO2_EN	LDO2 enable Value Description 0x0 Disable 0x1 Enable	0x0
[3]	RW	LDO1_OCP	LDO1 OCP mode. Value Description 0x0 Disable	0x0

1-Cell, 1.5 A Battery Charger PMIC with 20 mA Termination, Ultra-Low IQ Reverse Boost, and I2C

Bit	Type	Field Name	Description	Reset
			0x1 Enable hiccup of 10 ms interval.	
[2]	RW	LDO1_PD	LDO1 pull-down enable Value Description 0x0 Disable 0x1 Enable	0x1
[1]	RW	LDO1_LSW	LDO1 load-switch mode, write-blocked when LDO1 is High Value Description 0x0 LDO mode 0x1 Load-switch mode	0x0
[0]	RW	LDO1_EN	LDO1 enable Value Description 0x0 Disable 0x1 Enable	0x0

Table 58: PMC_LDO_01 (0x001E)

Bit	Type	Field Name	Description	Reset
[7:6]	RW	SEQ_LDO1	LDO1 enable by EN pin. Value Description 0x0 LDO1 not enabled by EN pin 0x1 Enable LDO1 ASAP after EN pin rise. 0x2 Enable LDO1 0.25 ms after EN pin rise. 0x3 Enable LDO1 0.5 ms after EN pin rise.	0x0
[5:0]	RW	LDO1_VOUT	LDO1 output voltage setting (V), when LDO1_LSW is 0. Value Description 0x00 1.6 0x01 1.7 0x02 1.8 0x03 1.9 0x04 2.0 0x05 2.1 0x06 2.2 0x07 2.3 0x08 2.4 0x09 2.5 0x0A 2.6 0x0B 2.7	0x22

1-Cell, 1.5 A Battery Charger PMIC with 20 mA Termination, Ultra-Low IQ Reverse Boost, and I2C

Bit	Type	Field Name	Description	Reset
			0x0C 2.8	
			0x0D 2.9	
			0x0E 3.0	
			0x0F 3.1	
			0x10 3.2	
			0x11 3.3	
			0x12 3.4	
			0x13 3.5	
			0x14 3.6	
			0x15 3.7	
			0x16 3.8	
			0x17 3.9	
			0x18 4.0	
			0x19 4.1	
			0x1A 4.2	
			0x1B 4.3	
			0x1C 4.4	
			0x1D 4.5	
			0x1E 4.6	
			0x1F 4.7	
			0x20 4.8	
			0x21 4.9	
			0x22 5.0	
			0x23 5.1	
			0x24 5.2	
			0x25 Reserved	
			0x3F Reserved	

Table 59: PMC_LDO_02 (0x001F)

Bit	Type	Field Name	Description	Reset
[7:6]	RW	SEQ_LDO2	LDO2 enable by EN pin. Value Description 0x0 LDO2 not enabled by EN pin 0x1 EnableLDO2 ASAP after EN pin rise. 0x2 Enable LDO2 0.25 ms after EN pin rise. 0x3 Enable LDO2 0.5 ms after EN pin rise.	0x0

1-Cell, 1.5 A Battery Charger PMIC with 20 mA Termination, Ultra-Low IQ Reverse Boost, and I2C

Bit	Type	Field Name	Description	Reset																																																																						
[5:0]	RW	LDO2_VOUT	LDO2 output voltage setting (V), when LDO2_LSW is 0.	0x22																																																																						
			<table border="1"> <thead> <tr> <th>Value</th> <th>Description</th> </tr> </thead> <tbody> <tr><td>0x00</td><td>1.6</td></tr> <tr><td>0x01</td><td>1.7</td></tr> <tr><td>0x02</td><td>1.8</td></tr> <tr><td>0x03</td><td>1.9</td></tr> <tr><td>0x04</td><td>2.0</td></tr> <tr><td>0x05</td><td>2.1</td></tr> <tr><td>0x06</td><td>2.2</td></tr> <tr><td>0x07</td><td>2.3</td></tr> <tr><td>0x08</td><td>2.4</td></tr> <tr><td>0x09</td><td>2.5</td></tr> <tr><td>0x0A</td><td>2.6</td></tr> <tr><td>0x0B</td><td>2.7</td></tr> <tr><td>0x0C</td><td>2.8</td></tr> <tr><td>0x0D</td><td>2.9</td></tr> <tr><td>0x0E</td><td>3.0</td></tr> <tr><td>0x0F</td><td>3.1</td></tr> <tr><td>0x10</td><td>3.2</td></tr> <tr><td>0x11</td><td>3.3</td></tr> <tr><td>0x12</td><td>3.4</td></tr> <tr><td>0x13</td><td>3.5</td></tr> <tr><td>0x14</td><td>3.6</td></tr> <tr><td>0x15</td><td>3.7</td></tr> <tr><td>0x16</td><td>3.8</td></tr> <tr><td>0x17</td><td>3.9</td></tr> <tr><td>0x18</td><td>4.0</td></tr> <tr><td>0x19</td><td>4.1</td></tr> <tr><td>0x1A</td><td>4.2</td></tr> <tr><td>0x1B</td><td>4.3</td></tr> <tr><td>0x1C</td><td>4.4</td></tr> <tr><td>0x1D</td><td>4.5</td></tr> <tr><td>0x1E</td><td>4.6</td></tr> <tr><td>0x1F</td><td>4.7</td></tr> <tr><td>0x20</td><td>4.8</td></tr> <tr><td>0x21</td><td>4.9</td></tr> </tbody> </table>	Value	Description	0x00	1.6	0x01	1.7	0x02	1.8	0x03	1.9	0x04	2.0	0x05	2.1	0x06	2.2	0x07	2.3	0x08	2.4	0x09	2.5	0x0A	2.6	0x0B	2.7	0x0C	2.8	0x0D	2.9	0x0E	3.0	0x0F	3.1	0x10	3.2	0x11	3.3	0x12	3.4	0x13	3.5	0x14	3.6	0x15	3.7	0x16	3.8	0x17	3.9	0x18	4.0	0x19	4.1	0x1A	4.2	0x1B	4.3	0x1C	4.4	0x1D	4.5	0x1E	4.6	0x1F	4.7	0x20	4.8	0x21	4.9	
Value	Description																																																																									
0x00	1.6																																																																									
0x01	1.7																																																																									
0x02	1.8																																																																									
0x03	1.9																																																																									
0x04	2.0																																																																									
0x05	2.1																																																																									
0x06	2.2																																																																									
0x07	2.3																																																																									
0x08	2.4																																																																									
0x09	2.5																																																																									
0x0A	2.6																																																																									
0x0B	2.7																																																																									
0x0C	2.8																																																																									
0x0D	2.9																																																																									
0x0E	3.0																																																																									
0x0F	3.1																																																																									
0x10	3.2																																																																									
0x11	3.3																																																																									
0x12	3.4																																																																									
0x13	3.5																																																																									
0x14	3.6																																																																									
0x15	3.7																																																																									
0x16	3.8																																																																									
0x17	3.9																																																																									
0x18	4.0																																																																									
0x19	4.1																																																																									
0x1A	4.2																																																																									
0x1B	4.3																																																																									
0x1C	4.4																																																																									
0x1D	4.5																																																																									
0x1E	4.6																																																																									
0x1F	4.7																																																																									
0x20	4.8																																																																									
0x21	4.9																																																																									

1-Cell, 1.5 A Battery Charger PMIC with 20 mA Termination, Ultra-Low IQ Reverse Boost, and I2C

Bit	Type	Field Name	Description	Reset
			0x22 5.0 0x23 5.1 0x24 5.2 0x25 Reserved 0x3F Reserved	

Table 60: PMC_LDO_04 (0x0021)

Bit	Type	Field Name	Description	Reset
[7]	RW	SYS_WAIT_CFG	Configuration for SYS_WAIT Value Description 0x0 Default setting 0x1 Wait time is 1/10 of default values	0x0
[6]	RW	RST_OPT_PWRCYC	RIN_N long-press to trigger power-cycle (only when RST_OPT=0) Value Description 0x0 RIN_N long-press does not trigger power-cycle when RST_OPT=0 0x1 RIN_N long-press triggers power-cycle	0x1
[5]	RW	SHIP_DLY_DIS	Disable SHIP_MODE entry delay Value Description 0x0 SHIP_MODE entry after SHIP_DLY 0x1 SHIP_MODE entry with minimum delay	0x0
[4]	RW	RST_OPT	RIN_N operation options Value Description 0x0 VSYS recovery after SYS_WAIT regardless of RIN_N state 0x1 VSYS recovery after SYS_WAIT on RIN_N rise	0x1
[3]	RW	VBAT_OV_CFG	Disables system shutdown by VBAT_OV Value Description 0x0 Shut-down VSYS on VBAT_OV 0x1 Do not shut-down VSYS on VBAT_OV	0x0
[2]	RW	CHG_TRICKLE_CYC	Trickle charge 50% duty cyclic mode Value Description 0x0 Cyclic mode disabled 0x1 Cyclic mode enabled	0x1
[1:0]	RW	CHG_TRICKLE	Trickle charge current (CHG_TRICKLE_CYC=0/CHG_TRICKLE_CYC=1) (mA)	0x0

1-Cell, 1.5 A Battery Charger PMIC with 20 mA Termination, Ultra-Low IQ Reverse Boost, and I2C

Bit	Type	Field Name	Description	Reset
			Value Description 0x0 5 / 2.5 0x1 14 / 7 0x2 38 / 19 0x3 64 / 32	

Table 61: PMC_LDO_05 (0x0022)

Bit	Type	Field Name	Description	Reset
[7:4]	RW	LDO2_ILIM	VOUT2 current limit (mA) Value Description 0x0 37 0x1 82 0x2 127 0x3 172 0x4 217 0x5 262 0x6 307 0x7 352 0x8 397 0x9 442 0xA 487 0xB 532 0xC 577 0xD 622 0xE 667 0xF 712	0xA
[3:0]	RW	LDO1_ILIM	VOUT1 current limit (mA) Value Description 0x0 37 0x1 82 0x2 127 0x3 172 0x4 217 0x5 262 0x6 307 0x7 352 0x8 397	0xA

1-Cell, 1.5 A Battery Charger PMIC with 20 mA Termination, Ultra-Low IQ Reverse Boost, and I2C

Bit	Type	Field Name	Description	Reset
			0x9 442	
			0xA 487	
			0xB 532	
			0xC 577	
			0xD 622	
			0xE 667	
			0xF 712	

5.2.7 Chip ID

Table 62: OTP_DEVICE_ID (0x0042)

Bit	Type	Field Name	Description	Reset
[7:0]	R	DEV_ID	Device ID	0xE7

Table 63: OTP_VARIANT_ID (0x0043)

Bit	Type	Field Name	Description	Reset
[7:4]	R	MRC	Mask revision code	0x3
[3:0]	R	VRC	Chip variant code	0x0

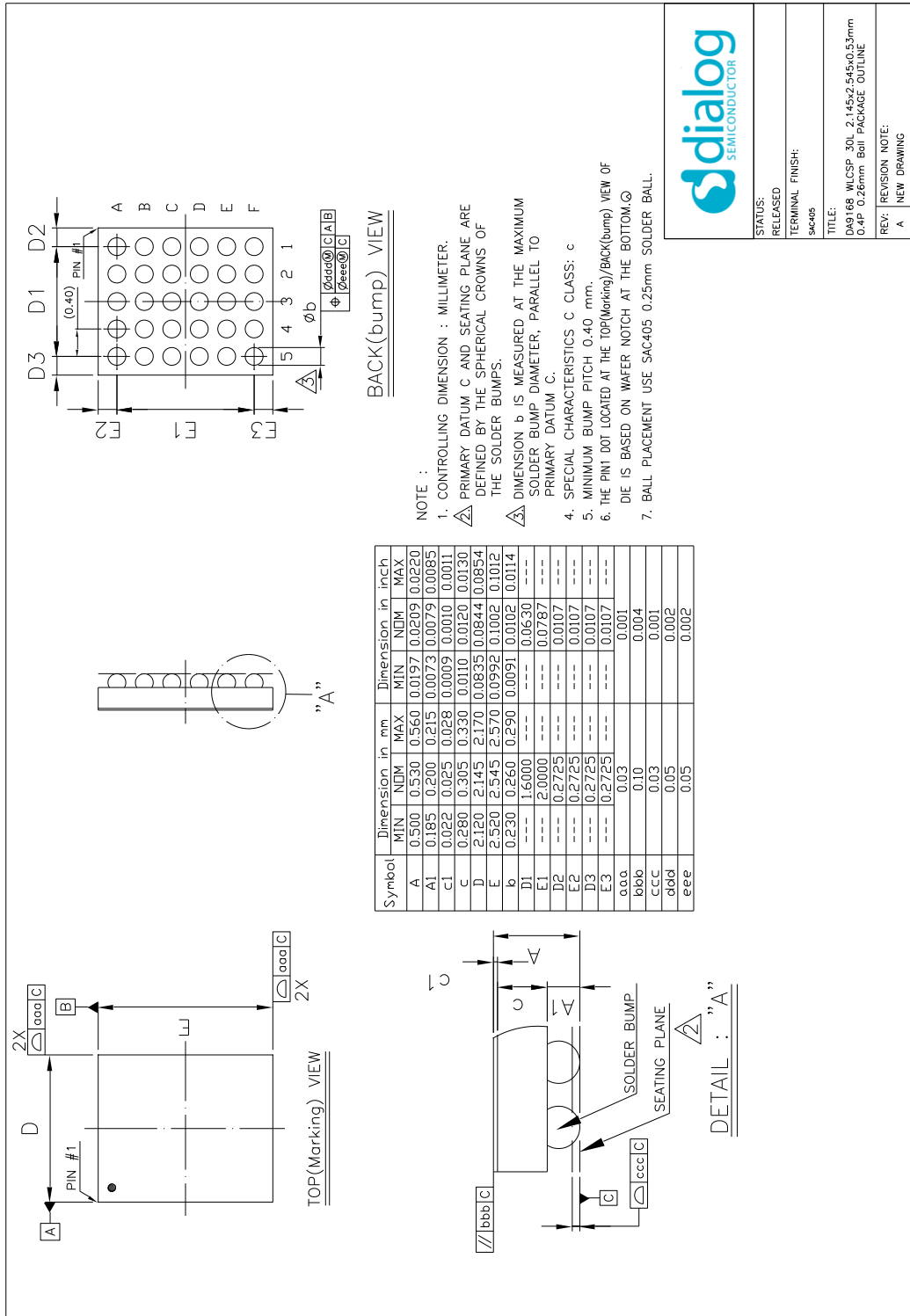
Table 64: OTP_CONFIG_ID (0x0044)

Bit	Type	Field Name	Description	Reset
[7:0]	R	CONFIG_REV	OTP variant code	0xDC

1-Cell, 1.5 A Battery Charger PMIC with 20 mA Termination, Ultra-Low IQ Reverse Boost, and I2C

6 Package Information

6.1 Package Outlines



STATUS:
RELEASED

TERMINAL FINISH:
SAC405

TITLE:
DA9168 WLCSP 30L 2.145x2.545x0.53mm
0.4P 0.26mm Ball PACKAGE OUTLINE

REV: A
REVISION NOTE:
NEW DRAWING

Figure 21: WLCSP Package Outline Diagram

1-Cell, 1.5 A Battery Charger PMIC with 20 mA Termination, Ultra-Low IQ Reverse Boost, and I2C

7 Ordering Information

The ordering number consists of the part number followed by a suffix indicating the packing method. For details and availability, please consult your Renesas [local sales representative](#).

Table 65: Ordering Information

Part Number	Package	Size (mm)	Shipment Form	Pack Quantity
DA9168-xxU72	WLCSP 30L	2.145 x 2.545 x 0.53	Tape and Reel	6000
DA9168-xxU76	WLCSP 30L	2.145 x 2.545 x 0.53	Waffle Pack	550

Where xx represents the OTP variant.

8 Application Information

8.1 Recommended External Components

Component values shown are typical values (not de-rated). For capacitors assume X5R type or better with a DC voltage rating of twice the maximum applied voltage. For inductors, the saturation current rating is equal or greater than the current limit value. The Electrical Specifications are based on the typical values where applicable.

Table 66: Recommended External Components

Parameter	Description	Conditions	Min	Typ	Max	Unit
C _{VBUS}	VBUS capacitance			1.0		μF
C _{VBUS_SNS}	VBUS_SNS capacitance			1.0		μF
C _{VMID}	VMID capacitance			10*2		μF
L _{CHG_LX}	Inductor Buck charger			2.2		μH
C _{BTS}	VBTS capacitance			47		nF
C _{VSYS}	VSYS capacitance			10*2		μF
C _{VBAT}	VBAT capacitance			2.2		μF
C _{VBAT_SNS}	VBAT_SNS capacitance			0.1		μF
C _{REF}	REF output capacitance			4.7		μF
C _{LDO1}	LDO1 output capacitance			2.2		μF
C _{LDO2}	LDO2 output capacitance			2.2		μF

1-Cell, 1.5 A Battery Charger PMIC with 20 mA Termination, Ultra-Low IQ Reverse Boost, and I2C

Status Definitions

Revision	Datasheet Status	Product Status	Definition
1.<n>	Target	Development	This datasheet contains the design specifications for product development. Specifications may be changed in any manner without notice.
2.<n>	Preliminary	Qualification	This datasheet contains the specifications and preliminary characterization data for products in pre-production. Specifications may be changed at any time without notice in order to improve the design.
3.<n>	Final	Production	This datasheet contains the final specifications for products in volume production. The specifications may be changed at any time in order to improve the design, manufacturing and supply. Major specification changes are communicated via Customer Product Notifications. Datasheet changes are communicated via www.dialog-semiconductor.com .
4.<n>	Obsolete	Archived	This datasheet contains the specifications for discontinued products. The information is provided for reference only.

RoHS Compliance

Dialog Semiconductor's suppliers certify that its products are in compliance with the requirements of Directive 2011/65/EU of the European Parliament on the restriction of the use of certain hazardous substances in electrical and electronic equipment. RoHS certificates from our suppliers are available on request.

1-Cell, 1.5 A Battery Charger PMIC with 20 mA Termination, Ultra-Low IQ Reverse Boost, and I2C

Important Notice and Disclaimer

RENESAS ELECTRONICS CORPORATION AND ITS SUBSIDIARIES ("RENESAS") PROVIDES TECHNICAL SPECIFICATIONS AND RELIABILITY DATA (INCLUDING DATASHEETS), DESIGN RESOURCES (INCLUDING REFERENCE DESIGNS), APPLICATION OR OTHER DESIGN ADVICE, WEB TOOLS, SAFETY INFORMATION, AND OTHER RESOURCES "AS IS" AND WITH ALL FAULTS, AND DISCLAIMS ALL WARRANTIES, EXPRESS OR IMPLIED, INCLUDING, WITHOUT LIMITATION, ANY IMPLIED WARRANTIES OF MERCHANTABILITY, FITNESS FOR A PARTICULAR PURPOSE, OR NON-INFRINGEMENT OF THIRD PARTY INTELLECTUAL PROPERTY RIGHTS.

These resources are intended for developers skilled in the art designing with Renesas products. You are solely responsible for (1) selecting the appropriate products for your application, (2) designing, validating, and testing your application, and (3) ensuring your application meets applicable standards, and any other safety, security, or other requirements. These resources are subject to change without notice. Renesas grants you permission to use these resources only for development of an application that uses Renesas products. Other reproduction or use of these resources is strictly prohibited. No license is granted to any other Renesas intellectual property or to any third party intellectual property. Renesas disclaims responsibility for, and you will fully indemnify Renesas and its representatives against, any claims, damages, costs, losses, or liabilities arising out of your use of these resources. Renesas' products are provided only subject to Renesas' Terms and Conditions of Sale or other applicable terms agreed to in writing. No use of any Renesas resources expands or otherwise alters any applicable warranties or warranty disclaimers for these products.

© 2022 Renesas Electronics Corporation. All rights reserved.

(Rev.1.0 Mar 2020)

Corporate Headquarters

TOYOSU FORESIA, 3-2-24 Toyosu

Koto-ku, Tokyo 135-0061, Japan

www.renesas.com

Contact Information

For further information on a product, technology, the most up-to-date version of a document, or your nearest sales office, please visit:

<https://www.renesas.com/contact/>

Trademarks

Renesas and the Renesas logo are trademarks of Renesas Electronics Corporation. All trademarks and registered trademarks are the property of their respective owners.

IMPORTANT NOTICE AND DISCLAIMER

RENESAS ELECTRONICS CORPORATION AND ITS SUBSIDIARIES (“RENESAS”) PROVIDES TECHNICAL SPECIFICATIONS AND RELIABILITY DATA (INCLUDING DATASHEETS), DESIGN RESOURCES (INCLUDING REFERENCE DESIGNS), APPLICATION OR OTHER DESIGN ADVICE, WEB TOOLS, SAFETY INFORMATION, AND OTHER RESOURCES “AS IS” AND WITH ALL FAULTS, AND DISCLAIMS ALL WARRANTIES, EXPRESS OR IMPLIED, INCLUDING, WITHOUT LIMITATION, ANY IMPLIED WARRANTIES OF MERCHANTABILITY, FITNESS FOR A PARTICULAR PURPOSE, OR NON-INFRINGEMENT OF THIRD-PARTY INTELLECTUAL PROPERTY RIGHTS.

These resources are intended for developers who are designing with Renesas products. You are solely responsible for (1) selecting the appropriate products for your application, (2) designing, validating, and testing your application, and (3) ensuring your application meets applicable standards, and any other safety, security, or other requirements. These resources are subject to change without notice. Renesas grants you permission to use these resources only to develop an application that uses Renesas products. Other reproduction or use of these resources is strictly prohibited. No license is granted to any other Renesas intellectual property or to any third-party intellectual property. Renesas disclaims responsibility for, and you will fully indemnify Renesas and its representatives against, any claims, damages, costs, losses, or liabilities arising from your use of these resources. Renesas' products are provided only subject to Renesas' Terms and Conditions of Sale or other applicable terms agreed to in writing. No use of any Renesas resources expands or otherwise alters any applicable warranties or warranty disclaimers for these products.

(Disclaimer Rev.1.01 Jan 2024)

Corporate Headquarters

TOYOSU FORESIA, 3-2-24 Toyosu,
Koto-ku, Tokyo 135-0061, Japan
www.renesas.com

Trademarks

Renesas and the Renesas logo are trademarks of Renesas Electronics Corporation. All trademarks and registered trademarks are the property of their respective owners.

Contact Information

For further information on a product, technology, the most up-to-date version of a document, or your nearest sales office, please visit www.renesas.com/contact-us/.